

PC116 Power Tubing Cutter

RIDGID®

EN	P.	1
FR	P.	15
ES	P.	31
DE	P.	47
NL	P.	63
IT	P.	81
PT	P.	97
SV	P.	115
DA	P.	131
NO	P.	147
FI	P.	163
PL	P.	179
CZ	P.	197
SK	P.	213
RO	P.	229
HU	P.	245
EL	P.	261
HR	P.	279
SL	P.	295
SR	P.	311
RU	P.	327
TR	P.	345
BG	P.	361
KK	P.	379



RIDGE TOOL COMPANY

Table of Contents

Recording Form for Machine Serial Number	1
Safety Symbols	2
General Power Tool Safety Warnings	
Work Area Safety	2
Electrical Safety	2
Personal Safety	3
Power Tool Use and Care	3
Service	3
Specific Safety Information	3
RIDGID Contact Information	4
Description	4
Specifications	5
Standard Equipment	5
Assembly	5
Bench Mounting	5
Pre-Operation Inspection	6
Machine and Work Area Set-Up	6
PC116ST Stand/Adjustment	7
Operating Instructions	8
Adjusting Cutter For Different Tube Sizes	8
Selecting/Changing Operating Speed	8
Cutting Tube	9
Reaming Tube	10
Transportation	10
Storage	10
Maintenance Instructions	
Cleaning	11
Lubrication	11
Changing Cutter Wheel	11
Motor Overcurrent Protection	11
Changing Motor Brushes	11
Troubleshooting	13
Service And Repair	13
Optional Equipment	13
Disposal	14
EC Declaration of Conformity	Inside Back Cover
Lifetime Warranty	Back Cover

*Original Instructions - English

Tubing Cutter

PC116/PTC-400 Power Tubing Cutter



⚠ WARNING!

Read this Operator's Manual carefully before using this tool. Failure to understand and follow the contents of this manual may result in electrical shock, fire and/or serious personal injury.

PC116/PTC-400 Power Tubing Cutter


Record Serial Number below and retain product serial number which is located on name plate.


Serial
No.


--	--


Safety Symbols

In this operator's manual and on the product, safety symbols and signal words are used to communicate important safety information. This section is provided to improve understanding of these signal words and symbols.


 This is the safety alert symbol. It is used to alert you to potential personal injury hazards. Obey all safety messages that follow this symbol to avoid possible injury or death.


 **DANGER** DANGER indicates a hazardous situation which, if not avoided, will result in death or serious injury.


 **WARNING** WARNING indicates a hazardous situation which, if not avoided, could result in death or serious injury.


 **CAUTION** CAUTION indicates a hazardous situation which, if not avoided, could result in minor or moderate injury.


NOTICE NOTICE indicates information that relates to the protection of property.


 This symbol means read the operator's manual carefully before using the equipment. The operator's manual contains important information on the safe and proper operation of the equipment.


 This symbol means always wear safety glasses with side shields or goggles when handling or using this equipment to reduce the risk of eye injury.

 This symbol indicates the risk of electrical shock.

 This symbol indicates the risk of hands, fingers or other body parts being caught or wrapped in rollers or other moving parts.

 This symbol indicates the risk of hands, fingers or other body parts being cut by the rotating or moving parts.

 This symbol indicates the risk of machine tipping, causing striking or crushing injuries.

 This symbol means do not wear gloves while operating this machine to reduce the risk of entanglement.

General Power Tool Safety Warnings*

WARNING

Read all safety warnings, instructions, illustrations and specifications provided with this power tool. Failure to follow all instructions listed below may result in electric shock, fire, and/or serious injury.

SAVE ALL WARNINGS AND INSTRUCTIONS FOR FUTURE REFERENCE!

The term "power tool" in the warnings refers to your mains-operated (corded) power tool or battery-operated (cordless) power tool.

Work Area Safety

- **Keep work area clean and well lit.** Cluttered or dark areas invite accidents.
- **Do not operate power tools in explosive atmospheres, such as in the presence of flammable liquids, gases, or dust.** Power tools create sparks which may ignite the dust or fumes.
- **Keep children and by-standers away while operating a power tool.** Distractions can cause you to lose control.

Electrical Safety

- **Power tool plugs must match the outlet. Never modify the plug in any way. Do not use any adapter plugs with earthed (grounded) power tools.** Unmodified plugs and matching outlets will reduce risk of electric shock.
- **Avoid body contact with earthed or grounded surfaces such as pipes, radiators, ranges and refrigerators.** There is an increased risk of electrical shock if your body is earthed or grounded.
- **Do not expose power tools to rain or wet conditions.** Water entering a power tool will increase the risk of electrical shock.
- **Do not abuse the cord. Never use the cord for carrying, pulling or unplugging the power tool. Keep cord away from heat, oil, sharp edges or moving parts.** Damaged or entangled cords increase the risk of electric shock.
- **When operating a power tool outdoors, use an extension cord suitable for outdoor use.** Use of a cord suitable for outdoor use reduces the risk of electric shock.
- **If operating a power tool in a damp location is unavoidable, use a ground fault circuit interrupter**

* The text used in the General Power Tool Safety Warnings section of this manual is verbatim, as required, from the applicable UL/CSA/EN 62841-1 standard. This section contains general safety practices for many different types of power tools. Not every precaution applies to every tool, and some do not apply to this tool.

(GFCI) protected supply. Use of a GFCI reduces the risk of electric shock.

Personal Safety

- **Stay alert, watch what you are doing and use common sense when operating a power tool. Do not use a power tool while you are tired or under the influence of drugs, alcohol, or medication.** A moment of inattention while operating power tools may result in serious personal injury.
- **Use personal protective equipment. Always wear eye protection.** Protective equipment such as dust mask, non-skid safety shoes, hard hat, or hearing protection used for appropriate conditions will reduce personal injuries.
- **Prevent unintentional starting. Ensure the switch is in the OFF position before connecting to power source and/or battery pack, picking up or carrying the tool.** Carrying power tools with your finger on the switch or energizing power tools that have the switch ON invites accidents.
- **Remove any adjusting key or wrench before turning the power tool ON.** A wrench or a key left attached to a rotating part of the power tool may result in personal injury.
- **Do not overreach. Keep proper footing and balance at all times.** This enables better control of the power tool in unexpected situations.
- **Dress properly. Do not wear loose clothing or jewelry. Keep your hair, and clothing away from moving parts.** Loose clothes, jewelry, or long hair can be caught in moving parts.
- **If devices are provided for the connection of dust extraction and collection facilities, ensure these are connected and properly used.** Use of dust collection can reduce dust-related hazards.
- **Do not let familiarity gained from frequent use of tools allow you to become complacent and ignore tool safety principles.** A careless action can cause severe injury within a fraction of a second.

Power Tool Use and Care

- **Do not force power tool. Use the correct power tool for your application.** The correct power tool will do the job better and safer at the rate for which it is designed.
- **Do not use power tool if the switch does not turn it ON and OFF.** Any power tool that cannot be controlled with the switch is dangerous and must be repaired.

- **Disconnect the plug from the power source and/or the battery pack, if detachable, from the power tool before making any adjustments, changing accessories, or storing power tools.** Such preventive safety measures reduce the risk of starting the power tool accidentally.
- **Store idle power tools out of the reach of children and do not allow persons unfamiliar with the power tool or these instructions to operate the tool.** Power tools are dangerous in the hands of untrained users.
- **Maintain power tools. Check for misalignment or binding of moving parts, breakage of parts and any other condition that may affect the power tool's operation. If damaged, have the power tool repaired before use.** Many accidents are caused by poorly maintained power tools.
- **Keep cutting tools sharp and clean.** Properly maintained cutting tools with sharp cutting edges are less likely to bind and are easier to control.
- **Use the power tool, accessories and tool bits etc. in accordance with these instructions, taking into account the working conditions and the work to be performed.** The use of the power tool for operations different from those intended could result in a hazardous situation.
- **Keep handles and grasping surfaces dry, clean and free from oil and grease.** Slippery handles and grasping surfaces do not allow for safe handling and control of the tool in unexpected situations.

Service

- **Have your power tool serviced by a qualified repair person using only identical replacement parts.** This will ensure that the safety of the power tool is maintained.

Specific Safety Information

WARNING

This section contains important safety information that is specific to this tool.

Read these precautions carefully before using the PC116/PTC-400 Power Tubing Cutter to reduce the risk of electrical shock or other serious injury.

SAVE ALL WARNINGS AND INSTRUCTIONS FOR FUTURE REFERENCE!

Keep this manual with machine for use by the operator.

- **Do not wear gloves or loose clothing when operating Power Tubing Cutter. Keep sleeves and jack-**

ets buttoned. Do not reach across machine. Clothing can be caught by the machine resulting in entanglement.

- **Keep hands away from rotating parts such as rollers, reamer, cutting wheel and tube. Allow parts to come to a complete stop before handling the tool or tube.** This practice will reduce the chance of entanglement in rotating parts.
- **Secure machine to stable bench or stand. Properly support the tubes.** This will reduce the risk of striking and crushing injuries from tipping and falling tube and equipment.
- **Do not cut visibly bent tubing or tubing with fittings attached.** Reduces the risk of excessive vibration and loss of control of the machine and/or tubing.
- **Always wear appropriate eye protection and appropriate personal protective equipment.** Cutting tools can break or shatter. This will reduce the risk of injury.
- **One person must control the work process and the foot switch.** Only the operator should be in the work area when the machine is running. This helps reduce the risk of injury.
- **Read and understand these instructions and the instructions and warnings for all equipment and materials being used before operating this tool to reduce the risk of serious personal injury.**

RIDGID Contact Information

If you have any question concerning this RIDGID® product:

- Contact your local RIDGID® distributor.
- Visit RIDGID.com to find your local RIDGID contact point.
- Contact Ridge Tool Technical Service Department at rttechservices@emerson.com, or in the U.S. and Canada call (800) 519-3456.

Description

The RIDGID® PC116/PTC-400 Power Tubing Cutter is designed to cut ½" to 4" nominal size (12 to 100 mm) metallic and plastic tubing/conduit.

A two speed switch controls the roller speed and a pneumatic foot switch provides ON/OFF control of the motor. A scale is included for tube measurement. The Power Tubing Cutter is lightweight and compact for ease of transport.

An optional reamer is available to remove burrs from the inside of tubing up to 2" (50 mm).

The tubing cutter is not designed for use with pipe.

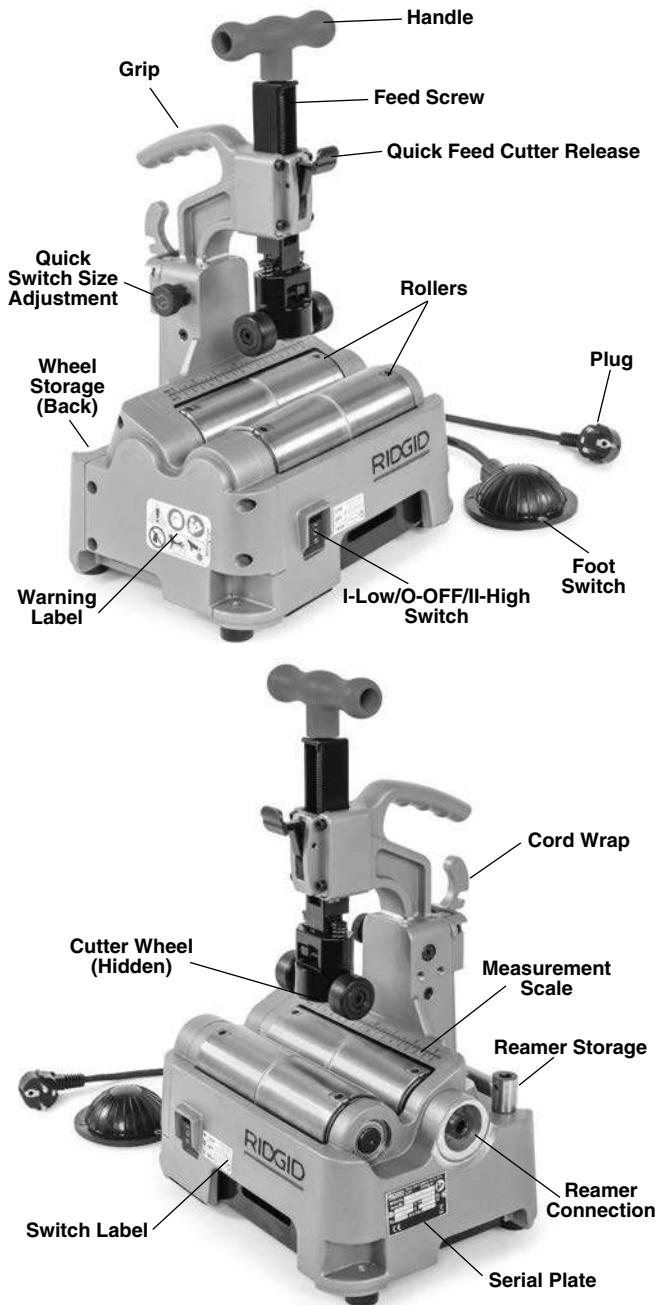


Figure 1 – RIDGID® PC116/PTC-400 Power Tubing Cutter



Figure 2 – Machine Serial Number

The machine serial number is located on the side of the cutter. The last 4 digits indicate the month and year of manufacture. (10 = month, 19 = year).

Specifications

Nominal Tube Size

Cutting Capacity.....½" to 4" (12 mm to 100 mm)

Actual Cutting

Capacity½" to 4.5" (12 mm to 116 mm)

Tube/Conduit Material*	Maximum Wall Thickness	Cutter Wheel	
		E-850 Cat. #66938	E-855 Cat. #66943
Carbon Steel	0.1" (2.5 mm)	X	
Stainless Steel	0.1" (2.5 mm)	X	
Aluminum	0.1" (2.5 mm)	X	
Copper	0.1" (2.5 mm)		X
Plastic	0.23" (6 mm)		X

* General guideline only. Material composition, hardness and other factors affect ability to cut, wheel life, burr formation, etc

Nominal Reaming

Capacity½" to 2" (12 mm to 50 mm)
(optional accessory)

Max. Tube Length20' (6m)

Motor

Type	Universal
Voltage	100-120V 220-240V
Current	5.8 A 3.0A
Frequency	50/60 Hz 50/60 Hz
Power	705W 705W

Refer to on-product serial plate for information specific to unit.

Roller Rotational

Speed.....190/363 RPM for 220-240V,
225/385 RPM for 100-120V

Controls.....I-LOW/O-OFF/II-HIGH Switch
and ON/OFF Foot Switch

Weight.....32 lbs. (14.5 kg)

Overall Dimension

L x W x H.....11.6" x 9.4" x 15.9"
(295 mm x 239 mm x 403 mm)

Operating

Temperature.....-4°F to 122°F (-20°C to 50°C)

Sound Pressure (L_{PA})* ..82.3 dB(A), K=3

Sound Power (L_{WA})*93.3 dB(A), K=3

* Sound measurements are measured in accordance with a standardized test per Standard EN 62481-1.

- Sound emissions may vary due to your location and specific use of these tools.

- Daily exposure levels for sound need to be evaluated for each application and appropriate safety measures taken when needed. Evaluation of exposure levels should consider the time a tool is switched OFF and not in use. This may significantly reduce the exposure level over the total working period.

Standard Equipment

Refer to the RIDGID catalog for details on equipment supplied with specific machine catalog numbers.

NOTICE Selection of appropriate materials and installation, joining and forming methods is the responsibility of the system designer and/or installer. Selection of improper materials and methods could cause system failure.

Stainless steel and other corrosion resistant materials can be contaminated during installation, joining and forming. This contamination could cause corrosion and premature failure. Careful evaluation of materials and methods for the specific service conditions, including chemical and temperature, should be completed before any installation is attempted.

To reduce the risk of ferrous contamination of stainless steel, make sure that the rollers are clean and debris free. Thoroughly clean with a stainless steel brush. Change the cutter wheel and reamer before use with stainless steel material. Best practice is to dedicate a cutter for stainless steel.

Assembly

⚠ WARNING

To reduce the risk of serious injury during use, follow these procedures for proper assembly. Switch should be OFF and machine unplugged before assembly.

Bench Mounting

The machine can be mounted on a level, stable bench. To mount the unit on a bench, unscrew the rubber feet at the four corners of the machine base (See Figure 16) and use M8 bolts to retain machine to the bench. Tighten securely.

Pre-Operation Inspection

⚠ WARNING



Before each use, inspect your Power Tubing Cutter and correct any problems to reduce the risk of serious injury from electric shock, entanglement, crushing injuries and other causes and prevent machine damage.

1. Make sure that the Power Tubing Cutter is unplugged.
2. Clean the machine and equipment, including handles and controls. This aids inspection and helps prevent the machine or control from slipping from your grip. Clean and maintain the machine per the maintenance instructions.
3. Inspect the Power Tubing Cutter for:
 - Inspect the cord and plug for damage or modification.
 - Proper assembly, maintenance and completeness.
 - Any broken, worn, missing, misaligned or binding parts or other damage.
 - Presence and operation of the foot switch. Confirm that foot switch is attached, in good condition, that it cycles smoothly and does not stick.
 - Free movement of feedscrew, cutter wheel and support rollers.
 - Presence and readability of the warning and other labels (*See Figure 1*).
 - Inspect the cutting edges of the cutter wheel and reamer for wear, deformation, chips or other issues. Dull, damaged or loose cutters can damage the tool, produce poor quality cut and increase the risk of injury.
 - If using the PC116TS stand(s), clean, inspect and lubricate as needed.
 - Any condition which may prevent safe and normal operation.

If any problems are found, do not use the tool until the problems have been repaired.

4. Inspect and maintain any other equipment being used per its instructions to make sure it is functioning properly.

Machine and Work Area Set-Up

⚠ WARNING



Set up the Power Tubing Cutter and work area according to these procedures to reduce the risk of serious injury from electric shock, entanglement, crushing injuries and other causes and prevent machine damage.

1. Check work area for:
 - Adequate lighting.
 - Flammable liquids, vapors or dust that may ignite. If present, do not work in area until sources have been identified and corrected. The cutter is not explosion proof and can cause sparks.
 - Clear, level, stable, dry location for all equipment and operator.
 - Properly grounded electrical outlet of the correct voltage. Check machine serial plate for required voltage. A three-prong or GFCI outlet may not be properly grounded. If in doubt, have outlet inspected by a licensed electrician.
2. Inspect the work to be done. Determine the material, type and size of the tube. Determine the correct equipment for the job. *See Specifications section.*
3. Confirm all equipment to be used has been properly inspected and assembled.
4. Place the machine on a flat, level, stable surface. *See "Bench Mounting" in Assembly section.* Confirm that unit is stable and secure.
5. If tube will extend more than 6" (15 cm) beyond the machine, use one or more appropriate stands to support the tube. Place the stands in line with rollers. Longer tube may need more than one stand. Only use stands designed for this purpose. Improper supports or supporting the tube by hand can cause tipping or entanglement injuries. Do not exceed the marked stand capacity. When the cutter and stand are sitting on the same plane, use the RIDGID PC116TS Tube Stand to support the tube.

If working on a bench or other raised work area, a variety of RIDGID Pipe Stands can be used to support the tube. If using the PC116/PTC-400 on the ground, use the RIDGID PC116TS Tube Stand to support the tube. *See Figure 3.*



Figure 3 – Stand placement

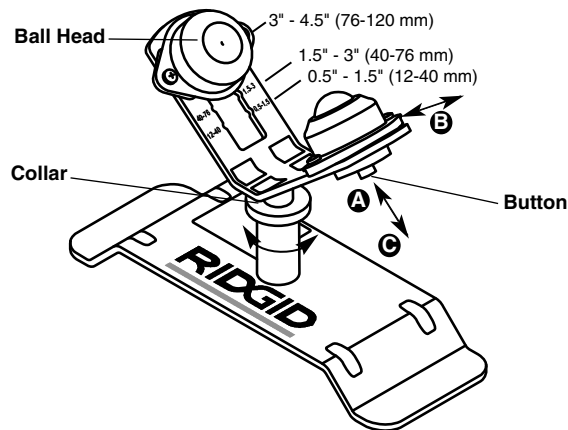


Figure 4 – PC116TS Stand Adjustment

PC116TS Stand/Adjustment

PC116TS Stand is an optional accessory designed for use with PC116/PTC-400 Cutter and not intended for other uses.

To adjust ball heads for tube size:

- Depress button **A**
- Move ball head to proper tube size position (see Figure 4) **B**
- Release button – confirm securely located **C**

To adjust stand height, turn collar to raise or lower stand head. Stand is designed to be placed on the same flat surface as the PC116/PTC-400 Cutter. See Figure 3. If needed, suitable spacers (such as a piece of wood) can be used to raise stand.

- Restrict access or set up guards or barricades to create a minimum of 3 feet (1 m) of clearance around

the machine and tube. This helps prevent non-operators from contacting the machine or tube and reduces the risk of tipping or entanglement.

- Position the foot switch as shown in Figure 8 to allow a proper operating position.
- With the switch in the O-OFF position, run the cord along a clear path. With dry hands, plug the power cord into the properly grounded outlet. Keep all connections dry and off the ground. If the power cord is not long enough, use an extension cord that:
 - Is in good condition.
 - Has a three-prong plug like on the power tubing cutter.
 - Is rated for outdoor use.
 - Has sufficient wire size. For extension cords up to 50' (15.2 m) long use 14 AWG (2.5 mm²) or heavier. For extension cords 50'-100' (15.2 m - 30.5 m) long use 12 AWG (2.5 mm²) or heavier.
- Check the power tubing cutter for proper operation. With hands clear:
 - Move the speed switch to the I-LOW speed position. Press and release the foot switch. The rollers should rotate as indicated by the arrows in Figure 5. If the machine does not rotate in the correct direction, or the foot switch does not control the machine operation, do not use the machine until it has been repaired.
 - Depress and hold the foot switch. Inspect the moving parts for misalignment, binding, odd noises or any other unusual conditions. Remove foot from the foot switch. If any unusual conditions are found, do not use the machine until it has been repaired.



Figure 5 – Roller Direction of Rotation

- Move the speed switch to the O-OFF position, and with dry hands unplug the machine.

Operating Instructions

⚠ WARNING



Do not wear gloves or loose clothing when operating Power Tubing Cutter. Keep sleeves and jackets

buttoned. Do not reach across machine. Clothing can be caught by the machine resulting in entanglement.

Keep hands away from rotating parts such as rollers, reamer, cutting wheel and tube. Allow parts to come to a complete stop before handling the tool or tube. This practice will reduce the chance of entanglement in rotating parts.

Properly support the tubes. This will reduce the risk of striking and crushing injuries from tipping and falling tube and equipment.

One person must control the work process and the foot switch. Only the operator should be in the work area when the machine is running. This helps reduce the risk of injury.

Follow operating instructions to reduce the risk of serious injury from electric shock, entanglement, crushing injuries and other causes and prevent machine damage.

Make sure that machine and work area is properly set up and that the work area is free of bystanders and other distractions. The operator should be the only person in the area while the machine is operated.

Adjusting Cutter For Different Tube Sizes

Quick Switch Size Adjustment

The quick switch size adjustment is provided to quickly adjust between tube size ranges 2" (50mm) and smaller and 2" to 4" (50 mm to 100 mm).

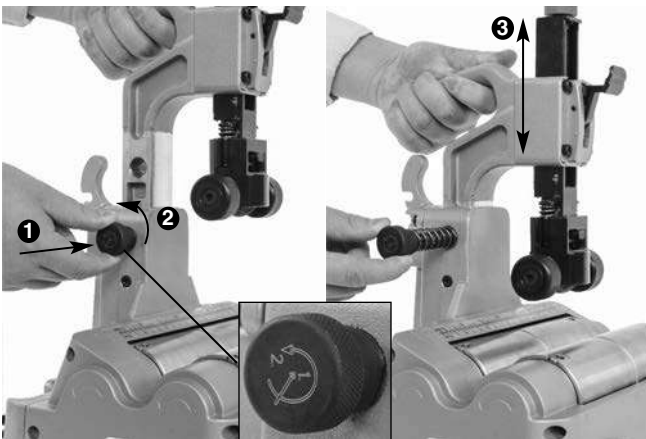


Figure 6 – Quick Switch Size Adjustment

1. With no tube in cutter, grasp grip and release the pin by slightly depressing the knob ① and turning slightly counter-clockwise ②. The knob is spring loaded and will retract, control the movement of the knob. See Figure 6.

2. Using grip, move head to desired position ③.
3. Insert the quick switch knob to retain head in position.

Quick Feed Cutter Adjustment

This quick feed cutter adjustment is used to advance and retract the cutter wheel during cutting operation.

1. To advance the cutter wheel, push the handle down (Figure 7A) until it engages the tube.
2. To retract cutter wheel, loosen the handle/feedscrew 1-2 turns (Figure 7B) and press the release (Figure 7C) to allow it to retract (it is spring loaded – control the movement of the handle).

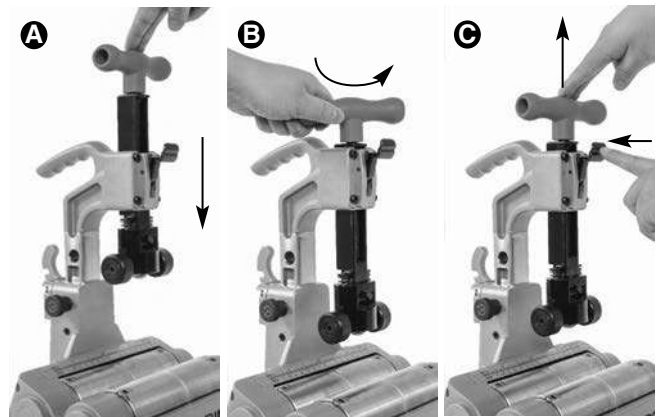


Figure 7 – Quick Feed: A-Advance, B-Loosen, C-Retract

Selecting/Changing Operating Speed

The Power Tubing Cutter has two operating speeds – LOW and HIGH, see Figure 8.

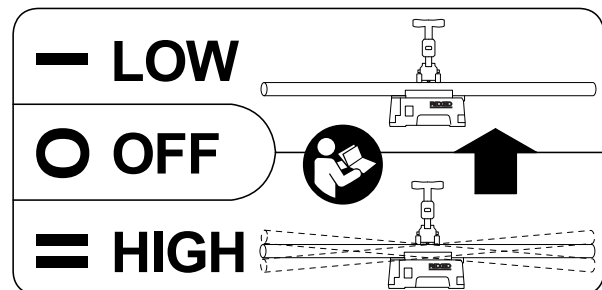


Figure 8 – Speed Label

LOW speed (I-Low switch setting). This decreases the risk of tube vibration and oscillation during use.

Recommended for tube 2" (50mm) diameter and smaller, and longer than 6.5' (2m)

HIGH speed (II-High switch setting). This will lower cutting time.

For tube larger than 2" (50mm) diameter of any length

For any tube shorter than 6.5' (2m)

Tube vibration and oscillation depend on many factors, such as the tube length, size, weight, straightness, stand alignment, roller speed, etc. If at any time you feel the tube is excessively vibrating or oscillating, release the foot switch. If in II-High speed, change to I-Low speed and try again. If in I-Low speed, change to another cutting method for that piece, such as a hand cutter.

To change speeds, release foot switch and allow cutter to come to a complete stop. Move switch to the desired position. Do not change operating speed while machine is running.

Cutting Tube

1. Check that the tubing is not visibly bent and no fittings are attached. Cutting bent tubes or tubes with fittings can result in excessive vibration and loss of control. Use a hand cutter if needed. Mark the tubing at the desired length. For convenience, a measuring scale is provided on the machine.
2. If needed, adjust the power tubing cutter size range with the quick switch size adjustment.
3. Place the tubing on the rollers so that the cutting mark is located under the cutter wheel, on the zero mark of the scale. If the tubing extends beyond the machine, position supports under the tube. Supports should be adjusted so the tube sits squarely on the rollers. This will help insure proper tracking of the cut. *See Figure 3.*
4. Assume a proper operating position to help maintain control of the machine and tube (*see Figure 10*):
 - Be sure you have convenient access to the tools and switch.
 - Be sure that you can control the foot switch. Do not step on foot switch yet. In case of emergency, you must be able to release the foot switch.
 - Be sure that you have good balance and do not have to overreach.
5. Advance the quick feed system until the support rollers contact the tube (*Figure 9*). Align the cutter wheel with the mark on the tubing. Tighten the feed-screw to bring the cutter wheel in contact with the tube. After cutter wheel contacts tube, advance the feedscrew an additional 1 to 1½ turns to grip the tube. Do not over advance the feedscrew, this can oval the pipe and increase burr formation.

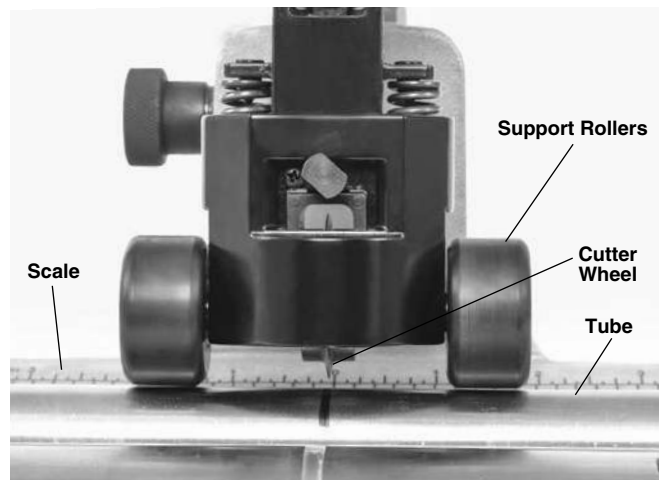


Figure 9 – Support Rollers Contacting Tubing

6. Move the I-Low/O-OFF/II-High switch into the appropriate position for the tube being cut
7. Depress the foot switch. The rollers and the tube will start to rotate. Keep hands way from rotating parts.



Figure 10 – Cutting Tubing

8. Advance the feed screw by slowly and continuously tightening the feedscrew until the tubing is cut. Aggressive cutting can damage the cutter wheel and cause excessive burrs. Maintain the support rollers in contact with the tube to help hold the tube in place.

If the tubing spirals while being cut, stop the cut and check the machine set up, especially the alignment of the tube stands. Different tube materials may need slight additional tightening of the feedscrew to improve tracking.

9. Remove foot from the foot switch. Then move the I-Low/O-OFF/I-High switch into O-OFF position.
10. When tubing stops rotating, loosen the feedscrew 1-2 turns and press the release to fully retract the cutter wheel. Remove the tubing.

Reaming Tube



Figure 11 – Installing Reamer

1. Place the I-Low/O-OFF/I-High switch in the O-OFF Position.
2. Remove the reamer from the storage position and mount in use position as shown in *Figure 11*. Confirm that the reamer is securely mounted.
3. Move the I-Low/O-OFF/I-High switch into I-Low position.
4. Depress the foot switch. Keep hands away from tube ends and rotating parts.
5. Securely grasp the tube. Properly support the tube to help maintain control.
6. Place the tubing over the reamer cone and gently apply pressure (*Figure 12*) to remove burrs from inside of tube end. Do not force the tube into the reamer, this can cause the reamer to grab the tube and spin it in your hands.



Figure 12 – Reaming Tubing

7. Remove foot from the foot switch.
8. Place the I-Low/O-OFF/I-High switch in the O-OFF Position.
9. Remove reamer from use position and return to storage position.

Transportation

1. Remove or secure all loose equipment and material from the machine prior to moving to prevent falling or tipping.
2. Place the cutter wheel in down position.
3. Wrap the power cord and foot switch hose around the cord hook and secure as shown in *Figure 13*.
4. Lift with grip. Use care in lifting and moving. Be aware of the machine weight.



Figure 13 – Cord/Hose Wrapped

Storage

⚠ WARNING The Power Tubing Cutter must be kept dry and indoors or well covered if kept outdoors. Store the machine in a locked area that is out of reach of children and people unfamiliar with Power Tubing Cutter. This machine can cause serious injury in the hands of untrained users.

Maintenance Instructions

⚠ WARNING

Make sure that the switch is in the O-OFF position and the machine is unplugged before performing any maintenance or making any adjustments.

Maintain cutter according to these procedures to reduce the risk of injury from electrical shock, entanglement and other causes.

Cleaning

Gently clean the machine after each use with a clean dry cloth. Keep the rollers clean and free from dirt and debris.

Keep the reamer clean and free from chips for maximum efficiency.

Clean any dust and debris from the motor vents.

Lubrication

On a monthly basis (or more often if needed) lubricate all exposed moving parts of Power Tube Cutter and PC116TS stand (such as feed screw, quick feed system, rollers and pivot points) with a light lubricating oil. Wipe any excess oil from exposed surfaces.

Changing Cutter Wheel

See *Specifications* for proper cutting wheel selection. Change the cutter wheel when cutting different materials, replace the cutter wheel when the cutting edge becomes chipped or flat. An extra cutter wheel can be stored on the unit. See *Figure 13*.

1. Remove the link pin. The wheel holder will drop free (*Figure 14*).

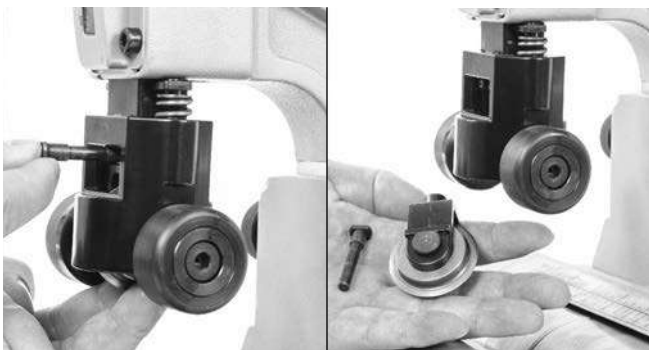


Figure 14 – Removing Wheel Holder

2. Remove wheel pin and cutter wheel/bearing (*Figure 15*).
3. Inspect bearing. Bearing should move freely. Replace if needed.
4. Reverse process to install cutter wheel.



Figure 15 – Changing Cutter Wheel

Motor Overcurrent Protection

The cutter is equipped with overcurrent protection that turns off the machine to protect the motor if it draws excessive current.

If the machine shuts down unexpectedly, release the footswitch. Place the switch in the O-OFF position and unplug the machine. Remove any tube from the machine. Follow the *Pre-Operation Inspection* and *Machine and Work Area Set-up* sections to confirm that the machine works properly.

Changing Motor Brushes

Check motor brushes every six months, the brushes should be changed if the length is less than 5 mm (0.2").

1. Confirm that switch is in the O-OFF position and the machine is unplugged.
2. Loosen the five screws that hold the bottom cover (*Figure 16*) and remove cover (Some screws are retained to cover).
3. Use a screwdriver to unscrew and remove the brush caps (*Figure 17*). Gently remove the carbon brushes and check the length (*Figure 18*). If brush length is less than 5 mm (0.2"), change brushes.
4. Insert brush into brush holder, properly aligning the brush tabs with the reliefs in the brush holder.
5. Securely tighten the brush caps. Reinstall the bottom cover.
6. Once the machine is reassembled, run the machine in the II-High speed for five minutes with no tube in the machine to break in the brushes.

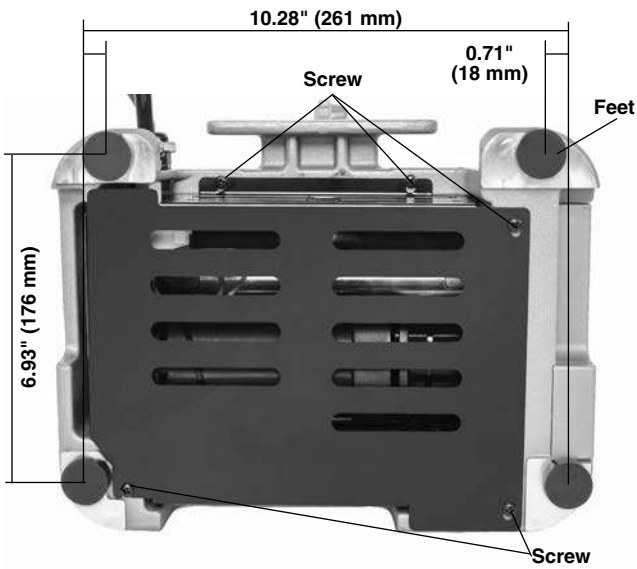


Figure 16 – Bottom Cover Screws

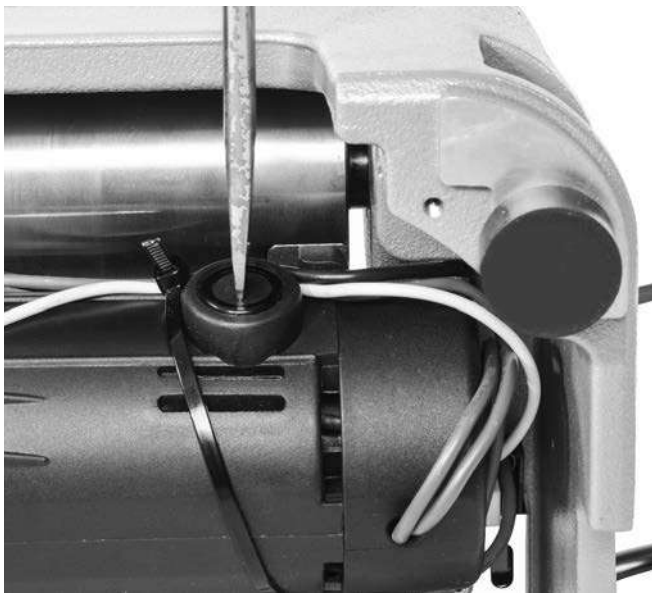


Figure 17 – Removing Brush Cap

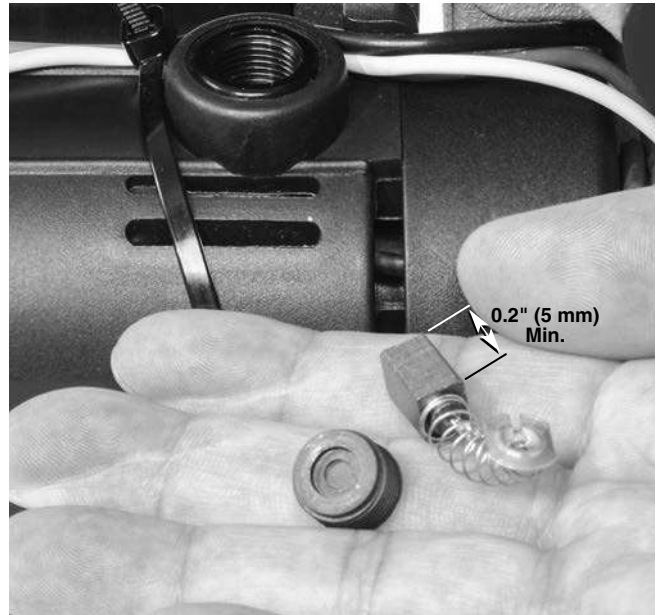


Figure 18 – Inspect Brush Length

Scan the QR code below to access the literature and video of PC116/PTC-400.



Troubleshooting

PROBLEM	POSSIBLE REASONS	SOLUTION
Excessive vibration during operation.	Wrong operating speed. Cutting bent tube. Long tube not properly supported. Machine not properly mounted.	See <i>Selecting Operating Speed</i> . Do not cut visibly bent tube. Use hand cutter. Support long tube with pipe stands. Properly mount the machine on flat surface, bolt with the mounting bolts.
Machine not cutting tubes properly.	Worn cutter wheel. Use on incorrect tube size or material.	Replace worn cutter wheel. Use on correct type of tube (see <i>Specifications</i>).
Machine stalls while cutting.	Agressive feeding of the cutter wheel while cutting.	Gently feed the cutter wheel.
Machine does not operate.	Motor brushes are worn out. Overcurrent protection activated.	Install new motor brushes. Follow <i>Motor Overcurrent instructions</i> in <i>Maintenance</i> section.
Excessive tube burrs or end deformation.	Worn or damaged cutter wheel. Agressive feeding of the cutter wheel while cutting.	Replace cutter wheel. Gently feed the cutter wheel.
Machine stops while foot switch is depressed. Re-starts when foot switch is re-depressed.	Hole in foot switch/hose. Air switch leaks.	Replace foot switch. If no issue found with foot switch/hose, have air switch replaced.

Service and Repair

WARNING

Improper service or repair can make the machine unsafe to operate.

The *Maintenance Instructions* will take care of most of the service needs of this machine. Any problems not addressed by this section should only be handled by a RIDGID Independent Service Center. Use only RIDGID service parts.

For information on your nearest RIDGID Independent Service Center or any service or repair questions see *Contact Information* section in this manual.

Optional Equipment

WARNING

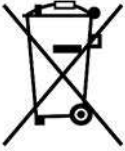
To reduce the risk of serious injury, only use accessories specifically designed and recommended for use with the RIDGID PC116/PTC-400 Power Tubing Cutter, such as those listed.

Catalog No.	Description
64903	PC116TS Tube stand for use with PC116/PTC-400
66253	PC116 220-240V Motor carbon brush
66248	PC116 100-120V Motor carbon brush
56662	VJ-99 28" - 52" V-Head High Pipe Stand
64908	137S Reamer for PC116/PTC-400
66938	E850 Cutter Wheel (For Metallic Tube)
66943	E855 Cutter Wheel (For Plastic Tube)
64898	Cutter Wheel Bearing

For a complete listing of RIDGID equipment available for these tools, see the Ridge Tool Catalog online at RIDGID.com or see *Contact Information*.

Disposal

Parts of these tools contain valuable materials and can be recycled. There are companies that specialize in recycling that may be found locally. Dispose of the components in compliance with all applicable regulations. Contact your local waste management authority for more information.



For EC Countries: Do not dispose of electrical equipment with household waste!

According to the European Guideline 2012/19/EU for Waste Electrical and Electronic Equipment and its implementation into national legislation, electrical equipment that is no longer usable must be collected separately and disposed of in an environmentally correct manner.

Coupe-tubes

Coupe-tubes électrique PC116/PTC-400



AVERTISSEMENT !

Familiarisez-vous avec ce mode d'emploi avant d'utiliser l'appareil. Tout manque de compréhension ou d'adhésion aux consignes ci-après augmenterait les risques de choc électrique, d'incendie et/ou de grave blessure corporelle.

Coupe-tubes électrique PC116/PTC-400

Inscrivez ci-dessous le numéro de série de l'appareil indiqué sur sa plaque signalétique pour future référence.

No de
série

--	--

Table des matières

Fiche d'enregistrement du numéro de série de l'appareil	15
Symboles de sécurité	17
Consignes de sécurité générales visant les appareils électriques	
Sécurité des lieux	17
Sécurité électrique	17
Sécurité individuelle	18
Utilisation et entretien des appareils électriques	18
Service après-vente	19
Consignes de sécurité spécifiques	19
Coordonnées RIDGID®	19
Description	19
Caractéristiques techniques	20
Equipements de base	21
Assemblage	21
Montage sur banc	21
Inspection préalable	21
Préparation de l'appareil et du chantier	22
Installation et réglage du support PC116ST	22
Utilisation de l'appareil	23
Réglage du galet de coupe en fonction de la section du tube	23
Sélection et changement de la vitesse de rotation	24
Coupe des tubes	25
Alésage des tubes	26
Transport	26
Remisage	27
Consignes d'entretien	
Nettoyage	27
Lubrification	27
Remplacement du galet de coupe	27
Protection thermique du moteur	28
Remplacement des balais moteur	28
Dépannage	29
Révisions et réparations	29
Accessoires	29
Recyclage	30
Déclaration CE	Recto de page de garde
Garantie à vie	Page de garde

*Texte d'origine en anglais

Symboles de sécurité

Les symboles et mots clé de sécurité indiqués dans ce manuel et affichés sur l'appareil servent à souligner d'importantes consignes de sécurité. Ce qui suit permettra de mieux comprendre la signification de tels mots clés et symboles.



Ce symbole sert d'avertissement aux dangers physiques potentiels. Le respect des consignes qui le suivent limitera les risques d'accident, dont certains pourraient être mortels.

DANGER

Le terme « DANGER » signale une situation dangereuse qui, si elle n'est pas évitée, entraînera la mort ou de graves blessures corporelles.

AVERTISSEMENT

Le terme « AVERTISSEMENT » signale une situation dangereuse qui, si elle n'est pas évitée, pourrait entraîner la mort ou de graves blessures corporelles.

CAUTION

Le terme « CAUTION » indique une situation dangereuse qui, si elle n'est pas évitée, pourrait occasionner des blessures minimales ou modérées.

AVIS IMPORTANT

Le terme « AVIS IMPORTANT » précède des informations concernant la protection des biens.



Ce symbole indique la nécessité de se familiariser avec le mode d'emploi avant d'utiliser le matériel. Le mode d'emploi renferme d'importantes consignes visant la sécurité et le fonctionnement du matériel.



Ce symbole indique la nécessité de porter des lunettes de sécurité à visières ou étanches et un casque anti-bruit lors de l'utilisation de ce matériel afin de limiter les risques de blessure.



Ce symbole indique un risque de choc électrique.



Ce symbole indique un risque d'écrasement des mains, doigts et autres membres par les galets en rotation.



Ce symbole indique un risque de coupure des mains, doigts et autres membres lors de la rotation du mécanisme.



Ce symbole signale le risque de renversement du matériel et des matériaux et les blessures qu'ils pourraient occasionner.



Ce symbole déconseille le port de gants en cours d'opération afin d'éviter leur embobinage dans le mécanisme.

Consignes de sécurité générales visant les appareils électriques*

AVERTISSEMENT

Familiarisez-vous avec l'ensemble des consignes de sécurité, les instructions, les illustrations et les caractéristiques techniques visant cet appareil électrique. Le non-respect de l'ensemble des consignes ci-dessous augmenterait les risques de choc électrique, d'incendie et/ou de grave blessure corporelle.

Conservez l'ensemble des consignes de sécurité et d'utilisation pour future référence !

Le terme « appareil électrique » utilisé dans les avertissements couvre à la fois les appareils sur secteur et les appareils à piles.

Sécurité des lieux

- **Assurez la propreté et le bon éclairage des lieux.** Les endroits encombrés ou sombres invitent les accidents.
- **Ne pas utiliser d'appareils électriques dans les milieux volatiles tels qu'en présence de liquides,**

gaz ou poussières inflammables. Les appareils électriques produisent des étincelles susceptibles d'enflammer les poussières ou gaz présents.

- **Eloignez les enfants et les curieux lors de l'utilisation d'un appareil électrique.** Les distractions risquent de vous faire perdre le contrôle de l'appareil.

Sécurité électrique

- **La fiche de l'appareil électrique doit correspondre à la prise de courant utilisée. Ne jamais tenter de modifier la fiche de manière quelconque. Ne pas utiliser d'adaptateur sur un appareil équipé d'une fiche de terre.** Les fiches et prises non-modifiées et adaptées les unes aux autres limiteront les risques de choc électrique.
- **Évitez tout contact avec des surfaces reliées à la terre ou à la masse telles que tubeteries, radiateurs, cuisinières ou réfrigérateurs.** Tout contact du corps avec la terre ou une masse augmente les risques de choc électrique.
- **Ne pas exposer les appareils électriques à l'eau ou aux intempéries.** La pénétration d'eau à l'intérieur d'un

* Lorsqu'exigé, la nomenclature utilisée dans la rubrique *Consignes générales de sécurité des appareils électriques* du manuel ci-présent et tiré textuellement de la norme UL/CSA/EN 62841-1 applicable. Cette rubrique couvre la sécurité générale de nombreux types d'appareil électrique différents. La totalité des précautions énoncées ne s'applique pas nécessairement à tous les appareils couverts, et certaines d'entre-elles ne s'appliquent pas à l'appareil ci-présent.

appareil électrique augmentera les risques de choc électrique.

- **Ne pas maltraiter le cordon d'alimentation. Ne jamais utiliser le cordon d'alimentation de l'appareil pour le transporter, le tirer ou le débrancher. Eloignez le cordon des sources de chaleur, de l'huile, des bords tranchants et des mécanismes en marche.** Les cordons d'alimentation endommagés augmentent les risques de choc électrique.
- **Lors de l'utilisation de l'appareil à l'extérieur, prévoyez une rallonge électrique homologuée pour ce type d'emploi.** Cela limitera les risques de choc électrique.
- **S'il est inévitable d'utiliser l'appareil dans des endroits humides, prévoyez une source d'alimentation protégée par disjoncteur différentiel.** La présence d'un disjoncteur différentiel limitera les risques de choc électrique.

Sécurité individuelle

- **Soyez attentif, restez concentré et faites preuve de bon sens lors de l'utilisation de ce type d'appareil. Ne jamais utiliser ce matériel lorsque vous êtes fatigué ou sous l'influence de drogues, de l'alcool ou de médicaments.** Lors de l'utilisation d'un appareil électrique, un instant d'inattention risque d'entraîner de graves lésions corporelles.
- **Prévoyez les équipements de protection individuelle appropriés. Portez systématiquement une protection oculaire.** Selon le cas, le port d'un masque à poussière, de chaussures de sécurité antidérapantes, du casque ou d'une protection auriculaire peut aider à limiter les risques de lésion corporelle.
- **Évitez les démarrages accidentels. Assurez-vous que son interrupteur est éteint avant de brancher l'appareil, y introduire un bloc-piles, le soulever ou le transporter.** Porter un appareil électrique avec son doigt sur l'interrupteur, voire le brancher lorsque son interrupteur est en position « Marche » est une invitation aux accidents.
- **Retirez toute clé ou dispositif de réglage éventuel avant de mettre l'appareil en marche.** Une clé ou tout autre dispositif de réglage engagé sur un élément mécanique pourrait provoquer un accident.
- **Ne vous mettez pas en porte-à-faux. Maintenez une bonne assiette et un bon équilibre à tout moment.** Cela assurera un meilleur contrôle de l'appareil en cas d'imprévu.
- **Habillez-vous de manière appropriée. Ne portez ni accessoires, ni bijoux. Eloignez vos cheveux, vos**

vêtements et vos gants des mécanismes lorsque l'appareil fonctionne. Les foulards, les bijoux et les cheveux longs risquent d'être entraînés par les mécanismes en rotation.

- **Vérifiez le bon raccordement et fonctionnement des aspirateurs de poussière éventuels.** De tels aspirateurs peuvent limiter les risques associés à la dispersion des poussières.
- **Ne permettez pas la familiarité issue d'une utilisation fréquente de l'appareil vous rendre complaisant au point d'ignorer les principes de sécurité applicables.** La moindre inattention peut engendrer de graves blessures corporelles dans une fraction de seconde.

Utilisation et entretien des appareils électriques

- **Ne forcez pas l'appareil. Prévoyez l'appareil le mieux adapté aux travaux envisagés.** Un appareil adapté produira de meilleurs résultats et un meilleur niveau de sécurité lorsqu'il fonctionne au régime prévu.
- **N'utilisez pas d'appareil dont l'interrupteur marche/arrêt ne fonctionne pas correctement.** Tout appareil qui ne peut pas être contrôlé par son interrupteur est considéré dangereux et doit être réparé.
- **Débranchez l'appareil ou retirez son bloc-piles avant tout réglage, remplacement d'outils ou stockage.** De telles mesures préventives aideront à limiter les risques de démarrage accidentel de l'appareil.
- **Rangez les appareils électriques non utilisés hors de la portée des enfants. L'utilisation de cet appareil doit être exclusivement réservé à du personnel ayant reçu une formation adéquate.** Tout appareil électrique peut devenir dangereux entre les mains d'un novice.
- **Assurez l'entretien régulier des appareils électriques et de leurs accessoires. Assurez-vous de l'absence d'éléments grippés ou endommagés, voire toute autre anomalie susceptible de nuire au bon fonctionnement et à la sécurité de l'appareil. Faites réparer tout appareil endommagé avant de le réutiliser.** De nombreux accidents sont le résultat d'appareils mal entretenus.
- **Assurez l'affutage et la propreté des outils de coupe.** Des outils de coupe correctement entretenus et affutés sont moins susceptibles de se gripper et sont plus faciles à contrôler.
- **Utilisez l'appareil, ses accessoires et ses outils selon les consignes ci-présentes, tout en tenant compte des conditions de travail existantes et de la**

nature des travaux envisagés. Toute utilisation de l'appareil à des fins autres que celles prévues augmenterait les risques d'accident.

- **Nettoyez systématiquement les poignées et autres surfaces de prise-en-main de l'appareil.** Des poignées ou autres surfaces glissantes peuvent compromettre la sécurité d'utilisation de l'appareil en cas d'imprévu.

Service après-vente

- **Confiez la révision de l'appareil à un réparateur qualifié pouvant justifier l'emploi de pièces de rechange d'origine.** Cela assurera la sécurité opérationnelle de l'appareil.

Consignes de sécurité spécifiques

⚠ AVERTISSEMENT

La rubrique suivante contient d'importantes consignes de sécurité visant ce type d'appareil en particulier.

Lisez-les soigneusement avant d'utiliser la scie à tubes électrique PC116/PTC-400 afin de limiter les risques de choc électrique et de graves blessures corporelles.

CONSERVEZ CES CONSIGNES POUR FUTURE REFERENCE !

Gardez ce manuel à portée de main de l'utilisateur.

- **Ne portez ni de gants, ni de vêtements amples lors de l'utilisation de cette scie à tubes électriques. Gardez vos manches et blousons boutonnés.** Ne jamais se pencher sur l'appareil. Vos vêtements risqueraient d'être entraînés et de s'y entortiller.
- **Eloignez vos mains des galets, de l'alésoir, du galet de coupe et du tube. Attendez que l'appareil et le tube s'immobilisent avant de les manipuler.** Cela limitera les risques d'enchevêtrement.
- **Montez l'appareil sur un établi ou support stable. Assurez le soutien approprié des tubes.** Cela limitera les risques de renversement du matériel et de la chute du tube.
- **Ne pas tenter de couper des tubes visiblement tordus ou équipés de raccords.** Cela limitera les risques de vibrations excessives et de perte de contrôle de l'appareil et/ou du tube.
- **Portez systématiquement une protection oculaire en plus des équipements de protection individuelle**

appropriés. Les outils de coupe risquent de se briser ou d'éclater. Cela limitera les risques de blessure.

- **Un seul individu doit se charger à la fois du processus de coupe et de la pédale de commande.** Seul l'utilisateur doit se trouver sur site lors du fonctionnement de l'appareil. Cela aidera à limiter les risques de blessure.
- **Afin de limiter les risques d'accident grave, familiarisez-vous avec les consignes ci-présentes, ainsi qu'avec les instructions et avertissements associés à l'ensemble du matériel et des matériaux utilisés.**

Coordonnées RIDGID

En cas que questions visant ce produit RIDGID®, veuillez :

- Consultez le concessionnaire RIDGID® le plus proche.
- Visitez le site RIDGID.com pour localiser le représentant RIDGID le plus proche.
- Consultez les services techniques de Ridge Tool à rttechservices@emerson.com, ou bien, à partir des États-Unis ou du Canada, en composant le (800) 519-3456.

Description

Le coupe-tube électrique RIDGID® PC116/PTC-400 est prévu pour la coupe des tubes et conduits métalliques à parois minces et en matière plastique d'une section nominale de ½" à 4" (12 à 100 mm).

Un commutateur deux-vitesses et un interrupteur marche/arrêt par pédale pneumatique assurent le contrôle du moteur. Une graduation linéaire est comprise pour mesurer le tube. Le coupe-tube électrique est léger et compact, facilitant ainsi son transport.

Un alésoir est également disponible en option pour éliminer les bavures à l'intérieur des tubes d'un diamètre maximal de 2" (50 mm).

Ce coupe-tube n'est pas prévu pour la coupe des tuyaux à parois lourdes.

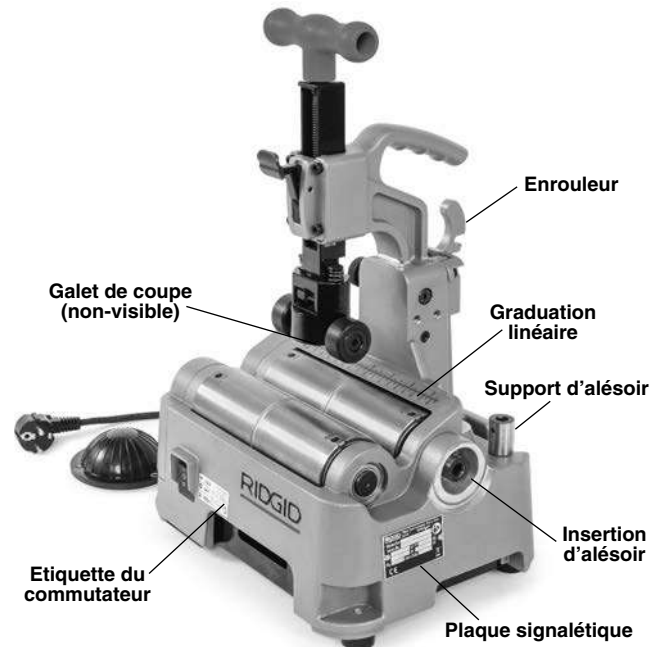


Figure 1 – Coupe-tube électrique RIDGID® PC116/PTC-400

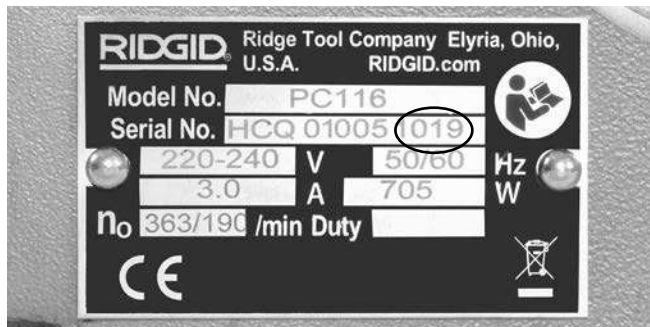


Figure 2 – Plaque signalétique de l'appareil

La plaque signalétique de l'appareil se trouve sur le flan du coupe-tube. Les derniers 4 chiffres indiquent le mois et l'année de fabrication (10 = mois ; 19 = année).

Caractéristiques techniques

Capacité de coupe
(Ø nominal) ½" à 4" (12 mm à 100 mm)

Capacité de coupe
(Ø actuel) ½" à 4,5" (12 mm à 116 mm)

Composition du tube/conduit*	Épaisseur de parois maxi	Galet de coupe	
		E-850 Réf. 66938	E-855 Réf. 66943
Acier	0,1" (2,5 mm)	X	
Acier Inoxydable	0,1" (2,5 mm)	X	
Aluminium	0,1" (2,5 mm)	X	
Cuivre	0,1" (2,5 mm)		X
Matière plastique	0,23" (6 mm)		X

* Désignations génériques. La composition, dureté et autres caractéristiques des matériaux auront une influence sur la capacité et la longévité du galet de coupe, la formation de copeaux, etc.

Capacité d'alésage
nominale..... ½" à 2" (12 mm à 50 mm)
(Accessoire optionnel)

Longueur de
tube maxi..... 20' (6m)

Moteur

Type Universel

Tension
d'alimentation 100 à 120V 220 à 240V

Courant 5,8 A 3,0A

Fréquence 50/60 Hz 50/60 Hz

Puissance..... 705 W 705 W

Se reporter à la fiche signalétique pour les critères spécifiques de l'appareil.

Régime de rotation des galets

d'entraînement 190/363 t/min en 220/240 V
225/385 t/min en 100/120 V

Commandes..... Commutateur Bas
régime/Arrêt/Haut régime
(I/O/II) et pédale de commande
Marche/Arrêt

Poids 32 lbs. (14,5 kg)

Dimensions hors tout

(L x l x H)..... 11,6" x 9,4" x 15,9"
(295 mm x 239 mm x 403 mm)

Limites de température

opérationnelle..... -4°F à 122°F (-20°C à 50°C)

Pression sonore (L_{PA})* 82.3 dB(A), K=3

Puissance sonore (L_{WA}) * ...93.3 dB(A), K=3

* Les niveaux sonores sont mesurés selon la procédure décrite dans la norme EN 62481-1.

- Les émissions sonores peuvent varier selon le lieu et l'utilisation de ce type d'appareil.
- Les taux d'exposition sonore quotidiens doivent être évalués pour chaque application afin de déterminer les mesures de protection éventuellement nécessaires. Cette évaluation doit comprendre les temps morts durant lesquelles l'appareil est éteint, ce qui pourrait significativement limiter les taux d'exposition au cours de la durée de la période de travail concernée.

Equipements de base

Reportez-vous au catalogue RIDGID pour la description détaillée des équipements fournis avec l'appareil en question selon son numéro de catalogue.

AVIS IMPORTANT Il appartient au bureau d'études et/ou à l'installateur de sélectionner les matériaux et méthodes d'installation, de raccordement et de façonnage appropriés. Le choix de matériaux et de méthodes inappropriés risquerait d'entraîner la défaillance du réseau.

L'acier inoxydable et autres matériaux anti-corrosion risquent d'être contaminés en cours d'installation, raccordement et façonnage. Une telle contamination augmenterait les risques de corrosion et de défaillance prématurée. Il convient donc d'examiner de près les matériaux et méthodes utilisés en fonction des conditions de service anticipées, notamment en ce qui concerne la température et composition chimique des effluents, avant toute tentative d'installation.

Nettoyez l'ensemble des galets soigneusement à l'aide d'une brosse en acier inoxydable afin de limiter les risques de contamination ferreuse des tubes en acier inoxydable. Remplacez le galet de coupe et l'alésoir lors de la coupe de tubes en acier inoxydable avec, de préférence, un galet de coupe dédié exclusivement à l'acier inoxydable.

Assemblage

⚠ AVERTISSEMENT

Respectez les consignes d'assemblage ci-après afin de limiter les risques de grave blessure corporelle en cours d'utilisation de l'appareil. L'appareil doit être éteint et débranché avant son assemblage.

Montage sur établi

Cet appareil peut être monté sur un établi stable et de niveau. Pour ce faire, dévissez les quatre patins en caoutchouc de son embase (*Figure 16*), puis remplacez-les par des boulons M8 pour l'arrimer à l'établi en les serrant à fond.

Inspection préalable

⚠ AVERTISSEMENT



Avant chaque utilisation, examinez le coupe-tube électrique afin de corriger toute anomalie éventuelle qui pourrait l'endommager et augmenter les risques de choc électrique, enchevêtrement, traumatisme et autres blessures graves.

1. Vérifiez que le coupe-tube électrique est débranché.
2. Nettoyez l'ensemble des composants de l'appareil, y compris ses poignées et commandes. Cela facilitera son inspection et limitera les risques de perte de contrôle du coupe-tube en cours d'utilisation. Nettoyez et maintenez l'appareil selon les consignes d'entretien.
3. L'inspection du coupe-tube électrique doit comprendre :
 - L'examen de son cordon d'alimentation et sa fiche pour signes de détérioration ou de modification.
 - L'assemblage, entretien et intégralité de l'appareil.
 - La présence d'éléments brisés, usés, manquants, désalignés ou grippés, ainsi que toute autre anomalie.
 - La présence et fonctionnement de la pédale de commande. Vérifiez que la pédale de commande est correctement raccordée, en bon état de marche et qu'elle cycle normalement sans accros.
 - Le libre mouvement de la vis d'avancement, du galet de coupe et des galets d'entraînement.
 - La présence et lisibilité des avertissements et autres indications apposés sur l'appareil (*Figure 1*).
 - L'examen du galet de coupe et de l'alésoir pour signes d'usure, déformation, ébréchure ou autres anomalies. Les galets de coupes émoussés, endommagés ou desserrés peuvent endommager l'appareil, nuire à la qualité de coupe et augmenter les risques d'accident.
 - Le cas échéant, le nettoyage, inspection et lubrification des porte-tube PC116TS utilisés.
 - Toute anomalie susceptible de nuire à la sécurité et au fonctionnement normal de l'appareil.

Toute anomalie constatée devra être corrigée avant future utilisation de l'appareil.
4. Inspectez et maintenez tout autre matériel utilisé selon les consignes applicables afin d'assurer qu'il fonctionne correctement.

Préparation de l'appareil et du chantier

⚠ AVERTISSEMENT



Préparez l'appareil et le chantier selon les consignes suivantes afin de limiter les risques de choc électrique, enchevêtrement, écrasement, traumatismes et détérioration du matériel.

Préparez l'appareil et le chantier selon les consignes suivantes afin de limiter les risques de choc électrique, enchevêtrement, écrasement, traumatismes et détérioration du matériel.

- L'examen préalable du chantier doit assurer :
 - La présence d'un éclairage suffisant.
 - L'absence de liquides, vapeurs ou poussières inflammables. Le cas échéant, il sera nécessaire d'identifier et éliminer leur source avant toute intervention. Ce coupe-tube n'est pas blindé et risque de produire des étincelles.
 - La présence d'une surface dégagée, plane, de niveau et sèche pour recevoir à la fois l'ensemble du matériel et son utilisateur.
 - La présence d'une prise de courant avec terre appropriée. La tension d'alimentation nécessaire est indiquée sur la fiche signalétique de l'appareil. En cas de doute visant la mise à la terre d'une prise de courant avec terre ou d'une prise équipée d'un disjoncteur différentiel, consultez un électricien.
- La préparation de l'appareil dépend de la composition et section du tube concerné. Reportez-vous au chapitre *Caractéristiques techniques*.
- Vérifiez que l'ensemble du matériel utilisé ait été correctement inspecté et assemblé.
- Montez l'appareil sur une surface plane, de niveau et stable selon les indications du chapitre *Assemblage* et vérifiez son enclenchement et sa stabilité.

- Si le tube déborde de plus de 6" (15 cm) de l'appareil, prévoyez un ou plusieurs porte-tubes appropriés. Positionnez les porte-tubes dans l'alignement des galets d'entraînement. Prévoyez plusieurs porte-tubes pour les tubes de grande longueur. Utilisez exclusivement des porte-tubes adaptés. Un soutien inapproprié ou manuel du tube augmenterait les risques de renversement de l'appareil et d'enchevêtrement de l'utilisateur. Ne pas excéder la capacité du porte-tubes. Lorsque le coupe-tube et le porte-tubes se trouvent sur la même surface, utilisez le porte-tubes RIDGID PC116TS pour soutenir le tube.

Lorsque l'appareil est monté sur établi ou autre support élevé, le tube peut être soutenu par une variété de porte-tubes RIDGID. Lors de l'utilisation du PC116/

PTC-400 à même le sol, utilisez le porte-tubes RIDGID PC116TS pour soutenir le tube (Figure 3).



Figure 3 – Positionnement des porte-tubes

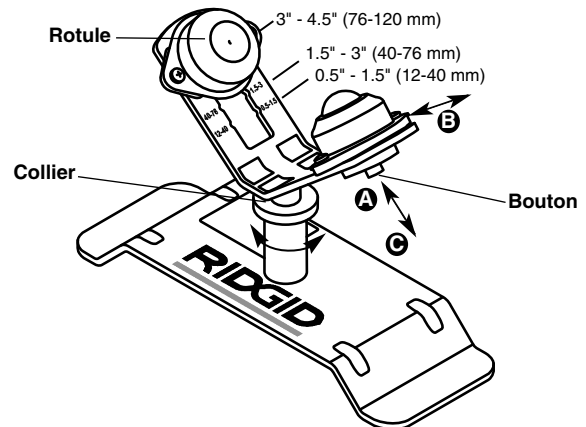


Figure 4 – Réglage du porte-tubes PCC116TS

Porte-tubes PC116TS et son réglage

Le porte-tubes PC116TS est un accessoire optionnel prévu spécifiquement pour le coupe-tube PC116/PTC-400, à l'exclusion de tout autre usage.

Réglage de la rotule en fonction de la section du tube :

- Appuyez sur bouton **A**
- Alignez le support de rotule avec le repère de section de tube approprié (Figure 4) **B**
- Lâchez le bouton et vérifiez l'engagement du support **C**

Régalez la hauteur du porte-tubes en tournant son collier. Ce porte-tubes est normalement posé sur la même surface plane que le coupe-tube PC116/PTC-400 (Figure 3). Au besoin, un compensateur approprié, tel qu'un morceau de bois, peut servir à le rehausser.

6. Limitez l'accès au chantier ou établissez un périmètre d'un minimum de 3' (1 m) autour de l'appareil et du tube à l'aide de gardes ou de barricades. Cela aidera à empêcher les tiers d'entrer en contact avec l'appareil ou le tube et limitera les risques de renversement et d'enchevêtrement.
7. Positionnez la pédale de commande comme indiqué à la *Figure 8* afin d'assurer une position de travail appropriée.
8. Avec le commutateur en position O-OFF, acheminez le cordon d'alimentation le long d'un passage dégagé. Avec les mains sèches, branchez le cordon sur une prise avec terre appropriée. Gardez l'ensemble des connecteurs au sec et surélevés. Si la longueur du cordon d'alimentation de l'appareil est insuffisante, prévoyez une rallonge électrique :
 - en bon état de fonctionnement,
 - équipée d'une fiche à trois barrettes identique à celle du coupe-tube,
 - homologuée pour utilisation aux intempéries,
 - de section suffisante. Au moins 14AWG (2,5 mm²) jusqu'à 50' (15,2 m) de longueur et 12AWG (4 mm²) pour les rallonges de 50' à 100' (15,2 à 30,5 m).
9. Eloignez vos mains et vérifiez le fonctionnement du coupe-tubes :
 - Mettez le commutateur en position I-LOW (petite vitesse), puis appuyez momentanément sur la pédale de commande. Les galets d'entraînement devraient alors tourner dans le sens des flèches indiqué à la *Figure 5*. Si les galets tournent en sens inverse, ou que la pédale de commande ne contrôle pas le fonctionnement de l'appareil, faites réviser l'appareil avant de l'utiliser à nouveau.
 - Appuyez sur la pédale de commande. Tenez-la ainsi le temps de vous assurer que le mécanisme fonctionne sans désalignement, grippage, bruits bizarres, ou autres anomalies avant de la relâcher. En cas d'anomalie constatée, faites réparer l'appareil avant de l'utiliser à nouveau.



Figure 5 – Sens de rotation des galets d'entraînement

10. Mettez le commutateur à la position O-OFF et, avec les mains sèches, débranchez-le.

Consignes d'utilisation

⚠ AVERTISSEMENT



Ne portez ni gants ni vêtements amples lors de l'utilisation du coupe-tube électrique. Gardez vos manches et blousons boutonnés. Ne vous penchez pas sur l'appareil. Vos vêtements risqueraient alors d'être entraîné par le mécanisme et de s'y entortiller.

Eloignez vos mains des éléments en rotation tels que les galets d'entraînement, l'alésoir, le galet de coupe et le tube. Attendez leur arrêt avant de tenter de les manipuler. Cela limitera les risques d'enchevêtrement dans le mécanisme.

Soutenez les tubes de manière appropriée. Cela limitera les risques de blessure occasionnée par le renversement du matériel ou du tube.

Un seul individu doit contrôler à la fois le processus de coupe et la pédale de commande. Seul son utilisateur doit se trouver sur site lors du fonctionnement de l'appareil. Cela aidera à limiter les risques d'accident.

Respectez les consignes d'utilisation suivantes afin de limiter les risques de choc électrique, enchevêtrement, écrasement des membres et autres accidents, et prévenir la défaillance du matériel.

Assurez-vous que l'appareil et le site ont été correctement installés et qu'il n'y a ni curieux ni autres distractions dans la zone de travail. L'utilisateur doit être seul dans la zone lorsque l'appareil fonctionne.

Réglage du coupe-tube en fonction de la section des tubes

Réglage rapide

Le système de réglage rapide permet d'osciller entre les tubes de 2" (50 mm) de diamètre ou moins, et ceux de 2" à 4" (50 à 100 mm).

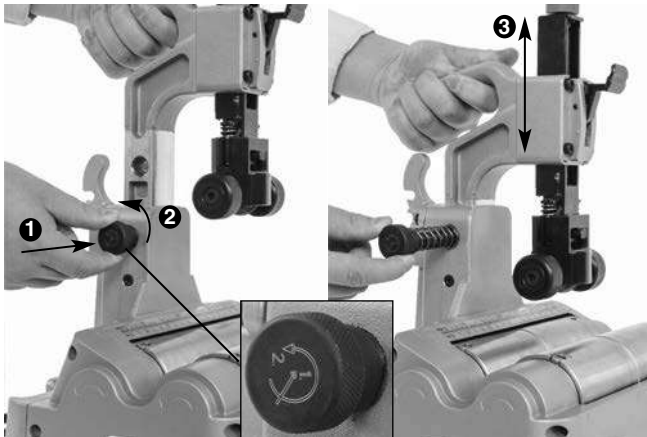


Figure 6 – Réglage rapide de diamètre

1. Tenez la poignée de l'appareil d'une main, puis délogez la broche en appuyant légèrement sur sa molette ❶ tout en la tournant légèrement à gauche ❷. Puisque la broche est sous ressort, il faudra la retenir (Figure 6).
2. Utilisez la poignée pour repositionner la tête de coupe à la position voulue ❸.
3. Réengagez la broche pour verrouiller la tête de coupe en position.

Réglage rapide de l'engagement et désengagement du galet de coupe

Le réglage rapide de l'engagement et désengagement du galet de coupe sert à engager et dégager le galet de coupe en cours d'opération.

1. Pour engager le galet de coupe contre le tuyau, appuyez sur la manette de la vis d'avancement jusqu'à ce que le galet entre en contact avec le tube (Figure 7A).
2. Pour retirer le galet de coupe, desserrez la manette de la vis d'avancement d'un ou deux tours (Figure 7B), puis appuyez sur sa languette de déverrouillage (Figure 7C) tout en gardant l'appui sur la manette afin de contrôler le ressort de renvoi de la vis.

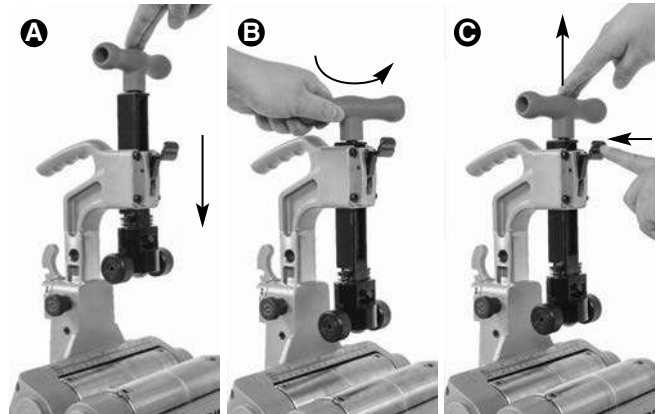


Figure 7 – Engagement rapide : A-Engagement, B-Desserrage, C-Dégagement

Sélection de la vitesse de rotation

Ce coupe-tube électrique offre deux régimes de rotation – « LOW » (basse vitesse) et « HIGH » (haute vitesse) comme indiqué à la Figure 8.

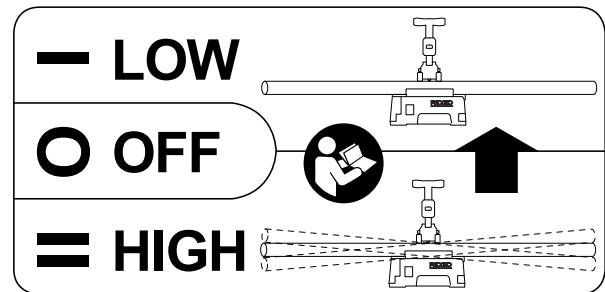


Figure 8 – Etiquette de vitesse de rotation

La position « I-LOW » (basse vitesse) du commutateur diminue les risques de vibration et d'oscillation du tube en cours de coupe, notamment pour les tubes de 2" (50 mm) ou moins de diamètre et de moins de 6,5' (2 m) de longueur.

La position « HIGH » (haute vitesse) sert à diminuer le temps de coupe des tubes de 2" (50 mm) ou plus de diamètre, notamment pour ceux de moins de 6,5' (2 m).

La vibration et l'oscillation des tubes dépend de plusieurs facteurs tels que la longueur, le diamètre, le poids et la déformation éventuelle du tube, l'alignement des portetubes, la vitesse de rotation des galets d'entraînement, etc. En cas de vibration ou d'oscillation excessive, lâchez la pédale de commande. Si l'appareil tournait à haute vitesse (II-HIGH), mettez-le en basse vitesse (I-LOW) et essayez à nouveau. S'il était déjà en basse vitesse (I-LOW), employez une autre méthode de coupe, telle qu'un coupe-tube manuel.

Pour changer de vitesse, lâchez la pédale de commande et attendez que le coupe-tube s'arrête de tourner avant de mettre commutateur à la position voulue. Ne jamais tenter de changer de vitesse lorsque l'appareil tourne.

Coupe des tubes

1. Vérifiez que le tube est rectiligne et nu de raccords. La coupe de tubes tordus ou équipés de raccords augmenterait les risques de vibration et de perte de contrôle de l'appareil. Au besoin, servez-vous d'un coupe-tube manuel. Marquez le tube à la longueur de coupe voulue. La graduation du coupe-tube permettra de mieux la préciser.
2. Au besoin, réglez le diamètre de coupe à l'aide du système de réglage rapide.
3. Posez le tube sur les galets d'entraînement du coupe-tube avec son repère de coupe face au point zéro de la graduation. Si le tube s'étend au-delà du coupe-tube, soutenez-le à l'aide de porte-tubes. Le cas échéant, les porte-tubes doivent être positionnés de manière à reposer le tube sur et dans l'alignement des galets d'entraînement. Cela assurera la coupe franche et d'équerre du tube (*Figure 3*).
4. Adoptez la position de travail appropriée afin de mieux contrôler l'appareil et le tube (*Figure 10*) afin de :
 - Pouvoir accéder facilement aux outils et l'interrupteur.
 - Pouvoir atteindre la pédale de commande. Ne pas appuyez sur la pédale de commande pour l'instant. En cas d'urgence, vous devez pouvoir relâcher la pédale.
 - Pouvoir maintenir votre équilibre sans avoir à vous pencher sur l'appareil.
5. Rabaissez le système d'engagement rapide jusqu'à ce que les rouleaux de la tête de coupe reposent sur le tube (*Figure 9*). Alignez le galet de coupe sur le repère inscrit sur le tube, puis serrez la vis d'avancement pour l'amener contre le tube avant d'y ajouter entre 1 et 1,5 tours pour l'engager. Ne pas serrer la vis d'avancement au point d'ovaliser le tube ou créer des bavures.

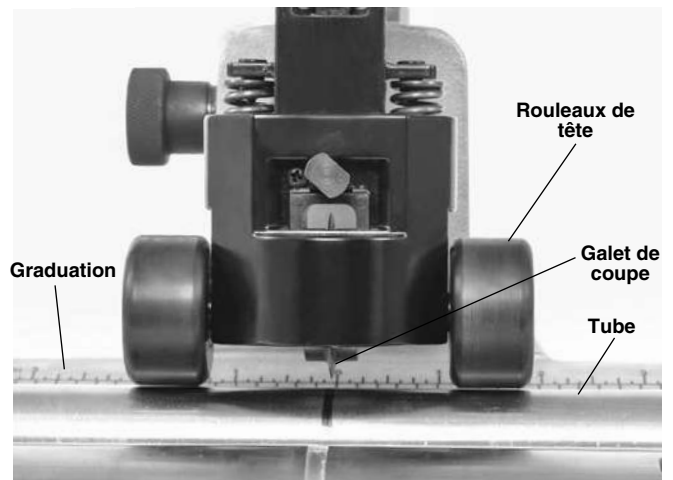


Figure 9 – Rouleau de tête de coupe en contact avec le tube

6. Mettez le commutateur I-LOW/O-OFF/II-HIGH à la position appropriée en fonction du type de tube.
7. Appuyez sur la pédale de commande. Les galets d'entraînement et le tube commenceront à tourner. Eloignez vos mains des mécanismes.



Figure 10 – Coupe des tubes

8. Serrez la vis d'avancement lentement et progressivement pour sectionner le tube. Un serrage trop agressif risque d'endommager le galet de coupe et provoquer des bavures excessives. Maintenez un appui constant sur les rouleaux de la tête de coupe afin de garder le tube en place.

Si le tube se met à vriller en cours de coupe, arrêtez sa coupe et vérifiez l'installation de l'appareil, notamment au niveau de l'alignement des porte-tubes. Certaines compositions de tube risquent de nécessiter un serrage supplémentaire de la vis d'avancement pour maintenir une coupe rectiligne.

9. Lâchez la pédale de commande, puis mettez le commutateur I-LOW/O-OFF/II-HIGH en position O-OFF.
10. Lorsque le tube a cessé de tourner, desserrez la vis d'avancement d'un à deux tours, puis appuyez sur la gâchette du galet de coupe pour le dégager afin de retirer le tube.

Alésage du tube



Figure 11 – Montage de l'alésoir

1. Mettez le commutateur I-LOW/O-OFF/II-HIGH à la position à la position O-OFF.
2. Retirez l'alésoir de son pignon de rangement, puis montez le en position comme indiqué à la Figure 11. Assurez-vous qu'il est bien engagé.
3. Mettez le commutateur I-LOW/O-OFF/II-HIGH à la position I-LOW.
4. Appuyez sur la pédale de commande. Eloignez vos mains des extrémités du tube et des éléments en rotation.
5. Tenez le tube fermement et soutenez-le de manière appropriée afin de pouvoir le contrôler.
6. Engagez le tube sur le cône de l'alésoir en l'avançant délicatement juste assez pour éliminer les bavures à l'intérieur de l'extrémité du tube (Figure 12). Ne forcez pas le tube contre l'alésoir, car l'alésoir risquerait de le gripper et le faire tourner entre vos mains.



Figure 12 – Alésage du tube

7. Lâchez la pédale de commande.
8. Mettez le commutateur I-LOW/O-OFF/II-HIGH à la position O-OFF.
9. Retirez l'alésoir et remettez-le sur son pignon.

Transport

1. Enlevez ou verrouillez tout accessoire ou équipement éventuel avant de déplacer l'appareil afin de limiter les risques de chute et de renversement.
2. Rabaissez le galet de coupe.
3. Enroulez le cordon d'alimentation et le flexible de la pédale de commande comme indiqué à la Figure 13.
4. Soulevez le coupe-tube par sa poignée en tenant compte de son poids lors de sa manipulation.



Figure 13 – Cordon et flexible enroulés

Remisage

⚠ AVERTISSEMENT Ce coupe-tube électrique doit être maintenu au sec et à l'intérieur, ou suffisamment bien protégé contre les intempéries. Rangez l'appareil dans un local sous clé et hors de portée des enfants et des individus non familiers avec son fonctionnement. Cet appareil peut occasionner de graves blessures s'il tombe entre les mains de novices.

Entretien de l'appareil

⚠ AVERTISSEMENT

Débranchez l'appareil et assurez-vous que son commutateur est en position O-OFF avant son entretien ou réglage.

Respectez les consignes d'entretien suivantes afin de limiter les risques de choc électrique, enchevêtrement et autres blessures.

Nettoyage

Essuyez l'appareil en fin de chantier avec un chiffon doux et sec afin d'éliminer toutes traces de débris et de salissure, notamment au niveau des galets.

Nettoyez l'alésoir soigneusement afin d'assurer un maximum d'efficacité.

Éliminez toutes traces de poussière et débris des orifices de ventilation du moteur.

Lubrification

Lubrifiez la vis d'avancement, le système d'avancement rapide, les galets et les articulations du coupe-tube électrique et son support PC116TS à l'aide d'une huile minérale légère mensuellement ou plus souvent si nécessaire. Essuyez les surfaces exposées afin d'éliminer toutes traces d'huile excédentaire.

Remplacement du galet de coupe

Reportez-vous à la rubrique *Caractéristiques techniques* pour la sélection du type de galet de coupe approprié. Changez de galet de coupe en fonction de la composition du tube, et remplacez-le dès qu'il devient ébréché ou émoussé. L'appareil peut accommoder un galet de coupe de secours (Figure 13).

1. Retirez la cheville de la coulisse pour libérer le porte-galet (Figure 14).



Figure 14 – Retrait du porte-galet

2. Retirez l'axe et l'ensemble galet/roulement du porte-galet (Figure 15).
3. Vérifiez le libre mouvement du roulement et remplacez-le au besoin.
4. Inversez le processus pour réinstaller le galet de coupe.



Figure 15 – Remplacement du galet de coupe

Protection de surcharge électrique du moteur

Le moteur du coupe-tube est équipé d'un dispositif d'arrêt automatique en cas de surcharge électrique.

Si l'appareil s'arrête soudainement, lâchez la pédale de commande. Mettez le commutateur à la position O-OFF et débranchez l'appareil. Retirez tout tube éventuel. Suivez les consignes des rubriques *Inspection préalable* et *Préparation de l'appareil et du chantier* pour vérifier le bon fonctionnement de l'appareil.

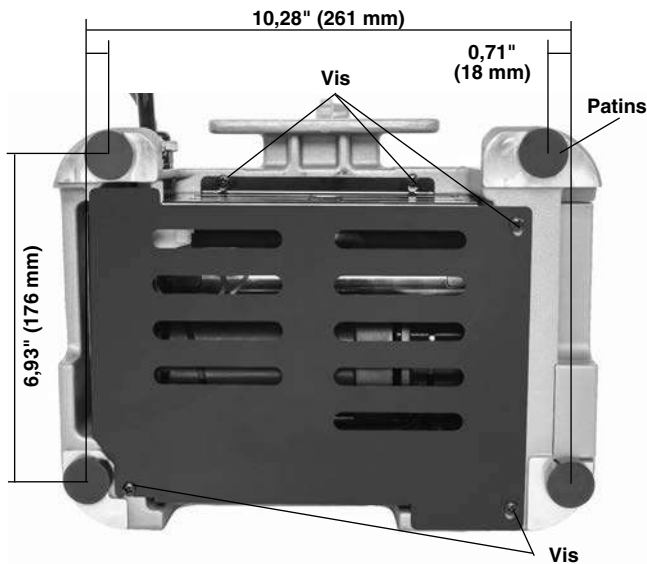


Figure 16 – Vis du carter inférieur

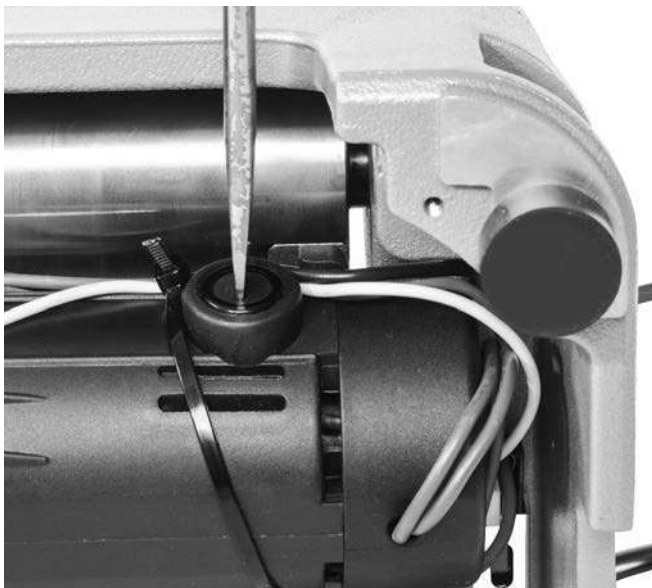


Figure 17 – Retrait des capuchons de logement de balais

Remplacement des balais moteur

Examinez les balais du moteur tous les six mois et remplacez-les dès qu'ils sont usés à moins de 5 mm (0,2").

1. Mettez le commutateur à la position O-OFF et débranchez l'appareil.
2. Desserrez les cinq vis du carter inférieur (Figure 16), puis retirez le carter. Notez que certaines de ces vis restent attachées au carter.
3. Servez-vous d'un tournevis pour dévisser et retirer les capuchons des logements de balais (Figure 17). Retirez délicatement les balais et mesurez-les (Figure 18). S'il en reste moins de 5 mm (0,2"), remplacez-les.
4. Introduisez les balais dans leurs logements en alignant leurs languettes sur les redans des logements.
5. Serrez les capuchons à fond, puis réinstallez le carter inférieur.
6. Une fois l'appareil réassemblé, faites-le tourner avec le commutateur en position II-HIGH pendant cinq minutes sans tube afin de roder les balais.

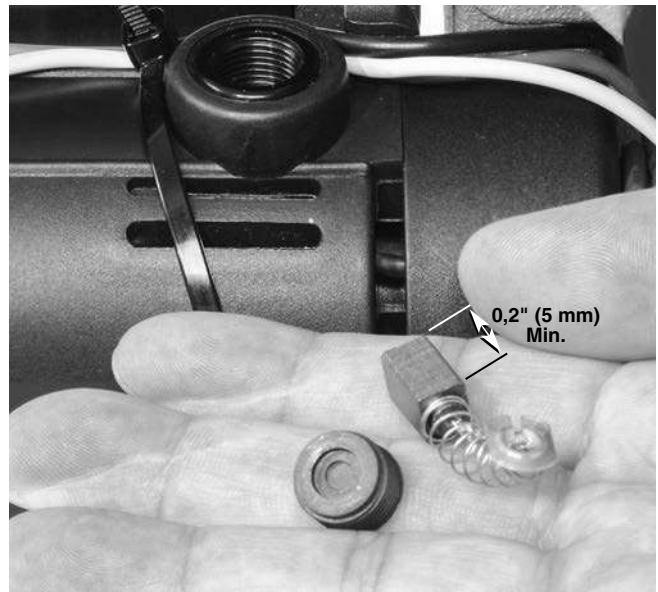


Figure 18 – Mesure des balais

Scannez le code QR ci-dessous pour accéder à la littérature et à la vidéo sur le PC115/PTC-400.



Dépannage

Problème	Cause possible	Solution
Vibrations excessives en cours d'opération.	Régime de rotation inapproprié. ----- Tube tordu. ----- Tube long mal soutenu. ----- Appareil mal monté.	Se reporter à la rubrique <i>Sélection du régime de rotation</i> . ----- Utiliser un coupe-tube manuel sur les tubes tordus. ----- Utiliser des porte-tubes pour soutenir les tubes longs. ----- Boulonner l'appareil sur une surface plane.
Coupe médiocre.	Galet de coupe émoussé. ----- Section ou composition de tube inappropriée.	Remplacer le galet de coupe. ----- Utiliser le type de tube préconisé à la rubrique <i>Caractéristiques techniques</i> .
Calage de l'appareil en cours de coupe.	Avancement trop agressif du galet de coupe en cours d'opération.	Avancer le galet de coupe délicatement.
L'appareil ne fonctionne pas.	Balais usés. ----- Activation de la protection anti-surcharge.	Remplacer les balais. ----- Se reporter au paragraphe <i>Surcharge électrique</i> de la rubrique <i>Entretien</i> .
Bavures ou déformations excessives.	Galet de coupe émoussé ou endommagé. ----- Avancement trop agressif du galet de coupe.	Remplacer le galet de coupe. ----- Avancer le galet de coupe délicatement.
Arrêt de l'appareil dès l'appui sur la pédale de commande avec redémarrage dès qu'elle est lâchée.	Trou dans la pédale ou son flexible. ----- Fuite au niveau du contrôleur.	Remplacer la pédale de commande. ----- En l'absence de fuite au niveau de la pédale ou son flexible, remplacer le contrôleur.

Révisions et réparations**⚠ AVERTISSEMENT**

Toute intervention inappropriée peut rendre cet appareil dangereux.

La rubrique *Entretien* couvrira la majorité des besoins d'entretien de cet appareil. Tout problème qui n'est pas adressé dans cette rubrique devra être confié exclusivement à un réparateur RIDGID agréé. Utilisez exclusivement des pièces de rechange RIDGID.

Reportez-vous à la rubrique *Coordonnées RIDGID* pour localiser le réparateur agréé le plus proche ou poser vos questions visant la révision ou réparation de l'appareil.

Accessoires**⚠ AVERTISSEMENT**

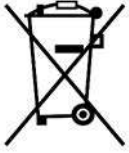
Afin de limiter les risques d'accident grave, utilisez exclusivement les accessoires spécifiquement prévus pour le coupe-tube électrique RIDGID PC116/PTC-400, tels que ceux indiqués ci-après.

Réf. Catalogue	Description
64903	Porte-tube PC116TS pour PC116/PTC-400
66253	Balais pour moteur PC116 220/240 V
66248	Balais pour moteur PC116 100/110 V
56662	Porte-tubes en V grande hauteur VJ-99 de 28" à 52"
64908	Alésoir 137S pour PC116/PTC-400
66938	Galet de coupe E850 pour tubes métalliques
66943	Galet de coupe E855 pour tubes en matière plastique
64898	Roulement de galet de coupe

Pour la liste complète des accessoires RIDGID disponibles pour ces appareils, visitez le catalogue Ridge Tool en ligne à RIDGID.com ou reportez-vous à la rubrique *Coordonnées RIDGID*.

Recyclage

Certains composants de ces appareils renferment des matières précieuses potentiellement recyclables au niveau local. Recyclez ces composants selon la réglementation en vigueur. Consultez les autorités locales pour de plus amples renseignements visant leur recyclage.



A l'attention des pays de la CE : Ne jamais jeter de matériel électrique dans les ordures ménagères !

Selon la Directive 2012/19/EU de l'Union Européenne visant le recyclage de matériel électrique et électronique et son incorporation au niveau national, tout matériel électrique qui ne serait plus utilisable doit être collecté séparément et recyclé de manière écologiquement responsable.

Cortatubos

Cortatubos eléctrico PC116/PTC-400



ADVERTENCIA

Antes de utilizar este aparato, lea detenidamente su Manual del Operario. Pueden ocurrir descargas eléctricas, incendios y/o graves lesiones si no se entienden y siguen las instrucciones de este manual.

Cortatubos eléctrico PC116/PTC-400

Apunte aquí y guarde el número de serie del producto; se encuentra en su placa de características.

No. de
serie

--

Índice de materias

Formulario de registro para el número de serie de la máquina	31
Simbología de seguridad	32
Advertencias de seguridad general para máquinas eléctricas	
Seguridad en la zona de trabajo	33
Seguridad eléctrica	33
Seguridad personal	34
Uso y cuidado de las máquinas eléctricas	34
Servicio	35
Información de seguridad específica	35
Información de contacto RIDGID	35
Descripción	35
Especificaciones	36
Equipo estándar	37
Montaje	37
Montaje sobre un banco de trabajo	37
Inspección previa a la operación	37
Instalación de la máquina y la zona de trabajo	38
Soporte PC116ST y ajuste	38
Instrucciones de operación	39
Ajuste del cortatubos según el diámetro del tubo	40
Selección y modificación de la velocidad de operación	40
Corte de tubos	41
Escariado de tubos	42
Transporte	42
Almacenamiento	43
Instrucciones de mantenimiento	
Limpieza	43
Lubricación	43
Reemplazo de la rueda de corte	43
Protección de sobrecorriente del motor	44
Reemplazo de escobillas del motor	44
Resolución de problemas	45
Servicio y reparaciones	45
Equipo opcional	46
Eliminación	46
Declaración de conformidad de la Comunidad Europea	Interior de la carátula posterior
Garantía de por vida	Carátula posterior

*Traducción del manual original

Simbología de seguridad

En este manual del operario y en el producto mismo encontrará símbolos y palabras de advertencia que comunican importante información de seguridad. Para su mejor comprensión, en esta sección se describe el significado de estas palabras y símbolos de advertencia.



Este es el símbolo de una alerta de seguridad. Sirve para prevenir al operario de las lesiones corporales que podría sufrir. Obedezca todas las instrucciones de seguridad que acompañan a este símbolo para evitar posibles lesiones o muerte.

PELIGRO

Este símbolo de PELIGRO advierte de una situación de riesgo o peligro que, si no se evita, puede producir la muerte o lesiones graves.

ADVERTENCIA

Este símbolo de ADVERTENCIA avisa de una situación de riesgo o peligro que, si no se evita, podría producir la muerte o lesiones graves.

CUIDADO

Este símbolo de CUIDADO advierte de una situación de riesgo o peligro que, si no se evita, podría producir lesiones leves o moderadas.

AVISO

Un AVISO indica información relacionada con la protección de un bien o propiedad.



Este símbolo significa que es necesario leer detenidamente su manual del operario antes de usar el equipo. El manual del operario contiene información importante acerca del funcionamiento apropiado y seguro del equipo.



Este símbolo indica que cuando maneje o utilice este aparato siempre debe usar gafas o anteojos de seguridad con viseras laterales, con el fin de evitar lesiones a los ojos.



Este símbolo advierte del peligro de descargas eléctricas.



Este símbolo indica que existe el riesgo de que los dedos, manos u otras partes del cuerpo se pellizquen o se enganchen en los rodillos u otras piezas en movimiento.



Este símbolo indica el riesgo de que los dedos, manos u otras partes del cuerpo sean cortados por piezas en rotación o en movimiento.



Este símbolo indica que la máquina puede volcarse y causar lesiones por aplastamiento o golpes.



Este símbolo indica que el operario no debe usar guantes mientras hace funcionar esta máquina, para evitar el riesgo de que se enganchen.

Advertencias de seguridad general para máquinas eléctricas*

ADVERTENCIA

Lea todas las advertencias de seguridad, instrucciones, ilustraciones y especificaciones que se proporcionan con esta máquina eléctrica. Si no se siguen todas las siguientes instrucciones, podrían producirse descargas eléctricas, incendios y/o lesiones graves.

¡GUARDE TODAS LAS ADVERTENCIAS E INSTRUCCIONES PARA SU POSTERIOR CONSULTA!

El término "máquina eléctrica" en las advertencias se refiere a la herramienta de trabajo que funciona ya sea enchufada a un tomacorriente (con cordón) o con baterías (sin cordón).

Seguridad en la zona de trabajo

- **Mantenga su zona de trabajo limpia y bien iluminada.** Los lugares desordenados u oscuros pueden provocar accidentes.

- **No haga funcionar máquinas eléctricas en ambientes explosivos, es decir, en presencia de líquidos, gases o polvo inflamables.** Las máquinas eléctricas pueden generar chispas que podrían encender los gases o el polvo.
- **Mientras haga funcionar una máquina eléctrica, mantenga alejados a los niños y espectadores.** Cualquier distracción podría hacerle perder el control del aparato.

Seguridad eléctrica

- **El enchufe de la máquina eléctrica debe corresponder al tomacorriente. Jamás modifique el enchufe del aparato. No utilice un enchufe adaptador cuando haga funcionar una máquina eléctrica provista de conexión a tierra.** Los enchufes intactos y tomacorrientes que les corresponden reducen el riesgo de choques de electricidad.
- **Evite el contacto de su cuerpo con artefactos conectados a tierra tales como cañerías, radiadores, estufas o cocinas, y refrigeradores.** Aumenta el riesgo de choques de electricidad si su cuerpo ofrece conducción a tierra.

* El texto utilizado en la sección sobre Advertencias de seguridad general para máquinas eléctricas se ha copiado textualmente de la correspondiente norma UL/CSA 62841-1 edición estándar, como se exige. Esta sección contiene indicaciones de seguridad general para diversos tipos de máquinas eléctricas. No todas las precauciones corresponden a cada aparato, y algunas no corresponden a esta máquina.

- **No exponga las máquinas eléctricas a la lluvia ni permita que se mojen.** Cuando a una máquina eléctrica le entra agua, aumenta el riesgo de choques de electricidad.
- **No maltrate el cordón eléctrico del aparato. Nunca transporte el aparato tomándolo de su cordón eléctrico ni jale del cordón para desenchufarlo del tomacorriente. Mantenga el cordón alejado del calor, aceite, bordes cortantes o piezas móviles.** Un cordón dañado o enredado aumenta el riesgo de choques de electricidad.
- **Al hacer funcionar una máquina eléctrica a la intemperie, emplee un cordón de extensión fabricado para uso exterior.** El uso de un cordón apropiado para el aire libre reduce el riesgo de choques de electricidad.
- **Si resulta inevitable el empleo de una máquina eléctrica en un sitio húmedo, enchúfela en un tomacorriente dotado de un Interruptor del Circuito de Pérdida a Tierra (GFCI).** El interruptor GFCI reduce el riesgo de choques de electricidad.

Seguridad personal

- **Manténgase alerta, preste atención a lo que está haciendo y use el sentido común cuando haga funcionar una máquina eléctrica. No use máquinas eléctricas si usted está cansado o se encuentra bajo la influencia de drogas, alcohol o medicamentos.** Tan solo un breve descuido durante el funcionamiento de una máquina eléctrica puede resultar en lesiones graves.
- **Use equipo de protección personal. Siempre use protección para los ojos.** Según corresponda para cada situación, colóquese equipo de protección como mascarilla para el polvo, calzado de seguridad antideslizante, casco o protección para los oídos, con el fin de reducir las lesiones personales.
- **Evite echar a andar un aparato sin querer. Asegure que el interruptor de la máquina se encuentre en la posición OFF (apagado) antes de enchufar el aparato a la corriente eléctrica o de conectarlo a sus baterías, de tomarlo o acarrearlo.** Se producen accidentes cuando se transportan máquinas eléctricas con el dedo puesto en el interruptor, o se las enchufa o conecta a la fuente de corriente con el interruptor en la posición de encendido (ON).
- **Extraiga cualquier llave de ajuste que esté acoplada a la máquina eléctrica antes de encenderla.** Una llave acoplada a una pieza o parte giratoria de la máquina eléctrica puede producir lesiones personales.

- **No trate de extender el cuerpo para alcanzar algo. Tenga los pies bien plantados y mantenga el equilibrio en todo momento.** Esto permite un mejor control de la máquina eléctrica en situaciones inesperadas.
- **Vístase adecuadamente. No lleve ropa suelta ni joyas. Mantenga su cabello y ropa apartados de las piezas en movimiento.** La ropa suelta, las joyas o el pelo largo pueden engancharse en las piezas móviles.
- **Si se proveen dispositivos para la extracción y recolección del polvo cuando se usa el aparato, conéctelos y empléelos correctamente.** El uso de aparatos recolectores de polvo reduce los problemas generados por el polvo.
- **No permita que su familiarización con la máquina, debida al uso frecuente, le haga abandonar los principios de seguridad.** Cualquier descuido podría causar una lesión grave en menos de un segundo.

Uso y cuidado de las máquinas eléctricas

- **No fuerce la máquina eléctrica. Use el equipo correcto para la tarea que está por realizar.** Con la máquina eléctrica adecuada se hará mejor el trabajo y en forma más segura en la clasificación nominal para la cual fue diseñada.
- **Si el interruptor de la máquina eléctrica no lo enciende (ON) o no lo apaga (OFF), no utilice el aparato.** Cualquier máquina eléctrica que no se pueda controlar mediante su interruptor es un peligro y debe repararse.
- **Antes de hacer ajustes, cambiar accesorios o de almacenar la máquina eléctrica, desenchúfela y/o extráigale las baterías.** Estas medidas de seguridad preventiva reducen el riesgo de poner la máquina eléctrica en marcha involuntariamente.
- **Almacene las máquinas eléctricas que no estén en uso fuera del alcance de los niños y no permita que las hagan funcionar personas que no estén familiarizadas con el aparato o no hayan leído estas instrucciones de operación.** Las máquinas eléctricas que estén en manos de personas no capacitadas son peligrosas.
- **Haga la mantención necesaria de las máquinas eléctricas. Revise el equipo para verificar que las piezas móviles no estén mal alineadas o agarrotadas. Verifique que no tenga partes quebradas ni presente alguna otra condición que podría afectar su funcionamiento. Si una máquina eléctrica está dañada, hágala reparar antes de utilizarla.** Muchos accidentes se deben a máquinas eléctricas que no han recibido un mantenimiento adecuado.

- **Mantenga las herramientas de corte afiladas y limpias.** Las herramientas de corte provistas de filos afilados son menos propensas a trabarse y son más fáciles de controlar.
- **Utilice la máquina eléctrica, accesorios y barrenas, etc., únicamente conforme a estas instrucciones, tomando en cuenta las condiciones de trabajo y la tarea que debe realizar.** El uso de la máquina eléctrica para trabajos diferentes a los que le corresponden podría producir una situación peligrosa.
- **Mantenga los mangos y superficies de agarre limpios, secos y exentos de aceite y grasa.** Los mangos y superficies de agarre resbalosos no pueden manejarse con seguridad ni permiten el control de la máquina en situaciones inesperadas.

Servicio

- **Encomiende el servicio de la máquina eléctrica únicamente a técnicos calificados que usen repuestos idénticos a las piezas originales.** Así se garantiza la continua seguridad de la máquina eléctrica.

Información de seguridad específica

⚠ ADVERTENCIA

Esta sección contiene información de seguridad importante que es específica para esta herramienta.

Antes de utilizar el cortatubos eléctrico PC116/PTC-400, lea estas instrucciones detenidamente para reducir el riesgo de choque de electricidad o de otras lesiones graves.

¡GUARDE TODAS LAS ADVERTENCIAS E INSTRUCCIONES PARA SU POSTERIOR CONSULTA!

Mantenga este manual junto con la máquina, para que lo use el operario.

- **No use guantes ni ropa suelta cuando haga funcionar el cortatubos eléctrico. Mantenga abotonadas las chaquetas y las mangas.** No estire el brazo por encima de la máquina. La máquina puede enganchar la ropa y enmarañarla.
- **Aleje las manos de las piezas en rotación, tales como rodillos, escariador, rueda de corte y tubo. Permita que se detenga totalmente el movimiento de las piezas antes de manipular la máquina o el tubo.** Esto reduce el riesgo de enmarañarse en las piezas en rotación.

- **Fije la máquina a un banco de trabajo estable o soporte estable. Apoye los tubos en forma apropiada.** Esto impide que la máquina y el tubo se vuelquen y se caigan, reduciendo el riesgo de lesiones por golpes o aplastamiento.
- **No corte tubos que no se vean rectos ni tubos con acoplamientos conectados.** Esto reduce el riesgo de producir vibración excesiva y de perder el control de la máquina y/o del tubo.
- **Siempre use protección para los ojos y equipo de protección personal apropiado.** Las herramientas de corte pueden romperse o hacerse pedazos. Esto reduce el riesgo de lesiones.
- **Un solo operario debe controlar el proceso de trabajo y el interruptor de pie.** Nadie más debe estar en la zona de trabajo cuando la máquina esté en marcha. Esto reduce el riesgo de lesiones.
- **Antes de usar esta máquina, lea y entienda estas instrucciones y las instrucciones y advertencias para todos los equipos y materiales usados.** Esto reduce el riesgo de lesiones graves.

Información de contacto RIDGID

Si tiene alguna pregunta acerca de este producto RIDGID®:

- Comuníquese con el distribuidor RIDGID® en su localidad.
- Visite RIDGID.com para averiguar dónde se encuentra su contacto RIDGID más cercano.
- Comuníquese con el Departamento de Servicio Técnico de Ridge Tool en rttechservices@emerson.com, o llame por teléfono desde EE. UU. o Canadá al (800) 519-3456.

Descripción

El cortatubos eléctrico PC116/PTC-400 de RIDGID® está diseñado para cortar tuberías y conductos de metal o plástico, de un diámetro nominal de ½" a 4" (12 mm a 100 mm).

Un conmutador de dos velocidades controla la velocidad de rotación de los rodillos y un interruptor neumático de pie enciende y apaga el motor. Se incluye una escala para medir el tubo. El cortatubos eléctrico es liviano y compacto, lo cual facilita su transporte.

Se dispone de un escariador opcional para eliminar rebabas del interior de tuberías de hasta 2" (50 mm).

El cortatubos no está diseñado para usar con cañerías de pared gruesa.

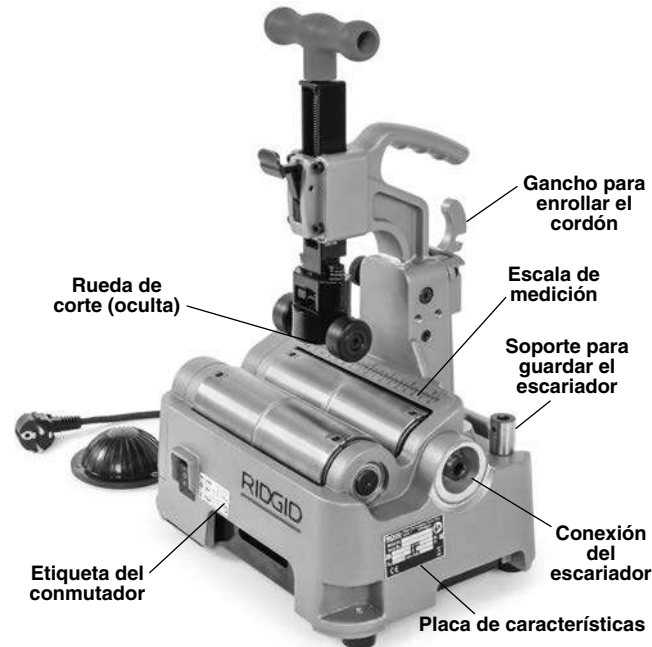


Figura 1 – Cortatubos eléctrico PC116/PTC-400 de RIDGID®

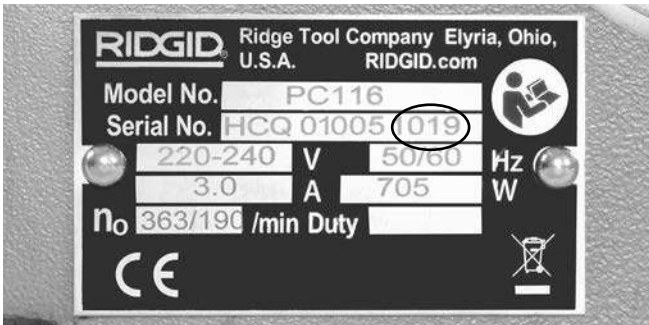


Figura 2 – Número de serie de la máquina

El número de serie del cortatubos está ubicado al costado de la máquina. Los últimos 4 dígitos indican el mes y el año de fabricación (10 = mes, 19 = año).

Especificaciones

Diámetro nominal de tubos a cortar $\frac{1}{2}$ " a 4" (12 mm a 100 mm)

Diámetro real de tubos a cortar $\frac{1}{2}$ " a 4,5" (12 mm a 116 mm)

Material del tubo o conducto*	Espesor máximo de la pared	Rueda de corte	
		E-850 Nº Cat. 66938	E-855 Nº Cat. 66943
Acero al carbón	0,1" (2,5 mm)	X	
Acero inoxidable	0,1" (2,5 mm)	X	
Aluminio	0,1" (2,5 mm)	X	
Cobre	0,1" (2,5 mm)		X
Plástico	0,23" (6 mm)		X

* Estos son solamente lineamientos generales. La composición del material, su dureza y otros factores afectan la habilidad de cortar, la vida útil de la rueda de corte, la formación de rebabas, etc.

Diámetro nominal de tubos a escariar... $\frac{1}{2}$ " a 2" (12 mm a 50 mm)
(accesorio opcional)

Longitud máxima del tubo20 pies (6 m)

Motor:

Tipo	Universal	
Voltaje	100-120 V	220-240 V
Corriente	5,8 A	3,0A
Frecuencia	50/60 Hz	50/60 Hz
Potencia	705 W	705 W

Consulte la placa de características en la máquina para averiguar la información que corresponde específicamente a la unidad

Velocidad de rotación de los rodillos 190/363 RPM para 220-240 V,
225/385 RPM para 100-120 V

Controles Conmutador I/O/II de baja velocidad (LOW), apagado (OFF), alta velocidad (HIGH); interruptor ON/OFF de pie.

Peso32 libras (14,5 kg)

Dimensiones generales

Longitud x Ancho x Altura 11,6" x 9,4" x 15,9"
(295 mm x 239 mm x 403 mm)

Temperatura de funcionamiento.....-4°F a 122°F (-20°C a 50°C)

Presión de sonido (L_{PA})*82,3 dB(A), K=3

Potencia de sonido (L_{WA})*93,3 dB(A), K=3

* Las determinaciones de sonido se miden según una prueba estandarizada según la Norma EN 62481-1.

- Las emisiones de sonido pueden variar según dónde se ubique el usuario y el uso específico de estos aparatos.
- La exposición diaria al sonido se debe evaluar para cada tarea y se deben tomar las correspondientes medidas de seguridad cuando sea necesario. La evaluación de los niveles de exposición debe tomar en cuenta el tiempo durante el cual está apagada la herramienta y el tiempo en que no se usa. Esto puede reducir el nivel de exposición significativamente durante todo el transcurso del período de trabajo.

Equipo estándar

Consulte el catálogo RIDGID para averiguar los detalles de los equipos suministrados y los números de catálogo correspondientes.

AVISO La selección apropiada de los materiales y de los métodos de instalación, unión o formado es responsabilidad del diseñador y/o del instalador del sistema. La selección de materiales o métodos que no son apropiados podría causar una falla del sistema.

El acero inoxidable y otros materiales resistentes a la corrosión se podrían contaminar durante la instalación, unión o formado. Esta contaminación podría causar corrosión y fallas prematuras. Antes de comenzar una instalación se requiere efectuar una minuciosa evaluación de los materiales y métodos usados para las condiciones específicas del servicio, incluyendo las condiciones químicas y la temperatura.

Para reducir el riesgo de contaminación ferrosa del acero inoxidable, asegure que los rodillos estén limpios y sin residuos. Limpie bien las superficies con una escobilla de acero inoxidable. Cambie la rueda de corte y el escañador antes de usarlos con material de acero inoxidable. Es mejor contar con un cortatubos dedicado solamente al acero inoxidable.

Montaje

⚠ ADVERTENCIA

Siga estos procedimientos para montar la máquina, con el fin de reducir el riesgo de lesiones graves durante su utilización. El conmutador debe estar apagado (OFF) y la máquina desenchufada antes de su montaje.

Montaje sobre un banco de trabajo

La máquina se puede montar sobre un banco o mesada nivelada y estable. Para montar la unidad sobre una mesada, destornille las patas de caucho en las cuatro esquinas de la base de la máquina (vea la Figura 16). Luego use pernos M8 para fijar la máquina al banco de trabajo y apriételes bien.

Inspección previa a la operación

⚠ ADVERTENCIA



Cada vez que use el cortatubos eléctrico, hágale una inspección y corrija cualquier problema, para reducir el riesgo de lesiones graves producidas por choque de electricidad, enmarañamiento, aplastamiento y otras causas, y para proteger la máquina contra daños.

1. Asegure que el cortatubos eléctrico esté desenchufado.
2. Limpie el aceite, grasa y suciedad presentes en la máquina y el equipo, incluyendo los mangos y controles. Esto facilita su inspección y ayuda a evitar que la máquina o los controles se resbalen de sus manos. Haga la limpieza y mantención de la máquina según las instrucciones de mantenimiento.
3. Inspeccione el cortatubos eléctrico para verificar lo siguiente:
 - El cordón y el enchufe no están dañados ni se han modificado.
 - Está bien ensamblado, bien mantenido y completo.
 - No hay piezas rotas, desgastadas, faltantes, mal alineadas o agarrotadas, ni ningún otro daño.
 - El interruptor de pie está presente y funciona bien. Confirme que esté conectado, en buenas condiciones, pasa fácilmente de una posición a otra y no se trava.
 - El tornillo de alimentación, rueda de corte y las ruedas de sujeción se mueven fácilmente.
 - La etiqueta de advertencias y otras etiquetas están presentes y legibles (vea la Figura 1).
 - Una inspección de los filos de la rueda de corte y del escañador muestra que no están desgastados, deformados, desportillados ni tienen ningún otro problema. Las ruedas de corte embotadas, dañadas o flojas pueden dañar la máquina, hacer cortes de mala calidad y aumentar el riesgo de lesiones.
 - Si usa un soporte PC116TS, debe hacerle limpieza, inspección y lubricación según sea necesario.
 - No existe ninguna condición que impida el funcionamiento seguro y normal.

Si se encuentra algún problema, no utilice la máquina hasta que se hayan reparado las fallas.
4. Revise cualquier otro equipo que se use y hágale mantenimiento conforme a sus instrucciones para asegurar su buen funcionamiento.

Instalación de la máquina y la zona de trabajo

⚠ ADVERTENCIA



Instale y haga funcionar el cortatubos eléctrico y la zona de trabajo de acuerdo con estos procedimientos, para reducir el riesgo de lesiones causadas por choque de electricidad, enmarañamientos, aplastamiento y otras causas, y para proteger la máquina contra daños.

Instale y haga funcionar el cortatubos eléctrico y la zona de trabajo de acuerdo con estos procedimientos, para reducir el riesgo de lesiones causadas por choque de electricidad, enmarañamientos, aplastamiento y otras causas, y para proteger la máquina contra daños.

1. Revise la zona de trabajo para verificar lo siguiente:
 - Hay suficiente luz.
 - No hay líquidos, gases ni polvo que puedan incendiarse. Si éstos están presentes, no trabaje en ese lugar hasta que identifique y corrija estos problemas. El cortatubos no es a prueba de explosiones y puede generar chispas.
 - El lugar para el operario y todos los equipos está despejado, nivelado y seco, y es estable.
 - Hay un tomacorriente del voltaje correcto y conexión a tierra. Revise la placa de características para verificar el voltaje necesario. Un tomacorriente para tres clavijas o GFCI podría no tener una correcta conexión a tierra. Si tiene alguna duda, pida a un electricista acreditado que inspeccione el tomacorriente.
2. Inspeccione la tarea que debe realizar. Determine cuál es el material, tipo y diámetro del tubo. Determine cuál es el equipo correcto para la tarea. Vea la sección *Especificaciones*.
3. Asegure que se hayan inspeccionado y ensamblado correctamente todos los aparatos que usará.
4. Coloque la máquina sobre una superficie plana, nivelada y estable. Vea *Montaje sobre un banco de trabajo* en la sección *Montaje*. Confirme que la unidad esté bien fija y estable.
5. Si el tubo va a sobresalir más de 6" (15 cm) más allá de la máquina, use uno o más soportes o más para apoyar el tubo. Coloque los soportes para que estén alineados con los rodillos. Un tubo largo podría exigir más de un soporte. Use solamente soportes diseñados para este propósito. Si usa soportes inapropiados o sostiene el tubo a mano, podrían producirse lesiones por volcamiento o enmarañamiento. No exceda la capacidad indicada en el soporte. Cuando el cortatubos y el soporte están en un mismo plano, use el soporte PC116TS de RIDGID para apoyar el tubo.

Si el equipo está sobre una mesada o alguna otra superficie de trabajo elevada, puede apoyar el tubo con toda una gama de soportes para tubos de RIDGID. Si está usando el cortatubos PC116/PTC-400 sobre el suelo, apoye el tubo con el soporte PC116TS de RIDGID. Vea la *Figura 3*.



Figura 3 – Colocación del soporte

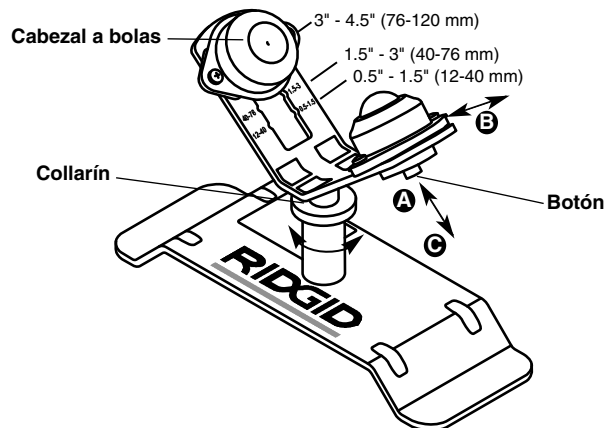


Figura 4 – Ajuste del soporte PC116TS

Soporte PC116ST y ajuste

El soporte PC116ST es un accesorio opcional diseñado solamente para usar con el cortatubos PC116/PTC-400; no tiene ningún otro uso.

Para ajustar los cabezales a bolas de acuerdo con el tamaño del tubo:

- a. Oprima el botón **A**.
- b. Desplace el cabezal a bolas hacia la posición **B** que corresponda al tamaño del tubo (vea la *Figura 4*).
- c. Suelte el botón y asegure la correcta colocación **C**.

Para ajustar la altura del soporte, gire el collarín para subir o bajar el cabezal del soporte. El soporte está diseñado para colocarse sobre la misma superficie plana que ocupa el cortatubos PC116/PTC-400. *Vea la Figura 3.* Si fuera necesario, se pueden colocar espaciadores apropiados (tales como un bloque de madera) para levantar el soporte.

6. Limite el acceso o coloque barandas o barricadas para definir un espacio libre de por lo menos 3 pies (1 m) alrededor de la máquina y el tubo. Esto ayuda a impedir que otras personas entren en contacto con la máquina o el tubo y reduce el riesgo de volcamiento o enmarañamiento.
7. Coloque el interruptor de pie en el lugar que se indica en la *Figura 8*, para permitir al operario adoptar una correcta posición de trabajo.
8. Estando el conmutador en posición de apagado (O-OFF), coloque el cordón a lo largo de una senda despejada. Con las manos secas, enchufe el cordón en un tomacorriente correctamente conectado a tierra. Mantenga todas las conexiones secas y levantadas del suelo. Si el cordón no tiene el largo suficiente, use un cordón de extensión con las siguientes características:
 - Está en buenas condiciones.
 - Tiene un enchufe de tres clavijas igual que el enchufe del cortatubos eléctrico.
 - Está clasificado para uso al aire libre.
 - Tiene alambres del tamaño apropiado. Para cordones de extensión de hasta 50 pies (15,2 m), el alambre debe ser de 14 AWG (2,5 mm²) o más grueso. Para cordones de extensión de 50 a 100 pies (15,2 m a 30,5 m), el alambre debe ser de 12 AWG (2,5 mm²) o más grueso.
9. Verifique el buen funcionamiento del cortatubos eléctrico. Con las manos alejadas de la máquina:
 - Coloque el conmutador en la posición de rotación lenta (I-LOW). Oprima y suelte el interruptor de pie. Los rodillos deben girar como indican las flechas en la *Figura 5*. Si los rodillos no giran en la dirección correcta, o si el interruptor de pie no controla el funcionamiento de la máquina, no use la máquina hasta que se haya reparado.
 - Oprima el interruptor de pie y manténgalo oprimido. Inspeccione las partes móviles para verificar que no estén mal alineadas ni agarrotadas, no emitan ruidos raros ni presenten ninguna condición anormal. Quite el pie del interruptor. Si encuentra alguna condición anormal, no use la máquina hasta que se haya reparado.



Figura 5 – Dirección de rotación de los rodillos

10. Coloque el conmutador en la posición de apagado (O-OFF). Con las manos secas, desenchufe la máquina.

Instrucciones de operación

⚠ ADVERTENCIA



No use guantes ni ropa suelta cuando haga funcionar el cortatubos eléctrico. Mantenga abrochadas las mangas y chaquetas.

No estire el cuerpo por encima de la máquina, ya que su ropa podría engancharse en la máquina y enmarañarlo.

Aleje las manos de las piezas en rotación, tales como los rodillos, escariador, rueda de corte y tubo. Deje que las piezas en rotación y el tubo se detengan completamente antes de manipular la máquina o el tubo. Así reduce la posibilidad de enmarañarse en las piezas que están girando.

Apoye el tubo correctamente. Esto reduce el riesgo de que la máquina y el tubo se vuelquen y se caigan, causando lesiones por golpes y aplastamiento.

Una sola persona debe controlar la tarea y el interruptor de pie. Cuando la máquina está en marcha, solamente el operario debe estar en la zona de trabajo. Así se reduce el riesgo de lesiones.

Siga las instrucciones de operación para reducir el riesgo de lesiones graves debidas a choque eléctrico, enmarañamiento, aplastamiento u otras causas, y para prevenir que se dañe la máquina.

Asegure que la máquina y la zona de trabajo estén correctamente montadas y que en la zona de trabajo no haya espectadores ni otras distracciones. El operario debe ser la única persona en la zona de trabajo cuando la máquina esté funcionando.

Ajuste del cortatubos según el diámetro del tubo

Ajuste de tamaño rápido

El ajuste rápido permite adaptar la máquina rápidamente para funcionar con tubos de diámetro igual a 2" (50 mm) o menos y de diámetro de 2" a 4" (50 mm a 100 mm).

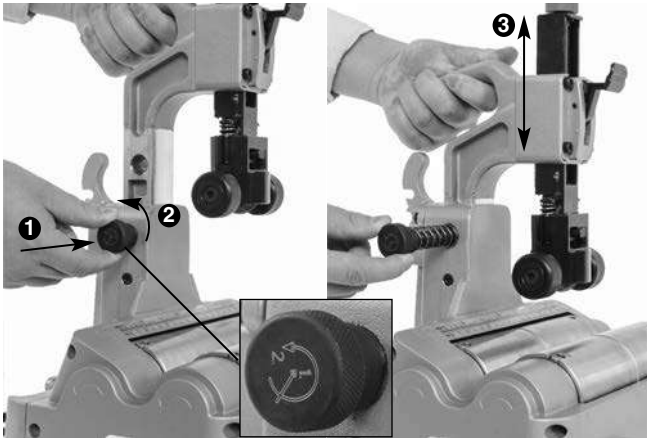


Figura 6 – Ajuste de tamaño rápido

1. Sin tubo colocado en la máquina, agarre la empuñadura y afloje el pasador, deprimiendo levemente la perilla ❶ y girando levemente hacia la izquierda ❷. La perilla es a resorte y se retraerá, controlando el movimiento de la perilla. *Vea la Figura 6.*
2. Con la empuñadura, desplace el cabezal hasta la posición deseada ❸.
3. Vuelva a insertar la perilla de ajuste rápido para fijar la posición del cabezal.

Ajuste rápido de la rueda de corte

Este ajuste rápido del tornillo de alimentación se usa para avanzar y retraer la rueda de corte durante la operación de corte.

1. Para avanzar la rueda de corte, empuje el mango hacia abajo (*Figura 7 A*) hasta que entre en contacto con el tubo.
2. Para retraer la rueda de corte, afloje el mango del tornillo de alimentación, dándole 1 a 2 vueltas (*Figura 7 B*). Presione la palanca de liberación (*Figura 7 C*) para permitir su retracción (es a resorte y controla el movimiento del mango).

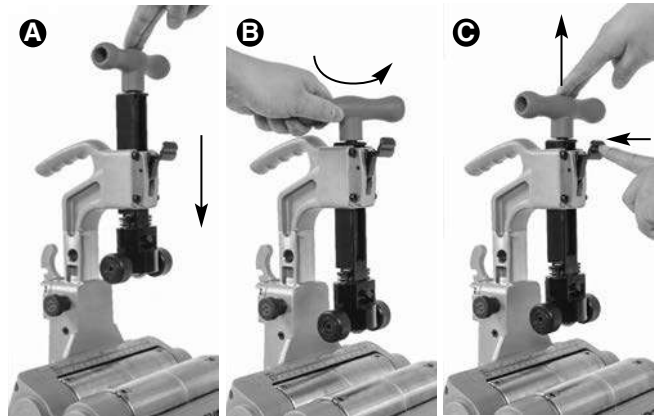


Figura 7 – Alimentación rápida: A: avanzar, B: aflojar, C: retraer

Selección y modificación de la velocidad de operación

El cortatubos eléctrico tiene dos velocidades de operación: rotación lenta (LOW) y rápida (HIGH). *Vea la Figura 8.*

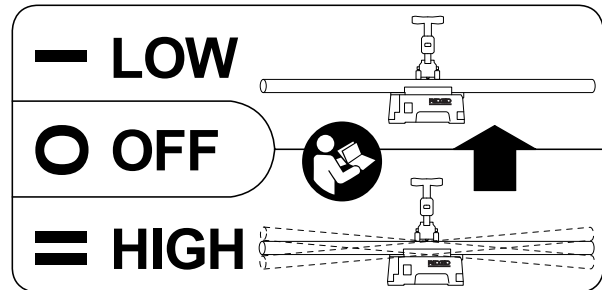


Figura 8 – Etiqueta de velocidades

Velocidad lenta (ajuste del conmutador en I – LOW). Esta velocidad de rotación reduce el riesgo de vibración y oscilación del tubo durante la operación.

Se recomienda para tubos de 2" (50 mm) o menos, de una longitud de 6,5 pies (2 m) o más.

Velocidad rápida (ajuste del conmutador en II – HIGH). Esto reduce el tiempo de operación.

Se recomienda para tubos de más de 2" (50 mm) de diámetro y cualquier longitud, y para cualquier tubo de longitud inferior a 6,5 pies (2 m).

La vibración y oscilación del tubo dependen de muchos factores, tales como la longitud del tubo, diámetro, peso, rectitud, alineamiento del soporte, velocidad de los rodillos, etc. Si en algún momento siente que el tubo está vibrando u oscilando demasiado, suelte el interruptor de pie. Si la máquina está girando a elevada velocidad (II – HIGH), coloque el conmutador en posición lenta (I – LOW) y vuelva a intentar el corte. Si el problema surge a velocidad lenta (I – LOW), use otro método para cortar el tubo, como por ejemplo un cortatubos manual.

Para cambiar de velocidad, suelte el interruptor de pie y permita que el cortatubos se detenga completamente. Coloque el conmutador en la posición deseada. No cambie la velocidad de operación si la máquina está andando.

Corte de tubos

1. Revise el tubo para determinar si se ve recto y que no tiene ningún acoplamiento conectado. Si intenta cortar un tubo que no es recto o que tiene un acoplamiento, puede producirse vibración excesiva y perderse el control. Use un cortatubos manual si fuera necesario. Marque el tubo para indicar la longitud deseada. Para mayor comodidad del operario, la máquina incorpora una escala de medición.
2. Si fuera necesario, cambie la gama de diámetros del cortatubos eléctrico mediante el ajuste de tamaño rápido.
3. Coloque el tubo sobre los rodillos de manera que la marca que indica la posición del corte quede debajo de la rueda de corte, en la marca cero de la escala. Si el tubo sobresale más allá de la máquina, coloque soportes debajo del tubo. Ajuste los soportes de manera que el tubo quede asentado en línea sobre los rodillos. Esto ayuda a asegurar un corte a escuadra apropiado. *Vea la Figura 3.*
4. Adopte una posición correcta para mantener el control de la máquina y del tubo. *Vea la Figura 10* y asegure lo siguiente:
 - Puede alcanzar fácilmente las herramientas y el conmutador.
 - Puede controlar el interruptor de pie. Todavía no pise el interruptor de pie. En caso de emergencia, el operario debe ser capaz de soltar el interruptor de pie.
 - Mantenga el equilibrio sin tener que estirar el cuerpo para alcanzar algo.
5. Haga avanzar el sistema de alimentación rápida hasta que las ruedas de sujeción estén en contacto con el tubo (*Figura 9*). Desplace el tubo hasta que la marca de corte coincida con la rueda de corte. Apriete el tornillo de alimentación para que la rueda de corte entre en contacto con el tubo. Una vez que la rueda de corte toque el tubo, haga girar el tornillo de alimentación una vuelta o una vuelta y media más para que el tubo quede agarrado. El tornillo de alimentación no debe avanzarse demasiado, ya que podría ovalar el tubo y aumentar la formación de rebabas.

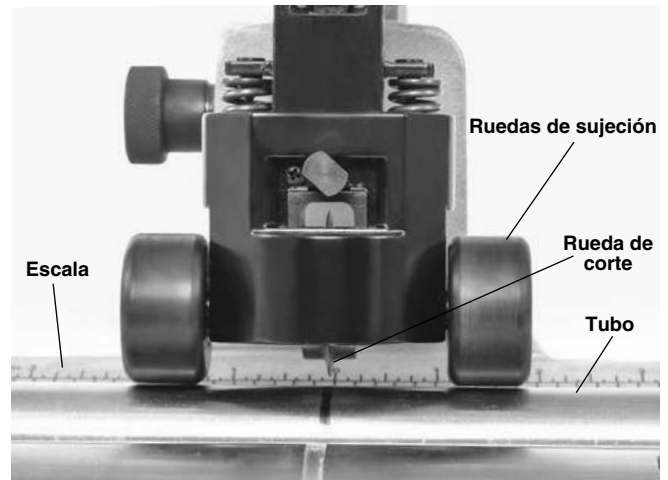


Figura 9 – Contacto entre las ruedas de sujeción y el tubo

6. Coloque el conmutador I-HI/O-OFF/II-HIGH en la posición correcta para cortar el tubo.
7. Oprima el interruptor de pie. Empezarán a girar los rodillos y el tubo. Aleje las manos de las piezas en movimiento.



Figura 10 – Posición para cortar el tubo

8. Haga avanzar el tornillo de alimentación, girando el tornillo lenta y continuamente hasta cortar el tubo. Si aprieta el tornillo en forma demasiado enérgica, se puede dañar la rueda de corte y se pueden formar rebabas excesivas. Mantenga las ruedas de sujeción en contacto con el tubo para retenerlo en su lugar.

Si el tubo hace una espiral durante la operación de corte, detenga la máquina y revise su instalación, especialmente con respecto al alineamiento entre la máquina y los soportes para tubos. Según el material

del tubo, podría ser necesario apretar más el tornillo de alimentación para mejorar el correcto recorrido de la rueda de corte.

9. Quite el pie del interruptor de pie. En seguida, coloque el conmutador I-LOW/O-OFF/II-HIGH en posición de apagado (O-OFF).
10. Cuando deje de girar el tubo, afloje el tornillo de alimentación en una o dos vueltas y presione la palanca de liberación para retraer la rueda de corte completamente. Extraiga el tubo.

Escariado de tubos



Figura 11 – Instalación del escariador

1. Coloque el conmutador I-LOW/O-OFF/II-HIGH en posición de apagado (O-OFF).
2. Extraiga el escariador de su soporte y móntelo en la posición de trabajo que se muestra en la *Figura 11*. Confirme que esté bien fijo.
3. Coloque el conmutador I-LOW/O-OFF/II-HIGH en posición de rotación lenta (I-LOW).
4. Oprima el interruptor de pie. Aleje las manos de los extremos del tubo y de las piezas en movimiento.
5. Agarre bien el tubo y manténgalo apoyado correctamente para mejorar el control.
6. Introduzca el tubo sobre el cono del escariador y suavemente aplique presión para eliminar las rebabas del interior del extremo del tubo (*Figura 12*). No fuerce el tubo sobre el escariador, ya que el escariador podría agarrar el tubo y hacerlo girar mientras usted lo está sujetando.



Figura 12 – Escariado del tubo

7. Quite el pie del interruptor de pie.
8. Coloque el conmutador I-LOW/O-OFF/II-HIGH en posición de apagado (O-OFF).
9. Extraiga el escariador de su posición de trabajo y vuelva a colocarlo en el soporte de almacenamiento.

Transporte

1. Antes de mover la máquina, todos los materiales y equipos deben fijarse o quitarse, para impedir que se vuelquen o se caigan.
2. Baje la rueda de corte.
3. Enrolle el cordón y la manguera del interruptor de pie sobre los ganchos y fíjelos como se muestra en la *Figura 13*.
4. Use la empuñadura para levantar la máquina. Tenga cuidado al levantarla y moverla, y esté consciente del peso de la máquina.



Figura 13 – El cordón y la manguera enrollados sobre la máquina

Almacenamiento

⚠ ADVERTENCIA El cortatubos eléctrico debe guardarse bajo techo en un lugar seco, o bien tapado si se guarda al aire libre. Almacene la máquina bajo llave y fuera del alcance de niños y personas que no estén familiarizadas con el cortatubos eléctrico. Esta máquina puede causar lesiones graves en manos de personas no capacitadas.

Instrucciones de mantenimiento

⚠ ADVERTENCIA

Antes de cualquier tarea de mantenimiento o de hacer ajustes, asegure que el conmutador esté apagado en posición O-OFF y que esté desenchufado el cortatubos.

Haga la mantención de la máquina de acuerdo con estos procedimientos para reducir el riesgo de lesiones por choque de electricidad, enmarañamiento y otras causas.

Limpeza

Después de cada vez que use la máquina, límpiela con un paño limpio y seco. Mantenga los rodillos limpios, sin residuos o suciedad.

Para mejorar la eficiencia del escariador al máximo, manténgalo limpio y sin virutas.

Quite el polvo y residuos de las rejillas de ventilación del motor.

Lubricación

Una vez al mes, o con más frecuencia si fuera necesario, lubrique con un aceite lubricante liviano todas las piezas móviles expuestas del cortatubos eléctrico y el soporte PC116TS, tales como el tornillo de alimentación, el sistema de alimentación rápido, rodillos y puntos de pivote. Con un paño, quite el exceso de aceite de las superficies expuestas.

Reemplazo de la rueda de corte

Vea en *Especificaciones* la selección de la rueda de corte apropiada. Cambie la rueda de corte cuando tenga que cortar materiales distintos. Reemplace la rueda de corte cuando el filo esté aplanado o desportillado. Se puede guardar una rueda de corte adicional en la máquina. *Vea la Figura 13.*

1. Al extraer el pasador de unión, el sujetador de la rueda de corte se desprende (*Figura 14*).

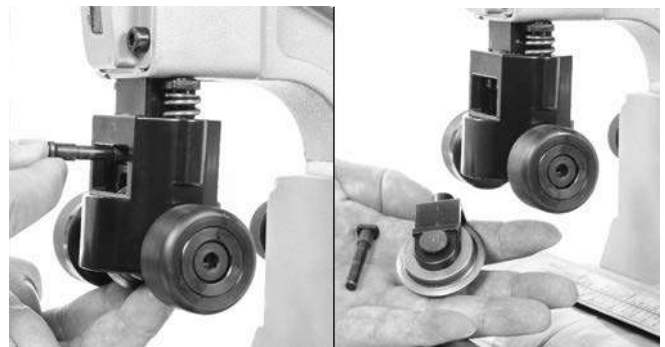


Figura 14 – Extracción del sujetador de la rueda de corte

2. Quite el pasador y el alojamiento de la rueda de corte (*Figura 15*).
3. Inspeccione el alojamiento. Debe girar sin trabarse. Reemplace el alojamiento si se está atascando.
4. Proceda al revés para instalar la rueda de corte.



Figura 15 – Reemplazo de la rueda de corte

Protección de sobrecorriente del motor

El cortatubos cuenta con protección de sobrecorriente que apaga la máquina cuando consume demasiada corriente, para proteger el motor.

Si la máquina se apaga inesperadamente, suelte el interruptor de pie. Coloque el conmutador en posición de apagado (O-OFF) y desenchufe la máquina. Quite el tubo de la máquina. Para confirmar el buen funcionamiento de la máquina, consulte la sección *Inspección previa a la operación* y la sección *Instalación de la máquina y la zona de trabajo*.

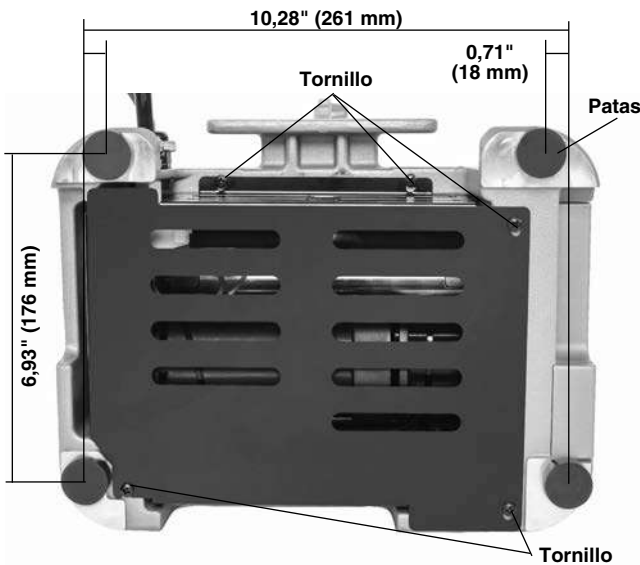


Figura 16 – Tornillos de la tapa inferior

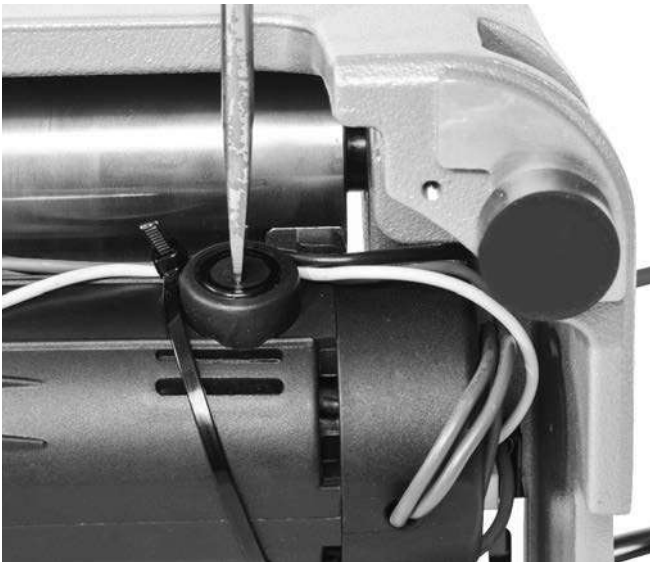


Figura 17 – Extracción de la tapa de la escobilla

Reemplazo de escobillas del motor

Revise las escobillas del motor cada seis meses. Reemplace las escobillas cuando estén desgastadas a menos de 0,2 pulgadas (5 mm).

1. Confirme que el conmutador esté apagado en posición O-OFF y que la máquina esté desenchufada.
2. Afloje los cinco tornillos que sujetan la tapa inferior (Figura 16) y quite la tapa. Algunos tornillos quedan retenidos en la tapa.
3. Con un destornillador, desatornille y extraiga las tapas de las escobillas (Figura 17). Suavemente extraiga las escobillas de carbón y revise su longitud (Figura 18). Si las escobillas miden menos de 5 mm (0,2"), cambie las escobillas.
4. Introduzca la escobilla en el soporte, alineando las lengüetas de las escobillas con las marcas en relieve del soporte.
5. Apriete bien las tapas de las escobillas. Vuelva a colocar la tapa inferior.
6. Cuando termine de ensamblar la máquina, haga funcionar la máquina a alta velocidad (II-HIGH) durante cinco minutos, sin tubo, para asentar las escobillas.

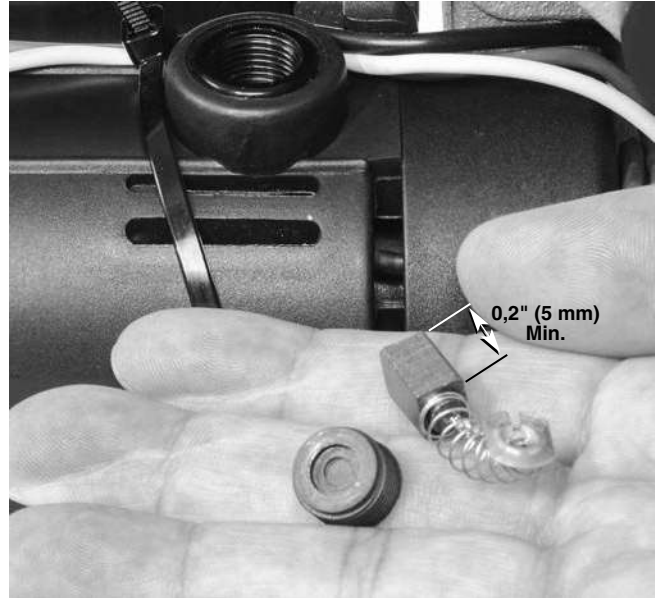


Figura 18 – Inspección del largo de la escobilla



Escanee el siguiente código QR para obtener la literatura y un video sobre el cortatubos PC116/PTC-400.

Resolución de problemas

PROBLEMA	POSIBLES RAZONES	SOLUCIÓN
Vibración excesiva durante el funcionamiento.	Velocidad de operación equivocada. El tubo que desea cortar no es recto. El tubo es largo y no está correctamente apoyado. La máquina está mal montada.	Veá <i>Selección de la velocidad de operación</i> . No corte tubos que a la vista están doblados. Use un cortatubos manual. Apoye los tubos largos con soportes para tubos. Instale la máquina correctamente sobre una superficie plana y fíjela con los pernos de sujeción.
La máquina no corta los tubos correctamente.	La rueda de corte está desgastada. Está usando la máquina para un tubo del material o diámetro incorrecto.	Reemplace la rueda de corte desgastada. Use la máquina para los tubos que correspondan (<i>vea Especificaciones</i>).
La máquina se para cuando está haciendo el corte.	Está introduciendo la rueda de corte con demasiada presión durante el corte.	Introduzca la rueda de corte suavemente.
La máquina no funciona.	Las escobillas del motor están desgastadas. Se ha activado la protección de sobrecorriente.	Instale escobillas nuevas. Siga las instrucciones de <i>Protección de sobrecorriente del motor</i> en la sección <i>Mantenimiento</i> .
Rebabas excesivas o deformación del extremo del tubo.	Rueda de corte dañada o desgastada. Está introduciendo la rueda de corte con demasiada presión durante el corte.	Reemplace la rueda de corte. Introduzca la rueda de corte suavemente.
Se para la máquina cuando está presionado el interruptor de pie, y vuelve a andar al volver a presionar el interruptor de pie.	Hay un agujero en el interruptor de pie o la manguera.. Hay una fuga en el interruptor neumático.	Reemplace el interruptor de pie. Si no hay ningún problema con el interruptor de pie o la manguera, haga reemplazar el interruptor neumático.

Servicio y reparaciones

⚠ ADVERTENCIA

La máquina se torna insegura cuando el servicio o la reparación se hacen en forma indebida.

Las *Instrucciones de mantenimiento* abarcan la mayoría de los servicios que necesita esta máquina. Cualquier problema que no haya sido tratado en esta sección debe ser resuelto únicamente en un servicentro independiente de RIDGID. Deben usarse solamente repuestos RIDGID.

Si necesita información sobre su servicentro independiente de RIDGID más cercano o si tiene preguntas sobre el servicio o reparación, vea la información en la sección *Información de contacto* de este manual.

Equipo opcional

⚠ ADVERTENCIA

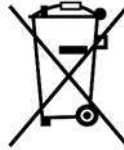
Para reducir el riesgo de lesiones graves, use solamente equipos específicamente diseñados y recomendados para el cortatubos eléctrico PC116/PTC-400 de RIDGID, tales como los que se nombran en la lista siguiente.

N° de catálogo	Descripción
64903	SopORTE PC116TS para tubos, para usar con la máquina PC116/PTC-400
66253	Escobilla de carbón para el motor de 220-240 V de la máquina PC116
66248	Escobilla de carbón para el motor de 100-120 V de la máquina PC116
56662	SopORTE VJ-99 alto para tubos, de 28" a 52" y cabezal en V
64908	Escariador 137S para la máquina PC116/PTC-400
66938	Rueda de corte E850 para tubos metálicos
66943	Rueda de corte E855 para tubos de plástico
64898	Alojamiento de la rueda de corte

Para ver una lista completa de los equipos RIDGID disponibles para estos aparatos, consulte el catálogo de herramientas RIDGID en línea en RIDGID.com o vea la *Información de contacto*.

Eliminación

Las piezas de esta máquina contienen materiales valiosos y se pueden reciclar. Hay compañías locales que se especializan en el reciclaje. Deseche los componentes de acuerdo con todos los reglamentos correspondientes. Para más información sobre la eliminación de desechos, comuníquese con la agencia local de eliminación de residuos.



Para los países de la Comunidad Europea:
¡No deseche equipos eléctricos en la basura común!

De acuerdo con el Lineamiento Europeo 2012/19/EU para Desechos de Equipos Eléctricos y Electrónicos y su implementación en la legislación nacional, los equipos eléctricos inservibles deben desecharse por separado en una forma que cumpla con las normas del medio ambiente.

Rohrabschneider

Elektro-Rohrabschneider PC116/PTC-400



⚠️ WARNUNG!

Lesen Sie diese Bedienungsanleitung vor dem Gebrauch des Geräts sorgfältig durch. Die Unkenntnis und Nichtbeachtung des Inhalts dieser Bedienungsanleitung kann zu Stromschlag, Brand und/oder schweren Verletzungen führen.

Elektro-Rohrabschneider PC116/PTC-400

Notieren Sie unten die Seriennummer und bewahren Sie diese auf. Sie finden die Produkt-Seriennummer auf dem Typenschild.

Seriennr.

Inhaltsverzeichnis

Formular zum Festhalten der Geräteseriennummer	47
Sicherheitssymbole	49
Allgemeine Sicherheits- und Warnhinweise für Elektrowerkzeuge	49
Sicherheit im Arbeitsbereich	49
Elektrische Sicherheit	49
Sicherheit von Personen.....	50
Sachgemäßer Umgang mit Elektrowerkzeugen	50
Wartung	51
Spezifische Sicherheitsinstruktionen	51
RIDGID Kontaktinformationen	51
Beschreibung	51
Technische Daten	52
Standardausstattung.....	53
Zusammenbau	53
Montage auf einer Werkbank	53
Inspektion vor der Benutzung	53
Vorbereiten von Maschine und Arbeitsbereich	54
Einstellung der Stütze PC116TS.....	54
Bedienungsanleitung	55
Einstellen des Rohrabschneiders auf verschiedene Rohrgrößen	56
Auswahl/Wechsel der Betriebsgeschwindigkeit	56
Rohre schneiden.....	57
Fräsen des Innenrohrs	58
Transport	58
Aufbewahrung	59
Wartungsanweisungen	59
Reinigung	59
Schmierung.....	59
Wechseln des Schneidrades	59
Motor-Überstromschutz	60
Wechseln der Motorbürsten.....	60
Fehlerbehebung	61
Wartung und Reparatur.....	62
Optionale Ausrüstung	62
Entsorgung	62
EG-Konformitätserklärung	Hintere Umschlagseite
Garantie	Rückseite

* Übersetzung der Originalbetriebsanleitung

Sicherheitssymbole

Wichtige Sicherheitshinweise werden in dieser Bedienungsanleitung und auf dem Produkt mit bestimmten Sicherheitssymbolen und Warnungen gekennzeichnet. Dieser Abschnitt enthält Erläuterungen zu diesen Warnhinweisen und Symbolen.



Dies ist das allgemeine Gefahrensymbol. Es weist auf mögliche Verletzungsgefahren hin. Beachten Sie alle Hinweise mit diesem Symbol, um Verletzungs- oder Lebensgefahr zu vermeiden.

GEFAHR

GEFAHR weist auf gefährliche Situationen hin, die bei Nichtbeachtung zu tödlichen bzw. ernsthaften Verletzungen führen.

WARNUNG

WARNUNG weist auf gefährliche Situationen hin, die bei Nichtbeachtung zu tödlichen bzw. ernsthaften Verletzungen führen können.

ACHTUNG

ACHTUNG weist auf eine gefährliche Situation hin, die ohne entsprechende Sicherheitsvorkehrungen zu kleineren bis mittelschweren Verletzungen führen kann.

HINWEIS

HINWEIS kennzeichnet Informationen, die sich auf den Schutz des Eigentums beziehen.



Dieses Symbol bedeutet, dass die Bedienungsanleitung sorgfältig durchzulesen ist, bevor das Gerät in Betrieb genommen wird. Die Bedienungsanleitung enthält wichtige Informationen für den sicheren, ordnungsgemäßen Gebrauch des Geräts.



Dieses Symbol bedeutet, dass bei der Arbeit mit diesem Gerät immer eine Schutzbrille mit Seitenschutz oder ein Augenschutz zu verwenden ist, um Augenverletzungen zu vermeiden.



Dieses Symbol weist auf die Gefahr von Stromschlägen hin.



Dieses Symbol weist auf die Gefahr hin, dass Hände, Finger oder andere Körperteile sich in Rollen oder anderen bewegenden Teilen verfangen oder von ihnen eingeklemmt werden können.



Dieses Symbol weist auf die Gefahr von Schnitten an Händen, Fingern oder anderen Körperteilen durch rotierende oder bewegende Teile hin.



Dieses Symbol weist auf das Risiko hin, dass das Gerät umkippen kann, was zu Verletzungen durch Aufprall oder Zerquetschen führen kann.



Dieses Symbol weist darauf hin, dass beim Betreiben dieser Maschine keine Handschuhe getragen werden sollen, um die Gefahr des Verfangens zu verringern.

Allgemeine Sicherheits- und Warnhinweise für Elektrowerkzeuge*

WARNUNG

Lesen Sie alle Sicherheitswarnungen, Anweisungen, Illustrationen und Spezifikationen in Zusammenhang mit diesem Elektrowerkzeug. Die Nichtbeachtung der nachfolgenden Anweisungen kann zu Stromschlag, Brand und/oder schweren Verletzungen führen.

ALLE WARNUNGEN UND ANWEISUNGEN ZUR SPÄTEREN EINSICHT AUFBEWAHREN!

Der im folgenden Text verwendete Begriff „Elektrowerkzeug“ bezieht sich auf netzbetriebene Elektrowerkzeuge (mit Netzkabel) und akkubetriebene Elektrowerkzeuge (ohne Netzkabel).

Sicherheit im Arbeitsbereich

- **Halten Sie Ihren Arbeitsbereich sauber und sorgen Sie für eine gute Beleuchtung.** Unordentliche und unzureichend beleuchtete Arbeitsbereiche erhöhen das Unfallrisiko.

- **Verwenden Sie Elektrowerkzeuge nicht in explosionsgefährlichen Umgebungen mit leicht entflammaren Flüssigkeiten, Gasen oder Staub.** Elektrowerkzeuge erzeugen im Betrieb Funken, durch die sich Staub oder Brandgase leicht entzünden können.
- **Sorgen Sie beim Betrieb eines Elektrowerkzeugs dafür, dass sich keine Kinder oder sonstige Unbeteiligte in dessen Nähe befinden.** Bei Ablenkungen kann die Kontrolle über das Gerät verloren gehen.

Elektrische Sicherheit

- **Die Stecker des Elektrowerkzeugs müssen zur verwendeten Steckdose passen. Nehmen Sie niemals Veränderungen am Stecker vor. Verwenden Sie keine Adapterstecker in Kombination mit schutzgeerdeten Geräten.** Originalstecker und passende Steckdosen bedeuten die geringste Stromschlaggefahr.
- **Vermeiden Sie Körperkontakt mit geerdeten Oberflächen zum Beispiel von Rohren, Heizungen, Herden oder Kühlschränken.** Es besteht ein erhöhtes Risiko durch elektrischen Schlag, wenn Ihr Körper geerdet ist.

* Der im Abschnitt „Allgemeine Sicherheits- und Warnhinweise für Elektrowerkzeuge“ dieses Handbuchs verwendete Text wurde wörtlich aus der geltenden Norm UL/CSA/EN 62841-1 übernommen. Dieser Abschnitt enthält allgemeine Sicherheitshinweise für viele verschiedene Elektrowerkzeugtypen. Nicht jede Sicherheitsvorkehrung gilt für jedes Werkzeug, einige gelten für dieses Werkzeug nicht.

- **Halten Sie Elektrowerkzeuge von Regen und Nässe fern.** Das Eindringen von Wasser in ein Elektrowerkzeug erhöht die Stromschlaggefahr.
- **Das Netzkabel darf nicht für anderweitige Zwecke missbraucht werden. Verwenden Sie es niemals zum Tragen oder Ziehen des Werkzeugs oder zum Herausziehen des Steckers. Halten Sie das Kabel von Hitze, Öl, scharfen Kanten und bewegenden Teilen fern.** Beschädigte oder verhedderte Kabel erhöhen die Stromschlaggefahr.
- **Wenn Sie mit einem Elektrowerkzeug im Freien arbeiten, verwenden Sie nur Verlängerungskabel, die für die Verwendung im Freien geeignet sind.** Die Verwendung eines geeigneten Verlängerungskabels für den Gebrauch im Freien verringert die Gefahr eines Stromschlags.
- **Wenn Sie ein Elektrowerkzeug in feuchter Umgebung einsetzen müssen, verwenden Sie eine Stromversorgung mit Fehlerstromschutzschalter (FI-Schutzschalter).** Die Verwendung eines Fehlerstromschutzschalters (FI-Schutzschalters) verringert die Gefahr eines Stromschlags.

Sicherheit von Personen

- **Seien Sie beim Betrieb eines Elektrowerkzeugs immer aufmerksam und verantwortungsbewusst. Verwenden Sie ein Elektrowerkzeug nicht unter Einfluss von Drogen, Alkohol oder Medikamenten.** Durch einen kurzen Moment der Unaufmerksamkeit können Sie sich selbst oder anderen erhebliche Verletzungen zufügen.
- **Tragen Sie immer persönliche Schutzkleidung. Immer einen Augenschutz tragen.** Das Tragen einer Schutzausrüstung, wie Staubmaske, rutschfeste Sicherheitsschuhe, Schutzhelm oder Gehörschutz, verringert das Risiko von Verletzungen und ist daher unbedingt erforderlich.
- **Verhindern Sie, dass Elektrowerkzeuge unbeabsichtigt eingeschaltet werden. Überprüfen Sie vor dem Einstecken des Steckers in die Steckdose und/oder des Anschließens eines Akkus, dem Aufheben oder Tragen des Werkzeugs, ob der Schalter in Stellung AUS steht.** Wenn Sie beim Tragen von Elektrowerkzeugen Ihren Finger auf dem Schalter halten oder den Stecker einstecken, während der Schalter auf EIN steht, besteht Unfallgefahr.
- **Entfernen Sie sämtliche Einstellwerkzeuge oder Schraubenschlüssel, bevor Sie den Schalter des Elektrowerkzeugs auf EIN stellen.** Ein Werkzeug oder Schlüssel, der sich in einem drehenden Geräteteil befindet, kann zu Verletzungen führen.
- **Lehnen Sie sich nicht zu weit in eine Richtung. Sorgen Sie stets für ein sicheres Gleichgewicht und einen festen Stand.** Dadurch können Sie das Gerät in unerwarteten Situationen besser kontrollieren.
- **Tragen Sie geeignete Kleidung. Tragen Sie keine weiten Kleidungsstücke oder Schmuck. Halten Sie Haare und Kleidung von bewegenden Teilen fern.** Weite Kleidung, Schmuck oder lange Haare können von bewegten Teilen erfasst werden.
- **Wenn Staubabsaug- und Staubauffangeinrichtungen montiert werden können, vergewissern Sie sich, dass diese angeschlossen sind und richtig verwendet werden.** Durch Verwendung von Staubauffangeinrichtungen können die durch Staub entstehenden Gefahren erheblich reduziert werden.
- **Lassen Sie sich durch die Tatsache, dass Sie durch häufige Benutzung mit einem Werkzeug vertraut sind, nicht dazu verleiten, nachlässig zu werden und Sicherheitsprinzipien für den Umgang mit Werkzeugen zu ignorieren.** Eine unbedachte Handlung kann innerhalb von Sekundenbruchteilen schwere Verletzungen verursachen.

Sachgemäßer Umgang mit Elektrowerkzeugen

- **Wenden Sie bei Verwendung des Elektrowerkzeugs keine Gewalt an. Verwenden Sie das korrekte Elektrowerkzeug für Ihre Anwendung.** Mit dem richtigen Elektrowerkzeug wird die anstehende Aufgabe effektiver und sicherer und in der richtigen Geschwindigkeit ausgeführt.
- **Verwenden Sie das Elektrowerkzeug nicht, wenn es sich nicht mit dem Schalter ein- und ausschalten lässt.** Ein Elektrowerkzeug, das sich nicht über den Schalter ein- und ausschalten lässt, stellt eine Gefahrenquelle dar und muss repariert werden.
- **Ziehen Sie den Stecker aus der Steckdose und/oder entfernen Sie den Akku (sofern er sich herausnehmen lässt) aus dem Elektrowerkzeug, bevor Sie Einstellungen vornehmen, Zubehörteile wechseln oder das Werkzeug lagern.** Durch solche Vorsichtsmaßnahmen wird der unbeabsichtigte Start des Elektrowerkzeugs verhindert.
- **Bewahren Sie ungenutzte Elektrowerkzeuge außerhalb der Reichweite von Kindern auf und lassen Sie keine Personen das Werkzeug bedienen, die damit nicht vertraut sind oder diese Anweisungen nicht gelesen haben.** Elektrowerkzeuge sind gefährlich, wenn Sie von unerfahrenen Personen benutzt werden.
- **Elektrowerkzeuge müssen regelmäßig gewartet werden. Stellen Sie sicher, dass sich alle beweglichen und festen Teile in der richtigen Position befinden, keine Teile gebrochen sind oder sonstige Fehler vorliegen, um den reibungslosen Betrieb des Elektrowerkzeugs sicherzustellen. Bei Beschädigungen muss das Elektrowerkzeug vor einer erneuten Verwendung zunächst**

repariert werden. Viele Unfälle werden durch schlecht gewartete Elektrowerkzeuge verursacht.

- **Halten Sie Schneidwerkzeuge scharf und sauber.** Sorgfältig gepflegte Schneidwerkzeuge mit scharfen Schneidkanten verklemmen seltener und sind leichter zu führen.
- **Verwenden Sie Elektrowerkzeug, Zubehör, Einsatzwerkzeuge usw. entsprechend diesen Anweisungen und unter Berücksichtigung der Arbeitsbedingungen und der auszuführenden Tätigkeit.** Wenn Elektrowerkzeuge nicht vorschriftsmäßig verwendet werden, kann dies zu gefährlichen Situationen führen.
- **Halten Sie Griffe und Griffflächen trocken, sauber und frei von Ölen und Fetten.** Rutschige Griffe und Griffflächen verhindern eine sichere Handhabung und Kontrolle des Werkzeugs in unerwarteten Situationen.

Wartung

- **Lassen Sie Ihr Elektrowerkzeug nur von qualifiziertem Fachpersonal und nur mit Original-Ersatzteilen reparieren.** Dadurch bleibt die Sicherheit des Elektrowerkzeugs gewährleistet.

Spezifische Sicherheitsinstruktionen

⚠️ WARNUNG

Dieser Abschnitt enthält wichtige Sicherheitshinweise, die speziell für dieses Werkzeug gelten.

Lesen Sie vor dem Gebrauch des Elektro-Rohrabschneiders PC116/PTC-400 diese Sicherheitshinweise sorgfältig durch, um die Gefahr eines Stromschlags oder schwerer Verletzungen zu vermeiden.

ALLE WARNUNGEN UND ANWEISUNGEN ZUR SPÄTEREN EINSICHT AUFBEWAHREN!

Bewahren Sie diese Bedienungsanleitung beim Gerät auf, damit sie dem Bediener jederzeit zur Verfügung steht.

- **Tragen Sie beim Arbeiten mit dem Elektro-Rohrabschneider keine Handschuhe oder lose Kleidung. Hemdsärmel und Jacken müssen zugeknöpft sein.** Greifen Sie nicht über die Maschine. Kleidung kann sich in der Maschine verfangen.
- **Halten Sie die Hände von rotierenden Teilen wie Rollen, Innenrohrfräser, Schneidrad und Rohr fern. Warten Sie, bis die Teile vollständig zum Stillstand gekommen sind, bevor Sie das Werkzeug oder das Rohr berühren.** So wird die Gefahr des Verfangens in drehenden Teilen verringert.

Sichern Sie die Maschine auf einer stabilen Werkbank oder dem Untergestell. Stützen Sie die Rohre korrekt ab. Dadurch wird die Gefahr von Schlag- und

Quetschverletzungen durch kippende und herabfallende Rohre und Geräte verringert.

- **Schneiden Sie keine sichtbar gebogenen Rohre oder Rohre mit angebrachten Fittings.** Verringert das Risiko übermäßiger Vibrationen und des Verlusts der Kontrolle über die Maschine und/oder die Rohre.
- **Tragen Sie immer einen geeigneten Augenschutz und eine geeignete persönliche Schutzausrüstung.** Schneidwerkzeuge können brechen oder splintern. Dadurch reduziert sich die Verletzungsgefahr.
- **Arbeitsprozess und Fußschalter müssen von einer Person kontrolliert werden.** Nur der Bediener sollte sich im Arbeitsbereich aufhalten, wenn die Maschine läuft. Dies trägt zur Reduzierung des Verletzungsrisikos bei.
- **Lesen und verstehen Sie vor Benutzung diese Anweisungen und die Anleitungen sowie die Warnungen für alle verwendeten Geräte und Materialien, um das Risiko schwerer Verletzungen zu reduzieren.**

RIDGID Kontaktinformationen

Wenn Sie Fragen zu diesem RIDGID®-Produkt haben:

- Wenden Sie sich an Ihren örtlichen RIDGID®-Händler.
- Einen RIDGID Kontaktpunkt in Ihrer Nähe finden Sie auf RIDGID.com.
- Wenden Sie sich an die Abteilung Technischer Kundendienst von Ridge Tool unter rtctechservices@emerson.com oder in den USA und Kanada telefonisch unter (800) 519-3456.

Beschreibung

Der RIDGID® Elektro-Rohrabschneider PC116/PTC-400 eignet sich zum Schneiden von Metall- und Kunststoffrohren/-leitungen mit einer Nenngröße von ½" bis 4" (12 bis 100 mm).

Ein Schalter mit zwei Geschwindigkeitsstufen steuert die Rollengeschwindigkeit und ein pneumatischer Fußschalter ermöglicht das EIN-/AUS-Schalten des Motors. Zum Messen der Rohre ist eine Skala vorhanden. Der Elektro-Rohrabschneider ist leicht und kompakt und lässt sich einfach transportieren.

Ein optionaler Innenrohrfräser ist verfügbar, um Grate von bis zu 2" (50 mm) an der Innenseite von Rohren zu entfernen.

Der Rohrabschneider ist nicht für die Verwendung mit Leitungen vorgesehen.



Abbildung 1 – RIDGID® Elektro-Rohrabschneider PC116/PTC-400



Abbildung 2 – Geräteseriennummer

Die Seriennummer der Maschine ist an der Seite des Abschneiders angegeben. Die letzten 4 Ziffern geben Monat und Jahr der Herstellung an. (10 = Monat, 19 = Jahr)

Technische Daten

Nennrohrgröße
Schnittkapazität ½" bis 4" (12 mm bis 100 mm)
Tatsächliche
Schnittkapazität ½" bis 4.5" (12 mm bis 116 mm)

Rohr-/Leitungs- material*	Maximale Wandstärke	Schneidrad	
		E-850 Bestellnum- mer 66938	E-855 Bestellnum- mer 66943
Kohlenstoffstahl	0.1" (2,5 mm)	X	
Edelstahl	0.1" (2,5 mm)	X	
Aluminium	0.1" (2,5 mm)	X	
Kupfer	0.1" (2,5 mm)		X
Kunststoff	0.23" (6 mm)		X

* Nur allgemeine Richtlinie. Materialzusammensetzung, Härte und andere Faktoren beeinflussen die Schneidfähigkeit, Lebensdauer des Rades, Gratbildung usw.

Nennkapazität des
Innenrohrfräasers ½" bis 2" (12 mm bis 50 mm)
(optionales Zubehör)

Max. Rohrlänge 20' (6 m)

Motor

Typ.....	Universal	
Spannung.....	100-120V	220-240V
Strom.....	5,8 A	3,0 A
Frequenz.....	50/60 Hz	50/60 Hz
Leistung.....	705 W	705 W

Die gerätespezifischen Informationen finden Sie auf dem Typenschild.

Rotationsgeschwindigkeit der Rollen 190/363 RPM bei
220-240V, 225/385 RPM
bei 100-120V

Bedienelemente Schalter I-NIEDRIG/O-OFF (AUS)/
II-HOCH und EIN-/AUS-Fußschalter

Gewicht	32 lbs. (14,5 kg)
Gesamtabmessungen	
L x B x H.....	11.6" x 9.4" x 15.9" (295 mm x 239 mm x 403 mm)
Betriebstemperatur.....	-4° F bis 122° F (-20° C bis 50° C)
Schalldruck (L _{PA})*	82,3 dB(A), K=3
Schalleistung (L _{WA})*	93,3 dB(A), K=3

* Der Schall wird nach einem standardisierten Verfahren gemäß der Norm EN 62481-1 gemessen.
 - Schallemissionen können aufgrund Ihres Standorts und der spezifischen Verwendung dieser Werkzeuge schwanken.
 - Das tägliche Schallemissionsniveau muss für jede Anwendung bewertet werden und bei Bedarf sind entsprechende Sicherheitsmaßnahmen zu treffen. Bei der Bewertung des Expositionslevels sollte die Zeit berücksichtigt werden, für die ein Werkzeug abgeschaltet ist und nicht benutzt wird. Dadurch kann sich das Expositionslevel über die gesamte Arbeitszeit signifikant verringern.

Standardausstattung

Einzelheiten über die Ausrüstung, die mit bestimmten Maschinen geliefert wird, finden Sie im RIDGID-Katalog.

HINWEIS Für die Auswahl der geeigneten Materialien, sowie der Installations-, Verbindungs- und Formmethoden ist der Systemdesigner und/oder Installateur verantwortlich. Die Auswahl ungeeigneter Materialien und Methoden kann zu Systemausfällen führen.

Edelstahl und andere korrosionsbeständige Materialien können bei Installation, Zusammenfügen und Formen kontaminiert werden. Diese Kontamination könnte zu Korrosion und vorzeitigem Ausfall führen. Eine sorgfältige Bewertung der Materialien und Methoden für die speziellen Einsatzbedingungen, einschließlich chemischer Bedingungen und Temperatur, sollte erfolgen, bevor eine Installation versucht wird.

Um das Risiko einer Eisenkontamination von Edelstahl zu verringern, stellen Sie sicher, dass die Rollen sauber und frei von Ablagerungen sind. Gründlich mit einer Edelstahlbürste reinigen. Schneidrad und Innenrohrfräser vor der Verwendung mit Edelstahl wechseln. Es empfiehlt sich, ein eigenes Schneidrad für Edelstahl zu verwenden.

Zusammenbau

⚠️ WARNUNG

Die folgenden Anweisungen sind bei der Montage des Geräts zu beachten, um Verletzungen während des Gebrauchs zu vermeiden. Vor der Montage muss der Schalter auf OFF (Aus) stehen und die Maschine muss vom Netz getrennt sein.

Montage auf einer Werkbank

Die Maschine kann auf einer ebenen, stabilen Werkbank montiert werden. Um das Gerät auf einer Werkbank zu montieren, schrauben Sie die GummifüÙe an den vier Ecken der Maschinenbasis ab (siehe Abbildung 16) und verwenden Sie M8-Schrauben, um die Maschine auf der Werkbank zu befestigen. Verschrauben Sie den Fuß fest.

Inspektion vor der Benutzung

⚠️ WARNUNG



Kontrollieren Sie Ihren Elektro-Rohrabschneider vor jeder Benutzung und beheben Sie etwaige Probleme, um die Verletzungsgefahr durch Stromschlag, Verfangen, Quetschverletzungen und andere Ursachen zu reduzieren und Beschädigungen der Maschine zu vermeiden.

1. Vergewissern Sie sich, dass der Elektro-Rohrabschneider vom Netz getrennt ist.
2. Reinigen Sie Maschine und Ausrüstung, einschließlich der Griffe und Bedienelemente. Dies erleichtert die Inspektion und hilft, zu vermeiden, dass Gerät oder Bedienelemente Ihnen aus den Händen gleiten. Reinigen und pflegen Sie die Maschine entsprechend der Wartungsanleitung.
3. Überprüfen Sie den Elektro-Rohrabschneider hinsichtlich folgender Punkte:
 - Prüfen Sie die Kabel und Stecker auf Beschädigungen oder Änderungen.
 - Korrekte Montage, Wartung und Vollständigkeit.
 - Defekte, abgenutzte, fehlende, falsch montierte oder klemmende Teile oder andere Schäden.
 - Vorhandensein und ordnungsgemäÙe Funktion des Fußschalters. Überprüfen Sie, dass der Fußschalter angeschlossen und in einem guten Zustand ist und dass er problemlos schaltet und nicht klemmt.
 - Freie Bewegung der Vorschubspindel, des Schneidrades und der Stützrollen.
 - Vorhandensein und Lesbarkeit der Warntafel (siehe Abbildung 1).
 - Überprüfen Sie die Schneidkanten des Schneidrades und des Innenrohrfräasers auf Verschleiß, Verformung, Späne oder andere Probleme. Stumpfe, beschädigte oder lose Schneidkanten können das Werkzeug beschädigen, eine schlechte Schnittqualität verursachen und die Verletzungsgefahr erhöhen.
 - Bei Verwendung der Stütze(n) PC116TS diese reinigen, inspizieren und bei Bedarf schmieren.
 - Sonstige Umstände, die einen sicheren und normalen Betrieb verhindern könnten.

Wenn Probleme festgestellt werden, benutzen Sie das Werkzeug erst, wenn die Probleme behoben sind.

4. Kontrollieren und warten Sie alle anderen verwendeten Ausrüstungsteile gemäß der jeweiligen Anleitung, um sicherzustellen, dass sie in funktionsfähigen Zustand sind.

Vorbereiten von Maschine und Arbeitsbereich

⚠️ WARNUNG



Bereiten Sie den Elektro-Rohrabschneider und den Arbeitsbereich gemäß diesen Verfahren vor, um die

Gefahr schwerer Verletzungen durch Stromschlag, Verfangen, Quetschungen und andere Ursachen zu verringern und Maschinenschäden zu vermeiden.

1. Überprüfen Sie den Arbeitsbereich auf:
 - Ausreichende Beleuchtung.
 - Entflammare Flüssigkeiten, Dämpfe oder Stäube, die sich entzünden können. Sind solche Gefahrenquellen vorhanden, arbeiten Sie in diesen Bereichen erst, wenn diese erkannt und beseitigt wurden. Der Rohrabschneider ist nicht explosionsgeschützt und kann Funkenbildung verursachen.
 - Freien, ebenen, stabilen und trockenen Arbeitsplatz für das Gerät und den Bediener.
 - Korrekt geerdete Steckdose mit richtiger Spannung. Überprüfen Sie die geforderte Spannung auf dem Typenschild der Maschine. Eine Steckdose mit drei Stiften oder Fehlerstromschutzschalter ist unter Umständen nicht korrekt geerdet. Lassen Sie im Zweifelsfall die Steckdose von einem autorisierten Elektriker überprüfen.
2. Überprüfen Sie, welche Arbeit anfällt. Bestimmen Sie Material, Typ und Größe des Rohrs. Bestimmen Sie die für die Aufgabe geeignete Ausrüstung. *Siehe Abschnitt technische Daten.*
3. Vergewissern Sie sich, dass die zu verwendende Ausrüstung ordnungsgemäß überprüft und montiert wurde.
4. Stellen Sie die Maschine auf eine flache, ebene, stabile Fläche. Siehe „Montage auf einer Werkbank“ im Montageabschnitt. Vergewissern Sie sich, dass die Einheit stabil und sicher steht.
5. Wenn das Rohr mehr als 6" (15 cm) über die Maschine hinausragt, verwenden Sie eine oder mehrere geeignete Stützen, um das Rohr zu halten. Richten Sie die Stützen an den Rollen aus. Längere Rohre können mehrere Rohrstützen erfordern. Verwenden Sie nur Rohrstützen, die für diesen Zweck konstruiert wurden. Falsche

Rohrstützen oder das Abstützen des Rohrs von Hand kann zu Verletzungen durch Umkippen oder Verfangen führen. Überschreiten Sie die angegebene Kapazität der Stütze nicht. Wenn Rohrabschneider und Stütze auf der gleichen Ebene liegen, verwenden Sie die RIDGID Rohrstütze PC116TS, um das Rohr zu stützen.

Bei der Arbeit auf einer Werkbank oder einem anderen erhöhten Arbeitsbereich können verschiedene RIDGID Rohrstützen verwendet werden, um das Rohr zu halten. Wird der PC116/PTC-400 auf dem Boden verwendet, verwenden Sie die RIDGID Rohrstützen PC116TS, um das Rohr zu halten. *Siehe Abbildung 3.*



Abbildung 3 – Platzierung eines Dreibein-Untergestells

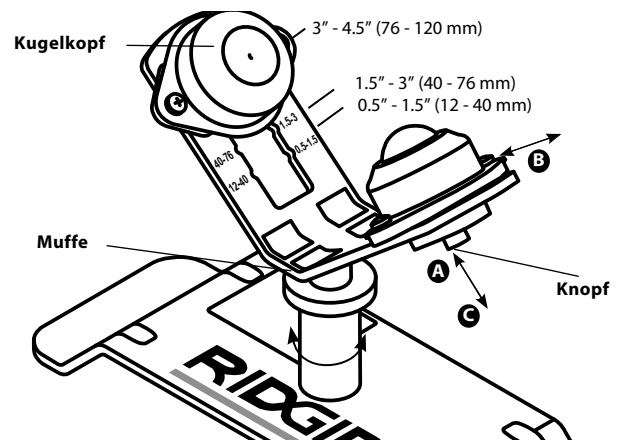


Abbildung 4 – Einstellung der Stütze PC116TS

Einstellung der Stütze PC116TS

Die Stütze PC116TS ist ein optionales Zubehör für die Verwendung mit dem Rohrabschneider PC116/PTC-400 und nicht für andere Zwecke vorgesehen.

Einstellen der Kugelköpfe auf die Rohrgröße:

- a. Drücken Sie den Knopf **A**
- b. Bewegen Sie den Kugelkopf in die richtige Position für die Rohrgröße (siehe *Abbildung 4*) **B**
- c. Lassen Sie den Knopf los – vergewissern Sie sich, dass die Position die richtige ist **C**

Zum Einstellen der Stützenhöhe drehen Sie die Muffe, um den Stützenkopf zu heben oder zu senken. Die Stütze ist für die Platzierung auf derselben ebenen Fläche wie der Rohrabschneider PC116/PTC-400 Cutter vorgesehen. *Siehe Abbildung 3.* Bei Bedarf können geeignete Distanzstücke (etwa ein Holzklötzchen) verwendet werden, um die Stütze anzuheben.

6. Beschränken Sie den Zugang zum Arbeitsbereich oder stellen Sie Aufsichtspersonen oder Absperrungen auf, um einen Mindestsicherheitsbereich von 3 Fuß (1 m) um Maschine und Rohr zu schaffen. Dadurch wird verhindert, dass Unbeteiligte mit Maschine oder Rohr in Berührung kommen, und die Gefahr eines Umkippens oder Verfangens gemindert.
7. Positionieren Sie den Fußschalter wie in *Abbildung 8* gezeigt, um eine korrekte Bedienerposition zu ermöglichen.
8. Legen Sie das Kabel so, dass es keine Behinderung darstellt, wobei der Schalter sich in der Stellung O-OFF (AUS) befinden muss. Stecken Sie das Netzkabel mit trockenen Händen in eine ordnungsgemäß geerdete Steckdose. Sorgen Sie dafür, dass sämtliche Anschlüsse trocken bleiben und sich nicht auf dem Boden befinden. Falls das Netzkabel nicht lang genug ist, verwenden Sie ein Verlängerungskabel, das:
 - In einwandfreiem Zustand ist.
 - mit einem Schutzkontaktstecker versehen ist, wie am Elektro-Rohrabschneider vorhanden.
 - für die Verwendung im Freien zugelassen ist.
 - Einen ausreichenden Querschnitt hat. Für Verlängerungskabel bis 50' (15,2 m) Länge verwenden Sie mindestens 14 AWG (2,5 mm²). Für Verlängerungskabel mit 50'-100' (15,2 m - 30,5 m) Länge verwenden Sie mindestens 12 AWG (2,5 mm²).
9. Überprüfen Sie den Elektro-Rohrabschneider auf einwandfreie Funktion. Mit freien Händen:
 - Bewegen Sie den Geschwindigkeitsschalter in die Geschwindigkeitsstellung I-LOW (NIEDRIG). Betätigen Sie den Fußschalter und geben Sie ihn wieder frei. Die Rollen sollten rotieren wie durch die Pfeile in *Abbildung 5* verdeutlicht. Wenn sich die Maschine nicht in die richtige Richtung dreht oder der Betrieb der Maschine nicht mit dem Fußschalter bedient werden kann, verwenden Sie die Maschine nicht, bis sie repariert wurde.

- Betätigen und halten Sie den Fußschalter. Überprüfen Sie die bewegenden Teile auf falsche Ausrichtung, Klemmen, ungewöhnliche Geräusche oder andere ungewöhnliche Bedingungen. Nehmen Sie den Fuß vom Fußschalter. Verwenden Sie die Maschine bei Vorliegen eines ungewöhnlichen Zustands nicht, bis sie repariert wurde.



Abbildung 5 – Rotationsrichtung der Rollen

10. Bewegen Sie den Geschwindigkeitsschalter in die Stellung O-OFF (AUS) und trennen Sie die Maschine mit sauberen Händen vom Netz.

Bedienungsanleitung

⚠️ WARNUNG



Tragen Sie beim Arbeiten mit dem Elektro-Rohrabschneider keine Handschuhe oder lose Kleidung.

Hemdsärmel und Jacken müssen zugeknöpft sein. Greifen Sie nicht über die Maschine. Kleidung kann sich in der Maschine verfangen.

Halten Sie die Hände von rotierenden Teilen wie Rollen, Innenrohrfräser, Schneidrad und Rohr fern. Warten Sie, bis die Teile vollständig zum Stillstand gekommen sind, bevor Sie das Werkzeug oder das Rohr berühren. So wird die Gefahr des Verfangens in drehenden Teilen verringert.

Stützen Sie die Rohre korrekt ab. Dadurch wird die Gefahr von Schlag- und Quetschverletzungen durch kippende und herabfallende Rohre und Geräte verringert.

Arbeitsprozess und Fußschalter müssen von einer Person kontrolliert werden. Nur der Bediener sollte sich im Arbeitsbereich aufhalten, wenn die Maschine läuft. Dies trägt zur Reduzierung des Verletzungsrisikos bei.

Befolgen Sie die Betriebsanleitung, um die Gefahr von schweren Verletzungen durch Stromschlag,

Verfangen, Quetschungen und andere Ursachen zu verringern und Maschinenschäden zu vermeiden.

Kontrollieren Sie, ob die Maschine und der Arbeitsbereich richtig vorbereitet wurden und der Arbeitsbereich frei von unbeteiligten Personen und anderen Hindernissen ist. Der Bediener sollte die einzige Person sein, die sich während des Betriebs der Maschine im Bereich befindet.

Einstellen des Rohrabschneiders auf verschiedene Rohrgrößen

Schalter für Schnellverstellung der Rohrgröße

Der Schalter für die Schnellverstellung der Rohrgröße dient zum schnellen Wechsel zwischen den Rohrgrößenbereichen 2" (50 mm) und kleiner und 2" bis 4" (50 mm bis 100 mm).

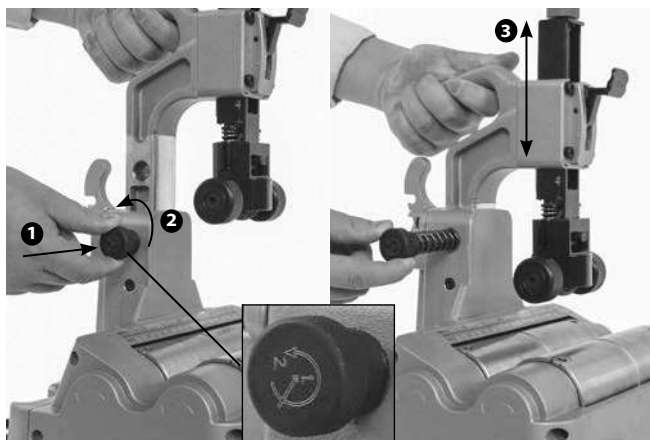


Abbildung 6 – Schalter für Schnellverstellung der Rohrgröße

1. Achten Sie darauf, dass sich kein Rohr im Rohrabschneider befindet, greifen Sie den Griff und lösen Sie den Stift, indem Sie den Knopf ① leicht eindrücken und leicht gegen den Uhrzeigersinn drehen ②. Der Drehknopf ist federbelastet und zieht sich zurück, kontrollieren Sie die Bewegung des Drehknopfes. (Siehe Abbildung 6).
2. Bewegen Sie mittels des Griffs den Kopf in die gewünschte Position ③.
3. Schieben Sie den Schnellwechselschaltknopf hinein, um den Kopf in seiner Position zu halten.

Einstellen der Schnellschneidspindel

Diese Einstellung der Schnellschneidspindel dient zum Vorschieben und Zurückziehen des Schneidrades während des Schneidens.

1. Zum Vorschieben des Schneidrades drücken Sie den Griff nach unten, (Abbildung 7A), bis das Rohr erfasst wird.
2. Zum Zurückziehen des Schneidrades lösen Sie den Griff/

die Vorschubspindel 1 - 2 Umdrehungen (Abbildung 7B) und drücken Sie den Auslöser (Abbildung 7C), damit die Vorschubspindel zurückgezogen wird (sie ist federbelastet – kontrollieren Sie die Bewegung des Griffs).

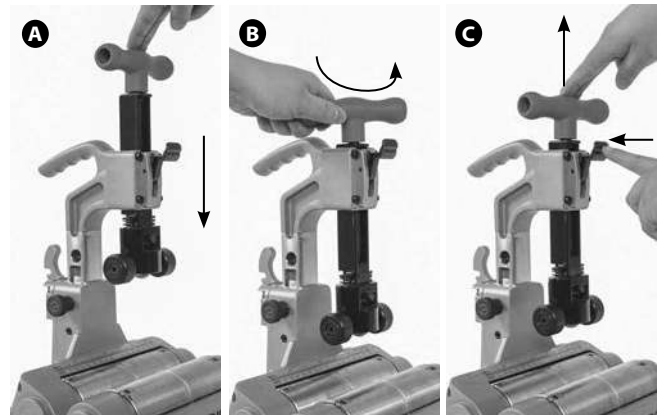


Abbildung 7 – Schneller Vorschub: A-Vorschieben, B-Lösen, C-Zurückziehen

Auswahl/Wechsel der Betriebsgeschwindigkeit

Der Elektro-Rohrabschneider hat zwei Betriebsgeschwindigkeiten – NIEDRIG und HOCH, siehe Abbildung 8.

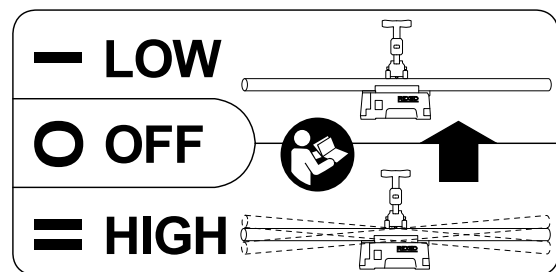


Abbildung 8 – Geschwindigkeitsaufkleber

NIEDRIGE Geschwindigkeit (Schalterstellung I-Low). Dadurch wird das Risiko von Rohr vibrationen und Schwingungen während des Gebrauchs verringert.

Empfohlen für Rohre mit einem Durchmesser von 2" (50 mm) und kleiner und länger als 6.5' (2 m)

HOHE Geschwindigkeit (Geschwindigkeitseinstellung II-High). Dadurch wird der Schneidvorgang beschleunigt.

Für Rohre mit einem Durchmesser von mehr als 2" (50 mm) und beliebiger Länge

Für alle Rohre kürzer als 6.5' (2 m)

Rohr vibrationen und -schwingungen hängen von vielen Faktoren ab, wie z. B. Rohrlänge, -größe, -gewicht, Geradheit, Stützensausrichtung, Rollengeschwindigkeit usw. Wenn Sie zu irgendeinem Zeitpunkt das Gefühl haben, dass das Rohr übermäßig vibriert oder schwingt, lassen Sie den Fußschalter

los. Wenn Geschwindigkeitsstufe II-High aktiv ist, wechseln Sie auf Geschwindigkeitsstufe I-Low und versuchen Sie es erneut. Wenn Geschwindigkeitsstufe I-Low aktiv ist, wenden Sie für das Werkstück eine andere Schneidmethode an, beispielsweise einen manuellen Rohrabschneider.

Zum Wechseln der Geschwindigkeitsstufe lassen Sie den Fußschalter los und lassen Sie den Rohrabschneider komplett zum Stillstand kommen. Bewegen Sie den Schalter in die gewünschte Position. Wechseln Sie die Betriebsgeschwindigkeit nicht bei laufender Maschine.

Rohre schneiden

1. Vergewissern Sie sich, dass das Rohr nicht sichtbar verbogen ist und dass keine Fittings angebracht sind. Das Schneiden von gebogenen Rohren oder Rohren mit Fittings kann zu übermäßigen Vibrationen und zum Verlust der Kontrolle führen. Verwenden Sie gegebenenfalls einen manuellen Rohrabschneider. Markieren Sie das Rohr an der gewünschten Länge. Der Einfachheit halber ist die Maschine mit einer Messskala versehen.
2. Stellen Sie bei Bedarf den Schnittbereich des Elektro-Rohrabschneiders mit dem Schalter für Schnellverstellung der Rohrgröße ein.
3. Legen Sie das Rohr so auf die Rollen, dass sich die Schnittmarkierung unter dem Schneidrad, auf der Nullmarkierung der Skala, befindet. Wenn das Rohr über die Maschine hinausragt, stellen Sie Stützen unter das Rohr. Die Stützen sollten so eingestellt werden, dass das Rohr gerade auf den Rollen aufliegt. Dies erleichtert die Gewährleistung einer korrekten Schnittführung. Siehe Abbildung 3.
4. Stellen Sie sich so, dass Sie Maschine und Rohr kontrollieren können (siehe Abbildung 10):
 - Achten Sie auf problemlosen Zugang zu Werkzeugen und Schalter.
 - Achten Sie darauf, dass Sie den Fußschalter betätigen können. Treten Sie noch nicht auf den Fußschalter. Im Notfall müssen Sie in der Lage sein, den Fußschalter loszulassen.
 - Achten Sie auf gutes Gleichgewicht und vermeiden Sie es, sich weit in eine Richtung beugen zu müssen.
5. Stellen Sie das Schnellvorschubsystem so ein, dass die Stützrollen das Rohr berühren (Abbildung 9). Richten Sie das Schneidrad an der Markierung auf dem Rohr aus. Drehen Sie die Vorschubspindel, bis das Schneidrad das Rohr berührt. Nachdem das Schneidrad das Rohr berührt, drehen Sie die Vorschubspindel 1 bis 1½ Umdrehungen weiter, sodass das Rohr erfasst wird. Schieben Sie die Vorschubspindel nicht zu weit, dadurch kann das Rohr verformt werden und die Gratbildung wird verstärkt.

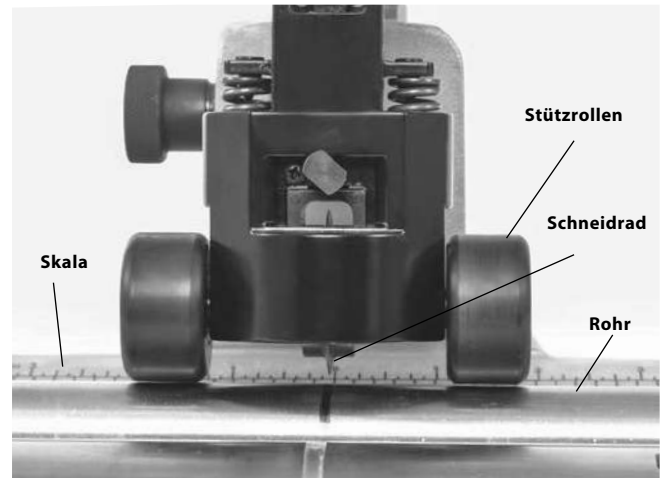


Abbildung 9 – Stützrollen berühren das Rohr

6. Bewegen Sie den Schalter I-Niedrig/O-OFF (AUS)/II-Hoch in die geeignete Position für das zu schneidende Rohr
7. Betätigen Sie den Fußschalter. Rollen und Rohr beginnen, sich zu drehen. Halten Sie die Hände von rotierenden Teilen fern.



Abbildung 10 – Rohr schneiden

8. Drehen Sie die Vorschubspindel langsam und kontinuierlich, bis das Rohr geschnitten wird. Durch aggressives Schneiden kann das Schneidrad beschädigt werden und es kann zu übermäßiger Gratbildung kommen. Achten Sie darauf, dass die Stützrollen Kontakt mit dem Rohr haben, damit das Rohr in seiner Position gehalten wird.

Wenn sich das Rohr während des Schneidens windet, stoppen Sie den Schneidvorgang und überprüfen Sie die Einrichtung der Maschine, insbesondere die

Ausrichtung der Rohrstützen. Bei einigen Rohrmaterialien kann ein leichtes zusätzliches Anziehen der Vorschubspindel erforderlich sein, um die Schnittführung zu verbessern.

9. Nehmen Sie den Fuß vom Fußschalter. Bewegen Sie dann den Schalter I-Niedrig/O-OFF (AUS)/II-Hoch in die Position O-OFF (AUS).
10. Wenn sich das Rohr nicht mehr dreht, lösen Sie die Vorschubspindel um 1-2 Umdrehungen und drücken Sie die Entriegelung, um das Schneidrad vollständig zurückzuziehen. Entfernen Sie das Rohr.

Fräsen des Innenrohrs

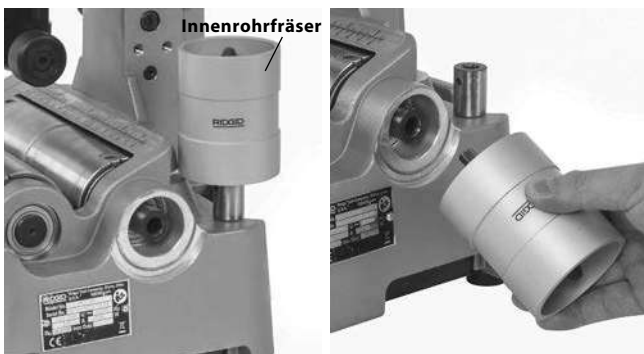


Abbildung 11 – Einbau des Innenrohrfräasers

1. Bewegen Sie den Schalter I-Niedrig/O-OFF (AUS)/II-Hoch in die Position O-OFF (AUS).
2. Entfernen Sie den Innenrohrfräser von der Aufbewahrung und montieren Sie in der Betriebsposition, wie in *Abbildung 11* gezeigt. Vergewissern Sie sich, dass der Innenrohrfräser fest montiert ist.
3. Bewegen Sie den Schalter I-Niedrig/O-OFF (AUS)/II-Hoch in die Position I-Low.
4. Betätigen Sie den Fußschalter. Halten Sie die Hände von den Rohrenden und rotierenden Teilen fern.
5. Halten Sie das Rohr fest. Stützen Sie das Rohr korrekt ab, um bessere Kontrolle zu haben.
6. Schieben Sie das Rohr über den Konus des Innenrohrfräasers und üben Sie leichten Druck aus (*Abbildung 12*), um die Grate auf der Innenseite des Rohrs zu entfernen. Drücken Sie das Rohr nicht gewaltsam auf den Innenrohrfräser, da dies dazu führen kann, dass der Innenrohrfräser das Rohr erfasst und es in Ihren Händen dreht.



Abbildung 12 – Innenrohr fräsen

7. Nehmen Sie den Fuß vom Fußschalter.
8. Bewegen Sie den Schalter I-Niedrig/O-OFF (AUS)/II-Hoch in die Position O-OFF (AUS).
9. Entfernen Sie den Innenrohrfräser aus der Betriebsposition und stecken Sie ihn wieder auf die Aufbewahrungsvorrichtung.

Transport

1. Nehmen Sie sämtliche lose Ausrüstung und loses Material von der Maschine und sichern Sie diese vor dem Transport, um ein Umfallen oder Kippen zu verhindern.
2. Bringen Sie das Schneidrad in die gesenkte Position.
3. Wickeln Sie das Netzkabel und den Schlauch des Fußschalters um den Kabelhaken und befestigen Sie beide wie in *Abbildung 13* gezeigt.
4. Am Griff anheben. Vorsichtig heben und bewegen. Beachten Sie das Gewicht der Maschine.



Abbildung 13 – Kabel/Schlauch aufgewickelt

Aufbewahrung

⚠️ WARNUNG Der Elektro-Rohrabschneider muss trocken in Innenräumen bzw. in Außenbereichen gut abgedeckt aufbewahrt werden. Lagern Sie die Maschine in einem abgeschlossenen Bereich außer Reichweite von Kindern und Personen, die mit dem Elektro-Rohrabschneider nicht vertraut sind. Wenn diese Maschine in die Hände von nicht geschulten Benutzern gelangt, kann sie schwere Verletzungen verursachen.

Wartungsanweisungen

⚠️ WARNUNG

Vergewissern Sie sich, dass der Schalter in der Stellung O-OFF (AUS) steht und das Netzkabel der Maschine abgezogen wurde, bevor Sie eine Wartung durchführen oder Einstellungen vornehmen.

Warten Sie den Rohrabschneider nach diesen Verfahren, um die Verletzungsgefahr durch Stromschlag, Quetschung oder andere Risiken zu vermeiden.

Reinigung

Reinigen Sie die Maschine nach jeder Benutzung vorsichtig mit einem sauberen, trockenen Tuch. Halten Sie die

Rollen sauber und frei von Schmutz und Ablagerungen.

Halten Sie den Innenrohrfräser für maximale Effizienz sauber und frei von Spänen.

Entfernen Sie Staub und Verunreinigungen von den Entlüftungsöffnungen des Motors.

Schmierung

Schmieren Sie monatlich (oder bei Bedarf öfter) alle freiliegenden beweglichen Teile des Elektro-Rohrabschneiders und der Stütze PC116TS (wie z. B. Vorschubspindel, Schnellvorschubsystem, Rollen und Drehpunkte) mit einem leichten Schmieröl. Wischen Sie überschüssiges Öl von den freiliegenden Oberflächen.

Wechseln des Schneidrades

Auswahl des korrekten Schneidrades siehe *Technische Daten*. Wechseln Sie das Schneidrad, wenn Sie verschiedene Materialien schneiden, tauschen Sie das Schneidrad aus, wenn die Schneidkante ausbricht oder stumpf wird. Ein zusätzliches Schneidrad kann an der Maschine untergebracht werden. *Siehe Abbildung 13.*

1. Entfernen Sie den Verbindungsbolzen. Der Radhalter fällt heraus (*Abbildung 14*).



Abbildung 14 – Entfernen des Radhalters

2. Entfernen Sie den Schneidradbolzen und das Schneidrad/Lager (*Abbildung 15*).
3. Überprüfen Sie das Lager. Das Lager sollte frei beweglich sein. Bei Bedarf austauschen.
4. Verfahren Sie beim Einbau des Schneidrades in umgekehrter Reihenfolge.



Abbildung 15 – Wechseln des Schneidrades

Motor-Überstromschutz

Der Elektro-Rohrabschneider ist mit einem Überstromschutz ausgestattet, der die Maschine zum Schutz des Motors abschaltet, wenn dieser zu viel Strom zieht.

Sollte sich die Maschine unerwartet abschalten, lassen Sie den Fußschalter los. Bringen Sie den Schalter in die Stellung O-OFF (AUS) und ziehen Sie den Stecker der Maschine. Entfernen Sie ein etwa vorhandenes Rohr von der Maschine. Führen Sie die Inspektion vor der Benutzung sowie die Vorbereitung von Maschine und Arbeitsbereich durch, um sich zu vergewissern, dass die Maschine einwandfrei funktioniert.

Wechseln der Motorbürsten

Prüfen Sie die Motorbürsten alle sechs Monate. Die Bürsten sollten ausgetauscht werden, wenn die Länge weniger als 5 mm (0,2") beträgt.

1. Vergewissern Sie sich, dass der Schalter in der Stellung O-OFF (AUS) steht und das Netzkabel der Maschine abgezogen wurde.
2. Lösen Sie die fünf Schrauben, die die untere Abdeckung (Abbildung 16) halten, und entfernen Sie die Abdeckung (einige Schrauben bleiben an der Abdeckung).
3. Verwenden Sie einen Schraubendreher, um die Bürstenkappen (Abbildung 17) zu lösen und zu entfernen. Entfernen Sie die Kohlebürsten vorsichtig und prüfen Sie die Länge (Abbildung 18). Wenn die Bürstenlänge weniger als 5 mm (0,2") beträgt, wechseln Sie die Bürsten.
4. Setzen Sie die Bürste in den Bürstenhalter ein und richten Sie dabei die Bürstenlaschen richtig an den Aussparungen im Bürstenhalter aus.
5. Ziehen Sie die Bürstenkappen fest an. Bringen Sie die untere Abdeckung wieder an.
6. Sobald die Maschine wieder zusammengebaut ist, lassen Sie die Maschine fünf Minuten lang in der Geschwindigkeitsstufe II-High laufen, ohne dass sich ein Rohr in der Maschine befindet, um die Bürsten einzuschleifen.

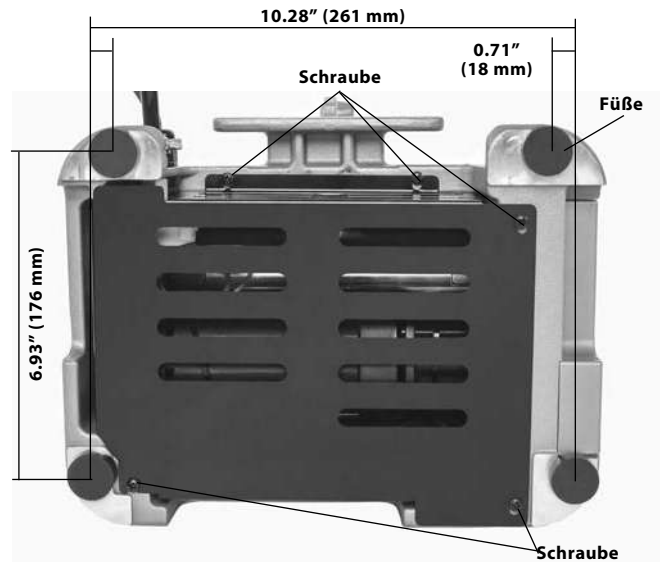


Abbildung 16 – Schrauben der unteren Abdeckung

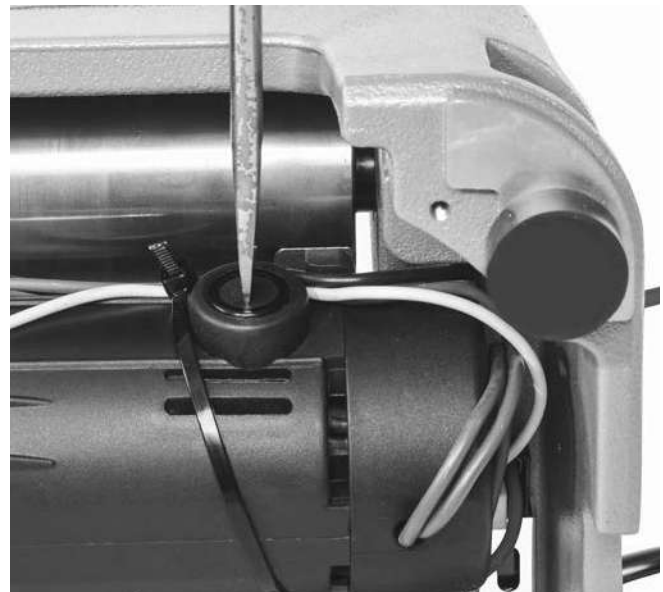


Abbildung 17 – Entfernen der Bürstenkappe

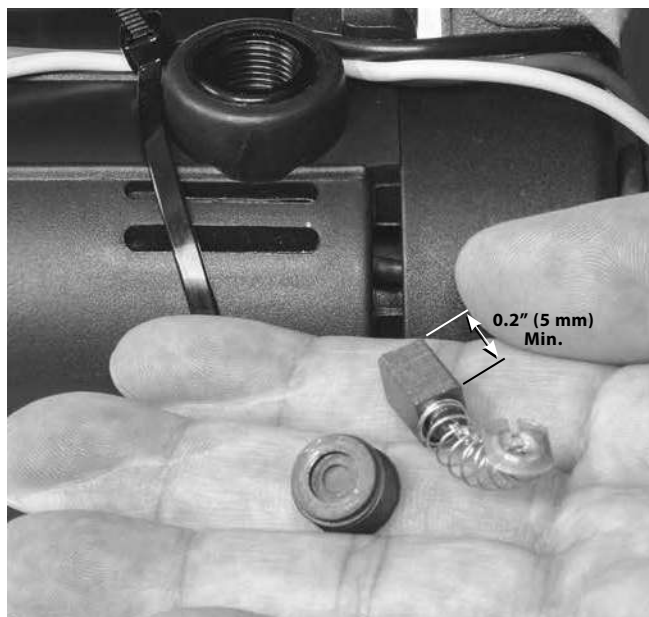


Abbildung 18 – Überprüfen der Bürstenlänge

Scannen Sie den QR-Code unten, um die Literatur und das Video zum PC116/PTC-400 aufzurufen.



Fehlerbehebung

PROBLEM	MÖGLICHE URSACHEN	LÖSUNG
Übermäßige Vibrationen während des Betriebs.	Falsche Betriebsgeschwindigkeit.	Siehe <i>Auswahl der Betriebsgeschwindigkeit</i> .
	Verbogenes Rohr wird geschnitten.	Schneiden Sie kein sichtbar verbogenes Rohr. Manuellen Rohrabschneider verwenden.
	Langes Rohr nicht korrekt abgestützt.	Langes Rohr mit Rohrstützen abstützen.
	Maschine nicht korrekt montiert.	Montieren Sie die Maschine ordnungsgemäß auf einer ebenen Fläche und verschrauben Sie sie mit den Befestigungsschrauben.
Maschine schneidet das Rohr nicht korrekt.	Verschlissenes Schneidrad.	Verschlissenes Schneidrad ersetzen.
	Verwendung mit falscher Rohrgröße oder falschem Material.	Mit korrektem Rohrtyp verwenden (siehe <i>Technische Daten</i>).
Maschine bleibt beim Schneiden stehen.	Aggressiver Vorschub des Schneidrades beim Schneiden.	Das Schneidrad vorsichtig vorschieben.
Maschine arbeitet nicht.	Motorbürsten abgenutzt.	Neue Motorbürsten einbauen.
	Überstromschutz aktiviert.	<i>Anweisungen für Überstromschutz im Wartungsabschnitt befolgen.</i>
Übermäßige Rohrgrate oder Endverformungen.	Verschlissenes oder schadhafes Schneidrad.	Schneidrad ersetzen.
	Aggressiver Vorschub des Schneidrades beim Schneiden.	Das Schneidrad vorsichtig vorschieben.
Maschine stoppt, während der Fußschalter betätigt wird. Startet erneut, wenn der Fußschalter erneut betätigt wird.	Loch in Fußschalter/Schlauch.	Fußschalter ersetzen.
	Luftschalter undicht.	Wenn kein Problem mit dem Fußschalter/Schlauch gefunden wird, lassen Sie den Luftschalter ersetzen.

Wartung und Reparatur

⚠️ WARNUNG

Die Betriebssicherheit des Geräts kann durch unsachgemäße Wartung oder Reparatur beeinträchtigt werden.

In den *Wartungsanweisungen* sind die meisten Wartungsschritte für diese Maschine beschrieben. Alle Probleme, die in diesem Abschnitt nicht erwähnt werden, sollten von einem unabhängigen RIDGID Service-Center behoben werden. Verwenden Sie ausschließlich RIDGID Serviceteile.

Informationen über die nächstgelegene unabhängige RIDGID Vertragswerkstatt oder Antworten auf Service- und Reparaturfragen finden Sie im Abschnitt *Kontaktinformationen* in diesem Handbuch.

Optionale Ausrüstung

⚠️ WARNUNG

Zur Vermeidung schwerer Verletzungen verwenden Sie nur speziell für den RIDGID Elektro-Rohrabschneider PC116/PTC-400 entwickelte und empfohlene Zubehörteile wie die hier aufgeführten.

Best.-Nr.	Beschreibung
64903	Rohrstütze PC116TS für die Verwendung mit PC116/PTC-400
66253	PC116 220-240V Motorkohlebürste
66248	PC116 100-120V Motorkohlebürste
56662	VJ-99 28" - 52" V-Kopf-Rohrstütze, hoch
64908	137S Innenrohrfräser für PC116/PTC-400
66938	E850 Schneidrad (für Metallrohr)
66943	E855 Schneidrad (für Kunststoffrohr)
64898	Schneidradlager

Eine vollständige Liste der für diese Werkzeuge verfügbaren RIDGID-Ausrüstung finden Sie im Ridge Tool Katalog online unter RIDGID.com oder in den *Kontaktinformationen*.

Entsorgung

Teile dieses Gerätes enthalten wertvolle Materialien und können recycelt werden. Hierfür gibt es auf Recycling spezialisierte Betriebe, die u. U. auch örtlich ansässig sind. Entsorgen Sie die Teile entsprechend den örtlich geltenden Bestimmungen. Weitere Informationen erhalten Sie bei der örtlichen Abfallwirtschaftsbehörde.



Für EG-Länder: Entsorgen Sie Elektrogeräte nicht im Hausmüll!

Gemäß der Europäischen Richtlinie 2012/19/EG über Elektro- und Elektronik-Altgeräte und ihrer Umsetzung in nationales Recht müssen nicht mehr gebrauchsfähige Elektrogeräte getrennt gesammelt und einer umweltgerechten Wiederverwertung zugeführt werden.

Buizensnijder

PC116/PTC-400 Elektrische buizensnijder



⚠ WAARSCHUWING!

Lees deze handleiding aandachtig voordat u dit apparaat gebruikt. Het niet begrijpen en naleven van de volledige inhoud van deze handleiding kan resulteren in elektrische schokken, brand en/of ernstig letsel.

PC116/PTC-400 Elektrische buizensnijder

Noteer het serienummer hieronder en bewaar het serienummer van het product, dat op het typeplaatje is aangegeven.

Serienr.

Inhoudsopgave

Registratieformulier voor serienummer van de machine	63
Veiligheidssymbolen	65
Algemene veiligheidswaarschuwingen i.v.m. elektrisch gereedschap	65
Veiligheid op de werkplek.....	65
Elektrische veiligheid.....	65
Persoonlijke veiligheid	66
Gebruik en behandeling van elektrisch gereedschap	66
Onderhoud.....	67
Specifieke veiligheidsinformatie	67
RIDGID Contactgegevens	67
Beschrijving	67
Specificaties	68
Standaarduitrusting	68
Samenbouwen	69
Montage op een werkbank	69
Inspectie vóór gebruik	69
Instellen van de machine en inrichten van de werkplek	69
Afstellen van de steun PC116TS	70
Gebruiksaanwijzing	71
Buizensnijder aan verschillende buismaten aanpassen	71
Selecteren/wijzigen van het toerental	72
Buis snijden	72
De buis ruimen	73
Vervoer	74
Opslag	74
Onderhoudsinstructies	74
Reinigen	74
Smeren	74
Het snijwielje vervangen.....	75
Overstroombeveiliging motor	75
Motorkoolborstels vervangen	75
Problemen oplossen.....	76
Onderhoud en reparaties.....	76
Optionele apparatuur	76
Afvalverwijdering	77
EG-Verklaring van overeenstemming	Binnenkant van de achteromslag
Levenslange garantie	Achterflap

* Vertaling van de oorspronkelijke gebruiksaanwijzing

Veiligheidssymbolen

In deze gebruiksaanwijzing en op het product worden veiligheidssymbolen, pictogrammen en bepaalde woorden gebruikt om de aandacht te vestigen op belangrijke veiligheidsinformatie. Dit deel van de tekst wordt gebruikt om het begrip van deze signaalwoorden en symbolen te verbeteren.



Dit is het veiligheidswaarschuwingssymbool. Het wordt gebruikt om uw aandacht te vestigen op een potentieel risico op lichamelijk letsel. Volg alle veiligheidsinstructies achter dit symbool, om mogelijke letsels of dodelijke ongevallen te voorkomen.

⚠ GEVAAR

GEVAAR verwijst naar een gevaarlijke situatie die, als ze niet wordt vermeden, zal resulteren in een ernstig of dodelijk letsel.

⚠ WAARSCHUWING

WAARSCHUWING verwijst naar een gevaarlijke situatie die, als ze niet wordt vermeden, kan resulteren in een ernstig of dodelijk letsel.

⚠ VOORZICHTIG

VOORZICHTIG verwijst naar een gevaarlijke situatie die, als ze niet wordt vermeden, kan resulteren in een licht of matig letsel.

LET OP

LET OP verwijst naar informatie over de bescherming van eigendommen.



Dit pictogram geeft aan dat u de handleiding aandachtig moet lezen voordat u het gereedschap gebruikt. De handleiding bevat belangrijke informatie over de veilige en correcte bediening van het gereedschap.



Dit symbool geeft aan dat u altijd een veiligheidsbril met zijkapjes moet dragen als u dit gereedschap gebruikt of bedient, om het risico op oogletsels te verminderen.



Dit symbool waarschuwt voor het gevaar van een elektrische schok.



Dit symbool wijst op het risico dat handen, vingers of andere lichaamsdelen kunnen worden gegrepen of verstrikt raken in de rollen of andere bewegende onderdelen.



Dit symbool waarschuwt voor het risico van snijwonden aan handen, vingers of andere lichaamsdelen door draaiende of bewegende onderdelen.



Dit pictogram geeft aan dat de machine kan omkantelen, waardoor verwondingen door stoten of knellen zouden kunnen ontstaan.



Dit symbool betekent dat men geen handschoenen mag dragen bij het werken met deze machine, om het risico van verstriking te verkleinen.

Algemene veiligheidswaarschuwingen i.v.m. elektrisch gereedschap*

⚠ WAARSCHUWING

Lees alle veiligheidswaarschuwingen, instructies, illustraties en specificaties die bij dit elektrisch gereedschap zijn geleverd. Het niet naleven van een van de onderstaande instructies kan leiden tot elektrische schokken, brand en/of ernstig lichamelijk letsel.

BEWAAR ALLE WAARSCHUWINGEN EN INSTRUCTIES, ZODAT U ZE OOK LATER NOG KUNT RAADPLEGEN!

De term 'elektrisch gereedschap' in de waarschuwingen heeft betrekking op uw op netvoeding werkend elektrisch gereedschap (met snoer) of uw op batterijen werkend (snoerloos) elektrisch gereedschap.

Veiligheid op de werkplek

- **Zorg voor een schone en goed verlichte werkplek.** Op een rommelige of donkere werkplek doen zich gemakkelijker ongevallen voor.

- **Gebruik elektrisch gereedschap niet in een explosieve omgeving, bijvoorbeeld in de aanwezigheid van brandbare vloeistoffen, gassen of stof.** Elektrisch gereedschap geeft vonken af, die stof of dampen kunnen doen ontbranden.
- **Houd kinderen en omstanders op afstand terwijl u met elektrisch gereedschap werkt.** Als u wordt afgeleid tijdens het werk, kan dit tot gevolg hebben dat u de controle verliest.

Elektrische veiligheid

- **Stekkers van elektrisch gereedschap moeten passen in de beschikbare stopcontacten. Breng nooit veranderingen aan de stekker aan. Gebruik nooit verloopstekkers in combinatie met (geaard) elektrisch gereedschap.** Originele stekkers en passende stopcontacten verminderen het risico van elektrische schokken.
- **Voorkom lichamelijk contact met geaarde oppervlakken, zoals leidingen, radiatoren, fornuizen en koelkasten.** Het risico op elektrische schokken is groter als uw lichaam geaard is.

* De tekst die gebruikt is in het hoofdstuk "Algemene veiligheidswaarschuwingen in verband met elektrisch gereedschap" van deze handleiding, komt (zoals verplicht) woordelijk uit de geldende norm UL/CSA/EN 62841-1. Dit hoofdstuk bevat algemene veiligheidsvoorschriften voor een groot aantal verschillende soorten elektrisch gereedschap. Niet ieder voorschrift geldt voor ieder stuk gereedschap, en sommige zijn niet van toepassing op deze machine.

- **Stel elektrisch gereedschap niet bloot aan regen of vochtige omstandigheden.** Als er water in het elektrisch gereedschap komt, neemt het risico op elektrische schokken toe.
- **Gebruik het snoer alleen waarvoor het bedoeld is. Gebruik het snoer nooit om elektrisch gereedschap te dragen, te verslepen of om er de stekker mee uit het stopcontact te trekken. Houd het snoer uit de buurt van warmtebronnen, olie, scherpe randen en bewegende onderdelen.** Beschadigde, verstrikte of in de war geraakte snoeren verhogen de kans op elektrische schokken.
- **Wanneer u elektrisch gereedschap buiten gebruikt, dient u een verlengsnoer te gebruiken dat geschikt is voor buiten.** Het gebruik van een snoer dat geschikt is voor buiten, verkleint het risico van een elektrische schok.
- **Als er geen andere mogelijkheid is dan het elektrisch gereedschap op een vochtige plek te gebruiken, moet het elektrische circuit beveiligd zijn met een aardlekschakelaar.** Door het gebruik van een aardlekschakelaar wordt het risico van elektrische schokken beperkt.

Persoonlijke veiligheid

- **Blijf alert, let voortdurend op wat u doet en gebruik uw gezond verstand wanneer u met elektrisch gereedschap aan het werk bent. Gebruik geen elektrisch gereedschap wanneer u moe bent of onder invloed van drugs, alcohol of geneesmiddelen.** Als u ook maar even niet oplet tijdens het gebruik van elektrisch gereedschap kan dit leiden tot ernstig lichamelijk letsel.
- **Gebruik persoonlijke beschermingsmiddelen. Draag altijd een veiligheidsbril.** Beschermingsmiddelen zoals een stofmasker, veiligheidsschoenen met antislipzolen, een veiligheidshelm en gehoorbeschermingsmiddelen die aan de werkomstandigheden zijn aangepast, verminderen het risico op persoonlijk letsel.
- **Voorkom onopzettelijk starten. Zorg ervoor dat de schakelaar in de UIT-stand staat voordat het gereedschap op het lichtnet en/of accupack wordt aangesloten, wordt opgetild of vervoerd.** Het dragen van elektrisch gereedschap met uw vinger aan de schakelaar of elektrisch gereedschap van stroom voorzien terwijl de schakelaar in de AAN-stand staat, is vragen om ongelukken.
- **Verwijder eventuele instelsleutels of ander afstelgereedschap voordat u het elektrische gereedschap aanzet.** Een sleutel of ander gereedschap dat nog aan een draaiend onderdeel van elektrisch gereedschap vastzit, kan persoonlijk letsel veroorzaken.
- **Tracht nooit te ver te reiken. Zorg dat u altijd stevig staat en dat u uw evenwicht niet verliest.** Zo hebt u meer controle over het elektrisch gereedschap als er zich een onverwachte situatie voordoet.
- **Draag geschikte kleding. Draag geen loszittende kledingstukken of sieraden. Houd uw haar en kledingstukken uit de buurt van bewegende onderdelen.** Losse kledingstukken, sieraden of lang haar kunnen worden gegrepen door bewegende onderdelen.
- **Wanneer apparaten voorzien zijn van een aansluiting voor voorzieningen voor stofafzuiging en -opvang, zorg dan dat die zijn aangesloten en gebruik ze op de voorgeschreven wijze.** Het gebruik van een stofopvangvoorziening kan risico's in verband met stof verkleinen.
- **Voorkom dat u door vertrouwdheid door veelvuldig gebruik van gereedschappen gemakzuchtig wordt en de veiligheidsprincipes van het gereedschap negeert.** Een onoplettende handeling kan in een fractie van een seconde ernstig letsel veroorzaken.

Gebruik en behandeling van elektrisch gereedschap

- **Forceer het elektrisch gereedschap nooit. Gebruik het geschikte gereedschap voor uw werkzaamheden.** Het juiste elektrische gereedschap werkt beter en veiliger als u het gebruikt met de snelheid en het ritme waarvoor het is ontworpen.
- **Gebruik het elektrische gereedschap niet als u het niet in en uit kunt schakelen met de schakelaar.** Elk elektrisch gereedschap dat niet in- en uitgeschakeld kan worden met de schakelaar is gevaarlijk en moet worden gerepareerd.
- **Trek de stekker uit het stopcontact en/of koppel de batterij los van het elektrische gereedschap voordat u afstellingen verricht, accessoires verwisselt of het elektrische gereedschap opbergt.** Deze preventieve veiligheidsmaatregelen verkleinen het risico op het onopzettelijk starten van de elektrische machine.
- **Bewaar ongebruikt elektrisch gereedschap buiten het bereik van kinderen en laat personen die het elektrische gereedschap of deze instructies niet kennen er niet mee werken.** Elektrisch gereedschap is gevaarlijk in de handen van ongeoefende gebruikers.
- **Onderhoud elektrisch gereedschap goed. Controleer op verkeerd aangesloten en aanlopende of vastgelopen bewegende delen, defecte onderdelen en andere omstandigheden die gevolgen kunnen hebben voor de werking van het elektrische gereedschap. Als het elektrische gereedschap beschadigd is, moet u het laten repareren alvorens u het opnieuw gebruikt.** Heel wat ongelukken worden veroorzaakt door slecht onderhouden elektrisch gereedschap.

- **Houd snijwerktuigen scherp en schoon.** Goed onderhouden snijwerktuigen met scherpe snijranden zullen minder gemakkelijk blokkeren en zijn gemakkelijker te bedienen.
- **Gebruik het elektrische gereedschap, de toebehoren en gereedschapsbits overeenkomstig deze instructies, rekening houdend met de werkomstandigheden en de te verrichten werkzaamheden.** Het gebruik van elektrisch gereedschap voor andere doeleinden dan het beoogde gebruik kan gevaarlijke situaties opleveren.
- **Houd handgrepen en gripoppervlakken droog, schoon en vrij van olie en vet.** Door gladde handgrepen en gripoppervlakken kan het gereedschap in een onverwachte situatie niet veilig worden gebruikt of bediend.

Onderhoud

- **Laat uw elektrisch gereedschap onderhouden en repareren door een bevoegde hersteldienst, die uitsluitend identieke vervangende onderdelen gebruikt.** Zo wordt de veiligheid van het elektrisch gereedschap gewaarborgd.

Specifieke veiligheidsinformatie

⚠ WAARSCHUWING

Dit hoofdstuk bevat belangrijke veiligheidsinformatie die specifiek betrekking heeft op dit gereedschap.

Lees deze voorzorgsmaatregelen aandachtig door voordat u de PC116/PTC-400 elektrische buizensnijder gebruikt, om het risico op elektrische schokken of ander ernstig letsel te verminderen.

BEWAAR ALLE WAARSCHUWINGEN EN INSTRUCTIES, ZODAT U ZE OOK LATER NOG KUNT RAADPLEGEN!

Bewaar deze handleiding bij het gereedschap, zodat de gebruiker ze altijd kan raadplegen.

- **Draag nooit handschoenen of loszittende kledij als u de elektrische buizensnijder bedient. Zorg dat mouwen en jassen dichtgeknoopt zijn.** Reik niet over de machine. Kledingstukken kunnen worden gegrepen door de machine en verstrikt raken.
- **Houd handen uit de buurt van draaiende onderdelen, zoals rollen, ruimer, snijwiel en buis. Laat onderdelen volledig tot stilstand komen voordat u het gereedschap of de buis aanraakt.** Hierdoor vermindert het risico om gegrepen te worden door bewegende delen.
- **Bevestig de machine op een stabiele werkbank of een stabiel onderstel. Ondersteun de buizen op geschikte wijze.** Dat verkleint het risico van stoot- en

verbrijzelingsletsel door kantelende en vallende buizen en uitrusting.

- **Snij geen buizen die zichtbaar verbogen zijn of waaraan fittingen zijn gemonteerd.** Verkleint het risico van extreme trillingen en verlies van controle over de machine en/of de buis.
- **Draag altijd geschikte oogbescherming en geschikte persoonlijke beschermingsuitrusting.** Snijgereedschappen kunnen breken of versplinteren. Dit vermindert het risico van letsel.
- **Eén en dezelfde persoon moet het werkproces en de voetschakelaar bedienen.** Alleen de gebruiker mag zich in het werkgebied bevinden wanneer de machine in werking is. Op die manier wordt het risico op letsels vermindert.
- **Om het risico op ernstig lichamelijk letsel te verminderen, moet u voor gebruik van dit gereedschap deze gebruiksaanwijzing lezen en begrijpen. Daarnaast moet u ook de gebruiksaanwijzingen, de waarschuwingen en instructies voor alle te gebruiken toebehoren en materialen lezen en begrijpen.**

RIDGID Contactgegevens

Als u nog vragen hebt over dit RIDGID®-product:

- Neem contact op met uw plaatselijke RIDGID®-dealer.
- Kijk op RIDGID.com om uw plaatselijke RIDGID-contactpunt te vinden.
- Neem contact op met het Ridge Tool Technical Services Department via rtctechnicalservices@emerson.com (of in de VS en Canada via het nummer (800) 519-3456).

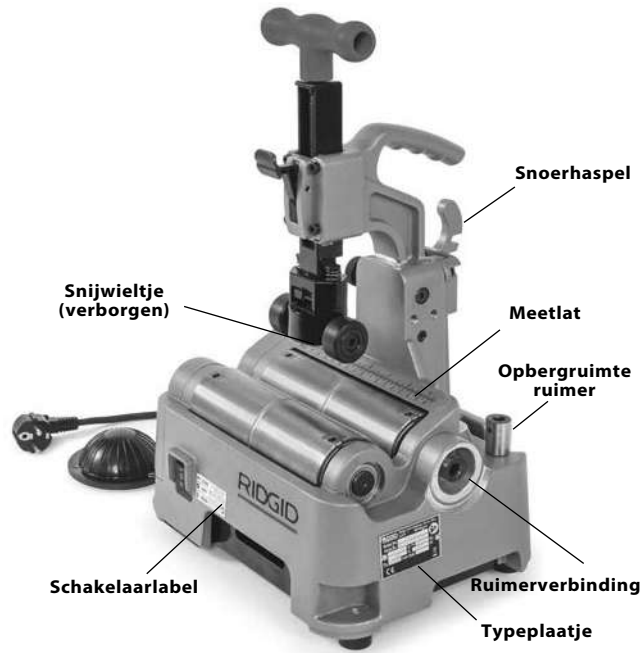
Beschrijving

De RIDGID® PC116/PTC-400 elektrische buizensnijder is ontworpen voor het snijden van metalen en kunststof buizen/doorvoeren met een nominale maat van ½" tot 4" (12 tot 100 mm).

Een schakelaar met twee snelheden regelt de snelheid van de rollen en een pneumatische voetschakelaar zorgt voor de AAN/UIT-regeling van de motor. Voor het meten van de buis is een meetlat aangebracht. De elektrische buizensnijder is licht van gewicht en compact voor een moeiteloos transport.

Een optionele ruimer is beschikbaar voor het verwijderen van bramen aan de binnenzijde van buizen tot 2" (50 mm).

De buizensnijder is niet ontworpen voor de bewerking van pijpen.



Figuur 1 – RIDGID® PC116/PTC-400 elektrische buizensnijder



Figuur 2 – Serienummer van de machine

Het serienummer van de machine bevindt zich aan de zijkant van de buizensnijder. De laatste 4 cijfers verwijzen naar de maand en het jaar van de productie. (10 = maand, 19 = jaar).

Specificaties

Nominale buismaat
 Snijcapaciteit ½" tot 4" (12 mm tot 100 mm)
 Feitelijke snijcapaciteit..... ½" tot 4,5" (12 mm tot 116 mm)

Buis/ doorvoermateriaal*	Maximale wanddikte	Snijwieltje	
		E-850 Cat. #66938	E-855 Cat. #66943
Carbonstaal	0.1" (2,5 mm)	X	
Roestvast staal	0.1" (2,5 mm)	X	
Aluminium	0.1" (2,5 mm)	X	
Koper	0.1" (2,5 mm)		X
Kunststof	0.23" (6 mm)		X

* Enkel een algemene richtlijn. Materiaalsamenstelling, hardheid en andere factoren zijn van invloed op het snijvermogen, de levensduur van het snijwieltje, braamvorming enz.

Nominale ruim
 capaciteit..... ½" tot 2" (12 mm tot 50 mm)
 (optionele accessoire)

Max. buislangte20' (6 m)

Motor

Type.....	Universeel	
Spanning.....	100-120 V	220-240 V
Stroomsterkte.....	5,8 A	3,0 A
Frequentie.....	50/60 Hz	50/60 Hz
Vermogen.....	705 W	705 W

Raadpleeg het typeplaatje op het product voor specifieke informatie over het apparaat.

Rotatiesnelheid rollen..... 190/363 omw/min voor 220-240 V,
 225/385 omw/min voor 100-120 V

Bedieningselementen..... I-LAAG/O-UIT/II-HOOG-schakelaar
 en AAN/UIT-voetschakelaar

Gewicht..... 32 lbs. (14,5 kg)

Totale afmetingen	
L x B x H.....	11.6" x 9.4" x 15.9" (295 mm x 239 mm x 403 mm)
Bedrijfstemperatuur	-4° F tot 122° F (-20° C tot 50° C)
Geluidsdruk niveau (L _{PA})*	82,3 dB(A), K=3
Geluidsvermogensniveau (L _{WA})*	93,3 dB(A), K=3

* Geluidsmetingen worden uitgevoerd in overeenstemming met de gestandaardiseerde test zoals beschreven in de norm EN 62481-1.

- Geluidsemisies kunnen variëren naargelang de plaats waar u zich bevindt, en het specifieke gebruik van dit gereedschap.
- De dagelijkse blootstellingsniveaus voor geluid moeten voor elke toepassing worden geëvalueerd en er moeten passende veiligheidsmaatregelen worden genomen wanneer dat nodig is. Bij de evaluatie van de blootstellingsniveaus moet ook rekening worden gehouden met de tijd dat het gereedschap uitgeschakeld en niet in gebruik is. Dit kan het blootstellingsniveau over de totale werktijd aanzienlijk verminderen.

Standaarduitrusting

Zie de RIDGID-catalogus voor meer informatie over de apparatuur die kan worden geleverd, inclusief de overeenkomstige machinecatalogusnummers.

LET OP Het kiezen van de juiste materialen en installatie-, verbindings- en vormingsmethoden is de verantwoordelijkheid van de systeemontwerper en/of installateur. De keuze van verkeerde materialen en methoden kunnen systeemstoringen veroorzaken.

Roestvrij staal en andere corrosiebestendige materialen kunnen aangetast worden tijdens het installeren, verbinden en vormen. Deze aantasting kan leiden tot corrosie en voortijdige defecten. Alvorens een installatie aan te vatten, moet er een zorgvuldige analyse worden gemaakt van de geschiktheid van de materialen en methoden voor de specifieke bedrijfsvoorwaarden, met inbegrip van de chemische en temperatuurvoorwaarden.

Om het risico van vervuiling van het roestvast staal door ijzer te voorkomen, moeten de rollen altijd schoon en vrij van vuilresten zijn. Reinig grondig met een borstel voor roestvast staal. Vervang het snijwieltje en de ruimer voordat roestvaststalen materialen worden bewerkt. De beste werkwijze is een speciaal snijwieltje te kiezen voor roestvast staal.

Samenbouwen

⚠ WAARSCHUWING

Om het risico van ernstig letsel tijdens het gebruik te beperken, moet u bij de montage deze instructies volgen. Voorafgaand aan het samenbouwen moet de schakelaar in de stand OFF (UIT) staan en de stekker van de machine moet uit het stopcontact getrokken zijn.

Montage op een werkbank

De machine kan worden gemonteerd op een vlakke, stabiele werkbank. Om het apparaat op een bank te monteren, schroeft u de rubberen voetjes uit de vier hoeken van de

machineonderzijde (zie Figuur 16) en gebruikt u M8-bouten om de machine op de bank te bevestigen. Draai stevig aan.

Inspectie vóór gebruik

⚠ WAARSCHUWING



Voor ieder gebruik moet u uw buizensnijder controleren en eventuele problemen verhelpen om het risico op ernstig letsel door elektrische schokken,

intrekken, knellen en andere oorzaken te verminderen en beschadiging van de machine te voorkomen.

1. Zorg ervoor dat de stekker van de elektrische buizensnijder uit het stopcontact is getrokken.
2. Reinig de machine en uitrusting, inclusief handgrepen en bedieningselementen. Dat maakt de inspectie gemakkelijker en helpt voorkomen dat het toestel of een bedieningselement uit uw handen zou schieten. Reinig en onderhoud de machine aan de hand van de onderhoudsinstructies.
3. Controleer de elektrische buizensnijder op:
 - Inspecteer snoer en stekker op beschadigingen of aanpassingen.
 - Correcte montage, goed onderhoud en volledigheid.
 - Eventuele kapotte, versleten, ontbrekende, verkeerd uitgelijnde of vastgelopen onderdelen, of andere mankementen.
 - Aanwezigheid en goede werking van de voetschakelaar. Vergewis u ervan dat de voetschakelaar aan de machine bevestigd is, dat hij in goede staat is en vlot omschakelt, zonder haperen.
 - Onbelemmerde beweging van de aanvoerschroef, snijwieltje en steunrollen.
 - Aanwezigheid en leesbaarheid van de waarschuwings- en andere labels (Zie Figuur 1).
 - Controleer de snijranden van het snijwieltje en de ruimer op slijtage, vervorming, afschilferingen of andere problemen. Botte, beschadigde of losse snijwieltjes kunnen het gereedschap beschadigen, een snede van slechte kwaliteit opleveren en het risico van letsel verhogen.
 - Wanneer u de steun(en) van de PC116TS gebruikt, reinig, inspecteer en smeer deze dan zo nodig.
 - Elke toestand die een veilige en normale werking zou kunnen verhinderen.

Wanneer u problemen vaststelt, mag u het gereedschap niet gebruiken voordat deze problemen zijn verholpen.

- Inspecteer en onderhoud alle overige gebruikte uitrusting volgens de overeenkomstige instructies, om de correcte werking ervan te verzekeren.

Instellen van de machine en inrichten van de werkplek

⚠ WAARSCHUWING



Richt de elektrische buizensnijder en het werkgebied in volgens deze procedures om het risico van ernstig

letsel door elektrische schok, intrekken, verbrijzelingsletsel en andere oorzaken te verkleinen en schade aan de machine te voorkomen.

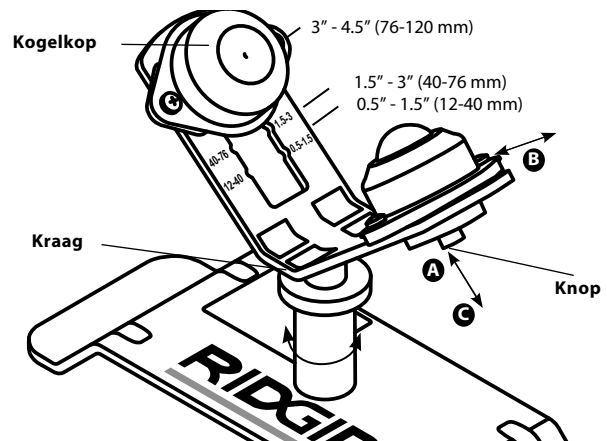
- Controleer de werkplek op:
 - Adequate verlichting.
 - Brandbare vloeistoffen, dampen of stof die kunnen ontbranden. Als u deze stoffen aantreft, mag u niet aan het werk gaan voordat de bronnen geïdentificeerd en afgesloten zijn. De buizensnijder is niet explosie veilig en kan vonken veroorzaken.
 - Een obstakelvrije, vlakke, stabiele en droge plaats voor alle uitrusting en de gebruiker.
 - Een correct geaard stopcontact met de correcte spanning. Controleer het machinetypeplaatje voor de noodzakelijke spanning. Een stekker met aardingspen of een stopcontact met aardlekschakelaar is geen garantie dat het stopcontact ook daadwerkelijk correct geaard is. Laat het stopcontact in geval van twijfel controleren door een erkende electricien.
- Inspecteer het uit te voeren werk. Bepaal het materiaal, type en formaat van de buis. Bepaal welk toebehoren geschikt is voor de werkzaamheden. Zie *het gedeelte Specificaties*.
- Ga na of al het te gebruiken gereedschap naar behoren geïnspecteerd en correct gemonteerd is.
- Plaats de machine op een vlakke, effen, stabiele ondergrond. Zie "Montage op een werkbank" in het gedeelte Samenbouwen. Controleer of het apparaat stabiel en veilig staat.
- Als de buis meer dan 6" (15 cm) uit de machine uitsteekt, gebruikt u een of meerdere geschikte steunen om de buis te ondersteunen. Plaats de steunen in lijn met de rollen. Bij langere pijpen kan het nodig zijn om meer dan één steun op te stellen. Gebruik uitsluitend steunen die specifiek voor dit doel zijn ontworpen. Het gebruik van

ongeschikte steunen of het ondersteunen van de buis met de hand kan ertoe leiden dat de machine kantelt of dat men door de bewegende onderdelen wordt gegrepen, met mogelijk lichamelijk letsel tot gevolg. Belast de steun niet zwaarder dan zijn max. capaciteit. Wanneer de buizensnijder en de steun op dezelfde ondergrond staan, gebruikt u de RIDGID PC116TS buissteun om de buis te ondersteunen.

Wanneer u aan een werkbank of een ander verhoogd werkvlak werkt, kunnen verschillende RIDGID pijpsteunen worden gebruikt om de buis te ondersteunen. Wanneer de PC116/PTC-400 op de grond wordt gebruikt, gebruikt u de RIDGID PC116TS buissteun om de buis te ondersteunen. Zie *Figuur 3*.



Figuur 3 – Opstelling van de steun



Figuur 4 – Afstellen van de steun PC116TS

Afstellen van de steun PC116TS

De PC116TS steun is een optionele accessoire die ontworpen is voor gebruik met de PC116/PTC-400 buizensnijder en is niet bedoeld voor andere toepassingen.

De kogelkoppen aan de buismaat aanpassen:

- Druk de knop in **A**
- Stel de kogelkop in op de juiste buismaat (zie *Figuur 4*) **B**
- Laat de knop los en controleer of kogelkop correct vergrendeld is **C**

Voor het aanpassen van de hoogte van de steun draait u de kraag om de kop van de steun omhoog of omlaag te bewegen. De steun is ontworpen om op dezelfde vlakke ondergrond te worden geplaatst als de PC116/PTC-400 buizensnijder. Zie *Figuur 3*. Waar nodig kunnen geschikte vulstukken (zoals een blok hout) worden gebruikt om de steun te verhogen.

- Beperk de toegang tot of versper de werkzone, zodat er rondom de machine en de buis overall minstens 3' (1 m) vrije ruimte is. Zo voorkomt u dat onbevoegden de machine of de buis aanraken, en verkleint u het risico op kantelen of gegrepen te worden door bewegende onderdelen.
- Plaats de voetschakelaar zoals getoond in *Figuur 8* in de correcte stand voor het bedienen van de machine.
- Met de schakelaar in de stand O-UIT leidt u het netsnoer langs een vrije route. Met droge handen de stekker van het netsnoer in het correct geaarde stopcontact steken. Zorg dat alle elektrische aansluitingen droog en van de grond blijven. Als het netsnoer niet lang genoeg is, dient u een verlengsnoer te gebruiken dat:
 - In goede staat verkeert.
 - Voorzien is van stekker met randaarde, net als de stekker van de elektrische buizensnijder.
 - Is goedgekeurd voor gebruik buitenshuis.
 - Een toereikende aderdikte heeft. Voor verlengsnoeren tot 50' (15,2 m) lang gebruikt u 14 AWG (2,5 mm²) of dikker. Voor verlengsnoeren van 50'-100' (15,2 m - 30,5 m) lang gebruikt u 12 AWG (4 mm²) of dikker.
- Controleer de elektrische buizensnijder op correcte werking. Met de handen veilig buiten bereik:
 - Zet de snelheidsschakelaar in de stand I-LAAG. Druk de voetschakelaar in en laat weer los. De rollen moeten in de richting draaien die door de pijlen worden aangegeven in *Figuur 5*. Als de machine niet in de juiste richting draait, of indien de machine niet met de voetschakelaar kan worden bediend, mag u de machine niet gebruiken tot de nodige reparaties zijn uitgevoerd.

- Druk de voetschakelaar in en houd hem ingedrukt. Controleer de bewegende delen op verkeerde uitlijning, vastlopen, vreemde geluiden en andere abnormale omstandigheden. Haal uw voet van de voetschakelaar. Als u enig probleem of ongewone toestand vaststelt, mag u de machine niet gebruiken tot de nodige reparaties zijn uitgevoerd.

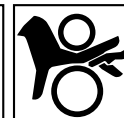


Figuur 5 – Draairichting rollen

- Zet de snelheidsschakelaar in de stand O-UIT, en trek met droge handen de stekker uit het stopcontact.

Gebruiksaanwijzing

⚠ WAARSCHUWING



Draag nooit handschoenen of loszittende kleding als u de elektrische buizensnijder bedient.

Zorg dat mouwen en jassen dichtgeknoopt zijn. Reik niet over de machine. Kledingstukken kunnen worden gegrepen door de machine en verstrikt raken.

Houd handen uit de buurt van draaiende onderdelen, zoals rollen, ruimer, snijwielletje en buis. Laat onderdelen volledig tot stilstand komen voordat u het gereedschap of de buis aanraakt. Hierdoor vermindert het risico om gegrepen te worden door bewegende delen.

Ondersteun de buizen op geschikte wijze. Dat verkleint het risico van stoot- en verbrijzelingsletsel door kantelende en vallende buizen en uitrusting.

Eén en dezelfde persoon moet het werkproces en de voetschakelaar bedienen. Alleen de gebruiker mag zich in het werkgebied bevinden wanneer de machine in werking is. Op die manier wordt het risico op letsels verminderd.

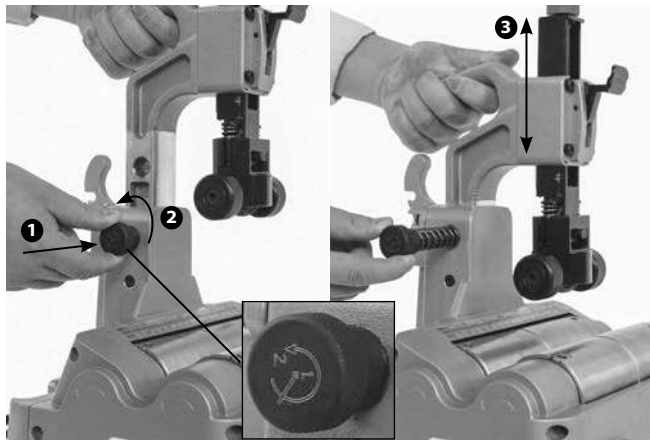
Volg de bedieningsinstructies om het risico van ernstig letsel door elektrische schok, intrekken, verbrijzelingsletsel en andere oorzaken te verkleinen en schade aan de machine te voorkomen.

Vergewis u ervan dat de machine en de werkplek naar behoren werden ingericht en dat de werkzone vrij is van omstanders en andere dingen die de gebruiker van het werk kunnen afleiden. De persoon die de machine bedient is de enige persoon die zich in de werkzone mag bevinden terwijl de machine in werking is.

Buizensnijder aan verschillende buismaten aanpassen

Snelwisselknop formaataanpassing

De snelwisselknop formaataanpassing is bedoeld voor het snel aanpassen tussen buismaten van 2" (50 mm) en kleiner en 2" tot 4" (50 mm tot 100 mm).



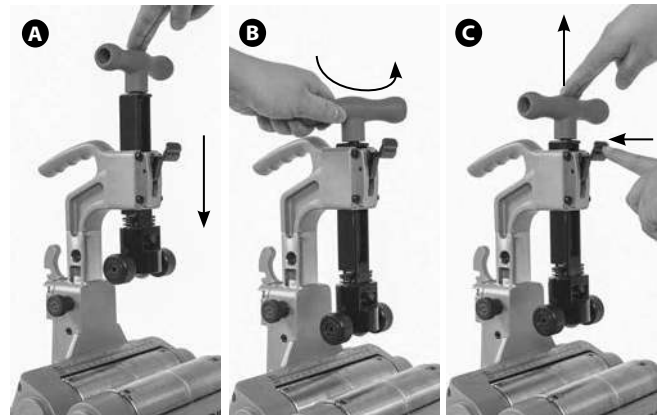
Figuur 6 – Snelwisselknop formaataanpassing

1. Zonder buis in de buizensnijder pakt u de handgreep beet en trekt u de pen los door de knop ❶ iets in te drukken en een klein stukje linksom te draaien ❷. De knop is veerbelast en springt uit de opening, houd de beweging van knop onder controle. *Zie Figuur 6.*
2. Met behulp van de handgreep beweegt u de kop in de gewenste positie ❸.
3. Steek de snelwisselknop in om de kop in de betreffende stand vast te zetten.

Snelinstelling snijkopaanvoer

Deze snelinstelling van de snijkop wordt gebruikt om het snijwiel tje tijdens de snijbewerking omlaag en omhoog te bewegen.

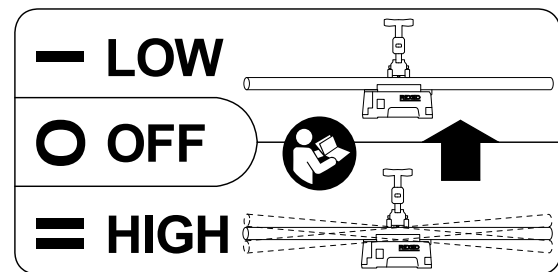
1. Om het snijwiel tje omlaag te bewegen, duwt u de handgreep omlaag (*Figuur 7A*) tot hij contact maakt met de buis.
2. Om het snijwiel tje omhoog te bewegen draait u de hendel 1-2 slagen (*Figuur 7B*) en drukt u de ontgrendeling (*Figuur 7C*) in zodat het omhoog kan bewegen (het snijwiel tje is veerbelast - controleer de beweging van de hendel met uw hand).



Figuur 7 – Snelinstelling: A-Omlaag, B-Losmaken, C-Omhoog

Selecteren/wijzigen van het toerental

De elektrische buizensnijder kent twee toerentallen - LAAG en HOOG, zie *Figuur 8*.



Figuur 8 – Toerental label

LAAG toerental (schakelaarstand I-Laag). Deze stand verlaagt de kans op trillende en oscillerende buizen tijdens het gebruik.

Aanbevolen voor buizen met een diameter van 2" (50 mm) en minder, en langer dan 6.5' (2 m)

HOOG toerental (schakelaarstand II-Hoog). Daarmee wordt de snijtijd verlaagd.

Voor buizen met een diameter van meer dan 2" (50 mm) met elke lengte

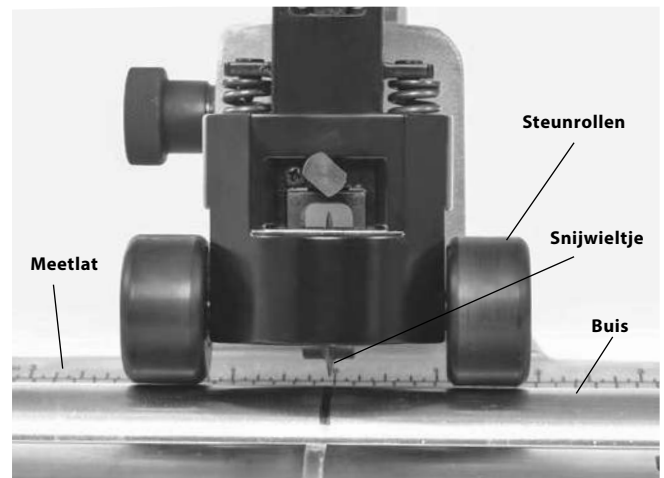
Voor elke buis korter dan 6.5' (2 m)

Trillingen en oscillaties in buizen zijn afhankelijk van veel factoren, zoals lengte, formaat, gewicht, rechtheid van de buis, uitlijning van de steun, rollensnelheid enz. Als u op een willekeurig moment voelt dat de buis extreem trilt of oscilleert, laat u de voetschakelaar los. Wanneer II-Hoge snelheid ingeschakeld is, schakelt u terug naar I-Lage snelheid en probeert u het opnieuw. Wanneer I-Lage snelheid ingeschakeld is, gebruikt u een andere snijmethode voor dat werkstuk, zoals een handsnijapparaat.

Om de snelheid te wijzigen, laat u de voetschakelaar los en wacht u tot de buizensnijder volledig tot stilstand is gekomen. Zet de schakelaar in de gewenste stand. Wissel niet van toerental terwijl de machine nog draait.

Buis snijden

1. Controleer of de buis niet zichtbaar verbogen is en er geen fittingen zijn gemonteerd. Het snijden van verbogen buizen met fittingen kan resulteren in extreme trillingen en verlies van controle. Gebruik zo nodig een handsnijapparaat. Teken de buis af op de gewenste lengte. Om het aftekenen te vergemakkelijken, is een meetlat op de machine aangebracht.
2. Indien noodzakelijk, stelt u het formaatbereik van de elektrische buizensnijder in met de snelwisselknop formaataanpassing.
3. Plaats de buis op de rollen, zodat de snijmarkering zich onder het snijwiel bevindt op het nulteken van de meetlat. Als de buis uit de machine uitsteekt, plaatst u steunen onder de buis. Steunen moeten dusdanig ingesteld zijn dat de buis recht op de rollen ligt. Daardoor kan de zaagsnede correct worden uitgevoerd. Zie Figuur 3.
4. Ga in de juiste werkhouding staan om verzekerd te zijn van een goede controle over de machine en de buis (zie Figuur 10):
 - Zorg ervoor dat gereedschappen en schakelaar onder gemakkelijk handbereik zijn.
 - Zorg ervoor dat u de voetschakelaar kunt bedienen. Trap de voetschakelaar nog niet in. In geval van nood moet u in staat zijn om de voetschakelaar los te laten.
 - Zorg ervoor dat u stevig staat en uw evenwicht niet kunt verliezen doordat u te ver moet reiken.
5. Breng het snelinstelsysteem omlaag tot de steunrollen contact maken met de buis (Figuur 9). Lijn het snijwiel uit met de markering op de buis. Draai de aanvoerschroef aan, zodat het snijwiel contact maakt met de buis. Nadat het snijwiel contact maakt met de buis draait u de aanvoerschroef nogmaals 1 tot 1½ slag vast om de buis in te klemmen. Draai de aanvoerschroef niet te ver door, dat kan de pijp ovaal vervormen wat de vorming van bramen vergroot.



Figuur 9 – Steunrollen maken contact met de buis

6. Zet de I-Laag/O-UIT/II-Hoog-schakelaar in de juiste stand om de buis te snijden
7. Druk de voetschakelaar in. De rollen en de buis beginnen te draaien. Houd uw handen uit de buurt van de draaiende onderdelen.



Figuur 10 – Snijden van de buis

8. Draai de aanvoerschroef langzaam en continu aan tot de buis gesneden is. Door een agressieve snijbewerking kan het snijwiel beschadigd raken en extreme bramen worden veroorzaakt. Zorg ervoor dat de contactrollen contact blijven maken met de buis om de buis op zijn plek te houden.

Als de buis een spiraalbeweging begint te maken, stopt u de snijbewerking en controleert u de machine-instelling en met name de uitlijning van de buissteunen.

Voor verschillende buismaterialen kan een iets hogere aandraaikracht van de aanvoerschroef nodig zijn om de draaibeweging te verbeteren.

9. Haal uw voet van de voetschakelaar. Zet de I-Laag/O-UIT/II-Hoog-schakelaar in de O-UIT-stand.
10. Wanneer de buis stopt met draaien, draait u de aanvoerschroef 1-2 slagen los en drukt u de ontgrendeling in om het snijwielte volledig omhoog te schuiven. Verwijder de buis.

De buis ruimen



Figuur 11 – Ruimer installeren

1. Plaats de I-Laag/O-UIT/II-Hoog-schakelaar in de O-UIT-stand.
2. Neem de ruimer uit de opberglocatie en monteer deze in de gebruikpositie zoals getoond in *Figuur 11*. Controleer of de ruimer op de juiste wijze gemonteerd is.
3. Zet de I-Laag/O-UIT/II-Hoog-schakelaar in de I-Laag-stand.
4. Druk de voetschakelaar in. Houd uw handen uit de buurt van de buisuiteinden en draaiende onderdelen.
5. Pak de buis stevig beet. Ondersteun de buis op juiste wijze om de controle te behouden.
6. Plaats de buis over de conus van de ruimer en oefen een lichte druk uit (*Figuur 12*) om de bramen aan de binnenzijde van het buisuiteinde te verwijderen. Druk de buis niet met kracht in de ruimer, daardoor kan de buis door de ruimer worden gegrepen en in uw handen gaan draaien.



Figuur 12 – Buis ruimen

7. Haal uw voet van de voetschakelaar.
8. Plaats de I-Laag/O-UIT/II-Hoog-schakelaar in de O-UIT-stand.
9. Verwijder de ruimer uit de gebruikpositie en plaats hem terug in de opberglocatie.

Vervoer

1. Voordat u de machine verplaatst moet u alle losse uitrustingsstukken en materiaal van de machine verwijderen of vastzetten om vallen of kantelen te voorkomen.
2. Plaats het snijwielte in de onderste stand.
3. Wikkel het netsnoer en de slang van de voetschakelaar om de snoerhaak en zet dit vast zoals getoond in *Figuur 13*.
4. Til de buizensnijder op aan de handgreep. Wees voorzichtig bij het optillen en verplaatsen. Houd rekening met het gewicht van de machine.



Figuur 13 – Snoer/slang opgewikkeld

Opslag

⚠ WAARSCHUWING De buizensnijder moet droog binnenshuis worden opgeborgen en buitenshuis goed afgedekt worden. Berg de machine op in een afgesloten ruimte, buiten het bereik van kinderen en mensen die niet vertrouwd zijn met de buizensnijder. Dit apparaat kan ernstige letsel veroorzaken wanneer het door ondeskundige gebruikers wordt bediend.

Onderhoudsinstructies

⚠ WAARSCHUWING

Controleer of de schakelaar in de stand O-UIT staat en de stekker uit het stopcontact is getrokken vooraleer u onderhoudswerkzaamheden of afstellingen aan de machine uitvoert.

Onderhoud de buizensnijder in overeenstemming met deze procedures om het risico op verwondingen door elektrische schok, verstrikking of andere oorzaken te beperken.

Reinigen

Reinig de machine na elk gebruik voorzichtig met een schone, droge doek. Houd de rollen schoon en vrij van vuil en vuildeeltjes.

Houd de ruimer schoon en vrij van spaanders voor een maximale efficiëntie.

Verwijder eventueel stof en vuildeeltjes van de motorventilatiesleuven.

Smeren

Smeer maandelijks (of vaker indien noodzakelijk) alle blootliggende, bewegende onderdelen van de elektrische buizensnijder en de PC116TS-steun (zoals aanvoerschroef, snelinstelsysteem, rollen en kantelpunten) met een lichte smeeroilie. Veeg overtollige olie op deze blootgestelde oppervlakken weg.

Het snijwieltje vervangen

Zie *Specificaties* voor de keuze van het juiste snijwieltje. Wissel het snijwieltje wanneer verschillende materialen worden gesneden, vervang het snijwieltje wanneer de snijrand afschilfert of bot wordt. In het apparaat kan een extra snijwieltje worden opgeborgen. Zie *figuur 13*.

1. Verwijder de koppelingspen. De houder van het snijwieltje valt omlaag (*Figuur 14*).



Figuur 14 – Houder van het snijwieltje verwijderen

2. Verwijder de wielpin en het snijwieltje/lager (*Figuur 15*).
3. Inspecteer het lager. Lager moet vrij kunnen draaien. Vervang het zo nodig.
4. Het snijwieltje wordt in omgekeerde volgorde geïnstalleerd.



Figuur 15 – Het snijwieltje vervangen

Overstroombeveiliging motor

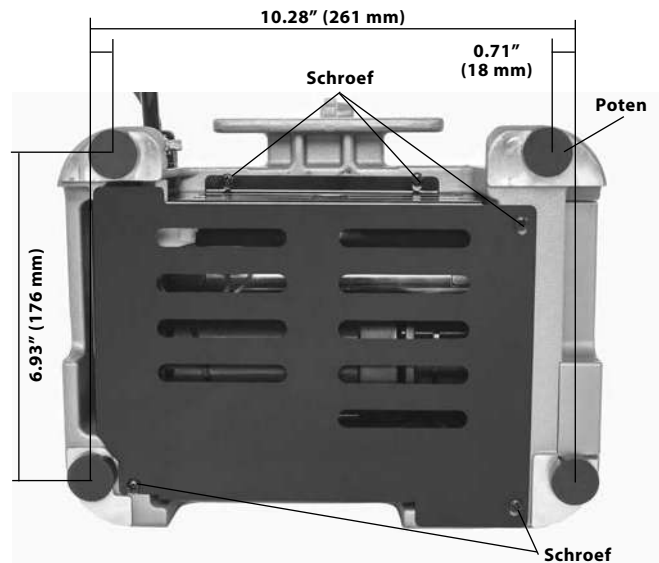
De buizensnijder is uitgerust met een overstroombeveiliging die de machine uitschakelt om de motor te beschermen als die een zeer hoog stroomverbruik kent.

Als de machine onverwacht uitschakelt, laat u de voetschakelaar los. Plaats de schakelaar in de O-UIT-stand en trek de stekker van de machine uit het stopcontact. Verwijder eventueel de buis uit de machine. Raadpleeg de gedeelten Inspectie vóór gebruik en Instellen van de machine en inrichten van de werkplek om na te gaan of de machine correct werkt.

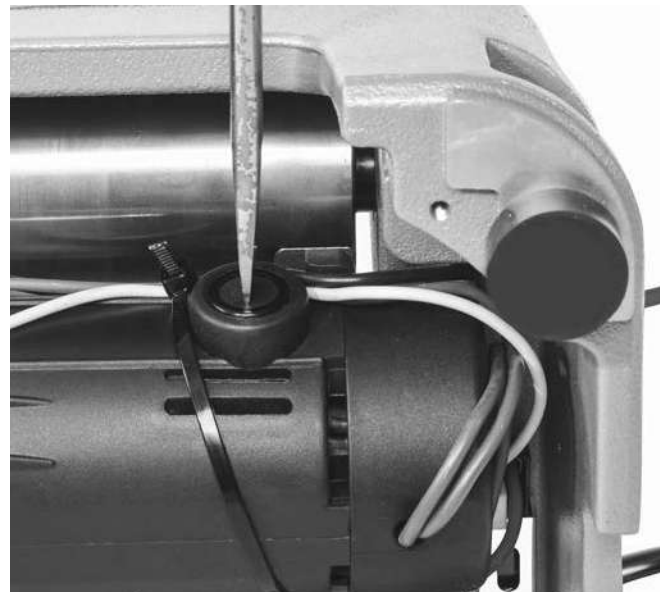
Motorkoolborstels vervangen

Controleer de motorkoolborstels elke zes maanden, de koolborstels moeten worden vervangen wanneer de lengte minder dan 5 mm (0.2") is.

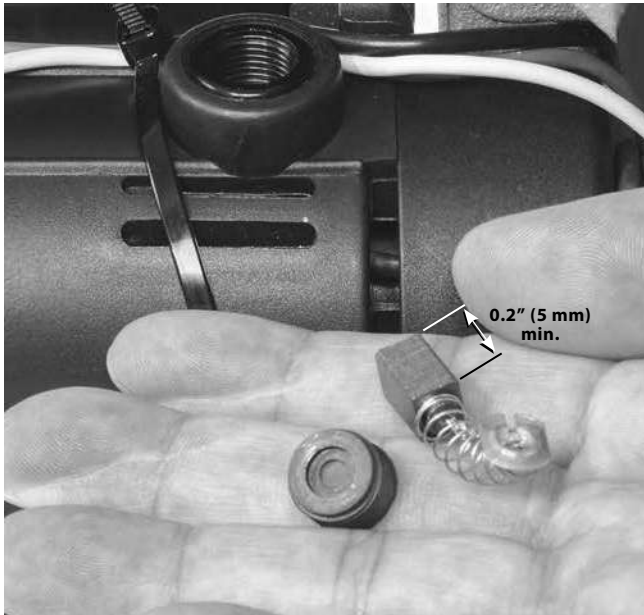
1. Controleer of de schakelaar in de O-UIT-stand staat en de stekker van de machine uit het stopcontact is getrokken.
2. Draai de vijf schroeven los waarmee de bodemplaat (Figuur 16) bevestigd is en verwijder de bodemplaat (een aantal schroeven blijven in de deksel).
3. Gebruik een schroevendraaier om de koolborstelkappen (Figuur 17) los te schroeven en te verwijderen. Verwijder de koolborstels voorzichtig en controleer de lengte (Figuur 18). Als de koolborstellengte minder dan 5 mm (0,2") is, vervangt u de koolborstels.
4. Steek de koolborstel in de borstelhouder, waarbij de nokken van de koolborstels correct in de uitsparingen van de borstelhouder vallen.
5. Draai de koolborstelkappen stevig vast. Monteer de bodemplaat weer.
6. Zodra de machine weer samengebouwd is, laat u de machine vijf minuten in de II-Hoog-stand draaien zonder buis in de machine om de koolborstels te laten inlopen.



Figuur 16 – Schroeven bodemplaat



Figuur 17 – Koolborstelkap verwijderen



Figuur 18 – Koolborstellengte inspecteren

Scan de onderstaande QR-code voor toegang tot de documentatie en de video over de PC116/PTC-400.



Problemen oplossen

PROBLEEM	MOGELIJKE REDENEN	OPLOSSING
Extreme trillingen tijdens het gebruik.	Verkeerd toerental.	Zie <i>Selecteren/wijzigen van het toerental</i> .
	Snijden van een verbogen buis.	Snij geen buizen die zichtbaar verbogen zijn. Gebruik een handsnijapparaat.
	Lange buis is niet correct ondersteund.	Ondersteun lange buizen met pijpsteunen.
	Machine niet correct gemonteerd.	Monteer de machine op correcte wijze op een vlakke ondergrond en zet deze vast met bevestigingsbouten.
Machine snijdt de buizen niet correct.	Versleten snijwieltje.	Vervang het versleten snijwieltje.
	Gebruik op verkeerde buismaat of -materiaal.	Gebruik op correct type buis (zie <i>Specificaties</i>).
Machine loopt vast tijdens het snijden.	Te zwaar aandrukken van het snijwieltje tijdens het snijden.	Druk het snijwieltje voorzichtig aan.
Machine werkt niet.	Koolborstels van de motor zijn versleten.	Monteer nieuwe motorkoolborstels.
	Overstroombescherming geactiveerd.	<i>Volg de instructies voor de overstroombeveiliging motor in het gedeelte Onderhoud.</i>
Extreme braamvorming of vervorming bij het buisuiteinde.	Versleten of beschadigd snijwieltje.	Vervang het snijwieltje.
	Te zwaar aandrukken van het snijwieltje tijdens het snijden.	Druk het snijwieltje voorzichtig aan.
Machine stopt terwijl de voetschakelaar ingedrukt is. Start opnieuw wanneer de voetschakelaar opnieuw wordt ingedrukt.	Gat in voetschakelaar/slang.	Vervang de voetschakelaar.
	Lekkende luchtschakelaar.	Als er geen probleem in de voetschakelaar/slang wordt vastgesteld, vervangt u de luchtschakelaar.

Onderhoud en reparaties

⚠ WAARSCHUWING

Gebrekkig onderhoud of een onjuiste herstelling kan het apparaat gevaarlijk maken om mee te werken.

In de *Onderhoudsinstructies* worden de meeste onderhoudsbehoeften van dit apparaat behandeld. Eventuele problemen die niet in dat hoofdstuk worden behandeld, mogen uitsluitend worden opgelost door een onafhankelijk RIDGID-onderhoudscentrum. Gebruik uitsluitend RIDGID servicedelen.

Voor informatie over het dichtstbijzijnde onafhankelijk RIDGID servicecentrum en voor al uw vragen over onderhoud of reparaties, zie de *Contactgegevens* in deze handleiding.

Optionele apparatuur

⚠ WAARSCHUWING

Om het risico op ernstige letsels te beperken, mag u alleen accessoires gebruiken die specifiek zijn ontworpen en aanbevolen voor gebruik met de RIDGID PC116/PTC-400 elektrische buizensnijder, zoals vermeld.

Catalogusnr.	Beschrijving
64903	PC116TS buissteun voor gebruik met de PC116/PTC-400
66253	PC116 220-240 V motorkoolborstel
66248	PC116 100-120 V motorkoolborstel
56662	VJ-99 28" - 52" hoge pijpsteun met V-kop
64908	137S ruimer voor PC116/PTC-400
66938	E850 snijwielkje (voor metalen buizen)
66943	E855 snijwielkje (voor kunststof buizen)
64898	Lager voor snijwielkje

Voor een volledig overzicht van alle RIDGID-toebehoren die voor deze gereedschappen beschikbaar zijn, zie de Ridge Tool-catalogus online op RIDGID.com of zie *contactgegevens*.

Afvalverwijdering

Bepaalde delen van deze werktuigen bevatten waardevolle materialen en kunnen worden gerecycled. Een bedrijf dat gespecialiseerd is in recycling vindt u ongetwijfeld ook bij u in de buurt. Verwijder de onderdelen in elk geval in overeenstemming met de geldende wet- en regelgeving. Neem contact op met uw plaatselijke afvalverwijderingsinstantie voor nadere informatie.



In EG-landen: Voer elektrische gereedschappen niet af via het huisvuil!

Conform de Europese Richtlijn 2012/19/EU betreffende afgedankte elektrische en elektronische apparatuur en de implementatie daarvan op landelijk niveau, moet elektrische apparatuur die niet meer bruikbaar is,

afzonderlijk worden ingezameld en op milieuvriendelijke wijze worden afgevoerd.

Tagliatubi

Tagliatubi elettrico PC116/PTC-400



AVVERTENZA!

Leggere attentamente il manuale di istruzioni prima di usare questo utensile. La mancata osservanza delle istruzioni contenute nel presente manuale può comportare il rischio di scosse elettriche, incendi e/o gravi lesioni personali.

Tagliatubi elettrico PC116/PTC-400

Annotare nella casella sottostante il Numero di serie così come appare sulla targhetta del nome.

N. di serie

Indice

Modulo per la registrazione del Numero di serie della macchina	81
Simboli di sicurezza	83
Avvertenze di sicurezza generali dell'utensile elettrico	83
Sicurezza nell'area di lavoro	83
Sicurezza elettrica	83
Sicurezza personale	84
Utilizzo e cura dell'utensile elettrico	84
Manutenzione	84
Informazioni specifiche di sicurezza	84
Informazioni di contatto RIDGID	85
Descrizione	85
Specifiche	86
Dotazione standard.....	86
Assemblaggio	86
Montaggio su banco	86
Ispezione prima dell'uso	87
Preparazione della macchina e dell'Area di lavoro	87
Regolazione del supporto PC116TS	88
Istruzioni per l'uso	89
Regolazione del tagliatubi per tubi di diverse dimensioni	89
Selezione/modifica della velocità di rotazione	90
Taglio del tubo.....	90
Alesatura del tubo	91
Trasporto	92
Stoccaggio	92
Istruzioni di manutenzione	92
Pulizia	92
Lubrificazione	92
Sostituzione della rotella tagliente	92
Protezione da sovracorrente del motore	93
Sostituzione delle spazzole del motore.....	93
Risoluzione dei problemi.....	95
Manutenzione e Riparazione	95
Equipaggiamento opzionale	95
Smaltimento	96
Dichiarazione di conformità CE	Coperchio posteriore interno
Garanzia a vita	Quarta di copertina

* Traduzione delle istruzioni originali

Simboli di sicurezza

Nel presente manuale dell'operatore e sul prodotto, i simboli di sicurezza e le indicazioni scritte vengono utilizzati per comunicare importanti informazioni di sicurezza. Questa sezione serve a migliorare la comprensione di tali indicazioni e simboli.



Questo è un simbolo di avviso di sicurezza. Viene utilizzato per avvertire l'utente di potenziali pericoli di lesioni personali. Rispettare tutti i messaggi che presentano questo simbolo per evitare possibili lesioni anche letali.

PERICOLO

PERICOLO indica una situazione pericolosa che, se non evitata, provoca la morte o gravi lesioni.

AVVERTENZA

AVVERTENZA indica una situazione pericolosa che, se non evitata, può provocare la morte o gravi lesioni.

PRECAUZIONE

PRECAUZIONE indica una situazione pericolosa che, se non evitata, può causare lesioni lievi o moderate.

AVVISO

AVVISO indica informazioni relative alla protezione della proprietà.



Questo simbolo significa che occorre leggere il manuale di istruzioni attentamente prima di usare l'apparecchiatura. Il manuale di istruzioni contiene informazioni importanti sull'uso sicuro e appropriato dell'apparecchiatura.



Questo simbolo significa che occorre indossare sempre gli occhiali protettivi con schermi laterali o una maschera quando si usa l'apparecchiatura per ridurre il rischio di lesioni agli occhi.



Questo simbolo indica il rischio di scosse elettriche.



Questo simbolo indica il rischio per le mani, le dita o altre parti del corpo di restare impigliate, incastrate o schiacciate nei rulli o in altre parti mobili.



Questo simbolo indica il rischio che mani, dita o altre parti del corpo possano essere tagliate dalle parti rotanti o in movimento.



Questo simbolo indica il rischio di ribaltamento della macchina, con conseguente contusione o schiacciamento.



Questo simbolo indica che non è opportuno indossare i guanti durante l'azionamento di questa macchina per ridurre il rischio di intrappolamento.

Avvertenze di sicurezza generali dell'utensile elettrico*

AVVERTENZA

Leggere tutte le avvertenze di sicurezza, le istruzioni, le illustrazioni e le specifiche fornite con questo utensile elettrico. La mancata osservanza delle istruzioni può causare folgorazione, incendi e/o lesioni gravi.

CONSERVARE TUTTE LE AVVERTENZE E LE ISTRUZIONI PER UNA SUCCESSIVA CONSULTAZIONE!

Il termine "utensile elettrico" nelle avvertenze si riferisce all'utensile alimentato a corrente (mediante un cavo) o a batteria (senza cavo).

Sicurezza nell'area di lavoro

- **Mantenere l'area di lavoro pulita e ben illuminata.** Aree disordinate o al buio favoriscono gli incidenti.
- **Non utilizzare utensili elettrici in ambienti esplosivi, come in presenza di liquidi, gas o polveri infiammabili.** Gli utensili elettrici producono scintille che possono incendiare la polvere o i fumi.
- **Mantenere i bambini e gli estranei lontani quando si utilizza l'utensile elettrico.** Qualunque distrazione può farne perdere il controllo.

Sicurezza elettrica

- **Le spine degli utensili elettrici devono coincidere con le prese. Non modificare la spina in alcun modo. Non usare adattatori con attrezzi elettrici con messa a terra (collegati a massa).** L'uso di spine integre nelle prese corrette riduce il rischio di scosse elettriche.
- **Evitare il contatto del corpo con superfici con messa a terra o collegate a massa come tubature, radiatori, forneli e frigoriferi.** Il rischio di folgorazione è maggiore se il corpo è collegato a massa o dotato di messa a terra.
- **Non esporre l'utensile elettrico alla pioggia o all'umidità.** Se penetra dell'acqua in un utensile elettrico, aumenta il rischio di scosse elettriche.
- **Fare buon uso del cavo. Non usare mai il cavo per trasportare l'utensile elettrico, per tirarlo o per staccare la spina. Mantenere il cavo al riparo dal calore, dall'olio, dagli spigoli e da parti in movimento.** I cavi danneggiati o aggrovigliati aumentano il rischio di scosse elettriche.
- **Quando si attiva un utensile elettrico all'aperto, utilizzare una prolunga adatta per l'uso in ambienti esterni.** L'uso di prolunghine per esterni riduce il rischio di scosse elettriche.
- **Se non si può evitare di usare un utensile elettrico in un ambiente umido, usare una presa protetta da un**

* Il testo usato nella sezione Avvertenze di sicurezza generali dell'utensile elettrico di questo manuale è riportato letteralmente, come richiesto, ai sensi dello standard UL/CSA/EN 62841-1 applicabile. Questa sezione contiene le procedure generali di sicurezza per molti tipi differenti di utensili elettrici. Non tutte le precauzioni si applicano a ogni utensile e alcune non si applicano a questo utensile.

interruttore differenziale (GFCI). L'uso di un interruttore differenziale (GFCI) riduce il rischio di scosse elettriche.

Sicurezza personale

- **Non distrarsi: prestare attenzione e lavorare con l'utensile elettrico usando il buon senso. Non usare l'utensile elettrico in caso di stanchezza o sotto l'effetto di droghe, alcool o farmaci.** Un momento di distrazione mentre si usano utensili elettrici può causare gravi lesioni personali.
- **Usare i dispositivi di sicurezza personale. Indossare sempre occhiali protettivi.** I dispositivi di sicurezza individuale, come una mascherina per la polvere, calzature antinfortunistiche con suola antiscivolo, casco protettivo e cuffie antirumore, usati secondo le condizioni appropriate, riducono il rischio di lesioni.
- **Evitare accensioni accidentali. Assicurarsi che l'interruttore sia in posizione OFF (SPENTO) prima di collegare l'utensile alla presa e/o alla batteria, sollevarlo o trasportarlo.** Trasportare utensili elettrici con il dito sull'interruttore o collegare alla corrente utensili con l'interruttore su ON favorisce gli incidenti.
- **Rimuovere tutti i tasti o le chiavi di regolazione prima di accendere l'utensile elettrico (ON).** Una chiave o tasto lasciato in una parte ruotante dell'utensile può causare lesioni personali.
- **Non sporgersi eccessivamente. Mantenere stabilità ed equilibrio in ogni momento.** Questo permette di tenere meglio sotto controllo l'utensile elettrico in situazioni inaspettate.
- **Indossare abbigliamento adatto. Non indossare indumenti ampi o gioielli. Mantenere i capelli e gli indumenti lontano dalle parti mobili.** Gli indumenti ampi, i gioielli o i capelli lunghi possono impigliarsi nelle parti mobili.
- **Se gli utensili sono dotati di connessione per dispositivi di estrazione o di raccolta della polvere, controllare che siano collegati e utilizzati correttamente.** L'uso di dispositivi per la raccolta della polvere può ridurre i pericoli derivanti dalla polvere.
- **Non permettere che la familiarità acquisita a seguito di un uso frequente degli utensili porti a eccessiva sicurezza e a ignorare i principi di sicurezza dell'utensile.** Un'azione avventata può causare lesioni gravi in una frazione di secondo.

Utilizzo e cura dell'utensile elettrico

- **Non forzare l'attrezzo elettrico. Usare l'utensile elettrico adatto al lavoro da svolgere.** L'utensile elettrico adatto svolgerà il lavoro meglio e con maggiore sicurezza nelle applicazioni per le quali è stato progettato.

- **Non utilizzare l'utensile elettrico se l'interruttore di accensione (ON) o spegnimento (OFF) non funziona.** Un utensile elettrico che non può essere acceso o spento è pericoloso e deve essere riparato.
- **Scollegare la spina dalla presa di corrente e/o la batteria, se rimovibile, dall'utensile elettrico prima di regolarlo, di sostituire accessori o di ripararlo.** Tali misure di sicurezza preventive riducono il rischio di accendere l'utensile elettrico accidentalmente.
- **Conservare gli utensili elettrici inutilizzati fuori dalla portata dei bambini e non consentire a persone che non abbiano familiarità con l'utensile elettrico o con queste istruzioni di attivare l'utensile.** Gli utensili elettrici sono pericolosi nelle mani di utenti inesperti.
- **Manutenzione degli attrezzi elettrici. Controllare che le parti mobili non siano disallineate o bloccate, che non ci siano parti rotte o altre condizioni che possono compromettere il funzionamento dell'utensile elettrico. Se danneggiati, fare riparare gli utensili elettrici prima del loro uso.** Molti incidenti sono causati da utensili elettrici trascurati.
- **Mantenere gli utensili da taglio affilati e puliti.** Gli utensili da taglio sottoposti a regolare manutenzione e ben affilati si inceppano di meno e sono più facili da manovrare.
- **Usare l'utensile elettrico, gli accessori e le punte, ecc. attenendosi a queste istruzioni, tenendo presenti le condizioni di utilizzo e il lavoro da svolgere.** L'utilizzo dell'utensile elettrico per operazioni diverse da quelle a cui è destinato può dare luogo a situazioni pericolose.
- **Assicurarsi che le maniglie e le superfici di presa siano asciutte, pulite e prive di olio e grasso.** Le maniglie e le superfici di presa scivolose non consentono il maneggio e controllo sicuro dell'utensile in situazioni impreviste.

Manutenzione

- **Fare eseguire la revisione dell'utensile elettrico da una persona qualificata che usi soltanto parti di ricambio originali.** Questo garantisce la sicurezza dell'utensile elettrico.

Informazioni specifiche di sicurezza

⚠ AVVERTENZA

Questa sezione contiene importanti informazioni di sicurezza specifiche per questo utensile.

Leggere attentamente queste precauzioni prima di utilizzare il tagliatubi elettrico PC116/PTC-400 al fine di ridurre il rischio di scosse elettriche o gravi lesioni.

CONSERVARE TUTTE LE AVVERTENZE E LE ISTRUZIONI PER UNA SUCCESSIVA CONSULTAZIONE!

Conservare il presente manuale con l'apparecchiatura per consentirne la consultazione all'operatore.

- **Non indossare guanti o abiti larghi durante l'utilizzo del tagliatubi elettrico. Tenere maniche e giacche allacciate.** Non sporgersi sulla macchina. Gli indumenti possono essere afferrati dalla macchina e rimanere impigliati.
 - **Non avvicinare le mani alle parti rotanti come rulli, alesatore, rotella tagliente e tubo. Prima di maneggiare l'attrezzo o il tubo in lavorazione, attendere l'arresto completo dei componenti.** Questa prassi ridurrà il rischio di intrappolamento nelle parti ruotanti.
- Fissare la macchina ad un banco o supporto stabile. Supportare adeguatamente i tubi.** Questo riduce il rischio di lesioni dovute a urto e schiacciamento causati dal ribaltamento e dalla caduta dei tubi e delle attrezzature.
- **Non tagliare tubazioni visibilmente piegate o con i raccordi collegati.** Si riduce il rischio di vibrazioni eccessive e perdita di controllo della macchina e/o delle tubazioni.
 - **Indossare sempre un'adeguata protezione per gli occhi e i dispositivi di protezione individuale adeguati.** Gli utensili da taglio possono rompersi o frantumarsi. In questo modo si riduce il rischio di lesioni.
 - **Una sola persona deve controllare il processo di lavoro e l'interruttore a pedale.** Quando la macchina è in funzione nell'area di lavoro deve essere presente solo l'operatore. Ciò contribuisce a ridurre il rischio di lesioni.
 - **Prima di utilizzare questo utensile, leggere e capire queste istruzioni e le avvertenze e le istruzioni per tutte le apparecchiature e i materiali usati, al fine di ridurre il rischio di lesioni personali gravi.**

Informazioni di contatto RIDGID

Per qualsiasi domanda su questo prodotto RIDGID®, vedere in basso:

- Contattare il proprio distributore RIDGID®.
- Visitare il sito web RIDGID.com per trovare il punto di assistenza RIDGID locale.
- Contattare il Reparto Assistenza Tecnica di Ridge Tool inviando un'e-mail all'indirizzo rtctechservices@emerson.com oppure, negli Stati Uniti e in Canada, chiamare il numero (800) 519-3456.

Descrizione

Il tagliatubi elettrico RIDGID® PC116/PTC-400 è progettato per tagliare condotti/tubazioni in plastica e metallo con dimensioni nominali da ½" a 4" (da 12 a 100 mm).

Un interruttore a due velocità controlla la velocità dei rulli mentre un interruttore pneumatico a pedale gestisce il controllo ON/OFF del motore. È inclusa una scala per la misurazione del tubo. Il tagliatubi elettrico è leggero e compatto per agevolare il trasporto.

È disponibile un alesatore opzionale per rimuovere le bave dall'interno del tubo fino a 2" (50 mm).

Il tagliatubi non è progettato per l'uso con tubazioni.

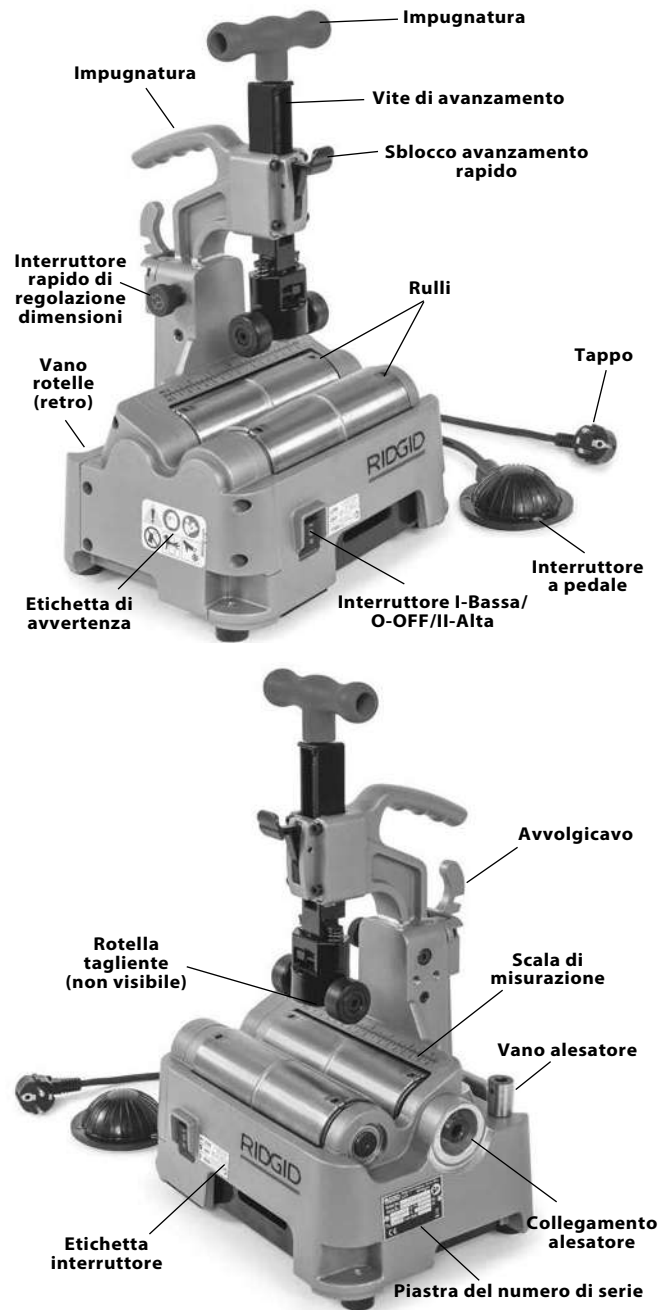


Figura 1 – RIDGID® Tagliatubi elettrico PC116/PTC-400

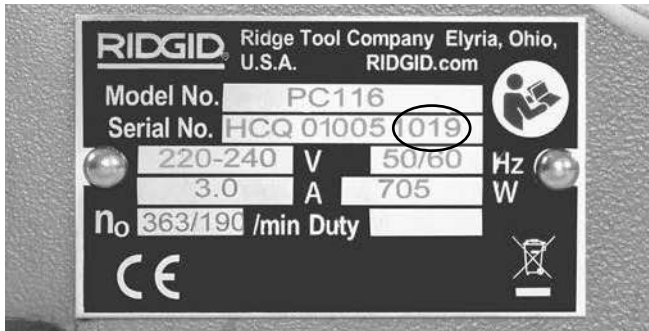


Figura 2 – Numero di serie della macchina

Il numero di serie della macchina si trova sul fianco della tagliatubi. Le ultime 4 cifre indicano il mese e l'anno di produzione. (10 = mese, 19 = anno).

Specifiche

Dimensioni nominali

del tubo Capacità di taglio da 1/2" a 4" (12 mm - 100 mm)

Capacità di taglio effettiva..... da 1/2" a 4.5" (12 mm a 116 mm)

Materiale del tubo /condotto*	Spessore massimo della parete	Rotella tagliente	
		E-850	E-855
		Cat. #66938	Cat. #66943
Acciaio al carbonio	0.1" (2,5 mm)	X	
Acciaio inox	0.1" (2,5 mm)	X	
Alluminio	0.1" (2,5 mm)	X	
Rame	0.1" (2,5 mm)		X
Plastica	0.23" (6 mm)		X

* Solo linee guida generali. La composizione del materiale, la durezza e altri fattori influenzano la capacità di taglio, la durata della ruota, la formazione di bave, ecc.

Capacità di alesatura nominale da 1/2" a 2" (12 mm - 50 mm) (accessorio opzionale)

Lunghezza max. del tubo: 20' (6m)

Motore

Tipo.....	Universale
Tensione.....	100-120V 220-240V
Corrente.....	5,8 A 3,0A
Frequenza.....	50/60 Hz 50/60 Hz
Potenza.....	705W 705W

Fare riferimento alla piastra del numero di serie del prodotto per ottenere informazioni specifiche per l'unità.

Velocità di rotazione dei rulli..... 190/363 giri/min. per 220-240 V, 225/385 giri/min. per 100-120 V

Comandi Interruttore..... I-BASSA/O-OFF /II-ALTA e interruttore a pedale ON/OFF

Peso 32 lbs. (14,5 kg)

Dimensioni compressive

Lung x Larg x Alt 11.6" x 9.4" x 15.9" (295 mm x 239 mm x 403 mm)

Temperatura di esercizio da -4° F a 122° F (da -20°C a 50°C)

Pressione sonora (L_{PA})* 82,3 dB(A), K=3

Potenza sonora (L_{WA})* 93,3 dB(A), K=3

* Le misurazioni del suono sono state effettuate in conformità con un test standardizzato conforme allo Standard EN 62481-1.

- Le emissioni sonore potrebbero variare in base all'ubicazione dell'utente e all'uso specifico di questi utensili.

- I livelli di esposizione quotidiana per il suono devono essere valutati per ciascuna applicazione e devono essere prese opportune misure di sicurezza, se necessario. La valutazione dei livelli di esposizione deve tenere conto del periodo di tempo in cui l'attrezzo è spento e non viene utilizzato. Questo calcolo potrebbe ridurre significativamente il livello di esposizione per l'intero periodo di lavoro.

Dotazione standard

Fare riferimento al Catalogo RIDGID per informazioni dettagliate sulle apparecchiature fornite con i numeri di catalogo relativi a macchine specifiche.

AVVISO La selezione degli opportuni materiali e dei metodi di installazione, accoppiamento e curvatura sono a carico del progettatore e/o dell'installatore del sistema. La selezione di metodi e materiali impropri potrebbe causare il guasto del sistema.

L'acciaio inossidabile e gli altri materiali resistenti alla corrosione possono essere contaminati durante l'installazione, l'accoppiamento e la curvatura. Questa contaminazione può causare corrosione e rottura prematura dei tubi. Prima di accingersi a qualsiasi installazione deve essere completata un'attenta valutazione di materiali e metodi per le condizioni di servizio specifiche, compresi quelli chimici e della temperatura.

Per ridurre il rischio di contaminazione ferrosa dell'acciaio inox, assicurarsi che i rulli siano puliti e privi di detriti. Pulire accuratamente con una spazzola in acciaio inox. Prima dell'uso con materiale in acciaio inox, sostituire la rotella tagliente e l'alesatore. La procedura migliore è dedicare un tagliatubi all'acciaio inox.

Assemblaggio

⚠ AVVERTENZA

Per ridurre il rischio di gravi lesioni durante l'uso, seguire queste procedure per un corretto montaggio. Prima di effettuare l'assemblaggio, posizionare l'interruttore su OFF e scollegare la macchina dall'alimentazione.

Montaggio su banco

La macchina si può installare su un banco piano e stabile. Per montare l'unità su un banco, svitare i piedini in gomma ai quattro angoli della base della macchina (vedere la Figura 16) e utilizzare bulloni M8 per fissare la macchina al banco. Stringere saldamente.

Ispezione prima dell'uso

⚠ AVVERTENZA



Prima di ogni utilizzo, esaminare il tagliatubi elettrico e correggere eventuali problemi, per ridurre il rischio di gravi lesioni dovuto a scosse elettriche, lesioni da intrappolamento e schiacciamento e altre cause, ed evitare danni alla macchina.

1. Accertarsi che il tagliatubi elettrico sia scollegato.
2. Pulire la macchina e l'equipaggiamento comprese le impugnature e i comandi. Questo facilita l'ispezione e impedisce che la macchina o il comando scivolino dalle mani dell'operatore. Pulire ed effettuare la manutenzione della macchina in base alle istruzioni di manutenzione.
3. Procedere alle seguenti ispezioni sul tagliatubi elettrico:
 - Eventuali danni o deformazioni del cavo e della spina.
 - Assemblaggio, manutenzione e allestimento adeguati.
 - Verificare anche che non siano presenti parti rotte, usurate, mancanti, disallineate o leganti, o altri danni.
 - Presenza e funzionamento dell'interruttore a pedale. Confermare che l'interruttore a pedale sia collegato, in buone condizioni, che passi da una fase all'altra e che non si incastri.
 - Libertà di movimento della vite di avanzamento, della rotella tagliente e dei rulli di supporto.
 - Presenza e leggibilità delle avvertenze e delle altre etichette (vedere Figura 1).
 - Esaminare bordi di taglio della rotella tagliente e dell'alesatore per accertarsi che non siano consumati, deformati, scheggiati e non presentino altri problemi. Rotelle taglienti smussate, danneggiate o allentate possono danneggiare l'utensile, produrre un taglio di scarsa qualità e aumentare il rischio di lesioni.
 - Se si utilizzano i supporti PC116TS, pulire, ispezionare e lubrificare secondo necessità.
 - Qualsiasi altra condizione che potrebbe impedire il funzionamento normale e sicuro.

In caso di problemi, non utilizzare l'attrezzo finché tali problemi non siano stati risolti.

4. Esaminare e conservare le altre apparecchiature che si stanno utilizzando in base alle istruzioni, per garantire che funzionino correttamente.

Preparazione della macchina e dell'Area di lavoro

⚠ AVVERTENZA



Impostare il tagliatubi elettrico e l'area di lavoro attenendosi a queste procedure per ridurre il rischio

di lesioni gravi dovute a scosse elettriche, lesioni da intrappolamento e schiacciamento e altre cause e prevenire danni alla macchina.

1. Controllare l'area di lavoro per individuare:
 - Illuminazione adeguata.
 - Liquidi, vapori o polveri infiammabili potrebbero accendersi. Se presenti, non lavorare nell'area fino a quando non se ne identifichi ed elimini la fonte. Il tagliatubi non è a prova di esplosione e può causare scintille.
 - Postazione libera, piana, stabile e asciutta per tutte le apparecchiature e l'operatore.
 - Presa elettrica propriamente messa a terra della tensione corretta. Controllare la piastra del numero di serie della macchina per informazioni sulla tensione necessaria. Una presa a tre poli o GFCI può non essere ben collegata a terra. In caso di dubbio, far controllare la presa da un elettricista autorizzato.
2. Esaminare il lavoro che deve essere svolto. Determinare il materiale, il tipo e le dimensioni del tubo. Scegliere l'apparecchiatura corretta per il lavoro specifico. *Vedere la sezione Specifiche.*
3. Verificare che tutta l'apparecchiatura da utilizzare sia stata ispezionata e montata correttamente.
4. Posizionare la macchina su una superficie piana, livellata e stabile. Vedere "Montaggio su banco" nella sezione Assemblaggio. Verificare che l'unità sia stabile e sicura.
5. Se il tubo sporge dalla macchina di oltre 6 pollici (15 cm) oltre, utilizzare uno o più supporti appropriati per sostenerlo. Posizionare i supporti in linea con i rulli. I tubi più lunghi potrebbero richiedere più di un supporto. Utilizzare soltanto i supporti per tubi progettati per questa finalità. Se si utilizzano supporti non idonei o si sostiene il tubo con la mano si possono verificare lesioni da ribaltamento o intrappolamento. Non superare la capacità del supporto indicata. Se il tagliatubi e il supporto si trovano sullo stesso piano, utilizzare il supporto per tubi RIDGID PC116TS per sostenere il tubo.

Se si lavora su un banco o su un'altra area rialzata, è possibile sostenere il tubo utilizzando diversi supporti per tubi

RIDGID. Se si utilizza la PC116/PTC-400 a terra, utilizzare il supporto RIDGID PC116TS per sostenere il tubo. *Vedere la Figura 3.*



Figura 3 – Posizionamento del supporto

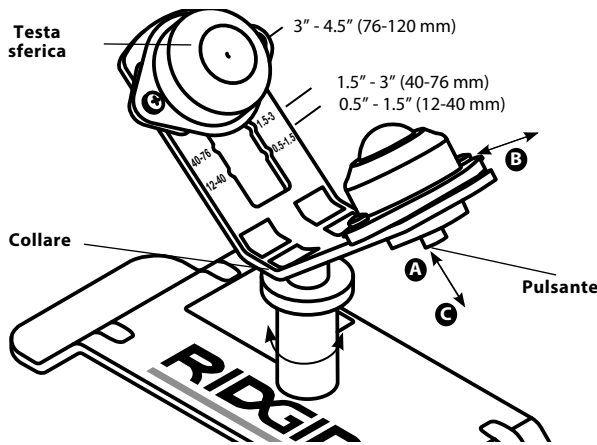


Figura 4 – Regolazione del supporto PC116TS

Regolazione del supporto PC116TS

Il supporto PC116TS è un accessorio opzionale progettato per l'uso con il tagliatubi PC116 / PTC-400 e non destinato ad altri usi.

Per regolare le teste a sfera in base alle dimensioni del tubo:

- a. Premere il pulsante **A**
- b. Spostare la testa a sfera nella posizione corretta per la dimensione del tubo (*vedere la Figura 4*) **B**
- c. Pulsante di rilascio – verificare che sia posizionato correttamente **C**

Per regolare l'altezza del supporto, ruotare il collare per alzare o abbassare la testa del supporto. Il supporto è progettato per essere posizionato sulla stessa superficie piana del tagliatubi PC116/PTC-400. *Vedere la Figura 3.* Se occorre, è possibile utilizzare distanziatori idonei (pezzi di legno) per sollevare il supporto.

6. Limitare l'accesso o predisporre protezioni o barriere per creare uno spazio minimo di 3 piedi (1 m) intorno alla macchina e al tubo. Questa procedura aiuta a impedire ai non addetti al contatto con la macchina o il tubo e riduce il rischio di ribaltamento o intrappolamento.
7. Posizionare l'interruttore a pedale come mostrato nella *Figura 8* per consentire una posizione operativa adeguata.
8. Con l'interruttore in posizione O-OFF, fare scorrere il cavo lungo un percorso libero. Con le mani asciutte, collegare correttamente il cavo alla presa di corrente dotata di messa a terra. Tenere tutti i collegamenti elettrici in un luogo asciutto e sollevati da terra. Se il cavo di alimentazione non è abbastanza lungo usare una prolunga che:
 - Sia in buone condizioni.
 - Abbia una spina a tre poli come quella del tagliatubi elettrico.
 - Sia omologata per uso esterno.
 - Le dimensioni del filo siano sufficienti. Per prolunghe fino a 50' (15,2 m), utilizzare 14 AWG (2,5 mm²) o più pesanti. Per prolunghe da 50'-100' (15,2 m - 30,5 m) utilizzare 12 AWG (2,5 mm²) o più pesanti.
9. Verificare che il tagliatubi elettrico funzioni correttamente. Con le mani libere:
 - Spostare l'interruttore di velocità sulla posizione I-BASSA. Premere e rilasciare l'interruttore a pedale. I rulli devono ruotare nel senso indicato dalle frecce nella *Figura 5*. Se la macchina non ruota nel senso corretto o l'interruttore a pedale non controlla il funzionamento della macchina, non usare la macchina finché non viene riparata.
 - Premere e tenere premuto l'interruttore a pedale. Ispezionare le parti in movimento per individuare eventuali errori di allineamento, parti bloccate, rumori insoliti o altre condizioni anomale. Rimuovere il piede dall'interruttore a pedale. Se si riscontrano condizioni insolite, non usare l'apparecchiatura finché non viene riparata.



Figura 5 - Direzione di rotazione dei rulli

10. Spostare l'interruttore di velocità nella posizione O-OFF e, con le mani asciutte, scollegare la macchina dall'alimentazione.

Istruzioni per l'uso

⚠ AVVERTENZA



Non indossare guanti o abiti larghi durante l'utilizzo del tagliatubi elettrico. Tenere maniche e giacche allacciate.

Non sporgersi sulla macchina. Gli indumenti possono essere afferrati dalla macchina e rimanere impigliati.

Non avvicinare le mani alle parti rotanti come rulli, alesatore, rotella tagliente e tubo. Prima di maneggiare l'attrezzo o il tubo in lavorazione, attendere l'arresto completo dei componenti. Questa prassi ridurrà il rischio di intrappolamento nelle parti ruotanti.

Supportare adeguatamente i tubi. Questo riduce il rischio di lesioni dovute a urto e schiacciamento causati dal ribaltamento e dalla caduta dei tubi e delle attrezzature.

Una sola persona deve controllare il processo di lavoro e l'interruttore a pedale. Quando la macchina è in funzione nell'area di lavoro deve essere presente solo l'operatore. Ciò contribuisce a ridurre il rischio di lesioni.

Seguire le istruzioni per l'uso per ridurre il rischio di lesioni gravi dovute a scosse elettriche, lesioni da intrappolamento, schiacciamento e altre cause e prevenire danni alla macchina.

Verificare che la macchina e la zona di lavoro siano state preparate adeguatamente e che la zona di lavoro non sia occupata da estranei o da altre fonti di distrazione. Quando la macchina è in funzione, l'operatore deve essere l'unico individuo nell'area.

Regolazione del tagliatubi per tubi di diverse dimensioni

Interruttore rapido di regolazione dimensioni

L'interruttore rapido di regolazione dimensioni serve per impostare rapidamente gli intervalli delle dimensioni del tubo da 2" (50 mm) o inferiori e da 2" a 4" (da 50 mm a 100 mm).

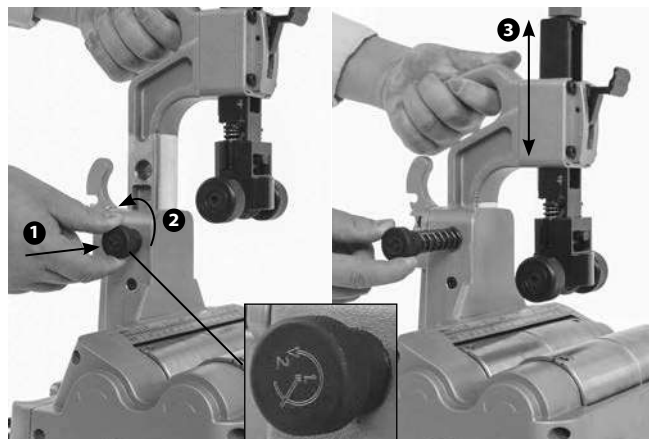


Figura 6 – Interruttore rapido di regolazione dimensioni

1. Senza tubo nel tagliatubi, afferrare l'impugnatura e rilasciare il perno premendo leggermente la manopola ❶ e ruotando leggermente in senso antiorario ❷. La manopola è caricata a molla e rientrerà, controllare il movimento della manopola. *Vedere la Figura 6.*
2. Con l'impugnatura, spostare la testa nella posizione desiderata ❸.
3. Inserire la manopola dell'interruttore rapido per mantenere la testa in posizione.

Regolazione dell'avanzamento rapido della rotella

Questa regolazione dell'avanzamento rapido della rotella tagliente serve a fare avanzare e rientrare la rotella tagliente durante l'operazione di taglio.

1. Per fare avanzare la rotella tagliente, abbassare l'impugnatura (Figura 7A) finché non si innesta nel tubo.
2. Per fare rientrare la rotella tagliente, allentare l'impugnatura/vite di avanzamento di 1-2 giri (Figura 7B) e premere il dispositivo di sblocco (Figura 7C) per consentirne il rientro (è caricata a molla – controllare il movimento dell'impugnatura).

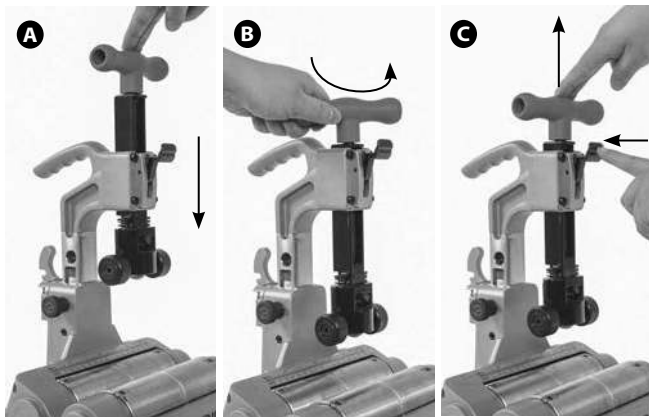


Figura 7 –Avanzamento rapido: A-Avanza, B-Stacca, C-Rientra

Selezione/modifica della velocità di rotazione

Il tagliatubi elettrico ha due velocità di rotazione: BASSA e ALTA, vedere la Figura 8.

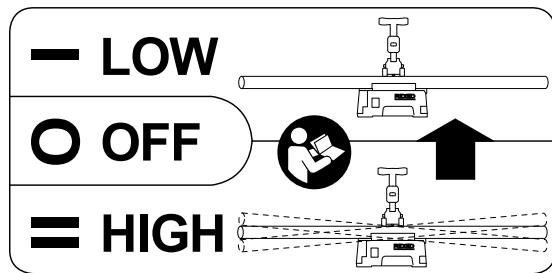


Figura 8 –Etichetta velocità

BASSA velocità (posizione dell'interruttore I-Bassa). Riduce il rischio di vibrazioni e oscillazioni del tubo durante l'uso.

Consigliata per tubi di diametro pari o inferiore a 2" (50 mm) e più lunghi di 6.5' (2 m)

ALTA velocità (posizione dell'interruttore II-Alta). Riduce il tempo di taglio.

Per tubi con diametro superiore a 2" (50 mm) di qualsiasi lunghezza

Per qualsiasi tubo più corto di 6.5' (2 m)

La vibrazione e l'oscillazione del tubo dipendono da molti fattori, quali lunghezza del tubo, dimensioni, peso, rettilineità, allineamento del supporto, velocità del rullo, ecc. Se in qualsiasi momento si avverte che il tubo vibra o oscilla eccessivamente, rilasciare l'interruttore a pedale. Se in II-Alta velocità, passare a I-Bassa velocità e riprovare. Se in I-Bassa velocità, passare a un altro metodo di taglio per quel pezzo, come un tagliatubi manuale.

Per modificare la velocità, rilasciare l'interruttore a pedale e lasciare che il tagliatubi si fermi completamente. Spostare l'interruttore nella posizione desiderata. Non modificare la velocità di rotazione mentre la macchina è in funzione.

Taglio del tubo

1. Verificare che il tubo non sia visibilmente piegato e che non siano collegati raccordi. Il taglio di tubi piegati o con raccordi può provocare vibrazioni eccessive e perdita di controllo. Se necessario, usare un tagliatubi manuale. Contrassegnare il tubo alla lunghezza desiderata. Per comodità, sulla macchina è disponibile una scala di misurazione.
2. Se necessario, regolare la gamma di dimensioni del tagliatubi elettrico con l'interruttore rapido di regolazione dimensioni.
3. Posizionare il tubo sui rulli in modo che il segno di taglio si trovi sotto la rotella tagliente, sulla tacca zero della scala. Se le tubazioni si estendono oltre la macchina, posizionare i supporti sotto il tubo. Regolare i supporti in modo che il tubo si trovi ad angolo retto sui rulli. In questo modo si contribuisce ad assicurare il corretto tracciamento del taglio. Vedere la Figura 3.
4. Assumere una posizione operativa corretta per mantenere più facilmente il controllo della macchina e del tubo (vedere la Figura 10):
 - Assicurarsi di riuscire a raggiungere senza difficoltà gli strumenti e l'interruttore.
 - Verificare di essere in grado di controllare l'interruttore a pedale. Non abbassare ancora l'interruttore a pedale. In caso di emergenza, l'operatore deve essere in grado di rilasciare l'interruttore a pedale.
 - Mantenere un buon equilibrio senza doversi sporgersi eccessivamente sulla macchina.
5. Fare avanzare il sistema di avanzamento rapido fino a quando i rulli di supporto non toccano il tubo (Figura 9). Allineare la rotella tagliente al contrassegno sulle tubazioni. Stringere la vite di avanzamento per portare la rotella tagliente a contatto con il tubo. Quando la rotella tagliente entra a contatto con il tubo, fare avanzare la vite di avanzamento di 1 altro giro fino a 1 ½ per afferrare il tubo. Non fare avanzare eccessivamente la vite di avanzamento, per non deformare il tubo e aumentare la formazione di bave.

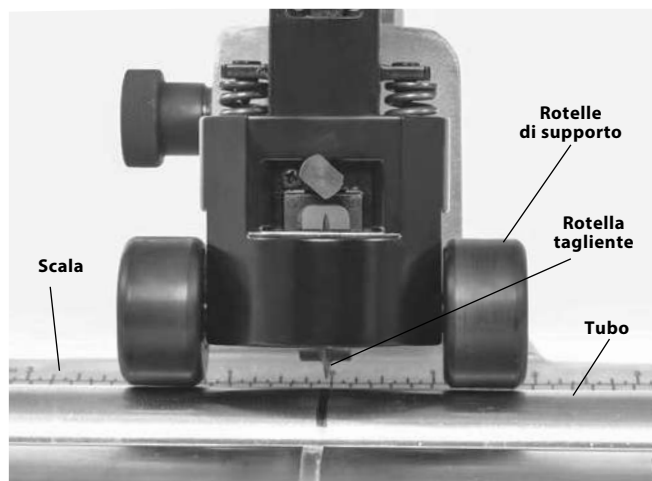


Figura 9 – Rulli di supporto a contatto con le tubazioni

6. Spostare l'interruttore I-Bassa/O-OFF/II-Alta nella posizione appropriata per il tubo da tagliare
7. Premere l'interruttore a pedale. I rulli e il tubo iniziano a ruotare. Tenere le mani lontane dalle parti rotanti.



Figura 10 – Taglio delle tubazioni

8. Fare avanzare la vite di avanzamento stringendola lentamente e in modo costante fino a tagliare il tubo. Un taglio aggressivo può danneggiare la rotella tagliente e causare bave eccessive. Mantenere i rulli di supporto a contatto con il tubo per mantenerlo in posizione.

Se durante il taglio le tubazioni si muovono a spirale, interrompere il taglio e controllare la configurazione della macchina, in particolare l'allineamento dei supporti. Tubi di materiali diversi possono richiedere un leggero serraggio aggiuntivo della vite di avanzamento per migliorare il tracciamento.

9. Rimuovere il piede dall'interruttore a pedale. Quindi spostare l'interruttore I-Bassa/O-OFF/II-Alta in posizione O-OFF.
10. Quando il tubo smette di ruotare, allentare la vite di avanzamento di 1-2 giri e premere il dispositivo di sblocco per ritrarre completamente la rotella tagliente. Rimuovere le tubazioni.

Alesatura del tubo



Figura 11 – Installazione dell'alesatore

1. Posizionare l'interruttore I-Bassa/O-OFF/II-Alta su O-OFF.
2. Rimuovere l'alesatore dalla posizione di stoccaggio e montarlo nella posizione di utilizzo come mostrato nella *Figura 11*. Verificare che l'alesatore sia montato saldamente.
3. Spostare l'interruttore I-Bassa/O-OFF/II-Alta su I-Bassa.
4. Premere l'interruttore a pedale. Tenere le mani lontane dalle estremità dei tubi e dalle parti rotanti.
5. Afferrare saldamente il tubo. Supportare adeguatamente il tubo per mantenere il controllo.
6. Posizionare il tubo sul cono dell'alesatore e applicare una leggera pressione (*Figura 12*) per rimuovere le bave dall'interno dell'estremità del tubo. Non forzare il tubo nell'alesatore, per evitare che afferrì il tubo e lo faccia ruotare tra le mani.



Figura 12 – Alesatura delle tubazioni

7. Rimuovere il piede dall'interruttore a pedale.
8. Posizionare l'interruttore I-Bassa/O-OFF/II-Alta su O-OFF.
9. Rimuovere l'alesatore dalla posizione di utilizzo e tornare alla posizione di stoccaggio.

Trasporto

1. Per evitare cadute o ribaltamenti, prima di spostare la macchina, rimuovere o fissare tutte le apparecchiature e il materiale.
2. Posizionare la rotella tagliente in posizione abbassata.
3. Avvolgere il cavo di alimentazione e il tubo flessibile dell'interruttore a pedale attorno al gancio del cavo e fissarli come mostrato nella *Figura 13*.
4. Sollevare dall'impugnatura. Fare attenzione durante il sollevamento e lo spostamento. Fare attenzione al peso della macchina.



Figura 13 – Cavo/tubo flessibile rivestito

Stoccaggio

⚠ AVVERTENZA Il tagliatubi elettrico va conservato all'asciutto e al chiuso o ben coperto se lasciato all'aperto. Conservare il prodotto in una zona chiusa a chiave, lontano dalla portata dei bambini e delle persone che non hanno familiarità con la tagliatubi. Questa macchina può provocare lesioni molto gravi se adoperata da utenti inesperti.

Istruzioni di manutenzione

⚠ AVVERTENZA

Prima di eseguire qualsiasi operazione di manutenzione o di effettuare regolazioni, assicurarsi che l'interruttore sia su O-OFF e che la macchina sia scollegata.

Eseguire la manutenzione del tagliatubi conformemente a queste procedure, per ridurre il rischio di lesioni dovute alle scosse elettriche, all'intrappolamento e ad altre cause.

Pulizia

Pulire delicatamente la macchina dopo ogni utilizzo con un panno asciutto pulito. Mantenere i rulli puliti e privi di sporco e detriti.

Mantenere l'alesatore pulito e privo di residui per la massima efficienza.

Rimuovere polvere e detriti dalle prese d'aria del motore.

Lubrificazione

Ogni mese (o più spesso se necessario) lubrificare tutte le parti mobili esposte del tagliatubi elettrico e del supporto PC116TS (quali vite di avanzamento, sistema di avanzamento rapido, rulli e punti di articolazione) con un olio lubrificante leggero. Rimuovere l'olio in eccesso dalle superfici esposte.

Sostituzione della rotella tagliente

Vedere la sezione *Specifiche* per una corretta selezione delle rotelle taglienti. Quando si tagliano materiali diversi o il margine di taglio diventa smussato o deteriorato, sostituire la rotella tagliente. È possibile conservare una rotella tagliente supplementare sull'unità. Vedere la *Figura 13*.

1. Rimuovere il perno di collegamento. Il supporto delle ruote viene rilasciato (*Figura 14*).



Figura 14 – Rimozione del supporto delle ruote

2. Rimuovere il perno della rotella e la rotella tagliente/il cuscinetto (*Figura 15*).

3. Ispezionare il cuscinetto. Il cuscinetto deve muoversi liberamente. Sostituire se necessario.
4. Procedura inverso per installare la rotella tagliente.



Figura 15 – Sostituzione della rotella tagliente

Protezione da sovracorrente del motore

Il tagliatubi è dotato di protezione da sovracorrente che spegne la macchina per proteggere il motore in caso di assorbimento eccessivo di corrente.

Se la macchina si spegne inaspettatamente, rilasciare l'interruttore a pedale. Posizionare l'interruttore su O-OFF e scollegare la macchina. Rimuovere qualsiasi tubo dalla macchina. Seguire le sezioni Ispezione prima dell'uso e Preparazione della macchina e dell'Area di lavoro per verificare che la macchina funzioni correttamente.

Sostituzione delle spazzole del motore

Controllare le spazzole del motore ogni sei mesi, sostituirle se la lunghezza è inferiore a 5 mm (0.2").

1. Verificare che l'interruttore sia su O-OFF e che la macchina sia scollegata.
2. Allentare le cinque viti che fissano il coperchio inferiore (Figura 16) e rimuovere il coperchio (alcune viti sono fissate al coperchio).
3. Utilizzare un cacciavite per svitare e rimuovere i tappi delle spazzole (Figura 17). Rimuovere delicatamente le spazzole di carbonio e controllarne la lunghezza (Figura 18). Se la lunghezza delle spazzole è inferiore a 5 mm (0.2"), sostituirle.
4. Inserire la spazzola nel portaspazzole, allineando correttamente le linguette della spazzola con i rilievi nel portaspazzole.
5. Stringere saldamente i tappi delle spazzole. Rimontare il coperchio inferiore.
6. Una volta rimontata la macchina, attivarla per cinque minuti alla velocità II-Alta senza tubo che possa rompere le spazzole.

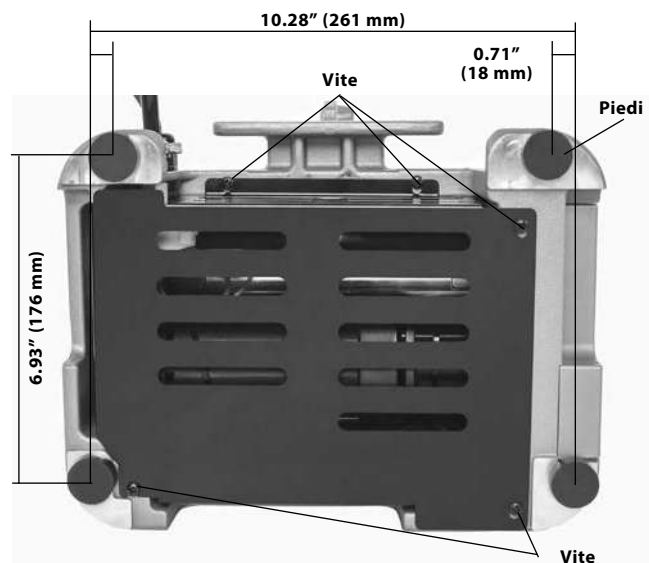


Figura 16 – Viti del coperchio inferiore

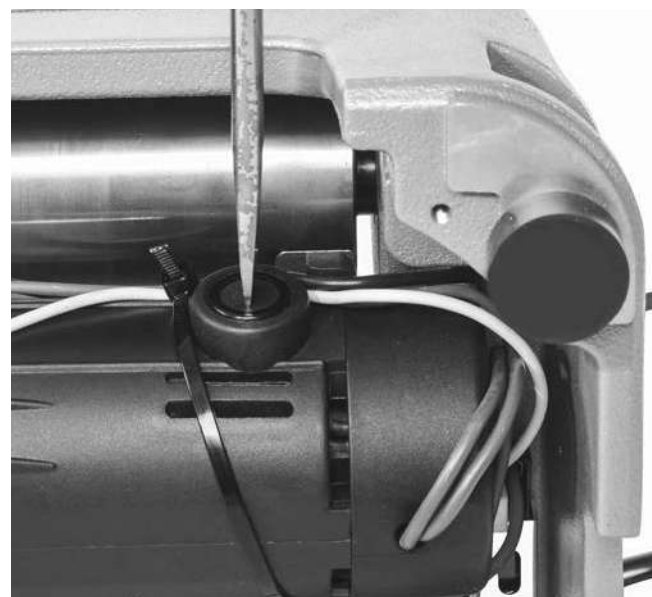


Figura 17 – Rimozione del tappo della spazzola

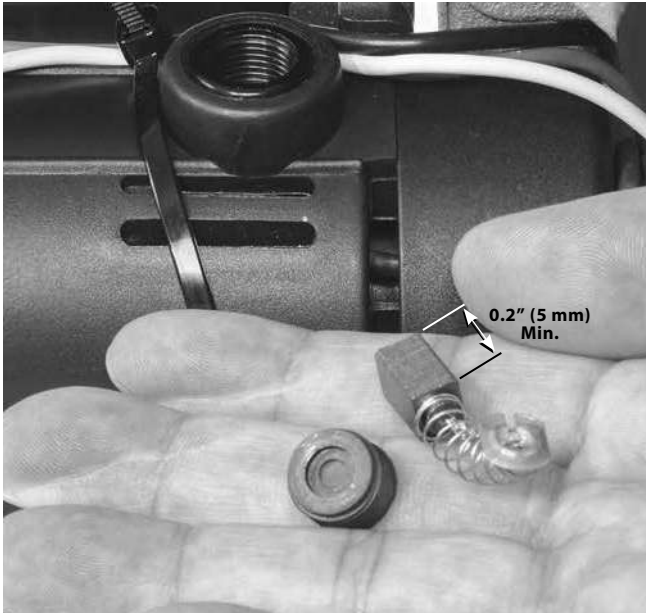


Figura 18 – Ispezionare la lunghezza della spazzola

Eseguire la scansione del codice QR qui sotto per accedere alla documentazione e al video su PC116/PTC-400.



Risoluzione dei problemi

PROBLEMA	POSSIBILI CAUSE	SOLUZIONE
Vibrazioni eccessive durante il funzionamento.	Velocità di rotazione errata.	Vedere <i>Selezione della velocità di rotazione</i> .
	Taglio di un tubo piegato.	Non tagliare un tubo visibilmente piegato. Usare un tagliatubi manuale.
	Tubo lungo non adeguatamente supportato.	Supportare il tubo lungo con supporti appositi.
	Macchina non montata correttamente.	Montare correttamente la macchina su una superficie piana, imbullonare con i bulloni di montaggio.
La macchina non taglia correttamente i tubi.	Rotella tagliente usurata.	Sostituire la rotella tagliente usurata.
	Utilizzo su tubi di dimensioni o materiali errati.	Utilizzare con tipo corretto di tubo (vedere <i>Specifiche</i>).
La macchina si blocca durante il taglio.	Avanzamento eccessivo della rotella di taglio durante il taglio.	Fare avanzare delicatamente la rotella tagliente.
La macchina non funziona.	Le spazzole del motore sono consumate.	Installare nuove spazzole motore.
	Protezione da sovracorrente attivata.	<i>Seguire le istruzioni relative alla sovracorrente del motore nella sezione Manutenzione.</i>
Bave eccessive del tubo o deformazione dell'estremità.	Rotella tagliente usurata o danneggiata.	Sostituire la rotella tagliente.
	Avanzamento eccessivo della rotella di taglio durante il taglio.	Fare avanzare delicatamente la rotella tagliente.
La macchina si arresta quando si preme l'interruttore a pedale. Si riavvia quando si rilascia l'interruttore a pedale.	Foro nell'interruttore a pedale/nel tubo flessibile.	Sostituire l'interruttore a pedale.
	Perdite dall'interruttore dell'aria.	Se non vengono rilevati problemi con l'interruttore a pedale/tubo flessibile, sostituire l'interruttore dell'aria.

Manutenzione e Riparazione

⚠ AVVERTENZA

Manutenzione o riparazioni inadeguate possono rendere non sicuro il funzionamento del dispositivo.

Le *Istruzioni di manutenzione* descrivono buona parte delle necessità di manutenzione di questa macchina. Gli eventuali problemi non trattati in questa sezione devono essere gestiti da un tecnico di un Centro di Assistenza Indipendente RIDGID. Usare soltanto parti di servizio RIDGID.

Per informazioni sul Centro di Assistenza Indipendente RIDGID più vicino o per rivolgere domande sulla manutenzione o riparazione, *consultare la sezione Informazioni di contatto* in questo manuale.

Equipaggiamento opzionale

⚠ AVVERTENZA

Per ridurre il rischio di lesioni gravi, usare esclusivamente accessori progettati espressamente e raccomandati per l'uso con il Tagliatubi elettrico PC116/PTC-400 RIDGID, come quelli elencati.

N. di catalogo	Descrizione
64903	Supporto per tubi PC116TS per l'impiego con PC116/PTC-400
66253	Spazzola motore in carbonio PC116 220-240V
66248	Spazzola motore in carbonio PC116 100-120V
56662	Cavalletto per tubi alto 28" - 52" con testa a V VJ-99
64908	Alesatore 1375 per PC116/PTC-400
66938	Rotella tagliente E850 (per tubo metallico)
66943	Rotella tagliente E855 (per tubo in plastica)
64898	Cuscinetto rotella tagliente

Per un elenco completo delle apparecchiature RIDGID disponibili per questi utensili, consultare il Catalogo Ridge Tool online sul sito web RIDGID.com oppure consultare le *Informazioni riguardanti il cliente*.

Smaltimento

Parti di questi utensili contengono materiali di valore e possono essere riciclate. Nella propria zona potrebbero esservi aziende specializzate nel riciclaggio. Smaltire i componenti in conformità con tutte le normative in vigore. Contattare l'autorità locale di gestione dello smaltimento per maggiori informazioni.



Per i Paesi CE: Non smaltire le apparecchiature elettriche con i rifiuti domestici!

Secondo la Direttiva europea 2012/19/UE sullo Smaltimento di apparecchiature elettriche ed elettroniche e la sua implementazione nella legislazione nazionale, le apparecchiature elettriche che non sono più utilizzabili devono essere raccolte separatamente e smaltite in modo ecocompatibile.

Cortador de tubos

Cortador de tubos elétrico PC116/PTC-400



AVISO!

Leia o Manual do Operador cuidadosamente antes de utilizar esta ferramenta. A não compreensão e a inobservância do conteúdo deste manual pode resultar em choque elétrico, incêndio, e/ou ferimentos pessoais graves.

Cortador de tubos elétrico PC116/PTC-400

Registre o Número de Série abaixo e retenha o número de série do produto localizado na placa de nome.

N.º de
série

--	--


Índice

Formulário de registo do número de série da máquina	97
Símbolos de segurança	99
Avisos de segurança gerais para ferramentas elétricas	99
Segurança da área de trabalho	99
Segurança elétrica	99
Segurança pessoal.....	100
Utilização e manutenção da ferramenta elétrica.....	100
Serviço	101
Informações de segurança específicas	101
Informações de contacto da RIDGID	101
Descrição	101
Especificações	102
Equipamento padrão	103
Montagem	103
Montagem em bancada	103
Inspeção antes da colocação em funcionamento	103
Preparação da máquina e da área de trabalho	104
Ajuste/suporte PC116TS.....	104
Instruções de funcionamento	105
Ajustar o cortador para diferentes dimensões de tubo	106
Selecionar/alterar a velocidade de funcionamento	106
Corte do tubo	107
Escareação do tubo	108
Transporte	108
Armazenamento	109
Instruções de manutenção	109
Limpeza.....	109
Lubrificação.....	109
Substituir a roda de corte.....	109
Proteção contra sobrecorrente do motor	110
Substituir escovas do motor.....	110
Resolução de problemas	112
Serviço e reparação.....	112
Equipamento opcional	112
Eliminação	113
Declaração de Conformidade CE	Contracapa interior
Garantia vitalícia	Contracapa

* Tradução das instruções originais

Símbolos de segurança

Neste manual do operador e no produto são utilizados símbolos de segurança e palavras de advertência para comunicar informações de segurança importantes. Esta secção é fornecida para melhorar a compreensão destas palavras e símbolos de advertência.

 Este é o símbolo de alerta de segurança. É utilizado para alertar quanto a potenciais perigos de ferimentos pessoais. Respeite todas as mensagens de segurança que se seguem a este símbolo para evitar possíveis ferimentos ou morte.

⚠ PERIGO PERIGO indica uma situação perigosa que, se não for evitada, resultará em morte ou ferimento grave.

⚠ AVISO AVISO indica uma situação perigosa que, se não for evitada, poderá resultar em morte ou ferimento grave.

⚠ ATENÇÃO ATENÇÃO indica uma situação perigosa que, se não for evitada, poderá resultar em ferimentos ligeiros a moderados.

NOTA NOTA indica informações relacionadas com a proteção de propriedade.



Este símbolo significa que deve ler o manual do operador cuidadosamente antes de utilizar o equipamento. O manual do operador contém informações importantes sobre o funcionamento seguro e adequado do equipamento.



Este símbolo significa que deve utilizar sempre óculos de proteção com proteções laterais, ou viseiras de proteção, ao manusear este equipamento, de forma a reduzir o risco de ferimentos oculares.



Este símbolo indica o risco de choque elétrico.



Este símbolo indica o risco de mãos, dedos ou outras partes do corpo serem apanhados ou enrolados nos roletes ou outras peças em movimento.



Este símbolo indica o risco de corte das mãos, dos dedos ou de outras partes do corpo pelas partes rotativas ou móveis.



Este símbolo indica o risco da máquina tombar, causando ferimentos por pancada ou esmagamento.



Este símbolo significa que não deve usar luvas durante a utilização desta máquina para reduzir o risco de emaranhamento.

Avisos de segurança gerais para ferramentas elétricas*

⚠ AVISO

Leia todos os avisos de segurança, instruções, ilustrações e especificações fornecidos com esta ferramenta elétrica. A não observância de todas as instruções abaixo indicadas pode resultar em choque elétrico, incêndio e/ou lesões graves.

GUARDE TODOS OS AVISOS E INSTRUÇÕES PARA REFERÊNCIA FUTURA!

O termo "ferramenta elétrica" nos avisos refere-se à sua ferramenta elétrica com ligação à corrente elétrica (com cabo) ou alimentada por bateria (sem cabo).

Segurança da área de trabalho

- **Mantenha a área de trabalho limpa e bem iluminada.** Áreas desarrumadas ou mal iluminadas podem provocar acidentes.
- **Não opere ferramentas elétricas em atmosferas explosivas, como na presença de líquidos inflamáveis, gases ou pó.** As ferramentas elétricas criam faíscas que podem inflamar o pó ou fumos.

- **Mantenha crianças e visitantes fora do alcance enquanto opera uma ferramenta elétrica.** As distrações podem fazê-lo perder o controlo.

Segurança elétrica

- **As fichas das ferramentas elétricas têm de corresponder adequadamente à tomada. Nunca modifique a ficha. Não utilize adaptadores de ficha em ferramentas elétricas com ligação à terra.** Fichas não modificadas e tomadas correspondentes reduzirão o risco de choque elétrico.
- **Evite o contacto corporal com superfícies ligadas à terra ou à massa, tais como canos, radiadores, fogões e frigoríficos.** O risco de choque elétrico aumenta se o seu corpo estiver em contacto com a terra ou a massa.
- **Não exponha as ferramentas elétricas à chuva ou humidade.** O risco de choque elétrico aumenta com a entrada de água na ferramenta elétrica.
- **Não force o cabo. Nunca use o cabo elétrico para transportar, puxar ou desligar a ferramenta elétrica da tomada. Proteja o cabo elétrico do calor, óleo, arestas afiadas e peças móveis.** Os cabos danificados ou emaranhados aumentam o risco de choque elétrico.

* O texto utilizado na secção de Avisos Gerais de Segurança com Ferramentas Elétricas deste manual é literal, conforme exigido pela norma UL/CSA/EN 62841-1 aplicável. Esta secção contém práticas de segurança gerais para muitos tipos diferentes de ferramentas elétricas. Nem todas as precauções se aplicam a todas as ferramentas, e algumas não se aplicam a esta ferramenta.

- **Ao utilizar a ferramenta elétrica no exterior, use um cabo de extensão adequado para utilização no exterior.** O uso de um cabo adequado a exteriores reduz o risco de choque elétrico.
- **Se tiver de utilizar uma ferramenta elétrica num ambiente húmido, use um corta-circuito protegido em caso de falha na terra (GFCI).** A utilização de GFCI reduz o risco de choque elétrico.

Segurança pessoal

- **Mantenha-se alerta, atento ao que está a fazer e use o bom senso ao utilizar uma ferramenta elétrica. Não utilize uma ferramenta elétrica se estiver cansado ou sob a influência de drogas, álcool ou medicamentos.** Um momento de desatenção durante a utilização de ferramentas elétricas pode resultar em lesões pessoais graves.
- **Use equipamento de proteção pessoal. Utilize sempre proteção para os olhos.** O equipamento de proteção, como máscaras para o pó, calçado de segurança antiderrapante, capacete ou proteção auricular, utilizado nas condições apropriadas, reduz a ocorrência de ferimentos pessoais.
- **Evite a colocação em funcionamento não intencional. Certifique-se de que o interruptor está na posição desligada (OFF) antes de ligar à alimentação e/ou à bateria, pegar ou transportar a ferramenta.** Transportar ferramentas elétricas com o dedo no interruptor ou ligar à alimentação ferramentas elétricas que têm o interruptor ligado (ON) são comportamentos propensos a acidentes.
- **Retire qualquer chave de ajuste ou aperto da ferramenta elétrica antes de ligá-la (ON).** Uma chave de ajuste ou aperto deixada numa peça rotativa da ferramenta elétrica pode resultar em ferimentos pessoais.
- **Não se debruce com a ferramenta se com isso perder o equilíbrio. Mantenha uma colocação de pés adequada e o equilíbrio em todos os momentos.** Isto permite um melhor controlo da ferramenta elétrica em situações inesperadas.
- **Vista roupa adequada. Não utilize roupa larga ou joias. Mantenha o cabelo e a roupa fora do alcance das peças móveis.** As roupas largas, as joias ou o cabelo comprido podem ficar presos nas peças móveis.
- **Se forem fornecidos dispositivos para a ligação de sistemas de extração e recolha de pó, assegure-se de que estes são ligados e utilizados corretamente.** A utilização de um coletor de poeiras pode reduzir os perigos relacionados com o pó.
- **Não deixe que a familiarização ganha com a utilização frequente de ferramentas deixe com que fique complacente e ignore os princípios de segurança.** Uma ação descuidada pode causar ferimentos graves numa fração de segundos.

Utilização e manutenção da ferramenta elétrica

- **Não force a ferramenta. Utilize a ferramenta elétrica correta na sua aplicação.** A ferramenta elétrica correta fará sempre um trabalho melhor e mais seguro à velocidade para que está concebida.
- **Não utilize a ferramenta elétrica se o interruptor não a ligar (ON) e desligar (OFF).** Uma ferramenta elétrica que não possa ser controlada com o interruptor é perigosa e tem de ser reparada.
Desligue a ficha da alimentação elétrica e/ou retire a bateria, se for amovível, da ferramenta elétrica antes de fazer qualquer ajuste, mudar um acessório ou guardar as ferramentas elétricas. Estas medidas de prevenção reduzem o risco de ligar a ferramenta elétrica acidentalmente.
- **Guarde as ferramentas elétricas que não estejam em utilização fora do alcance das crianças e não permita que pessoas não familiarizadas com a ferramenta elétrica ou as respetivas instruções operem a ferramenta.** As ferramentas elétricas são perigosas nas mãos de utilizadores sem formação profissional.
- **Mantenha as ferramentas elétricas em bom estado. Verifique se as peças móveis funcionam perfeitamente e não emperram, bem como se há peças quebradas ou danificadas que possam influenciar o funcionamento da ferramenta. Se a ferramenta elétrica estiver danificada, envie-a para reparação antes de a utilizar.** Muitos acidentes são causados por ferramentas elétricas em mau estado de conservação.
- **Mantenha as ferramentas de corte afiadas e limpas.** Ferramentas de corte com manutenção adequada e bem afiadas têm menos probabilidades de prender e são mais fáceis de controlar.
- **Utilize a ferramenta elétrica, os acessórios, e as pontas e brocas etc. de acordo com estas instruções, levando em conta as condições de trabalho e as operações a realizar.** A utilização da ferramenta elétrica para fins não previstos pode resultar em situações perigosas.
- **Mantenha os punhos e as superfícies de pega secos, limpos e livres de óleo e gordura.** Os punhos escorregadios e as superfícies de pega não permitem um manuseamento e controlo seguros de situações inesperadas com a ferramenta.

Serviço

- A sua ferramenta elétrica deve ser reparada por um técnico qualificado, utilizando apenas peças sobresselentes idênticas. Isso garante que a ferramenta elétrica se mantém segura.

Informações de segurança específicas

⚠ AVISO

Esta secção contém informações de segurança importantes específicas desta ferramenta.

Leia estas precauções cuidadosamente antes de utilizar o Cortador de tubos elétrico PC116/PTC-400, para reduzir o risco de choque elétrico ou outros ferimentos graves.

GUARDE TODOS OS AVISOS E INSTRUÇÕES PARA REFERÊNCIA FUTURA!

Mantenha este manual com a máquina, para utilização pelo operador.

- **Não use luvas nem roupas largas quando estiver a utilizar o Cortador de tubos elétrico. Mantenha as mangas e casacos abotoados.** Não se estenda sobre a máquina. A roupa pode ficar presa na máquina, resultando em emaranhamento.
- **Mantenha as mãos afastadas das peças rotativas, como roletes, o escareador, a roda de corte e o tubo. Deixe que as peças parem totalmente antes de manusear a ferramenta ou o tubo.** Esta prática reduzirá a hipótese de ficar preso nas peças rotativas.
- **Fixe a máquina a um banco ou suporte estáveis. Apoie corretamente os tubos.** Isto reduzirá o risco de ferimentos por embate ou esmagamento causados por queda do tubo ou do equipamento.
- **Não corte tubagem visivelmente dobrada ou tubagem com acessórios conectados.** Reduz o risco de vibração excessiva e perda de controlo da máquina e/ou da tubagem.
- **Utilize sempre proteção ocular adequada e equipamento de proteção individual adequado.** As ferramentas de corte podem quebrar ou estilhaçar. Isto reduzirá o risco de ferimentos.
- **A mesma pessoa tem de controlar o processo de trabalho e o interruptor de pedal.** Apenas o operador deve estar na área de trabalho quando a máquina estiver em funcionamento. Isto ajuda a reduzir o risco de ferimentos.

- **Leia e compreenda estas instruções e as instruções e avisos para todo o equipamento e materiais a utilizar antes de operar esta ferramenta para reduzir o risco de ferimentos pessoais.**

Informações de contacto da RIDGID

Se tiver alguma pergunta relativamente a este produto RIDGID®:

- Contacte o seu distribuidor local RIDGID®.
- Visite RIDGID.com para encontrar o seu ponto de contacto RIDGID.
- Contacte o Departamento de Assistência Técnica da Ridge Tool pelo endereço de correio eletrónico rttechservices@emerson.com, ou no caso dos E.U.A. e Canadá, ligue para (800) 519-3456.

Descrição

O Cortador de tubos elétrico PC116/PTC-400 da RIDGID® está desenhado para cortar tubagem/conduitas metálicas e de plástico de ½" a 4" de dimensão nominal (12 a 100 mm).

Um interruptor de duas velocidades controla a velocidade do rolete, e um interruptor de pedal pneumático fornece o controlo para ligar e desligar o motor. Inclui-se uma escala para medição de tubos. O Cortador de tubos elétrico é leve e compacto, para facilitar o transporte.

Está disponível um escareador opcional para remover rebarbas do interior da tubagem, até 2" (50 mm).

O cortador de tubos não está desenhado para utilizar com canos.



Figura 1 – Cortador de tubos elétrico PC116/PTC-400 da RIDGID®

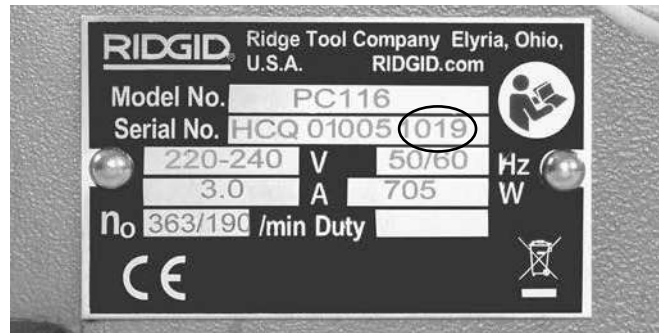


Figura 2 – Número de série da máquina

O número de série da máquina encontra-se no lado lateral do cortador. Os últimos 4 dígitos indicam o mês e o ano do fabrico. (10 = mês, 19 = ano).

Especificações

Capacidade de corte de dimensões nominais de tubos ½" a 4" (12 mm a 100 mm)
 Capacidade de corte real ½" a 4.5" (12 mm a 116 mm)

Material do tubo/da conduta*	Espessura máxima da parede	Roda de corte	
		E-850 Cat. #66938	E-855 Cat. #66943
Aço-carbono	0.1" (2,5 mm)	X	
Aço inoxidável	0.1" (2,5 mm)	X	
Alumínio	0.1" (2,5 mm)	X	
Cobre	0.1" (2,5 mm)		X
Plástico	0.23" (6 mm)		X

* Apenas para orientação geral. A composição e dureza do material, bem como outros fatores, afetam a capacidade de corte, a vida útil da roda, a formação de rebarbas, etc.

Capacidade nominal de escareação ½" a 2" (12 mm a 50 mm) (acessório opcional)

Comprimento máx. do tubo 20' (6 m)

Motor

Tipo.....	Universal	
Tensão.....	100-120 V	220-240 V
Corrente.....	5,8 A	3,0 A
Frequência.....	50/60 Hz	50/60 Hz
Potência.....	705 W	705 W

Consulte a placa de série no produto para informações específicas da unidade.

Velocidade rotacional do rolete..... 190/363 RPM para 220-240 V, 225/385 RPM para 100-120 V

Controlos..... Interruptor I-BAIXO/O-DESLIGADO/II-ALTO e interruptor de pedal LIGAR/DESLIGAR

Peso 32 lbs. (14,5 kg)
 Dimensões gerais
 C x L x A 11.6" x 9.4" x 15.9"
 (295 mm x 239 mm x 403 mm)

Temperatura de funcionamento 4 °F a 122 °F (-20 °C a 50 °C)

Pressão acústica (L_{pA})* 82,3 dB(A), K=3

Potência acústica (L_{WA})* 93,3 dB(A), K=3

* As medições de som são feitas em conformidade com um teste padronizado segundo a Norma EN 62481-1.

- As emissões acústicas podem variar consoante a sua localização e utilização específica destas ferramentas.

- Os níveis de exposição diária para som devem ser avaliados para cada aplicação e devem ser tomadas medidas de segurança, quando necessário. A avaliação dos níveis de exposição deve considerar o tempo em que uma ferramenta está desligada e não em utilização. Isto pode reduzir significativamente o nível de exposição ao longo do período de trabalho total.

Equipamento padrão

Consulte o catálogo para mais informações sobre o equipamento fornecido com os números de catálogo específicos da máquina.

NOTA A seleção de materiais e de métodos de instalação, ligação e formação adequados são da responsabilidade do desenhador e/ou do instalador do sistema. A seleção de materiais e métodos inadequados pode provocar uma falha no sistema.

Aço inoxidável e outros materiais resistentes à corrosão podem ficar contaminados durante a instalação, ligação e formação. Esta contaminação pode provocar corrosão e uma falha prematura. Deve fazer-se uma avaliação cuidada dos materiais e métodos para as condições de serviço específicas, incluindo químicas e de temperatura, antes de qualquer tentativa de instalação.

Para reduzir o risco de contaminação ferrosa do aço inoxidável, certifique-se de que os roletes estão limpos e livres de resíduos. Limpe cuidadosamente com uma escova em aço inoxidável. Substitua a roda de corte e o escareador antes da utilização com material em aço inoxidável. A melhor prática é reservar um cortador exclusivamente para aço inoxidável.

Montagem

⚠ AVISO

Para reduzir o risco de ferimentos graves durante a utilização, siga estes procedimentos para uma montagem adequada. O interruptor deve estar na posição OFF e a máquina deve estar desligada da tomada antes da montagem.

Montagem em bancada

A máquina pode montar-se numa bancada nivelada e estável. Para montar a unidade numa bancada, desaparafuse os pés de borracha nos quatro cantos da base da máquina (Ver Figura 16) e utilize parafusos M8 para fixar a máquina à bancada. Aperte de forma segura.

Inspeção antes da colocação em funcionamento

⚠ AVISO



Antes de cada utilização, inspecione o seu Cortador de tubos e corrija quaisquer problemas para reduzir o risco de ferimentos graves decorrentes de choque elétrico, emaranhamento, ferimentos por esmagamento e outras causas e evitar danos na máquina.

1. Certifique-se que o Cortador de tubos elétrico está desligado.
 2. Limpe a máquina e o equipamento, incluindo as pegas e os controlos. Isto facilita a inspeção e ajuda a impedir que a máquina ou o controlo escorreguem da mão. Limpe e mantenha a máquina de acordo com as instruções de manutenção.
 3. Inspeccione o Cortador de tubos elétrico relativamente a:
 - Inspeccione a existência de danos ou modificação no cabo ou tomada.
 - Montagem e manutenção correta e completa.
 - Quaisquer peças partidas, gastas, em falta, desalinhas ou de união ou outros danos.
 - Presença e funcionamento do interruptor de pedal. Confirme que o interruptor de pedal está fixo, em boas condições e que faz o seu ciclo de forma suave e não prende
 - Movimento livre do parafuso de alimentação, da roda de corte e dos roletes de suporte.
 - Presença e legibilidade das etiquetas de aviso e outras. (Consulte a Figura 1).
 - Inspeccione as extremidades de corte da roda de corte e do escareador quanto a desgaste, deformação, lascas ou outros problemas. Cortadores rombos, danificados ou soltos podem danificar a ferramenta, produzir cortes de fraca qualidade e aumentar o risco de ferimentos.
 - Se utilizar o(s) suporte(s) PC116TS, limpe, inspecione e lubrifique conforme necessário.
 - Qualquer condição que possa impedir o funcionamento normal e seguro.
- Caso encontre algum problema, não utilize a ferramenta até ter reparado os problemas.
4. Inspeccione e realize a manutenção de qualquer outro equipamento em utilização, segundo as respetivas instruções, de forma a assegurar que funciona corretamente.

Preparação da máquina e da área de trabalho

⚠ AVISO



Configure o Cortador de tubos elétrico e a área de trabalho de acordo com estes procedimentos, para reduzir o risco de ferimentos graves decorrentes de choque elétrico, emaranhamento, ferimentos por esmagamento e outras causas, e evitar danos na máquina.

reduzir o risco de ferimentos graves decorrentes de choque elétrico, emaranhamento, ferimentos por esmagamento e outras causas, e evitar danos na máquina.

1. Verifique a área de trabalho relativamente a:
 - Iluminação adequada.
 - Líquidos inflamáveis, vapores ou pó que possam inflamar-se. Se estes estiverem presentes, não trabalhe nessa área até que as fontes dos mesmos estejam identificadas e corrigidas. O cortador não é à prova de explosão e pode causar faíscas.
 - Uma localização livre, nivelada, estável e seca para todo o equipamento e para o operador.
 - Tomada elétrica com a devida tensão adequadamente ligada à terra. Verifique a placa de série da máquina para a tensão adequada. Uma tomada de três espigões ou GFCI pode não estar adequadamente ligada à terra. Em caso de dúvida, peça a um electricista licenciado que inspecione a tomada.
2. Inspeccione o trabalho a realizar. Determine o material, tipo e dimensão do tubo. Determine qual é o equipamento correto para o trabalho. *Ver a secção Especificações.*
3. Confirme que todo o equipamento a utilizar foi devidamente inspecionado e montado.
4. Coloque a máquina numa superfície plana, nivelada e estável. *Ver "Montagem em bancada" na secção Montagem.* Confirme que a unidade está estável e segura.
5. Se o tubo for prolongar-se a mais de 6" (15 cm) da máquina, utilize um ou mais suportes adequados para o apoiar. Coloque os suportes alinhados com os roletes. O tubo mais longo pode precisar de mais do que um suporte. Utilize apenas suportes concebidos para este objetivo. Suportes do tubo impróprios ou suportar o tubo manualmente pode causar inclinação ou ferimentos por emaranhamento. Não ultrapasse a capacidade marcada no suporte. Quando o cortador e o suporte estão no mesmo plano, utilize o Suporte de tubos RIDGID PC-116TS para apoiar o tubo.

Se estiver a trabalhar numa bancada ou outra área de trabalho elevada, pode utilizar uma variedade de Suportes de tubo RIDGID para apoiar o tubo. Se utilizar o PC116/PTC-400 no solo, utilize o Suporte de tubo RIDGID PC-116TS para apoiar o tubo. *Ver Figura 3.*



Figura 3 – Posicionamento do suporte

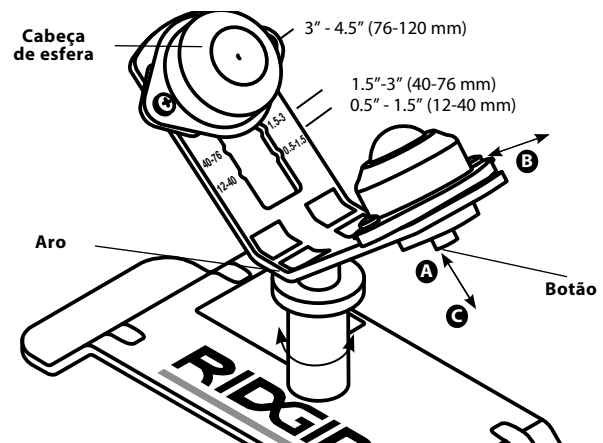


Figura 4 – Ajuste do suporte PC116TS

Ajuste/suporte PC116TS

O Suporte PC116TS é um acessório opcional, concebido para utilização com o Cortador PC116/PTC-400 e não destinado a outras utilizações.

Para ajustar as cabeças de esfera à dimensão do tubo:

- a. pressione o botão **A**
- b. mova a cabeça de esfera até à posição da dimensão do tubo adequada (*ver Figura 4*) **B**
- c. liberte o botão – confirme a localização segura **C**

Para ajustar a altura do suporte, rode o aro para subir ou baixar a cabeça do suporte. O suporte está desenhado para ser colocado na mesma superfície plana do Cortador PC116/PTC-400. Ver *Figura 3*. Se necessário, poderá utilizar espaçadores adequados (como um pedaço de madeira) para subir o suporte.

6. Restrinja o acesso ou configure proteções ou barreiras para criar um mínimo de 3 pés (1 m) de folga à volta da máquina e do tubo. Isto ajuda a evitar que os não-operadores entrem em contacto com a máquina ou o tubo e reduz o risco de inclinação ou emaranhamento.
7. Posicione o interruptor de pedal conforme mostrado na *Figura 8* para permitir uma posição de funcionamento adequada.
8. Com o interruptor na posição O-OFF (DESLIGADO), encaminhe o cabo num caminho claro. Com as mãos secas, ligue o cabo de alimentação numa tomada corretamente ligada à terra. Mantenha todas as ligações elétricas secas e afastadas do chão. Se o cabo de alimentação não tiver o comprimento suficiente, utilize um cabo de extensão que:
 - Esteja em bom estado.
 - Tem uma tomada com três pinos, como no cortador de tubos elétrico.
 - Tem classificação para utilização no exterior.
 - Tem dimensão suficiente de fio. Para cabos de extensão de até 50' (15,2 m) de comprimento, utilize 14 AWG (2,5 mm²) ou mais pesado. Para cabos de extensão de 50'-100' (15,2 m - 30,5 m) de comprimento utilize 12 AWG (2,5 mm²) ou mais pesado.
9. Verifique o cortador de tubos elétrico para a operação adequada. Com as mãos livres:
 - Mova o interruptor de velocidade para a posição de velocidade I-BAIXO. Pressione e liberte o interruptor de pedal. Os roletes deverão rodar conforme indicado pelas setas na *Figura 5*. Se a máquina não rodar na direção correta, ou o interruptor de pedal não controlar o funcionamento da máquina, não utilize a máquina até ser reparada.
 - Pressione e mantenha pressionado do interruptor de pedal. Inspeccione as partes móveis procurando peças desalinhadas, presas, ruídos estranhos ou qualquer outra condição anormal. Retire o pé do interruptor de pedal. Se se encontrarem condições incomuns, não utilize a máquina até estar reparada.



Figura 5 – Direção de rotação do rolete

10. Desloque o interruptor de velocidade para a posição O-OFF (DESLIGADO) e, com as mãos secas, desligue o cabo da máquina.

Instruções de funcionamento

⚠ AVISO



Não use luvas nem roupas largas quando estiver a utilizar o Cortador de tubos elétrico. Mantenha as mangas e casacos abotoados. Não se estenda sobre a máquina. A roupa pode ficar presa na máquina, resultando em emaranhamento.

Mantenha as mãos afastadas das peças rotativas, como roletes, o escareador, a roda de corte e o tubo. Deixe que as peças parem totalmente antes de manusear a ferramenta ou o tubo. Esta prática reduzirá a hipótese de ficar preso nas peças rotativas.

Apoie corretamente os tubos. Isto reduzirá o risco de ferimentos por embate ou esmagamento causados por queda do tubo ou do equipamento.

A mesma pessoa tem de controlar o processo de trabalho e o interruptor de pedal. Apenas o operador deve estar na área de trabalho quando a máquina estiver em funcionamento. Isto ajuda a reduzir o risco de ferimentos.

Siga as instruções de funcionamento para reduzir o risco de ferimentos graves decorrentes de choque elétrico, emaranhamento, ferimentos por esmagamento e outras causas e evitar danos na máquina.

Assegure-se de que a máquina e a área de trabalho foram preparadas adequadamente e de que a área de trabalho está livre de pessoas e outras distrações. O operador deve ser a única pessoa na área enquanto a máquina está em funcionamento.

Ajustar o cortador para diferentes dimensões de tubo

Ajuste de dimensão do interruptor rápido

O ajuste de dimensão do interruptor rápido é fornecido para ajustar rapidamente entre dimensões de tubo de 2" (50 mm) e menores e 2" a 4" (50 mm a 100 mm).

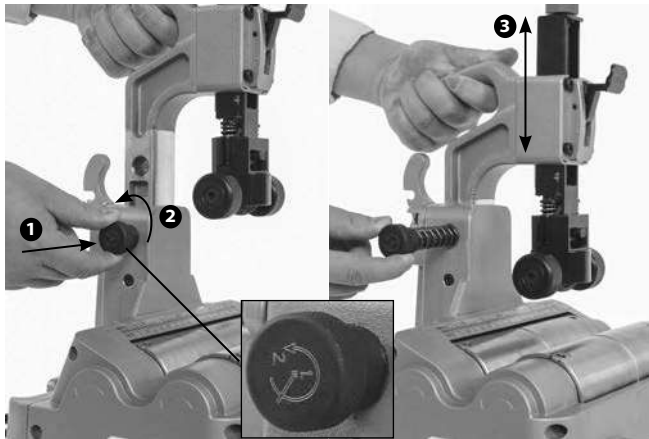


Figura 6 – Ajuste de dimensão do interruptor rápido

1. Sem nenhum tubo no cortador, segure o manípulo e liberte o pino pressionando ligeiramente o botão ❶ e rodando ligeiramente no sentido anti-horário ❷. O botão tem ação de mola e irá recolher; controle o seu movimento. Ver Figura 6.
2. Utilizando o manípulo, mova a cabeça para a posição pretendida ❸.
3. Introduza o botão de interruptor rápido para manter a cabeça na posição.

Ajuste do cortador de alimentação rápida

Este ajuste do cortador de alimentação rápida utiliza-se para avançar e recolher a roda de corte durante a operação de corte.

1. Para avançar a roda de corte, pressione o punho para baixo (Figura 7A) até engatar o tubo.
2. Para recolher a roda de corte, desaperte o punho/parafuso de alimentação 1-2 voltas (Figura 7B) e pressione a libertação (Figura 7C) para permitir que recolha (tem ação de mola - controle o movimento do punho).

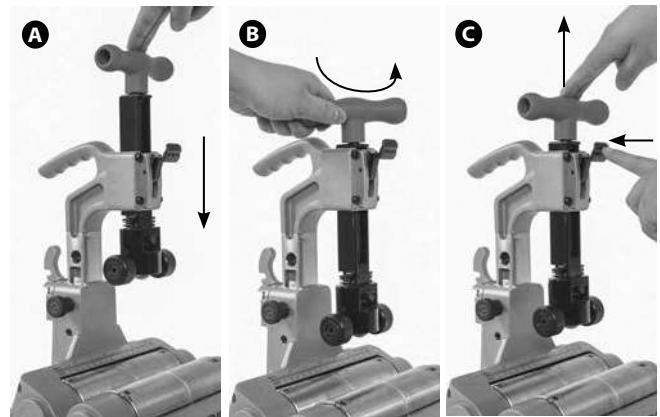


Figura 7 – Alimentação rápida: A-Avançar, B-Desapertar, C-Recolher

Selecionar/alterar a velocidade de funcionamento

O Cortador de tubos elétrico tem duas velocidades de funcionamento – BAIXA e ALTA, ver Figura 8.

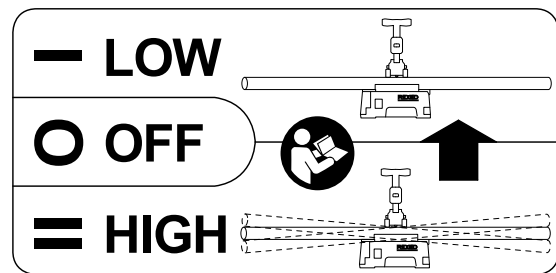


Figura 8 – Etiqueta de velocidade

Velocidade BAIXA (definição do interruptor I-Baixa). Isto diminui o risco de vibração e oscilação do tubo durante a utilização.

Recomendado para tubos com 2" (50 mm) de diâmetro e inferior, e com comprimento superior a 6.5' (2 m)

Velocidade ELEVADA (definição de interruptor II-Elevada). Isto reduzirá o tempo de corte.

Para tubos com mais de 2" (50 mm) de diâmetro, com qualquer comprimento

Para qualquer tubo com comprimento inferior a 6.5' (2 m)

A vibração e oscilação do tubo dependem de vários fatores, como o comprimento, dimensão, peso retidão do tubo, o alinhamento do suporte, a velocidade dos roletes, etc. Se em qualquer momento sentir que o tubo está a vibrar ou oscilar excessivamente, liberte o interruptor de pedal. Se estiver na velocidade II-Elevada, altere para a velocidade I-Baixa e tente novamente. Se estiver na velocidade I-Baixa, altere para outro método de corte para essa peça, como um cortador manual.

Para alterar velocidades, liberte o interruptor de pedal e permita que o cortador pare completamente. Mova o interruptor para a posição pretendida. Não altere a velocidade de funcionamento enquanto a máquina está a trabalhar.

Corte do tubo

1. Verifique que o tubo não está visivelmente dobrado e que não estão instalados quaisquer acessórios. Cortar tubos dobrados ou tubos com acessórios pode resultar em vibração excessiva e perda de controlo. Utilize um cortador manual, se necessário. Marque o tubo no comprimento desejado. Para maior conveniência, é fornecida uma escala de medida na máquina.
2. Se necessário, ajuste o alcance de dimensão do cortador de tubos elétrico com o ajuste de dimensão do interruptor rápido.
3. Coloque o tubo nos roletes, de forma que a marca de corte esteja localizada por baixo da roda de corte, na marca zero da escala. Se o tubo ultrapassar a máquina, posicione suportes por baixo deste. Os suportes deverão estar ajustados de forma que o tubo assente em esquadria com os roletes. Isto ajudará a garantir uma monitorização adequada do corte. Ver Figura 3.
4. Assuma uma posição de operação correta para ajudar a manter o controlo da máquina e do tubo (ver Figura 10):
 - Certifique-se de que tem acesso conveniente às ferramentas e ao interruptor.
 - Certifique-se de que pode controlar o interruptor de pedal. Não pressione ainda o interruptor de pedal. Em caso de emergência, tem de conseguir libertar o interruptor de pedal.
 - Certifique-se de que tem um bom equilíbrio e de que não precisa de se debruçar.
5. Avance o sistema de alimentação rápida até que os roletes de suporte estejam em contacto com o tubo (Figura 9). Alinhe a roda de corte com a marca no tubo. Aperte o parafuso de alimentação para colocar a roda de corte em contacto com o tubo. Após a roda de corte estar em contacto com o tubo, avance o parafuso de alimentação 1 a 1½ voltas adicionais para segurar o tubo. Não avance em demasia o parafuso de alimentação, pois isso poderá causar um formato oval do tubo e aumentar a formação de rebarbas.

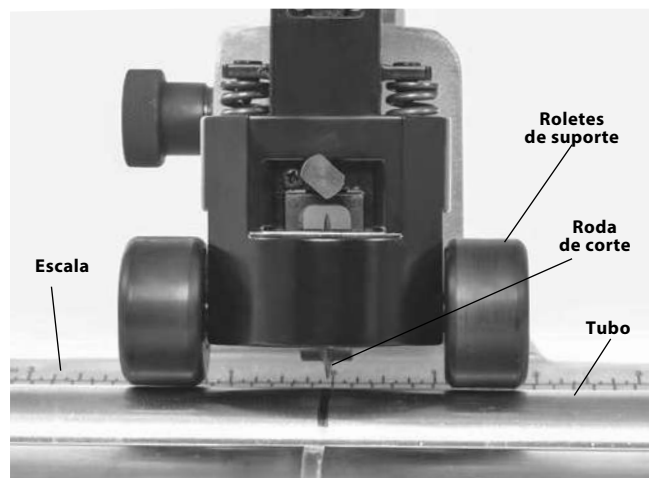


Figura 9 – Roletes de suporte em contacto com os tubos

6. Mova o interruptor I-Baixo/O-DESLIGADO/II-Alto para a posição adequada para o tubo a cortar
7. Pressione o interruptor de pedal. Os roletes e o tubo começarão a rodar. Mantenha as mãos afastadas das peças em rotação.



Figura 10 – Corte do tubo

8. Avance o parafuso de alimentação apertando de forma lenta e contínua o parafuso de alimentação até o tubo estar cortado. Um corte agressivo pode danificar a roda de corte e causar rebarbas em excesso. Mantenha os roletes de suporte em contacto com o tubo para ajudar a apoiar o tubo no lugar.

Se o tubo se movimentar em espiral durante o corte, interrompa o trabalho e verifique a configuração da máquina, especialmente o alinhamento dos suportes do

tubo. Diferentes materiais de tubo poderão necessitar de um aperto ligeiro adicional do parafuso de alimentação para melhorar a monitorização.

9. Retire o pé do interruptor de pedal. Depois, mova o interruptor I-Baixo/O-DESLIGADO/II-Alto para a posição O-DESLIGADO.
10. Quando o tubo parar de rodar, desaperte o parafuso de alimentação 1-2 voltas e pressione a libertação para recolher totalmente a roda de corte. Remova o tubo.

Escareação do tubo



Figura 11 – Instalar o escareador

1. Coloque o interruptor I-Baixo/O-DESLIGADO/II-Alto na posição O-DESLIGADO.
2. Retire o escareador da posição de armazenamento e monte na posição de utilização, conforme mostrado na *Figura 11*. Confirme que o escareador está montado em segurança.
3. Mova o interruptor I-Baixo/O-DESLIGADO/II-Alto para a posição I-Baixo.
4. Pressione o interruptor de pedal. Mantenha as mãos afastadas das extremidades do tubo e das peças rotativas.
5. Segure o tubo com firmeza. Suporte corretamente o tubo para ajudar a manter o controlo.
6. Coloque o tubo por cima do cone do escareador e aplique suavemente pressão (*Figura 12*) para remover as rebarbas do interior da extremidade do tubo. Não force o tubo para dentro do escareador; isto pode fazer com que o escareador agarre o tubo e o rode nas suas mãos.



Figure 12 – Escareação do tubo

7. Retire o pé do interruptor de pedal.
8. Coloque o interruptor I-Baixo/O-DESLIGADO/II-Alto na posição O-DESLIGADO.
9. Retire o escareador da posição de utilização e volte a colocar na posição de armazenamento.

Transporte

1. Retire ou fixe todo o equipamento e material solto da máquina e antecipe-se ao movimento para evitar quedas ou inclinação.
2. Coloque a roda de corte na posição virada para baixo.
3. Enrole o cabo de alimentação e o cabo do interruptor de pedal em volta do gancho de cabos, fixando conforme mostrado na *Figura 13*.
4. Levante com o manípulo. Tenha cuidado ao elevar e mover. Tenha cuidado com o peso da máquina.



Figura 13 – Cabo enrolado

Armazenamento

⚠ AVISO O Cortador de tubos elétrico deve ser guardado seco, no interior, ou bem coberto, caso seja armazenado no exterior. Guarde a máquina numa área isolada que esteja fora do alcance de crianças e de pessoas não familiarizadas com o Cortador de tubos elétrico. Esta máquina pode causar graves lesões nas mãos de pessoas sem formação específica.

Instruções de manutenção

⚠ AVISO

Certifique-se de que o interruptor está na posição O-OFF (DESLIGADO) e a máquina está desligada da corrente antes de executar qualquer manutenção ou fazer quaisquer ajustes.

Mantenha o cortador de acordo com estes procedimentos para reduzir o risco de ferimentos por choque elétrico, emaranhamento e outras causas.

Limpeza

Limpe suavemente a máquina após cada utilização com um pano limpo e seco. Mantenha os roletes limpos e livres de sujidade e resíduos.

Mantenha o escareador limpo e livre de lascas, para maior eficiência.

Limpe qualquer pó e resíduos das ventilações do motor.

Lubrificação

Mensalmente (ou com maior frequência, se necessário), lubrifique todas as peças móveis expostas do Cortador de tubos elétrico e do suporte PC116TS (como o parafuso de alimentação, o sistema de alimentação rápida, os roletes e os pontos de articulação) com um óleo de lubrificação ligeiro. Limpe qualquer excesso de óleo das superfícies expostas.

Substituir a roda de corte

Ver *Especificações* para a seleção correta da roda de corte. Troque a roda de corte ao cortar materiais diferentes; substitua a roda de corte quando a extremidade de corte ganhar fendas ou ficar plana. Pode armazenar na unidade uma roda de corte adicional. Ver *Figura 13*.

1. Retire o pino de ligação. O suporte de roda soltar-se-á (*Figura 14*).



Figura 14 – Retirar o suporte de roda

2. Retire o pino de roda e a roda de corte/o rolamento (*Figura 15*).
3. Inspeccione o rolamento. O rolamento deverá mover-se livremente. Substitua, se necessário.
4. Inverta o processo para instalar a roda de corte.



Figura 15 – Substituir a roda de corte

Proteção contra sobrecorrente do motor

O cortador está equipado com proteção contra sobrecorrente, que desliga a máquina para proteger o motor caso utilize corrente excessiva.

Se a máquina se desligar inesperadamente, liberte o interruptor de pedal. Coloque o interruptor na posição O-DESLIGADO e desligue o cabo da máquina. Retire qualquer tubo da máquina. Siga as seções Inspeção antes da colocação em funcionamento e Preparação da máquina e da área de trabalho para confirmar que a máquina funciona corretamente.

Substituir escovas do motor

Verifique as escovas do motor a cada seis meses; estas deverão ser substituídas caso o comprimento seja inferior a 5 mm (0.2").

1. Confirme que o interruptor está na posição O-DESLIGADO e que o cabo da máquina está desligado.
2. Desaperte os cinco parafusos que seguram a tampa inferior (*Figura 16*) e remova a tampa (alguns parafusos estão fixos à tampa).
3. Utilize uma chave de fendas para desapertar e remover as tampas das escovas (*Figura 17*). Retire cuidadosamente as escovas de carbono e verifique o comprimento (*Figura 18*). Se o comprimento da escova for inferior a 5 mm (0.2"), substitua-a.
4. Introduza a escova no suporte da mesma, alinhando corretamente os entalhes da escova com os relevos do suporte de escovas.
5. Aperte com firmeza as tampas da escova. Volte a instalar a tampa inferior.
6. Assim que a máquina esteja novamente montada, coloque-a em funcionamento na velocidade II-Elevada durante cinco minutos, sem qualquer tubo na máquina, para fazer a rotação das escovas.

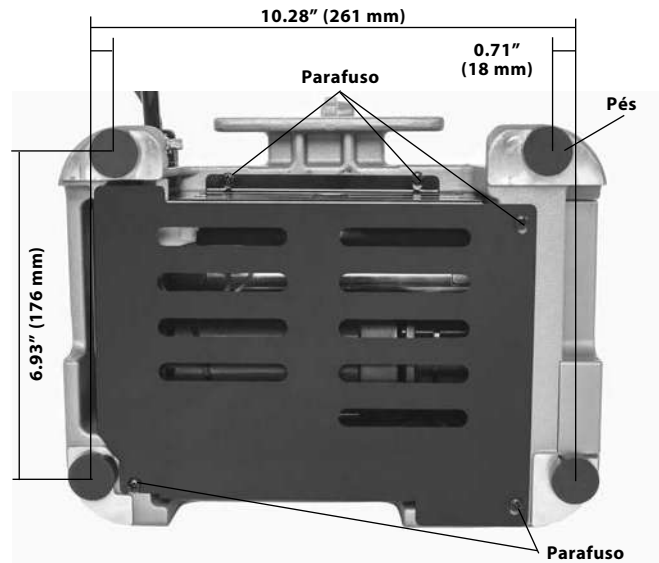


Figura 16 – Parafusos da tampa inferior

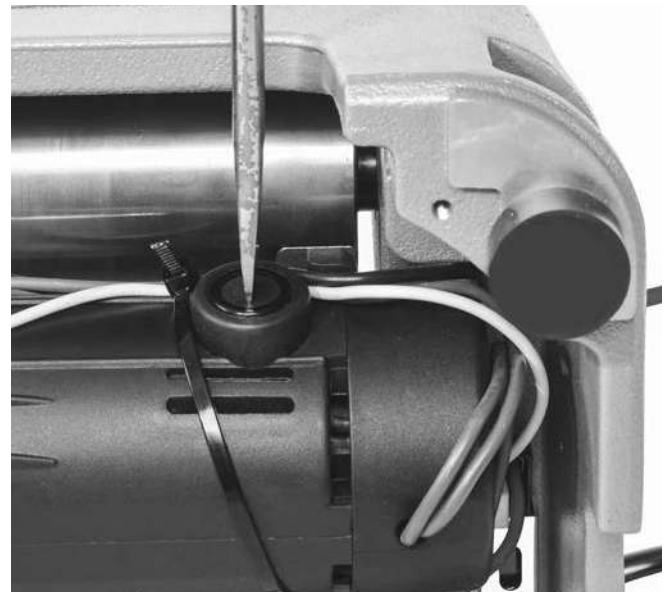


Figura 17 – Remover a tampa da escova



Figura 18 – Inspeccionar o comprimento da escova

Digitalize o código QR abaixo para aceder à documentação e vídeo do PC116/PTC-400.



Resolução de problemas

PROBLEMA	CAUSAS POSSÍVEIS	SOLUÇÃO
Vibração excessiva durante o funcionamento.	Velocidade de funcionamento incorreta.	Ver <i>Selecionar a velocidade de funcionamento.</i>
	Cortar tubo dobrado.	Não cortar um tubo visivelmente dobrado. Utilize um cortador manual.
	Tubo comprido não suportado corretamente.	Suporte um tubo comprido com suportes de tubo.
	Máquina não montada corretamente.	Monte corretamente a máquina numa superfície plana, aparafuse com os parafusos de montagem.
A máquina não está a cortar os tubos corretamente.	Roda de corte gasta.	Substituir a roda de corte gasta.
	Utilização em dimensão ou material de tubo incorretos.	Utilização no tipo de tubo correto (ver <i>Especificações</i>).
A máquina para durante o corte.	Alimentação agressiva da roda de corte durante o corte.	Alimente suavemente a roda de corte.
A máquina não funciona.	As escovas do motor estão gastas.	Instale escovas do motor novas.
	Proteção contra sobrecorrente ativada.	<i>Siga as instruções para sobrecorrente do motor na secção Manutenção.</i>
Rebarbas excessivas no tubo ou deformação da extremidade.	Roda de corte gasta ou danificada.	Substituir a roda de corte.
	Alimentação agressiva da roda de corte durante o corte.	Alimente suavemente a roda de corte.
A máquina para enquanto o interruptor de pedal está pressionado. Reinicia quando o interruptor de pedal é pressionado novamente.	Orifício no interruptor de pedal/mangueira.	Substituir o interruptor de pedal.
	Fuga no interruptor de ar.	Se não encontrar qualquer problema com o interruptor de pedal/mangueira, substitua o interruptor de ar.

Serviço e reparação

⚠ AVISO

Serviço ou reparação impróprios podem tornar a máquina insegura de operar.

As *Instruções de manutenção* serão suficientes para resolver a maioria das necessidades de manutenção desta máquina. Quaisquer problemas não mencionados nesta secção devem ser resolvidos apenas num Centro de Assistência Independente RIDGID. Utilize apenas peças de assistência RIDGID.

Para informações sobre o Centro de Assistência Independente da RIDGID mais próximo, ou para questões sobre assistência e reparação, veja a *secção Informação de contacto* neste manual.

Equipamento opcional

⚠ AVISO

Para reduzir o risco de ferimentos graves, utilize apenas acessórios especificamente concebidos e recomendados para utilização com o Cortador de tubos elétrico PC116/PTC-400 da RIDGID, como os listados.

N.º catálogo	Descrição
64903	Suporte de tubo PC116TS para utilização com o PC116/PTC-400
66253	Escova de carbono para motor PC116 220-240 V
66248	Escova de carbono para motor PC116 100-120 V
56662	VJ-99 28" - 52" Suporte alto de tubos com cabeça em V
64908	Escareador 137S para PC116/PTC-400
66938	Roda de corte E850 (para tubo metálico)
66943	Roda de corte E855 (para tubo de plástico)
64898	Rolamento de roda de corte

Para uma lista completa de equipamento RIDGID disponível para estas ferramentas, veja o Catálogo de Ferramentas Ridge on-line em RIDGID.com ou veja *Informações de contacto*.

Eliminação

Determinadas peças destas ferramentas contêm materiais valiosos e podem ser recicladas. Existem empresas especializadas em reciclagem que podem ser encontradas localmente. Elimine os componentes em conformidade com todos os regulamentos aplicáveis. Contacte as autoridades locais de gestão dos resíduos para mais informações.



Nos países da CE: Não elimine o equipamento elétrico juntamente com resíduos domésticos!

De acordo com a Diretiva Europeia 2012/19/UE relativa aos resíduos de equipamentos elétricos e eletrónicos e a sua transposição para a legislação nacional, o equipamento elétrico em final de vida útil deve ser recolhido em separado e eliminado de forma ambientalmente correta.

PC116/PTC-400 motordriven rörkap



⚠️ VARNING!

Läs den här bruksanvisningen noggrant innan du använder utrustningen. Om du använder utrustningen utan att ha förstått eller följt innehållet i bruksanvisningen finns risk för elchock, brand och/eller personsador.

PC116/PTC-400 motordriven rörkap

Anteckna serienumret nedan och spara produktens serienummer som sitter på märkplåten.

Serienr

Innehåll

Registreringsformulär för maskin med serienummer	115
Säkerhetssymboler	117
Allmänna säkerhetsvarningar för motordrivna verktyg	117
Säkerhet på arbetsområdet.....	117
Elsäkerhet	117
Personsäkerhet.....	118
Användning och skötsel av motordrivna verktyg	118
Service	118
Särskild säkerhetsinformation	118
RIDGID-kontaktinformation	119
Beskrivning	119
Specifikationer	120
Standardutrustning.....	120
Montering	120
Bänkmontering	120
Inspektion före användning	121
Ställa in maskinen och arbetsområdet	121
PC116TS Stativ/Justering.....	122
Anvisningar för användning	123
Justera kapen för olika rörstorlekar	123
Välja/ändra drifhastighet	123
Kapa rör	124
Fräsa rör	125
Transport	125
Förvaring	125
Anvisningar för underhåll	126
Rengöring.....	126
Smörjning	126
Byta kaptrissa.....	126
Motorns överströmskydd	126
Byta motorborstar	126
Felsökning	128
Service och reparationer.....	128
Extrautrustning	128
Bortskaffande	129
EG-försäkran om överensstämmelse	På insidan av omslagets baksida
Livstidsgaranti	Omslagets baksida

* Översättning av originalbruksanvisning

Säkerhetssymboler

I den här bruksanvisningen och på produkten används säkerhetssymboler och signalord för att kommunicera viktig säkerhetsinformation. Det här avsnittet syftar till att förbättra förståelsen av dessa signalord och symboler.



Detta är en säkerhetssymbol. Den används för att göra dig uppmärksam på risker för personskador. Rätta dig efter alla säkerhetsföreskrifter som följer efter denna symbol, för att undvika personskador eller dödsfall.



FARA FARA betecknar en farlig situation som kommer att orsaka dödsfall eller allvarliga personskador, om situationen inte undviks.



WARNING WARNING betecknar en farlig situation som kan orsaka dödsfall eller allvarliga personskador, om situationen inte undviks.



SE UPP SE UPP betecknar en farlig situation som kan orsaka lindriga eller medelsvåra personskador, om situationen inte undviks.



OBS OBS betecknar information som avser skydd av egendom.



Den här symbolen betyder att bruksanvisningen ska läsas noggrant innan utrustningen används. Bruksanvisningen innehåller viktig information om säker och korrekt användning av utrustningen.



Den här symbolen visar att skyddsglasögon med sidoskydd eller goggles alltid ska bäras när utrustningen används, för att minska risken för ögonskador.



Den här symbolen betecknar risk för elchock.



Den här symbolen visar att det finns risk att händer, fingrar eller andra kroppsdelar fastnar, dras in eller kläms i rullar eller andra rörliga delar.



Den här symbolen visar att det finns risk för skärskador från roterande eller rörliga delar på händer, fingrar eller andra kroppsdelar.



Den här symbolen visar att det finns risk för att maskinen tippar, vilket kan orsaka slag- eller krosskador.



Den här symbolen betyder att du inte ska bära handskar vid användning av den här maskinen, för att minska risken för att fastna.

Allmänna säkerhetsvarningar för motordrivna verktyg*



Läs alla säkerhetsvarningar, anvisningar, illustrationer och specifikationer som medföljer det här motordrivna verktyget. Om du använder utrustningen utan att förstå eller följa anvisningarna nedan finns risk för elchock, brand och/eller allvarliga personskador.

SPARA ALLA VARNINGAR OCH ANVISNINGAR SOM REFERENS I FRAMTIDEN!

Termen "motordrivnet verktyg" i varningstexterna avser ett nätdrivet motordrivnet verktyg (med sladd) eller ett batteridrivnet motordrivnet verktyg (sladdlöst).

Säkerhet på arbetsområdet

- **Håll arbetsområdet städat och väl upplyst.** Stökiga eller mörka områden gör att olyckor inträffar lättare.
- **Använd inte motordrivna verktyg i omgivningar med explosiv atmosfär, till exempel i närheten av brandfarliga vätskor, gaser eller damm.** Motordrivna verktyg kan avge gnistor som kan antända dammet eller ångorna.

- **Håll barn och kringstående på behörigt avstånd medan du använder ett motordrivnet verktyg.** Distractioner kan få dig att tappa kontrollen.

Elsäkerhet

- **Motordrivna verktygs elkontakter måste passa i motsvarande uttag. Du får aldrig modifiera kontakten på något sätt. Använd inga adapterkontakter tillsammans med jordade motordrivna verktyg.** Icke modifierade stickproppar och matchande uttag minskar risken för elstöt.
- **Undvik kroppskontakt med jordade ytor som t.ex. rör, värmeelement, spisar och kylskåp.** Risken för elchock ökar om din kropp är jordad.
- **Utsätt inte motordrivna verktyg för regn eller väta.** Om vatten kommer in i ett motordrivnet verktyg ökar risken för elchock.
- **Misshandla inte kabeln. Använd aldrig kabeln till att bära eller dra det motordrivna verktyget. Håll kabeln på avstånd från värme, olja, vassa kanter och rörliga delar.** Skadade eller ihoptrasslade kablar ökar risken för elstötar.
- **När ett motordrivnet verktyg används utomhus ska du använda en förlängningskabel som är avsedd för utomhusanvändning.** Användning av en kabel som är lämplig för utomhusanvändning minskar risken för elchock.

* Texten i avsnittet Allmänna säkerhetsvarningar för motordrivna verktyg i den här bruksanvisningen är ordagrann, enligt krav, från tillämplig standard UL/CSA/EN 62841-1. Det här avsnittet innehåller allmänna säkerhetsrutiner för många olika typer av motordrivna verktyg. Alla föreskrifter gäller inte för alla verktyg, och vissa gäller inte för det här verktyget.

- Använd en krets med jordfelsbrytare om ett motordrivet verktyg måste användas på en fuktig plats. En jordfelsbrytare minskar risken för elchock.

Personssäkerhet

- Var uppmärksam, ha uppsikt över det du gör, och använd sunt förnuft när du använder ett motordrivet verktyg. Använd inte ett motordrivet verktyg om du är trött eller påverkad av mediciner, alkohol eller annat. Ett enda ouppmärksamt ögonblick vid användning av motordrivna verktyg kan leda till allvarliga personskador.
- Använd personlig skyddsutrustning. Bär alltid ögonskydd. Skyddsutrustning som ansiktsmasker, halkfria skyddsskor, hjälm eller hörselskydd minskar risken för personskador.
- Förhindra oavsiktliga starter. Se till att strömställaren är i läge AV innan du ansluter till strömkällan och/eller batteripaketet, plockar upp eller bär verktyget. Att bära motordrivna verktyg med fingret på strömställaren eller att strömsätta motordrivna verktyg som har strömställaren PÅ ökar risken för olyckor.
- Ta bort alla justeringsverktyg och skruvnycklar innan du sätter ett motordrivet verktyg i läge PÅ. Ett verktyg eller en nyckel som går emot en roterande del av det motordrivna verktyget kan orsaka personskador.
- Sträck dig inte för långt. Stå alltid stadigt och balanserat. Då har du bättre kontroll över maskinen vid oväntade situationer.
- Använd lämpliga kläder. Bär inte löst sittande kläder eller smycken. Håll hår och kläder på behörigt avstånd från rörliga delar. Löst sittande kläder, smycken och långt hår kan fastna i rörliga delar.
- Om det finns utrustning för dammsug och dammuppsamling måste sådan utrustning vara ordentligt ansluten och användas på rätt sätt. Användning av dammsug kan minska dammrelaterade risker.
- Var alltid uppmärksam, överskatta inte din egen erfarenhet och följ alltid alla säkerhetsprinciper. En slarvig åtgärd kan orsaka personskada på bråkdelen av en sekund.

Användning och skötsel av motordrivna verktyg

- Använd inte överdriven kraft. Använd rätt motordrivet verktyg för din tillämpning. Rätt motordrivet verktyg utför uppgiften bättre och säkrare vid den hastighet som det är konstruerat för.
- Använd inte det motordrivna verktyget om PÅ/AV-brytaren inte fungerar. Motordrivna verktyg där omkopplaren inte fungerar är farliga, och måste repareras.

- Koppla ur kontakten från strömkällan och/eller batteriet, om detta är möjligt, ur det motordrivna verktyget innan du utför några justeringar, byter några tillbehör, eller förvarar några motordrivna verktyg. Sådana förebyggande säkerhetsåtgärder minskar risken för att det motordrivna verktyget ska startas oavsiktligt.
- Förvara motordrivna verktyg som inte används utom räckhåll från barn. Personer som inte är vana vid motordrivna verktyg och som inte har läst den här bruksanvisningen får inte använda verktyget. Motordrivna verktyg är farliga i händerna på utbildade användare.
- Utför underhåll på motordrivna verktyg. Kontrollera om det finns några felinställda eller kärvande rörliga delar, om några delar har gått sönder eller något annat tillstånd som kan påverka verktygets drift. Om ett motordrivet verktyg är skadat måste det repareras före användning. Många olyckor orsakas av dåligt underhållna motordrivna verktyg.
- Håll alla kapverktyg vassa och rena. Rätt underhållna skärande verktyg med vassa skärande eggar kärvar inte lika lätt och är lättare att kontrollera.
- Använd det motordrivna verktyget, tillbehören och bitarna osv. i enlighet med dessa anvisningar, med hänsyn tagen till arbetsförhållandena och det arbete som ska utföras. Användning av motordrivna verktyg i andra syften än de avsedda kan resultera i en farlig situation.
- Håll handtagen och greppytorna torra, rena och fettfria. Hala handtag och gripytor gör hanteringen osäker och du kanske inte kan kontrollera verktyget vid oväntade situationer.

Service

- Service på det motordrivna verktyget ska utföras av en behörig reparatör och eventuella reservdelar måste vara identiska originaldelar. Detta ser till att det motordrivna verktygets säkerhet hålls intakt.

Särskild säkerhetsinformation

⚠ VARNING

Det här avsnittet innehåller viktig säkerhetsinformation som gäller specifikt för det här verktyget.

Läs dessa försiktighetsåtgärder noggrant innan du använder den motordrivna rörkapen PC116/PTC-400 så att du minskar risken för elstöt eller andra allvarliga skador.

**SPARA ALLA VARNINGAR OCH ANVISNINGAR
SOM REFERENS I FRAMTIDEN!**

Förvara den här bruksanvisningen med maskinen, så att operatören alltid har tillgång till den.

- **Bär inte handskar eller löst sittande kläder när du använder den motordrivna rörkapen. Knäpp knappar i ärmar och jackor.** Sträck dig inte över maskinen. Kläder kan fastna i maskinen och trassla in sig.
- **Håll händerna borta från roterande delar som rullar, rörfräs, kaptrissa och rör. Låt delarna stanna helt innan du hanterar verktyget eller röret.** Detta minskar risken för att fastna i roterande delar.
- **Säkra maskinen på en stabil bänk eller stativ. Stöd rören ordentligt.** Detta minskar risken för slag- och krosskador på grund av rör och utrustning som faller.
- **Kapa inte synligt böjda rör eller rör med anslutna kopplingar.** Minskar risken för kraftiga vibrationer och tappad kontroll över maskinen och/eller rören.
- **Använd alltid lämpligt ögonskydd och lämplig personlig skyddsutrustning.** Kapverktyg kan gå sönder eller splittras. Detta minskar risken för skador.
- **En person måste kontrollera arbetsprocessen och fotomkopplaren.** Operatören är den enda person som får befinna sig inom arbetsområdet medan maskinen är i drift. Detta hjälper till att reducera risken för personskador.
- **Du måste ha läst och förstått dessa anvisningar, elverktygets anvisningar samt varningar och anvisningar för all utrustning och allt material som används innan du använder det här verktyget, så att du minskar risken för allvarliga personskador.**

RIDGID-kontaktinformation

Om du har någon fråga om den här RIDGID®-produkten:

- Kontakta närmaste RIDGID®-distributör.
- Besök RIDGID.com för uppgift om närmaste RIDGID-representant.
- Kontakta Ridge Tool Technical Service Department på rtctechservices@emerson.com. Om du befinner dig i USA eller Kanada ringer du (800) 519-3456.

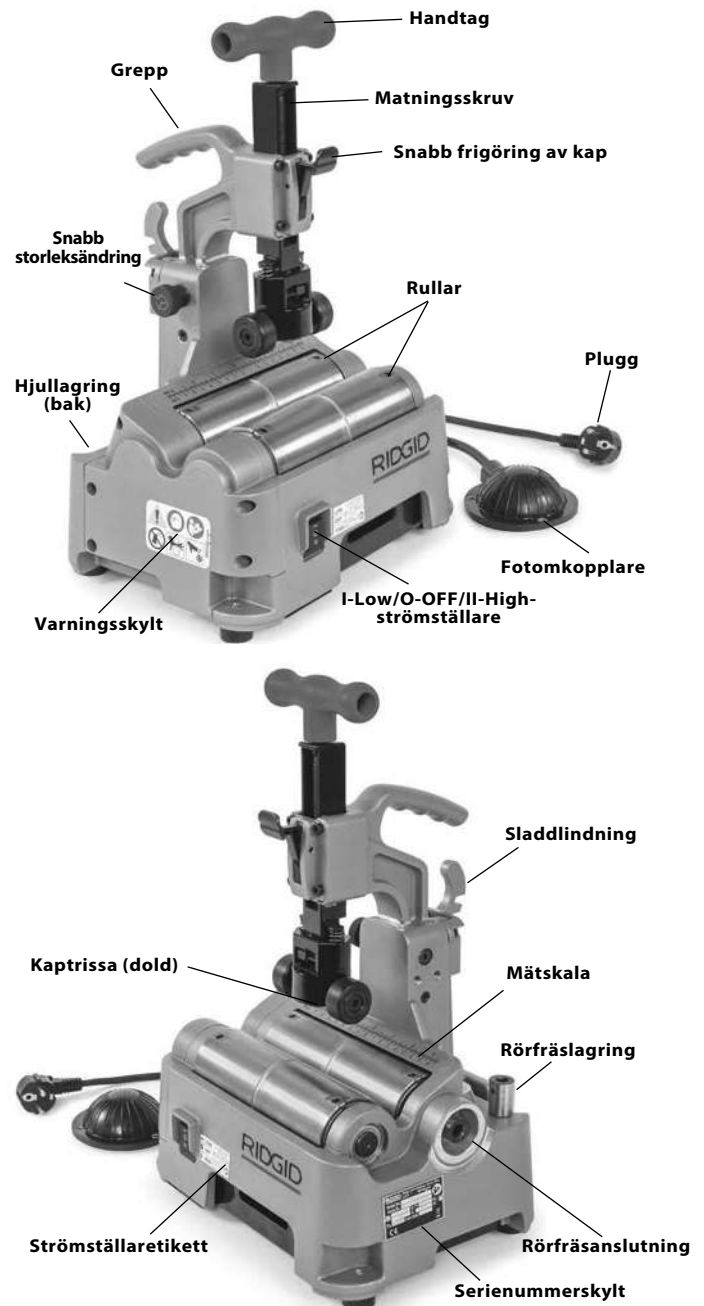
Beskrivning

RIDGID® PC116/PTC-400 motordriven rörkap är utformad för att kapa ½ tum till 4 tum nominell storlek (12 till 100 mm) metall- och plaströr/ledning.

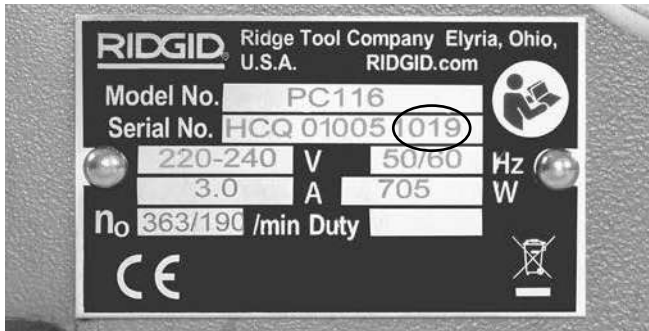
En omkopplare med två hastigheter styr rullhastigheten och en pneumatisk fotomkopplare styr motorn PÅ/AV. En skala ingår för mätning av rör. Den motordrivna rörkapen är lätt och kompakt för enkel transport.

En rörfräs (tillval) är tillgänglig för att avlägsna grader från insidan av rör upp till 2 tum (50 mm).

Rörkapen är inte utformad för att användas med rörledning.



Figur 1 – RIDGID® PC116/PTC-400 motordriven rörkap



Figur 2 – Maskinens serienummer

Maskinens serienummer sitter på sidan av kapen. De sista 4 siffrorna visar tillverkningsmånad och -år. (10 = månad, 19 = år).

Specifikationer

Nominell rörstorlek
skärkapacitet ½ till 4 tum (12 till 100 mm)
Faktisk skärkapacitet..... ½ till 4,5 tum (12 till 116 mm)

Rör/ledningsmaterial*	Maximal vägg-tjocklek	Kaptrissa	
		E-850 Kat. #66938	E-855 Kat. #66943
Kolstål	0.1 tum (2,5 mm)	X	
Rostfritt stål	0.1 tum (2,5 mm)	X	
Aluminium	0.1 tum (2,5 mm)	X	
Koppar	0.1 tum (2,5 mm)		X
Plast	0.23 tum (6 mm)		X

* Endast som allmän riktlinje. Materialsammansättning, hårdhet och andra faktorer påverkar förmågan att skära, trissans livslängd, bildande av grader osv.

Nominell fräskapacitet ½ till 2 tum (12 till 50 mm) (tillval)

Max. rörlängd 20 fot (6 m)

Motor

Typ..... Universal
Spänning 100–120 V 220–240 V
Ström 5,8 A 3,0 A
Frekvens 50/60 Hz 50/60 Hz
Effekt 705 W 705 W

Se produktens serienummerskylt för specifik information om enheten.

Rullens rotationsvarvtal 190/363 varv/min för 220–240 V,
225/385 varv/min för 100–120 V

Reglage..... I-LOW/O-OFF/II-HIGH-omkopplare
och PÅ/AV-fotomkopplare

Vikt 32 lbs. (14,5 kg)

Mått
L x B x H..... 11,6 x 9,4 x 15,9 tum
(295 x 239 x 403 mm)

Drifttemperatur..... -4 °F till 122 °F (-20 °C till 50 °C)

Ljudtryck (L_{PA})* 82,3 dB(A), K=3

Ljudeffekt (L_{WA})* 93,3 dB(A), K=3

* Ljudmätt mäts i enlighet med ett standardiserat test enligt standard EN 62481-1.
- Ljudutsläpp kan variera beroende på platsen och den specifika användningen av de här verktygen.
- Dagliga exponeringsnivåer för ljud måste utvärderas för varje tillämpning och lämpliga säkerhetsåtgärder vidtas vid behov. Utvärdering av exponeringsnivåer ska vägas in tiden när ett verktyg är avstängt och inte används. Det kan minska exponeringsnivån för hela arbetsperioden avsevärt.

Standardutrustning

Se RIDGID-katalogen för uppgifter om levererad utrustning med specifika maskinkatalognummer.

OBS Val av lämpliga material och installation, fognings- och formningsmetoder är systemkonstruktörens och/eller installatörens ansvar. Om felaktiga material eller felaktiga metoder används kan systemfel inträffa.

Rostfritt stål och andra rostskyddade material kan förorenas under installation, fogning och formning. Den här föroreningen kan orsaka korrosion och haverier i förtid. Utför alltid en noggrann utvärdering av material och metoder för specifika serviceförhållanden, inklusive kemisk sammansättning och temperaturer, ska utföras innan någon installation påbörjas.

För att minska risken för järnförorening av rostfritt stål, se till att rullarna är rena och fria från skräp. Rengör noga med en borste av rostfritt stål. Byt kaptrissan och rörfräsen innan de används med rostfritt stål. Den bästa metoden är att ha en särskild trissa som endast används till rostfritt stål.

Montering

⚠ VARNING

Följ dessa rutiner vid montering så att du minskar risken för allvarliga personskador under användning. Ställ omkopplaren i läge OFF (AV) och koppla ur maskinen före montering.

Bänkmontage

Maskinen kan monteras på en jämn, stabil bänk. För att montera enheten på en bänk, skruva loss gummifötterna i de fyra hörnen på maskinbasen (se figur 16) och använd M8-bultar för att hålla maskinen på bänken. Dra åt stadigt.

Inspektion före användning

⚠ VARNING



Kontrollera den motordrivna rörkapen före varje användningstillfälle och åtgärda eventuella problem för att minska risken för allvarliga personskador på grund av elstöt, indragning i maskinen, krosskador eller andra orsaker, och för att förhindra maskinskadorna.

1. Kontrollera att den motordrivna rörkapen är urkopplad.
2. Rengör maskinen och utrustningen, inklusive handtag och reglage. Detta underlättar inspektionen och förhindrar att verktyget glider ur handen vid användningen. Rengör och underhåll maskinen enligt underhållsanvisningarna.
3. Inspektera den motordrivna rörkapen avseende:
 - Inspektera kablarna och kontaktstyckena avseende skador eller modifieringar.
 - Korrekt montering, underhåll och fullständighet.
 - Eventuella trasiga, slitna, saknade, felinriktade eller kärvande delar eller andra skador.
 - Förekomst och användning av fotomkopplaren. Bekräfta att fotomkopplaren är ansluten, i gott skick, att den fungerar smidigt och inte kärvar.
 - Att matarskruven, kaptrissan och stödrullarna rör sig fritt.
 - Alla varningsetiketter och övriga etiketter ska finnas på plats och vara läsliga (se figur 1).
 - Kontrollera de skärande eggarna på kaptrissan och rörfraesen och titta efter tecken på slitage, deformation, spånor eller andra problem. Slöa, skadade eller lösa kaptrissor kan skada verktyget, ge snitt med dålig kvalitet och öka risken för skador.
 - Om du använder stativen PC116TS, rengör, inspektera och smörj efter behov.
 - Alla tillstånd som kan förhindra säker och normal drift.

Använd inte verktyget förrän eventuella problem har åtgärdats.
4. Utför inspektion och underhåll av all annan utrustning enligt anvisningarna och kontrollera att allt fungerar korrekt.

Ställa in maskinen och arbetsområdet

⚠ VARNING



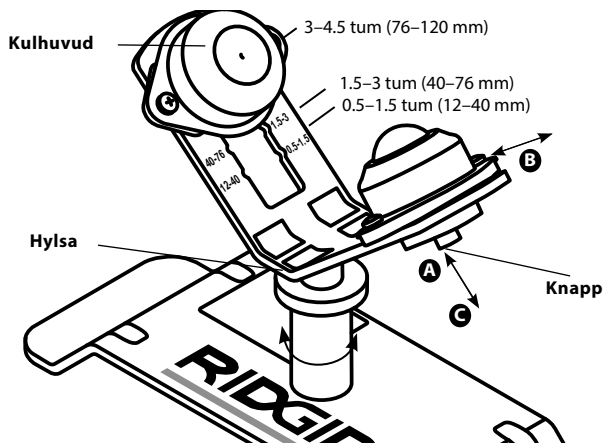
Ställ in den motordrivna rörkapen och arbetsområdet enligt dess rutiner för att minska risken för allvarliga skador från elstöt, indragning i maskinen, krosskador eller andra orsaker och för att förhindra maskinskadorna.

1. Kontrollera att arbetsområdet uppfyller följande:
 - Tillräcklig belysning.
 - Inga brandfarliga vätskor, ångor eller damm som kan antändas. Arbeta inte inom området förrän alla risker har identifierats och åtgärdats. Kaptrissan är inte explosionssäker och kan orsaka gnistor.
 - Tydlig, plan, stabil och torr plats för all utrustning och för operatören.
 - Korrekt anslutet eluttag med rätt spänning. Kontrollera spänningskraven på maskinens märkskylt. Även om ett uttag är jordat eller har jordfelsbrytare så är kanske jordningen inte korrekt utförd. Låt en behörig elektriker kontrollera uttaget om du är osäker.
2. Inspektera arbetet som ska utföras. Bedöm rörets material, typ och storlek. Fastställ rätt utrustning för arbetet. Se avsnittet *Specifikationer*.
3. Bekräfta att all utrustning som ska användas har inspekterats och monterats enligt anvisningarna.
4. Placera maskinen på en flat, plan och stabil yta. Se "Bänkmontage" i monteringsavsnittet. Bekräfta att enheten är stabil och säker.
5. Om röret sträcker sig mer än 6 tum (15 cm) utanför maskinen, använd ett eller flera lämpliga stativ för att stödja röret. Placera stativen i linje med rullarna. Längre rör kan kräva fler än ett stativ. Använd endast stativ som är avsedda för det här syftet. Olämpliga stativ eller att stödja röret för hand kan orsaka skador genom vältnings eller att någon fastnar. Överskrid inte stativens märkkapacitet. När kapen och stativet är i samma plan, använd RIDGID PC116TS rörstativ för att stötta röret.

Om du arbetar på en bänk eller någon annan upphöjd yta kan en variant av RIDGID rörstativ användas för att stötta röret. Om du använder PC116/PTC-400 på marken, använd RIDGID PC116TS rörstativ för att stötta röret. Se figur 3.



Figur 3 – Placering av stativ



Figur 4 – PC116TS Justering av stativ

PC116TS Stativ/Justering

Stativet PC116TS är ett tillval som utformats för att användas tillsammans med kaben PC116/PTC-400 och inte är avsett för andra användningar.

Justera kulhuvudena för rörstorleken:

- Tryck ner knappen **A**
- Flytta kulhuvudet till rätt rörstorleksposition (se figur 4) **B**
- Släpp knappen – bekräfta att det sitter stadigt på plats **C**

Justera stativets höjd genom att vrida hylsan för att höja eller sänka stativhuvudet. Stativet är utformat för att placeras på samma flata yta som kaben PC116/PTC-400. Se figur 3. Vid behov kan lämpliga mellanlägg (som trästycken) användas för att höja stativet.

- Begränsa åtkomst eller sätt upp skydd eller barriärer för att skapa minst 3 fot (1 m) fritt utrymme runt maskinen

och röret. Detta hjälper till att hindra personer i omgivningen från att komma i kontakt med maskinen eller röret och det minskar risken för vältning eller för att fastna.

- Placera fotokopplaren enligt figur 8 för att ge rätt arbetsläge.
- Dra kabeln längs en tydlig bana med omkopplaren i läget O-OFF. Koppla i nätkabeln i ett jordat uttag med torra händer. Håll alla anslutningar torra och ovan mark. Om elkabeln inte är tillräckligt lång ska du använda en förlängningskabel som:
 - Är i gott skick.
 - Har en plugg med tre stift som på den motordrivna rörkapen.
 - Är klassificerad för utomhusanvändning.
 - Har tillräcklig kabelstorlek. För förlängningssladdar upp till 50 fot (15,2 m) används 14 AWG (2,5 mm²) eller kraftigare dimension. För förlängningskablar på 50–100 fot (15,2–30,5 m) längd används 12 AWG (2,5 mm²) eller kraftigare dimension.
- Kontrollera att den motordrivna rörkapen fungerar som den ska. Med händerna ur vägen:
 - Ställ hastighetsomkopplaren i hastighetsläget I-LOW. Tryck ner och släpp upp fotokopplaren. Rullarna ska rotera som pilarna visar i figur 5. Om maskinen inte roterar i rätt riktning eller om fotokopplaren inte styr maskinens drift, använd inte maskinen förrän den har reparerats.
 - Håll ner fotokopplaren. Kontrollera att de rörliga delarna inte är felinställda eller avger konstiga ljud, inte kärvar och att det inte förekommer några andra problem. Ta bort foten från fotokopplaren. Om avvikande förhållanden upptäcks, använd inte maskinen förrän den har reparerats.



Figur 5 – Rullens rotationsriktning

- Flytta hastighetsomkopplaren till läge O-OFF (AV) och koppla från maskinen med torra händer.

Anvisningar för användning

⚠ VARNING



Bär inte handskar eller löst sittande kläder när du använder den motordrivna rörkapen. Knäpp knappar i

ärmar och jackor. Sträck dig inte över maskinen. Kläder kan fastna i maskinen och trassla in sig.

Håll händerna borta från roterande delar som rullar, rörfräs, kaptrissa och rör. Låt delarna stanna helt innan du hanterar verktyget eller röret. Detta minskar risken för att fastna i roterande delar.

Stöd rören ordentligt. Detta minskar risken för slag- och krosskador på grund av rör och utrustning som faller.

En person måste kontrollera arbetsprocessen och fotomkopplaren. Operatören är den enda person som får befinna sig inom arbetsområdet medan maskinen är i drift. Detta hjälper till att reducera risken för personskador.

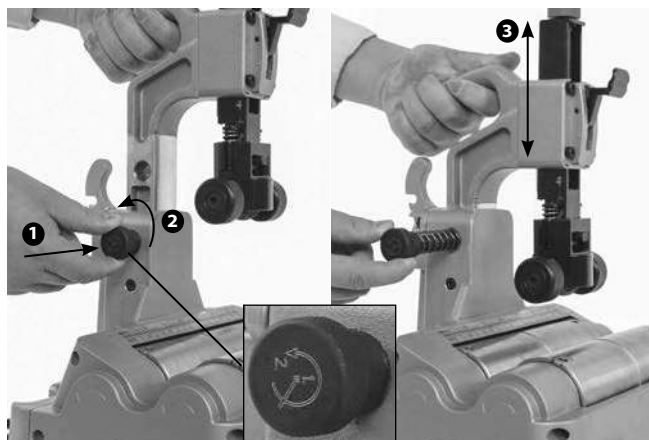
Följ bruksanvisningen för att minska risken för allvarliga skador från elstöt, indragning i maskinen, krosskador eller andra orsaker och för att förhindra maskinskador.

Kontrollera att maskinen och arbetsområdet är ordentligt förberedda och att arbetsområdet är fritt från kringstående och annat som kan distrahera. Föraren ska vara ensam i området när maskinen används.

Justera kopen för olika rörstorlekar

Snabb storleksändring

Storleksjustering med snabbomkopplare används för att snabbt kunna justera mellan rörstorleksområdena 2 tum (50 mm) och mindre och 2 till 4 tum (50 till 100 mm).



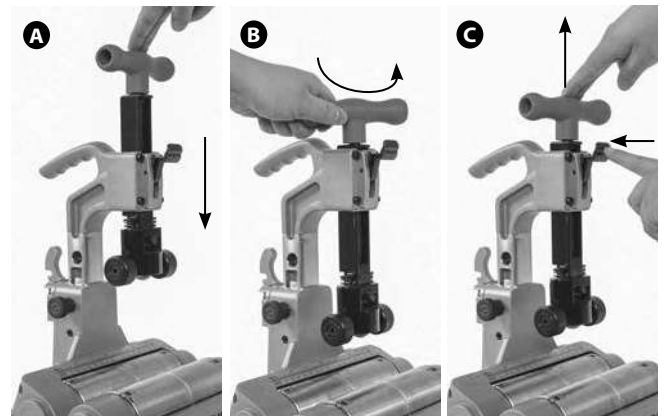
Figur 6 – Snabb storleksändring

1. Ta tag i greppet utan något rör i kopen och lossa stiftet genom att trycka ner ratten ❶ något och vrida försiktigt moturs ❷. Ratten är fjäderbelastad och dras tillbaka, kontrollera rattens rörelse. Se figur 6.
2. Använd greppet och flytta huvudet till önskat läge ❸.
3. Sätt i snabbomkopplarens ratt för att hålla huvudet i läge.

Justering av snabbmatningskap

Den här snabba kapjusteringen används för att mata fram och dra tillbaka kaptrissan under kapning.

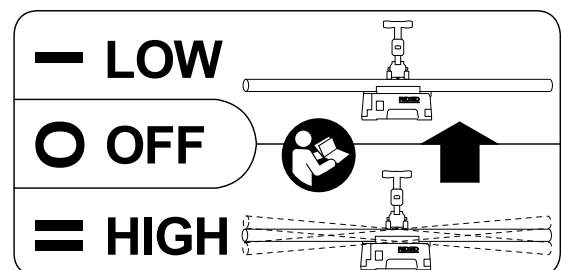
1. För fram kaptrissan genom att trycka ner handtaget (figur 7A) tills den tar emot röret.
2. Dra tillbaka kaptrissan gen om att lossa handtaget/matningsskruven 1–2 varv (figur 7B) och trycka på frigöringen (figur 7C) för att låta den gå tillbaka (den är fjäderbelastad – kontrollera handtagets rörelse).



Figur 7 – Snabbmatning: A – mata fram, B – lossa, C – dra tillbaka

Välja/ändra drifhastighet

Den motordrivna rörkapen har två drifhastigheter – LÅG och HÖG, se figur 8.



Figur 8 – Hastighetsetikett

LÅG hastighet (I-Low-omkopplarinställning). Det här ökar risken för rövibrationer och oscillation under användning.

Rekommenderas för rör med 2 tum (50 mm) diameter och mindre och längre än 6.5 fot (2 m)

HÖG hastighet (II-High-omkopplarinställning). Detta sänker kapningstiden.

För rör över 2 tum (50 mm) diameter med valfri längd

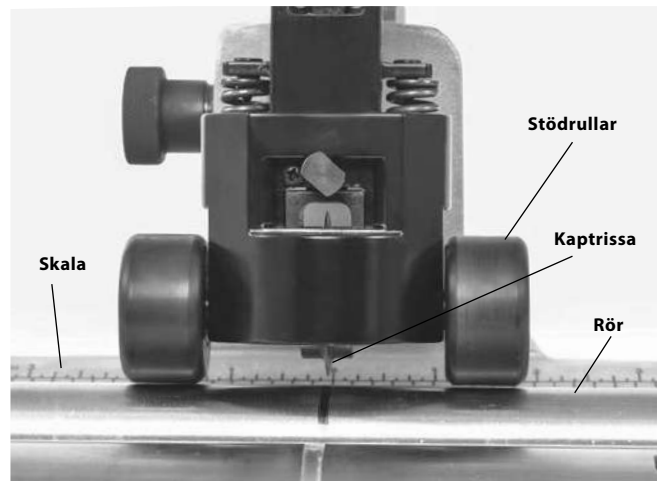
För alla rör kortare än 6.5 fot (2 m)

Rörvibrationer och svängningar beror på många faktorer som rörets längd, storlek, vikt, rakhet, stativriktning, rullhastighet osv. Om du vid något tillfälle känner att röret vibrerar eller pendlar kraftigt, släpp fotomkopplaren. Om II-hög hastighet är inställd, byt till I-låg hastighet och försök igen. Om du använder I-låg hastighet, byt kapmetod för rörstycket. Använd t.ex. en handkap.

Ändra hastighet genom att släppa fotomkopplaren och låta kapen stanna helt. Ställ omkopplaren i önskat läge. Ändra inte drifthastighet när maskinen är igång.

Kapa rör

1. Kontrollera att röret inte är tydligt böjt och att inga kopplingar är anslutna. Att kapa böjda rör eller rör med kopplingar kan orsaka kraftiga vibrationer och förlorad kontroll. Använd en handkap vid behov. Märk röret vid önskad längd. Maskinen har en mätskala för att underlätta arbetet.
2. Justera vid behov storleksområdet på den motordrivna rörkapen med snabbomkopplarens storleksjustering.
3. Placera röret på rullarna så att kapmarkeringen hamnar under kaptrissan, på skalans nollpunkt. Om röret sträcker sig bortom maskinen, placera stöd under röret. Stöden ska justeras så att röret ligger plant på rullarna. Detta säkerställer korrekt kapbana. Se figur 3.
4. Använd rätt arbetsställning så att du håller kontroll på maskinen och röret (se figur 10):
 - Se till att du har smidig åtkomst till verktygen och omkopplaren.
 - Se till att du kan kontrollera fotomkopplaren. Trampa inte ner fotomkopplaren än. Vid nödsituation måste du kunna släppa fotomkopplaren.
 - Håll god balans och sträck dig inte för långt.
5. Mata fram snabbmatningssystemet tills stödrullarna kommer i kontakt med röret (figur 9). Rikta in kaptrissan efter markeringen på röret. Dra åt matningsskruven så att kaptrissan kommer i kontakt med röret. När kaptrissan kommer i kontakt med röret matar du fram matningsskruven ytterligare 1 till 1,5 varv tills den greppar röret. Mata inte fram matningsskruven för mycket eftersom detta kan göra röret ovalt och öka spånbildningen.



Figur 9 – Stödrullarna i kontakt med röret

6. Ställ in I-Low/O-OFF/II-High-omkopplaren i rätt läge för det rör som kapas
7. Tryck ner fotomkopplaren. Rullarna och röret börjar rotera. Håll händerna borta från roterande delar.



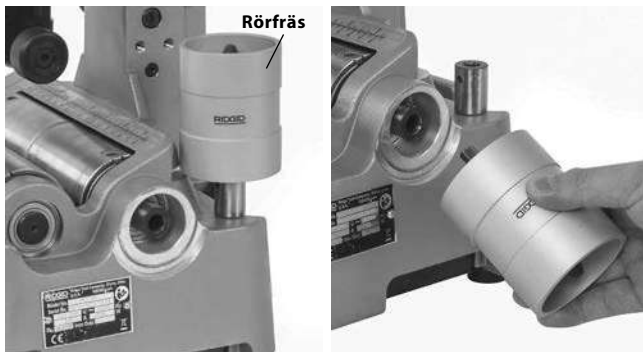
Figur 10 – Kapa rör

8. Mata fram matningsskruven genom att långsamt och kontinuerligt dra åt den tills röret har kapats. Aggressiv kapning kan skada kaptrissan och bilda mycket spån. Håll stödrullarna i kontakt med röret för att hjälpa till att hålla röret på plats.

Om röret vrids när det kapas, avbryt och kontrollera maskinuppställningen, särskilt inriktningen av rörstativen. Olika rörmaterial kan behöva ytterligare åtdragning av matningsskruven för att undvika spårning.

9. Ta bort foten från fotomkopplaren. Ställ sedan I-Low/O-OFF/I-High-omkopplaren i O-OFF-läge.
10. När röret slutar att rotera, lossa matningsskruven 1–2 varv och tryck på spärren för att dra tillbaka kaptrissan helt. Ta bort röret.

Fräsa rör



Figur 11 – Installera rörfräs

1. Ställ in I-Low/O-OFF/II-High-omkopplaren i läge O-OFF.
2. Ta bort rörfräsen från lagringspositionen och montera i användningsposition som visas i figur 11. Bekräfta att rörfräsen är säkert monterad.
3. Flytta I-Low/O-OFF/I-High-omkopplaren till I-Low-läge.
4. Tryck ner fotomkopplaren. Håll händerna på avstånd från rörändarna och roterande delar.
5. Håll röret stadigt. Stöd röret ordentligt för att hjälpa till att hålla kontrollen.
6. Placera röret över rörfräsens kon och lägg försiktigt på tryck (figur 12) för att avlägsna spån från insidan av rörändan. Tvinga inte in röret i rörfräsen eftersom det kan få fräsen att hålla fast röret så att det roterar i dina händer.



Figur 12 – Fräsa rör

7. Ta bort foten från fotomkopplaren.

8. Ställ in I-Low/O-OFF/II-High-omkopplaren i läge O-OFF.
9. Ta bort rörfräsen från användningsläget och återställ den i förvaringsläge.

Transport

1. Ta bort eller säkra all lös utrustning och material från maskinen innan du flyttar den för att undvika att den välter.
2. Placera kaptrissan i nedläget.
3. Linda strömkabeln och fotomkopplarens slang runt kabelkroken och säkra som i figur 13.
4. Lyft med greppet. Var försiktig när du lyfter och flyttar. Var medveten om maskinens vikt.



Figur 13 – Kabel/slang lindad

Förvaring

⚠ VARNING Den motordrivna rörkapen måste hållas torr och förvaras inomhus eller ordentligt täckt om den förvaras utomhus. Förvara maskinen i ett låst utrymme på behörigt avstånd från barn och personer som inte är behöriga att använda den motordrivna rörkapen. Den här maskinen kan orsaka allvarliga personskador i händerna på otränade användare.

Anvisningar för underhåll

⚠ VARNING

Se till att strömställaren är i läge O-OFF (AV) och att maskinen kopplas från innan du utför underhåll eller gör justeringar.

Underhåll kapen enligt dessa rutiner för att minska risken för personskador p.g.a. elchock, kläm- och skärskadorna eller annat.

Rengöring

Rengör maskinen försiktigt efter varje användning med en ren och torr trasa. Håll rullarna rena och fria från smuts och skräp.

Håll rörfraesen ren och fri från spån för maximal effektivitet.

Rengör damm och skräp från motorns ventilationsöppningar.

Smörjning

Smörj alla exponerade rörliga delar på den motordrivna rörkapen och PC116TS stativet (som matningsskruv, snabbmatningssystem, rullar och ledpunkter) med lätt smörjolja varje månad (eller oftare vid behov). Torka bort eventuell överskottsolja från exponerade ytor.

Byta kaptrissa

Se *Specifikationer* för val av korrekt kaptrissa. Byt kaptrissa när du ska skära i ett nytt material och ersätt kaptrissan när skärebben blir hackig eller flat. En extra kaptrissa kan förvaras på enheten. Se *figur 13*.

1. Ta bort länkstiftet. Trissans hållare lossnar (*figur 14*).



Figur 14 – Ta bort trissans hållare

2. Ta bort kaptrissans axel och kaptrissan/lagret (*figur 15*).
3. Inspektera lagret. Lagret ska röra sig fritt. Byt vid behov.
4. Utför processen i omvänd ordning för att installera kaptrissan.



Figur 15 – Byta kaptrissa

Motorns överströmskydd

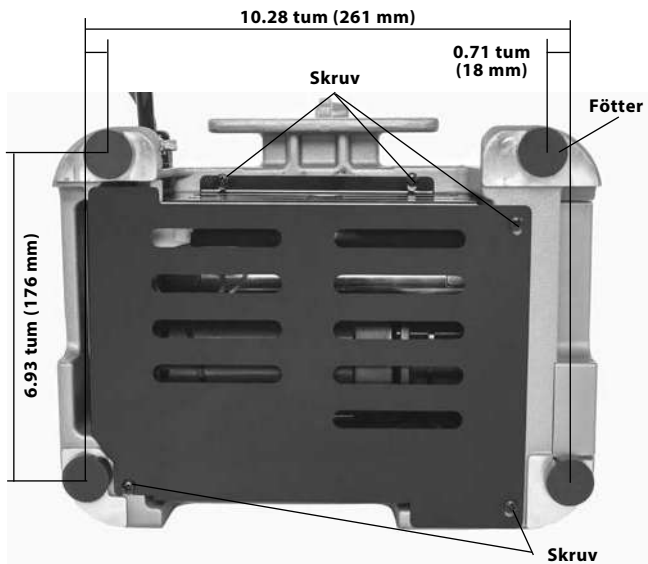
Kapen har ett överströmskydd som stänger av maskinen för att skydda motorn om den drar för mycket ström.

Om maskinen stängs av oväntat, lossa fotströmställaren. Placera strömställaren i läget O-OFF och koppla från maskinen. Ta bort eventuella rör från maskinen. Följ avsnitten Inspektion före drift och Ställa in maskinen och arbetsområdet för att bekräfta att maskinen fungerar som den ska.

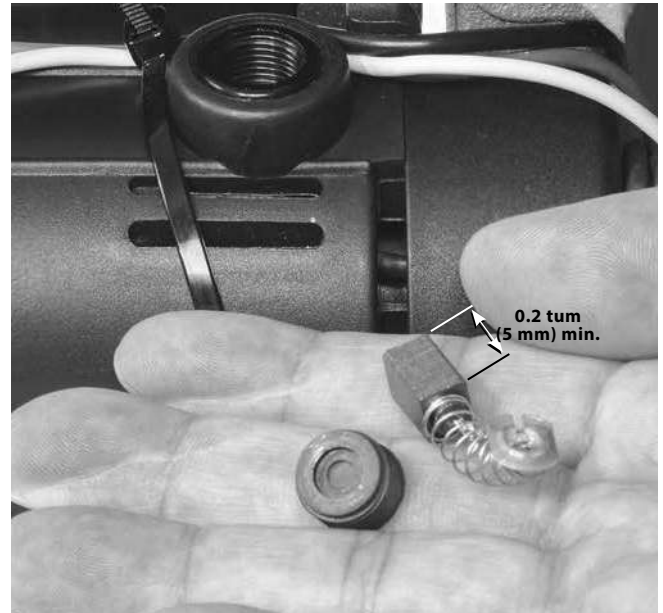
Byta motorborstar

Kontrollera motorborstarna var sjätte månad. Byt borstarna om de är kortare än 5 mm (0.2 tum).

1. Säkerställ att omkopplaren är i läge O-OFF (AV) och att maskinen är fränkopplad.
2. Lossa de fem skruvarna som håller den nedre kåpan (*figur 16*) och ta bort kåpan (vissa skruvar sitter kvar på kåpan).
3. Använd en skruvmejsel för att skruva loss och ta bort borstkåporna (*figur 17*). Ta försiktigt bort kolborstarna och kontrollera längden (*figur 18*). Om borstlängden är under 5 mm (0.2 tum), byt borstar.
4. Sätt i borsten i borsthållaren och rikta in borstflikarna korrekt i urtagen i borsthållaren.
5. Dra åt borstlocken ordentligt. Sätt dit den undre kåpan.
6. När maskinen återmonteras, kör maskinen på II – hög hastighet i fem minuter utan rör i maskinen för att köra in borstarna.

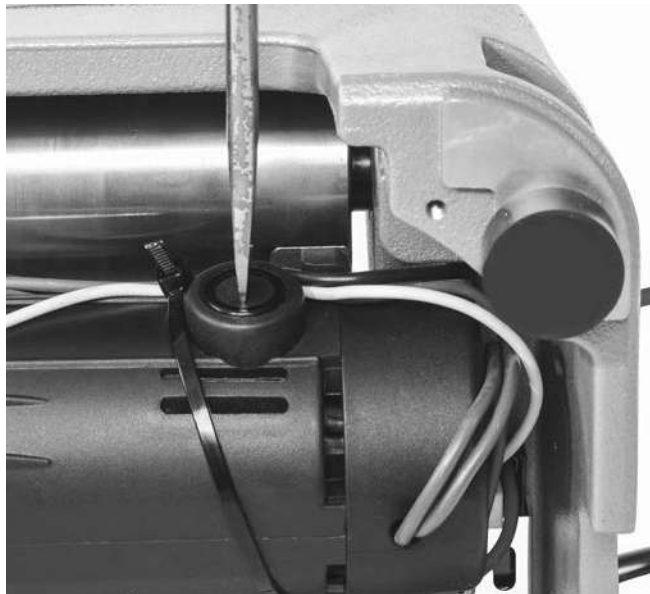


Figur 16 – Nedre kåpskruvar



Figur 18 – Inspektera borstlängden

Skanna QR-koden nedan för att komma åt dokumentation och video för PC116/PTC-400.



Figur 17 – Ta bort borstkåpan

Felsökning

PROBLEM	TÄNKBARA ORSAKER	LÖSNING
Kraftiga vibrationer under drift.	Fel drifhastighet.	Se <i>Välja drifhastighet</i> .
	Kapa ett böjt rör.	Kapa inte ett tydligt böjt rör. Använd en handkap.
	Ett långt rör som inte stöds ordentligt.	Stöd det långa röret med rörstativ.
	Maskinen är inte korrekt monterad.	Montera maskinen korrekt på en plan yta och fäst med fästbultar.
Maskinen kapar inte rör korrekt.	Sliten kaptrissa.	Byt ut den slitna kaptrissan.
	Användning på fel rörstorlek eller material.	Använd på rätt typ av rör (se <i>Specifikationer</i>).
Maskinen tjuvstannar under kapning.	Aggressiv matning av kaptrissan under kapning.	Mata kaptrissan försiktigt.
Maskinen fungerar inte.	Motorborstarna är slitna.	Installera nya motorborstar.
	Överströmskydd aktiverat.	<i>Följ motorns överströmanvisningar i underhållsavsnittet.</i>
Kraftiga rörspån eller slutdeformation.	Sliten eller skadad kaptrissa.	Byt ut kaptrissan.
	Aggressiv matning av kaptrissan under kapning.	Mata kaptrissan försiktigt.
Maskinen stannar medan fotomkopplaren är nedtryckt. Den startar om när fotomkopplaren trycks ned på nytt.	Hål i fotomkopplaren/slangen.	Byt fotomkopplaren.
	Luftomkopplaren läcker.	Om inga problem hittas på fotomkopplaren/slangen, byt ut luftomkopplaren.

Service och reparationer

⚠ VARNING

Felaktigt utförd service eller reparation kan göra maskinen osäker att använda.

Se avsnittet *Anvisningar för underhåll* för uppgifter om service på maskinen. Problem som inte beskrivs där måste hanteras av ett oberoende RIDGID-servicecenter. Använd endast reservdelar från RIDGID.

Information om närmaste oberoende RIDGID-servicecenter eller svar på frågor om service eller reparationer hittar du i *kontaktinformationen* i den här handboken.

Extrautrustning

⚠ VARNING

Minska risken för allvarliga personskador genom att endast använda tillbehör som är särskilt konstruerade och rekommenderas för användning med RIDGID PC116/PTC-400 motordriven rörkap, t.ex. de som anges.

Katalognr	Beskrivning
64903	PC116TS Rörstativ för användning med PC116/PTC-400
66253	PC116 220–240 V Motorkolborste
66248	PC116 100–120 V Motorkolborste
56662	VJ-99 28–52 tum högt rörstöd med V-huvud
64908	137S Rörfräs för PC116/PTC-400
66938	E850 Kaptrissa (för metallrör)
66943	E855 Kaptrissa (för plaströr)
64898	Kaptrissans lager

Du kan få en fullständig lista över RIDGID-utrustning för de här verktygen i Ridge Tool-katalogen på webben på RIDGID.com eller se *kontaktinformation*.

Bortskaffande

Delar av dessa verktyg innehåller värdefulla material som kan återvinnas. Det finns företag som specialiserar sig på återvinning. Bortskaffa komponenterna i överensstämmelse med alla gällande bestämmelser. Kontakta återvinningsmyndigheten i din kommun för mer information.



För EG-länder: Elektrisk utrustning får inte kastas i hushållssoporna!

Enligt EU-direktivet 2012/19/EU om avfall som utgörs av eller innehåller elektriska eller elektroniska produkter måste elektrisk utrustning som inte längre kan användas samlas in separat och bortskaffas på ett miljömässigt korrekt sätt.

Elektrisk rørskærer PC116/PTC-400



⚠ ADVARSEL!

Læs denne brugervejledning grundigt, før du bruger dette værktøj. Det kan medføre elektrisk stød, brand og/eller alvorlig personskade, hvis indholdet i denne vejledning ikke læses og følges.

Elektrisk rørskærer PC116/PTC-400

Skriv produktets serienummer, som du finder på mærkepladen, nedenfor, og sørg for at gemme det.

Serienr.

Indholdsfortegnelse

Registreringsformular til maskinserienummer	131
Sikkerhedssymboler	133
Generelle sikkerhedsadvarsler for maskinværktøj	133
Sikkerhed i arbejdsområdet	133
Elektrisk sikkerhed	133
Personlig sikkerhed	134
Anvendelse og vedligeholdelse af maskinværktøj	134
Service	134
Specifik sikkerhedsinformation	134
Kontaktoplysninger til RIDGID	135
Beskrivelse	135
Specifikationer	136
Standardudstyr	136
Montering	136
Montering på bord	136
Eftersyn før brug	137
Klargøring af maskine og arbejdsområde	137
Justering af rørstander PC116TS	138
Betjeningsvejledning	139
Justering af rørskeereren til forskellige rørstørrelser	139
Valg/ændring af driftshastighed	140
Skæring af rør	140
Fræsning af rør	141
Transport	142
Opbevaring	142
Vedligeholdelsesvejledning	142
Rengøring	142
Smøring	142
Skift af skærehjul	142
Beskyttelse mod motoroverstrøm	143
Udskiftning af motorbørster	143
Fejlfinding	145
Service og reparation	145
Ekstraudstyr	145
Bortskaffelse	146
EF-overensstemmelseserklæring	Indvendigt på bagside
Livstidsgaranti	Bagside

* Oversættelse af den originale brugervejledning

Sikkerhedssymboler

I denne brugervejledning og på selve produktet anvendes sikkerhedssymboler og signalford til at formidle vigtige sikkerhedsoplysninger. Dette afsnit indeholder yderligere oplysninger om disse signalford og symboler.



Dette er symbolet for en sikkerhedsmeddelelse. Symbolet bruges til at gøre dig opmærksom på en potentiel fare for personskade. Overhold alle sikkerhedsmeddelelser, der efterfølger dette symbol, for at undgå mulig personskade eller dødsfald.



FARE FARE angiver en farlig situation, som vil resultere i død eller alvorlig personskade, hvis den ikke undgås.



ADVARSEL ADVARSEL angiver en farlig situation, som kan resultere i død eller alvorlig personskade, hvis den ikke undgås.



FORSIGTIG FORSIGTIG angiver en farlig situation, som kan resultere i mindre eller moderat personskade, hvis den ikke undgås.



BEMÆRK BEMÆRK angiver oplysninger, der vedrører beskyttelse af ejendom.



Dette symbol betyder, at du skal læse brugervejledningen grundigt, før du anvender udstyret. Brugervejledningen indeholder vigtige oplysninger om sikker og korrekt brug af udstyret.



Dette symbol betyder, at du altid skal bære sikkerhedsbriller med sideværn eller beskyttelsesbriller, når du håndterer eller anvender dette udstyr, for at nedsætte risikoen for øjenskader.



Dette symbol angiver, at der er risiko for elektrisk stød.



Dette symbol angiver, at der er risiko for, at hænder, fingre eller andre kropsdele kommer i klemme eller bliver viklet ind i ruller eller andre bevægelige dele.



Dette symbol angiver, at der er risiko for snitskader på hænder, fingre og andre kropsdele forårsaget af roterende eller bevægelige dele.



Dette symbol angiver, at der er risiko for, at maskinen kan vælte og forårsage slag- eller knusningsskader.



Dette symbol betyder, at der ikke må anvendes handsker under arbejdet med denne maskine på grund af faren for indfiltrering.

Generelle sikkerhedsadvarsler for maskinværktøj*



Læs alle sikkerhedsadvarsler, anvisninger, illustrationer og specifikationer, der følger med dette maskinværktøj. Det kan medføre elektrisk stød, brand og/eller alvorlig personskade, hvis de i det følgende anførte anvisninger ikke overholdes.

GEM ALLE ADVARSLER OG ANVISNINGER TIL SENERE BRUG!

Termen "maskinværktøj" i advarslerne henviser til dit eldrevne (kablede) maskinværktøj eller batteridrevne (kabellose) maskinværktøj.

Sikkerhed i arbejdsområdet

- **Hold arbejdsområdet rent og godt oplyst.** Rodede eller mørke områder øger risikoen for ulykker.
- **Brug ikke maskinværktøjer i eksplosive atmosfærer, som f.eks. ved tilstedeværelse af brændbare væsker, gasser eller støv.** Maskinværktøjer danner gnister, som kan antænde støv eller dampe.
- **Hold børn og andre uvedkommende personer væk under brugen af et maskinværktøj.** Du kan miste kontrollen over værktøjet, hvis du bliver distraheret.

Elektrisk sikkerhed

- **Maskinværktøjets stik skal passe til stikkontakten. Foretag aldrig ændringer af stikket på nogen måde. Brug ikke adapterstik sammen med jordede maskinværktøjer.** Ikke-modificerede stik og passende stikkontakter nedsætter risikoen for elektrisk stød.
- **Undgå kropskontakt med jordede/stelforbundne overflader, som f.eks. rør, radiatorer, komfurer og køleskabe.** Der er en øget risiko for elektrisk stød, hvis din krop har stel- eller jordforbindelse.
- **Udsæt ikke maskinværktøjer for regn eller våde forhold.** Hvis der trænger vand ind i maskinværktøjet, forøges risikoen for elektrisk stød.
- **Håndter ledningen korrekt. Brug aldrig ledningen til at bære, trække eller afbryde maskinværktøjet. Hold ledningen væk fra varme, olie, skarpe kanter og bevægelige dele.** Beskadigede eller sammenfiltrede ledninger øger risikoen for elektrisk stød.
- **Anvend en forlængerledning, der er egnet til udendørs brug, når et maskinværktøj anvendes udendørs.** Anvendelse af en ledning, der er egnet til udendørs brug, mindsker risikoen for elektrisk stød.
- **Brug en strømkilde med fejlstrømsafbryder, hvis et maskinværktøj absolut skal anvendes et fugtigt sted.** Brugen af en fejlstrømsafbryder mindsker risikoen for elektrisk stød.

* Teksten i afsnittet Generelle sikkerhedsadvarsler for maskinværktøj i denne vejledning er efter behov overtaget ordret fra den relevante standard UL/CSA/EN 62841-1. Dette afsnit indeholder information om generel sikkerhedspraksis for mange forskellige typer maskinværktøj. Det er ikke alle forholdsregler, der gælder for hvert eneste værktøj, og nogle forholdsregler gælder ikke for dette værktøj.

Personlig sikkerhed

- **Vær hele tiden opmærksom, og hold øje med det, du foretager dig. Brug almindelig sund fornuft, når du arbejder med maskinværktøj. Brug ikke maskinværktøj, når du er træt eller påvirket af stoffer, alkohol eller medicin.** Et øjeblik uopmærksomhed, mens du bruger maskinværktøjer, kan medføre alvorlig personskade.
- **Brug personligt beskyttelsesudstyr. Brug altid beskyttelsesbriller.** Beskyttelsesudstyr, som f.eks. støvmaske, skridsikkert sikkerhedsfodtøj, hjelm eller høreværn, der anvendes under de relevante forhold, vil begrænse risikoen for personskade.
- **Forebyg utilsigtet start. Sørg for, at kontakten er i stillingen OFF, inden værktøjet sluttes til en strømkilde og/eller en batterienhed, og inden det samles op eller bæres.** Hvis du bærer maskinværktøj med fingeren på kontakten eller aktiverer maskinværktøj, der har kontakten i positionen TIL, er der høj risiko for ulykker.
- **Fjern eventuelle justeringsnøgler, inden der tændes for maskinværktøjet.** En nøgle, der er fastgjort til en roterende del på maskinværktøjet, kan eventuelt forårsage personskade.
- **Brug ikke værktøjet i uhensigtsmæssige arbejdsstillinger. Hav altid ordentligt fodfæste og god balance.** Det giver bedre kontrol over maskinværktøjet i uventede situationer.
- **Brug fornuftigt arbejdstøj. Bær ikke løstsiddende tøj eller smykker. Hold hår og tøj væk fra bevægelige dele.** Løst tøj, smykker eller langt hår kan blive fanget i bevægelige dele.
- **Sørg for, at støvudsugnings- og opsamlingsenheder er tilsluttet og anvendes korrekt, hvis der er mulighed for tilslutning af disse.** Brug af støvopsamling kan mindske støvrelaterede risici.
- **Lad ikke den familiaritet, der følger med hyppig anvendelse af værktøjer, få dig til at slække på og ignorere sikkerhedsprincipperne for værktøjer.** En skødesløs handling kan medføre alvorlig personskade i løbet af et splitsekund.

Anvendelse og vedligeholdelse af maskinværktøj

- **Forsøg ikke på at forcere maskinværktøj. Brug det korrekte maskinværktøj til anvendelsesformålet.** Det korrekte maskinværktøj udfører opgaven bedre og mere sikkert i den hastighed, som det er konstrueret til.
- **Brug ikke maskinværktøjet, hvis det ikke kan tændes og slukkes med kontakten.** Ethvert maskinværktøj, som ikke kan styres med kontakten, er farligt og skal repareres.

- **Afbryd stikket fra strømkilden og/eller fjern batterienheden fra maskinværktøjet såfremt muligt, inden der foretages justeringer, skiftes tilbehør eller maskinværktøj lægges til opbevaring.** Disse forebyggende sikkerhedsforanstaltninger mindsker risikoen for utilsigtet start af maskinværktøjet.
- **Opbevar maskinværktøjer, der ikke er i brug, så de er utilgængelige for børn, og lad ikke personer, der ikke er fortrolige med brugen af maskinværktøjet eller disse anvisninger, anvende værktøjet.** Et maskinværktøj er farligt i hænderne på uerfarne brugere.
- **Vedligehold maskinværktøjer. Kontrollér, om bevægelige dele er fejljusteret eller binder, om dele er ødelagt, og om der er andre forhold, som kan påvirke maskinværktøjets funktion. Hvis maskinværktøjet er beskadiget, skal det repareres inden brug.** Mange ulykker skyldes, at maskinværktøjet er dårligt vedligeholdt.
- **Hold skæreværktøjer skarpe og rene.** Det er mindre sandsynligt, at et korrekt vedligeholdt skæreværktøj med skarpe skær binder, og de er nemmere at styre.
- **Brug maskinværktøj, tilbehør, indsatser osv. i overensstemmelse med disse anvisninger og under hensyntagen til arbejdsforholdene og det arbejde, der skal udføres.** Hvis maskinværktøjet anvendes til andre formål, end hvad det er beregnet til, kan det medføre farlige situationer.
- **Hold håndtag og gribeblader tørre, rene og fri for olie og fedt.** Glatte håndtag og gribeblader hindrer sikker håndtering og kontrol over værktøjet i uventede situationer.

Service

- **Få maskinværktøjet serviceret af en kvalificeret tekniker, der udelukkende anvender identiske reservedele.** På denne måde opretholdes sikkerheden ved maskinværktøjet.

Specifik sikkerhedsinformation

▲ ADVARSEL

Dette afsnit indeholder vigtig sikkerhedsinformation, der gælder specifikt for dette værktøj.

Læs disse forholdsregler nøje, før du bruger den elektriske rørsårer PC116/PTC-400, for at nedsætte risikoen for elektrisk stød eller andre former for alvorlig personskade.

GEM ALLE ADVARSLER OG ANVISNINGER TIL SENERE BRUG!

Opbevar denne vejledning sammen med maskinen, så operatøren har den ved hånden.

- **Bær ikke handsker eller løstsiddende tøj, mens du betjener en elektrisk rørsårer. Tilknap altid ærmer og**

jakker. Ræk ikke henover maskinen. Tøj kan blive fanget i maskinen, hvilket kan føre til indfiltring.

- **Hold hænderne væk fra roterende dele som for eksempel ruller, fræser, skærehjul og rør.** Lad delenes bevægelse standse fuldstændigt, inden værktøjet eller røret håndteres. Dette vil nedsætte risikoen for indfiltring i roterende dele.
- **Fastgør maskinen på et stabilt bord eller understel. Understøt rørene på korrekt vis.** Dette nedsætter risikoen for slag- og knusningsskader som følge af, at rør og udstyr vælter og falder ned.
- **Skær ikke i synligt bøjeede rør eller rør med fittings.** Dette nedsætter risikoen for voldsom vibration og tab af kontrol over maskinen og/eller røret.
- **Anvend altid passende øjenværn og personligt beskyttelsesudstyr.** Skæreværktøjer kan gå itu eller splintres. På den måde nedsættes risikoen for personskade.
- **Én person skal styre arbejdsprocessen og fodkontakten.** Kun operatøren bør være i arbejdsområdet, når maskinen kører. Dette bidrager til at nedsætte risikoen for personskade.
- **Læs og forstå disse anvisninger samt advarslerne og anvisningerne i relation til alt udstyr og materiale, der anvendes, inden dette værktøj tages i brug, for at nedsætte risikoen for alvorlig personskade.**

Kontaktoplysninger til RIDGID

Hvis du har spørgsmål angående dette RIDGID®-produkt:

- Kontakt den lokale RIDGID®-forhandler.
- Gå ind på RIDGID.com for at finde dit lokale RIDGID-kontaktpunkt.
- Kontakt Ridge Tool's tekniske serviceafdeling på rtctechservices@emerson.com, eller ring på følgende nummer i USA og Canada: (800) 519-3456.

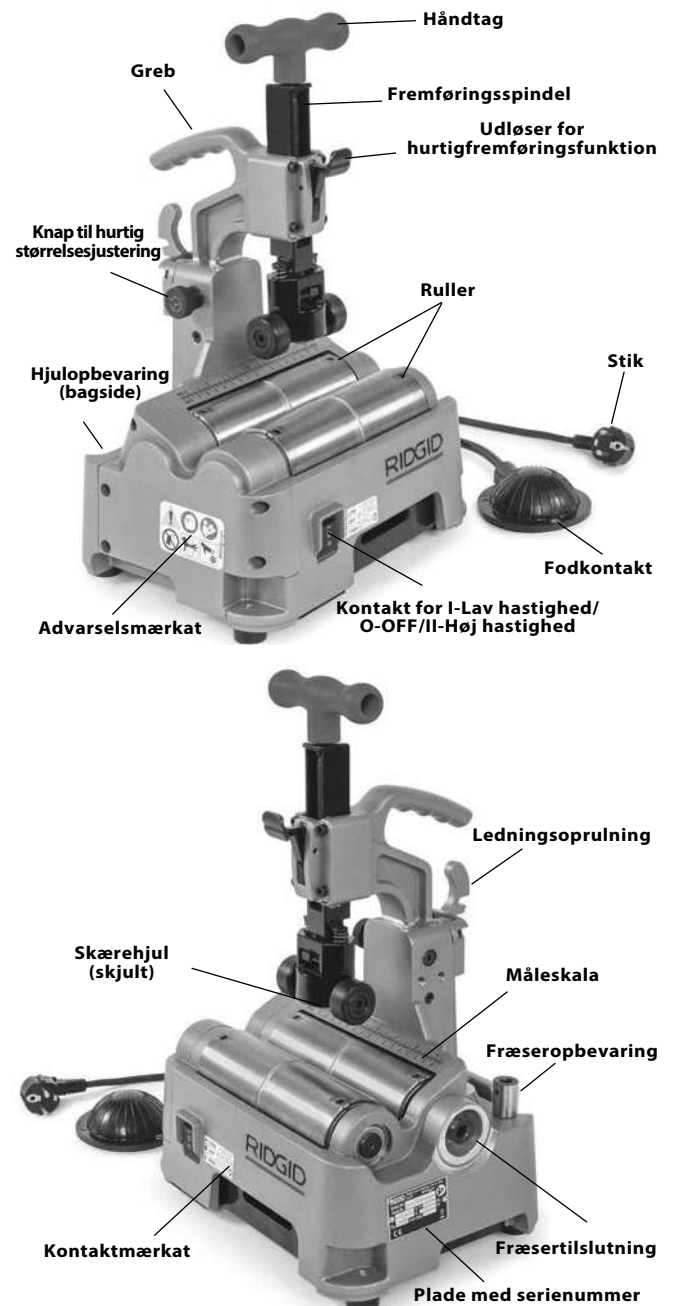
Beskrivelse

Den elektriske rørskærer PC116/PTC-400 fra RIDGID® er beregnet til at skære rør/kabelrør af metal og plast med en nominal størrelse på ½" til 4" (12 til 100 mm).

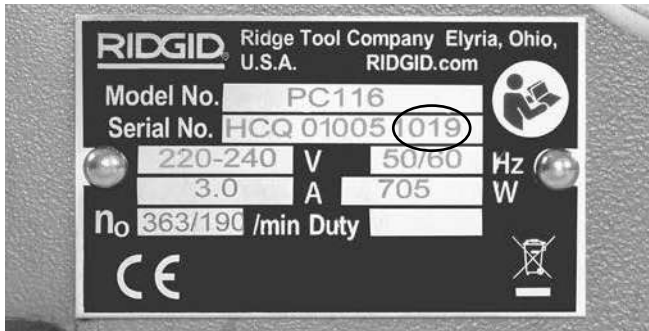
En kontakt til indstilling af to hastigheder styrer rullernes hastighed og en pneumatisk fodkontakt styrer motorens til og frakobling (ON/OFF). Der forefindes også en måleskala til rørmåling. Den elektriske rørskærer er let og kompakt, så den er nem at transportere.

Der fås en fræser (ekstraudstyr) til fjernelse af grater inde i rør på op til 2" (50 mm).

Rørskæreren er ikke beregnet til anvendelse på større/tykkere rør.



Figur 1 – Elektrisk rørskærer PC116/PTC-400 fra RIDGID®


Figur 2 – Maskinserienummer

Maskinens serienummer findes på siden af rørskæreren. De sidste 4 cifre angiver produktionsmåned og -år. (10 = måned, 19 = år).

Specifikationer

Skærekapacitet for
 nominel rørstørrelse ½" til 4" (12 mm til 100 mm)
 Reel skærekapacitet ½" til 4.5" (12 mm til 116 mm)

Rør-/kabelrør- materiale*	Maksimal vægtykkelse	Skærehjul	
		E-850 Kat. #66938	E-855 Kat. #66943
Kulstofstål	0.1" (2,5 mm)	X	
Rustfrit stål	0.1" (2,5 mm)	X	
Aluminium	0.1" (2,5 mm)	X	
Kobber	0.1" (2,5 mm)		X
Plast	0.23" (6 mm)		X

* Dette er kun en generel retningslinje. Materialesammensætning, hårdhed og andre faktorer har indflydelse på skæreevnen, hjullevetiden, gratdannelsen osv.

Nominal
 fræsekapacitet..... ½" til 2" (12 mm til 50 mm)
 (ekstraudstyr)

Maks. rørlængde 20' (6 m)

Motor

Type.....	Universel	
Spænding.....	100-120 V	220-240 V
Strømstyrke.....	5,8 A	3,0 A
Frekvens.....	50/60 Hz	50/60 Hz
Effekt.....	705 W	705 W

Der henvises til pladen med serienummeret på produktet for specifik information i relation til enheden.

Rullerrotationshastighed 190/363 o/min. for 220-240 V,
 225/385 o/min. 100-120 V

Betjeningsanordninger..... Kontakt for I-Lav hastighed/O-OFF/
 II-Høj hastighed og ON/OFF-fod-
 kontakt

Vægt..... 32 lbs. (14,5 kg)

Samlet mål

L x B x H..... 11.6" x 9.4" x 15.9"
 (295 mm x 239 mm x 403 mm)

Driftstemperatur..... -4 °F til 122 °F (-20 °C til 50 °C)

Lydtryk (L_{PA})* 82,3 dB(A), K=3

Lydeffekt (L_{WA})* 93,3 dB(A), K=3

* Målingerne af lyd er foretaget i overensstemmelse med en standardiseret test i henhold til standarden EN 62481-1.

- Lydemissionerne kan variere alt efter anvendelsesstedet og den specifikke anvendelse af disse værktøjer.

- De daglige eksponeringsniveauer for lyd evalueres for hver anvendelse, og de relevante sikkerhedstiltag skal implementeres efter behov. Ved evalueringen af eksponeringsniveauerne bør det tidsrum, hvor et værktøj er slukket (OFF) og ikke anvendes, tages i betragtning. Dette kan reducere eksponeringsniveauer for hele arbejdsperioden betydeligt.

Standardudstyr

Se RIDGID-kataloget for information om, hvilket udstyr, der medfølger med de specifikke maskinkatalognumre.

BEMÆRK Systemkonstruktøren og/eller -installatøren er ansvarlig for at udvælge passende materialer samt installations-, sammenføjnings- og formningsmetoder. Valg af forkerte materialer og metoder kan føre til systemsvigt.

Rustfrit stål og andre korrosionsbestandige materialer kan blive kontamineret under installation, sammenføjning og formning. Denne kontaminering kan føre til korrosionsdannelse og for tidligt svigt. Inden installationen påbegyndes, skal der udføres en omhyggelig vurdering af materialernes og metodernes egnethed til de specifikke arbejdsforhold, herunder kemiske forhold og temperaturforhold.

For at nedsætte risikoen for jernkontaminering af rustfrit stål skal rullerne være rene og fri for materialerester. Foretag grundig rengøring med en børste af rustfrit stål. Skift skærehjulet og fræseren, inden værktøjet anvendes på materiale af rustfrit stål. Det er god praksis at dedikere en rørskærer til rustfrit stål.

Montering

⚠ ADVARSEL

For at nedsætte risikoen for alvorlig personskade under anvendelsen skal disse procedurer for korrekt montering følges. Kontakten skal stå i stillingen OFF, og maskinens stik skal være taget ud af stikkontakten, inden monteringen foretages.

Montering på bord

Maskinen kan monteres på et plant og stabilt bord. Sådant monteres enheden på et bord: skru gummifødderne i de fire hjørner af maskinens bund (se figur 16) ud og anvend M8 bolte til at fastholde maskinen på bordet. Tilspænd dem korrekt.

Eftersyn før brug

⚠ ADVARSEL



Efterse den elektriske rørskærer hver gang, inden den tages i brug, og afhjælp eventuelle problemer for at nedsætte risikoen for alvorlig personskade som følge af elektrisk stød, indfiltrering, knusningsskader osv. samt for at forhindre, at maskinen beskadiges.

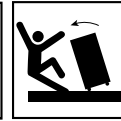
1. Sørg for, at den elektriske rørskærers stik er taget ud af stikkontakten.
2. Rengør maskinen og udstyret, herunder håndtag og betjeningsanordninger. Dette understøtter eftersynet og er med til at forhindre, at maskinen eller betjeningsanordningen glider ud af hånden på dig. Rengør og vedligehold maskinen i henhold til vedligeholdelsesanvisningerne.
3. Kontrollér den elektriske rørskærer for følgende:
 - Kontrollér, om ledningen og stikket er beskadiget eller ændret.
 - Korrekt montage, vedligeholdelse og fuldstændighed.
 - Dele, der er i stykker, slidt, mangler, forkert rettet ind eller binder eller anden form for beskadigelse.
 - Tilstedeværelse af fodkontakten samt dennes funktion. Kontrollér, at fodkontakten er tilsluttet, i god stand, at den har en jævn vandring og ikke sætter sig fast.
 - Fri bevægelse af fremføringsspindel, skærehjul og støtteruller.
 - Tilstedeværelse af advarselmærkaten og andre mærkater samt at disse kan læses (se figur 1).
 - Kontrollér skærehjulets og fræserens skær for slitage, deformation, spåner eller andre forhold. Sløve, beskadigede eller løse skær kan beskadige værktøjet, frembringe et snit af ringe kvalitet og øge risikoen for personskade.
 - Foretag rengøring, kontrol og smøring efter behov, hvis rørskæreren/-erne PC116TS anvendes.
 - Forhold, der kan forhindre en sikker og normal drift.

Hvis der konstateres nogen former for fejl, må værktøjet ikke anvendes, før fejlene er afhjulpet.

4. Kontrollér og vedligehold alt udstyr, der anvendes, i henhold til anvisningerne for at sikre, at det fungerer korrekt.

Klargøring af maskine og arbejdsområde

⚠ ADVARSEL



Klargør den elektriske rørskærer og arbejdsområdet i overensstemmelse med disse procedurer for

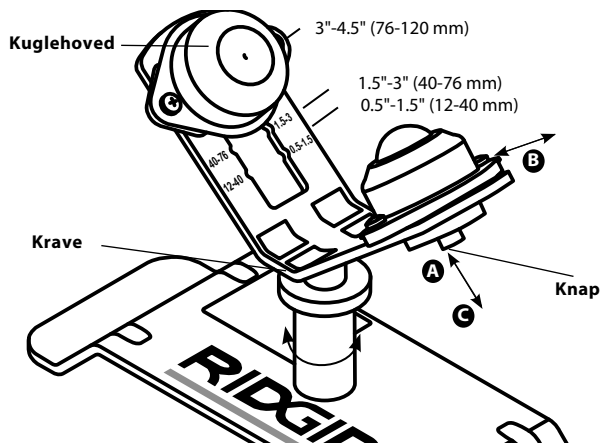
at nedsætte risikoen for alvorlig personskade som følge af elektrisk stød, indfiltrering, knusningsskader og andre årsager samt for at forhindre, at maskinen beskadiges.

1. Kontrollér arbejdsområdet for:
 - Tilstrækkelig belysning.
 - Brændbare væsker, dampe eller støv, der kan antændes. Hvis sådanne antændelseskilder er til stede, så undlad at arbejde i området, indtil de er blevet identificeret og fjernet. Rørskæreren er ikke eksplosions sikker og kan fremkalde gnister.
 - Et ryddet, plant, stabilt, tørt sted til alt udstyret og operatøren.
 - En stikkontakt, der er korrekt jordet og har den korrekte spænding. Se den påkrævede spænding på maskinens serienummerplade. En stikkontakt med tre huller eller fejlstrømsafbryder er muligvis ikke tilstrækkeligt jordet. Hvis du er i tvivl, skal du få stikkontakten kontrolleret af en autoriseret elektriker.
2. Gennemgå arbejdet, der skal udføres. Fastslå materialet, typen og størrelsen på røret. Vælg det korrekte udstyr til arbejdsopgaven. Se afsnittet "Specifikationer".
3. Bekræft, at alt udstyr, der skal anvendes, er blevet ordentligt eftersat og korrekt monteret.
4. Anbring maskinen på et fladt, plant og stabilt underlag. Se "Montering på bord" i afsnittet "Montering". Kontrollér, at enheden er stabilt og sikkert placeret.
5. Anvend en eller flere egnede rørstandere til at understøtte røret, hvis røret vil stikke mere end 6" (15 cm) ud fra maskinen. Anbring rørstanderne på linje med rullerne. Ved længere rør skal der muligvis anvendes mere end én rørstander. Anvend kun rørstandere, der er beregnet til dette formål. Forkert anvendelse af rørstandere eller manuel understøttelse af røret kan få maskinen til at vælte eller forårsage personskade som følge af indfiltrering. Den angivne kapacitet for rørstanderne må ikke overskrides. Anvend rørstander PC116TS fra RIDGID til understøttelse af røret, når rørskæreren og rørskæreren er på samme niveau.

Der kan anvendes en række forskellige rørstandere fra RIDGID til at understøtte røret, hvis der arbejdes på et bord eller et andet hævet arbejdsområde. Hvis PC116/PTC-400 bruges på jorden, så anvend rørstanderen PC116TS fra RIDGID til at understøtte røret. Se figur 3.



Figur 3 – Placering af rørstander



Figur 4 – Justering af rørstander PC116TS

Justering af rørstander PC116TS

Rørstanderen PC116TS er ekstraudstyr, der kan tilvælges, og den er beregnet til anvendelse sammen med rørskeereren PC116/PTC-400 og ikke til andre formål.

Sådan justeres kuglehovederne i forhold til rørstørrelsen:

- Tryk knappen ind **A**
- Flyt kuglehovedet til den korrekte position for rørstørrelsen (se figur 4) **B**
- Slip knappen – kontrollér, at placeringen er korrekt og sikker **C**

Juster rørstanderhøjden ved at dreje kraven for at hæve eller sænke hovedet. Rørstanderen er beregnet til at blive placeret på det samme flade underlag som rørskeereren PC116/PTC-400. Se figur 3. Der kan om nødvendigt gøres brug af egnede afstandsstykker (som for eksempel et stykke træ) til at hæve rørstanderen.

- Begræns adgangen eller opstil afskærmninger eller barrikader for at skabe et frirum på mindst 3' (1 m) omkring maskinen og røret. Dette er med til at forhindre omkringstående i at komme i kontakt med maskinen eller røret og nedsætter risikoen for indfiltring eller at maskinen vælter.
- Placer fodkontakten som vist på figur 8 for at sikre en korrekt betjeningsstilling.
- Før ledningen langs en fri passage – kontakten skal stå i stillingen O-OFF. Sørg for at have tørre hænder, og slut strømledningen til en korrekt jordet stikkontakt. Hold alle tilslutninger tørre, og lad dem ikke ligge på gulvet. Hvis strømledningen er for kort, skal der anvendes en forlængerledning, der:
 - Er i god stand.
 - Har et trebenet stik ligesom på den elektriske rørskeer.
 - Er klassificeret til anvendelse udendørs.
 - Har en tilstrækkelig ledningsstørrelse. For forlængerledninger på op til 50' (15,2 m) anvendes 14 AWG (2,5 mm²) eller derover. For forlængerledninger på 50'-100' (15,2 m - 30,5 m) anvendes 12 AWG (2,5 mm²) eller derover.
- Kontrollér, at den elektriske rørskeerer fungerer korrekt. Hold hænderne fri:
 - Sæt hastighedskontakten i stillingen I-Lav hastighed. Træd på fodkontakten og slip den. Rullerne bør rotere som angivet med pilene i figur 5. Hvis maskinen ikke roterer i den korrekte retning eller fodkontakten ikke styrer maskinens funktion, skal maskinen repareres, inden den anvendes.
 - Træd fodkontakten ned, og hold den nedtrådt. Kontrollér, om de bevægelige dele er fejljusteret, binder eller har mislyde samt for andre unormale forhold. Fjern foden fra fodkontakten. Hvis der er nogen former for unormale forhold, skal maskinen repareres, inden den anvendes.



Figur 5 – Rullernes rotationsretning

10. Sæt hastighedskontakten i stillingen O-OFF, og træk maskinens stik ud af stikkontakten med tørre hænder.

Betjeningsvejledning

⚠ ADVARSEL



Bær ikke handsker eller løstsiddende tøj, når du betjener den elektriske rørskærer. Tilknap altid ærmer og jakker. Ræk ikke henover maskinen. Tøj kan blive fanget i maskinen, hvilket kan føre til indfiltring.

Hold hænderne væk fra roterende dele som for eksempel ruller, fræser, skærehjul og rør. Lad delenes bevægelse standse fuldstændigt, inden værktøjet eller røret håndteres. Dette vil nedsætte risikoen for indfiltring i roterende dele.

Understøt rørene på korrekt vis. Dette nedsætter risikoen for slag- og knusningsskader som følge af, at rør og udstyr vælter og falder ned.

Én person skal styre arbejdsprocessen og fodkontakten. Kun operatøren bør være i arbejdsområdet, når maskinen kører. Dette bidrager til at nedsætte risikoen for personskade.

Følg betjeningsvejledningen for at nedsætte risikoen for alvorlig personskade som følge af elektrisk stød, indfiltring, knusningsskader og andre årsager samt for at forhindre, at maskinen beskadiges.

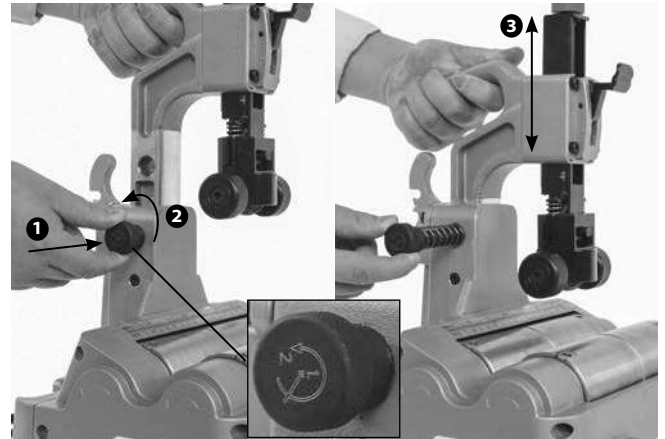
Sørg for, at maskinen og arbejdsområdet er korrekt klargjort, og at der ikke er uvedkommende personer eller andet, der virker distraherende, i arbejdsområdet. Operatøren bør være den eneste person i området, når maskinen betjenes.

Sørg for, at maskinen og arbejdsområdet er korrekt klargjort, og at der ikke er uvedkommende personer eller andet, der virker distraherende, i arbejdsområdet. Operatøren bør være den eneste person i området, når maskinen betjenes.

Justering af rørskæreren til forskellige rørstørrelser

Knap til hurtig størrelsesjustering

Knappen til hurtig størrelsesjustering bruges til hurtig justering mellem rørstørrelserne 2" (50 mm) og derunder og 2" til 4" (50 mm til 100 mm).



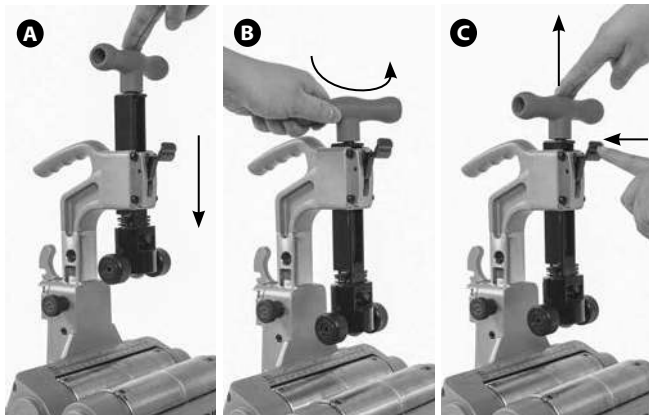
Figur 6 – Knap til hurtig størrelsesjustering

1. Der må ikke være placeret et rør i rørskæreren – tag fat i grebet og frigør tappen ved at trykke knappen ① en smule ind og dreje den en smule mod uret ②. Knappen er fjederbelastet og vil bevæge sig tilbage – sørg for at styre knappens bevægelse. *Se figur 6.*
2. Placer hovedet i den ønskede stilling ved hjælp af grebet ③.
3. Før knappen ind for at fastholde hovedet i stillingen.

Hurtigfremføringsregulering

Hurtigfremføringsreguleringen bruges til at føre skærehjulet frem og trække det tilbage under skærearbejdet.

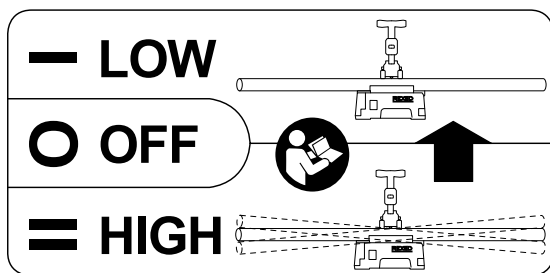
1. For at føre skærehjulet fremad: pres håndtaget ned (*figur 7A*), indtil det er i kontakt med røret.
2. For at trække skærehjulet tilbage: løsn håndtaget/fremføringsspindlen 1-2 omgange (*figur 7B*) og tryk på udløseren (*figur 7C*), så det kan trækkes tilbage (det er fjederbelastet – styr håndtagets bevægelse).



Figur 7 – Hurtigfremføring: A - før frem, B - løsn, C - træk tilbage

Valg/ændring af driftshastighed

Den elektriske rørskærer har to driftshastigheder – lav og høj (LOW/HIGH), se figur 8.



Figur 8 – Hastighedsmærkat

LAV hastighed (kontaktindstilling I-Lav hastighed). Denne hastighed nedsætter risikoen for vibration og oscillation i røret under anvendelsen.

Anbefales til rør med en diameter på højst 2" (50 mm) og en længde over 6.5' (2 m)

HØJ hastighed (kontaktindstilling II-Høj hastighed). Denne hastighed sænker skæretiden.

Til rør med en diameter over 2" (50 mm) af enhver længde

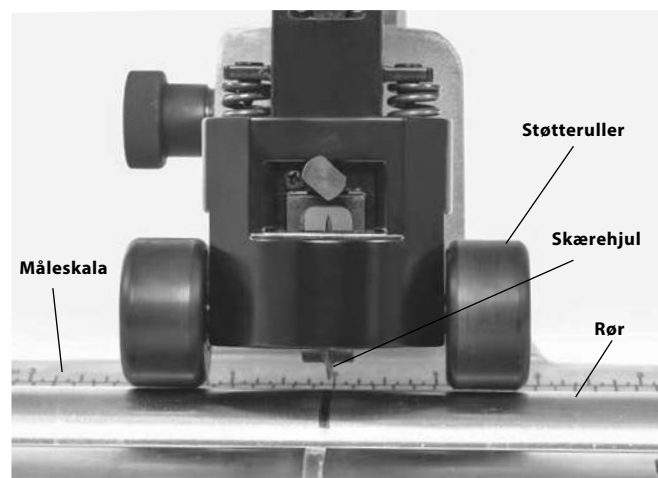
Til rør med en længde under 6.5' (2 m)

Vibrationen og oscillationen i røret afhænger af mange faktorer som for eksempel længden, størrelsen, vægten, retheden, rørstandertilpasningen, rullernes hastighed osv. Slip fodkontakten, hvis det på noget tidspunkt forekommer, at røret vibrerer eller oscillerer voldsomt. Hvis indstillingen er II-Høj hastighed, så skift til I-Lav hastighed og prøv igen. Hvis indstillingen er I-Lav hastighed, så vælg en anden skæremetode som for eksempel med en håndholdt rørskærer.

Slip fodkontakten og lad rørskæreren standse helt for at skifte hastighed. Sæt kontakten i den ønskede stilling. Driftshastigheden må ikke ændres, mens maskinen kører.

Skæring af rør

1. Kontrollér, at røret ikke er synligt bøjet og at der ikke er påmonteret fittings. Hvis der skæres i bøjede rør eller rør med fittings, kan det føre til voldsom vibration og tab af kontrol. Anvend en håndholdt rørskærer om nødvendigt. Afmærk røret i den ønskede længde. For at gøre arbejdet lettere er der en måleskala på maskinen.
2. Juster den elektriske rørskærers størrelsesområde ved hjælp af knappen til hurtig størrelsesjustering om nødvendigt.
3. Anbring røret på rullerne, så skæremærket er placeret under skærehjulet, på nulmærket på skalaen. Hvis røret stikker ud fra maskinen, så understøt røret med rørstandere. Rørstanderne skal justeres, så røret er placeret lige på rullerne. Dette vil være med til at sikre korrekt sporing af skæringen. Se figur 3.
4. Indtag en korrekt betjeningsstilling for at bevare kontrollen over maskinen og røret (se figur 10):
 - Sørg for, at du har god adgang til værtkøjerne og kontakten.
 - Vær sikker på, at du kan betjene fodkontakten. Træd ikke på fodkontakten endnu. I nødstilfælde skal du kunne slippe fodkontakten.
 - Sørg for, at du har god balance og ikke behøver at stå i en uheldig stilling.
5. Aktivér hurtigfremføringssystemet, indtil støtterullerne er i kontakt med røret (figur 9). Tilpas skærehjulet i forhold til mærket på røret. Spænd fremføringsspindlen, så skærehjulet kommer i kontakt med røret. Før fremføringsspindlen 1 til 1½ omgang yderligere frem, når skærehjulet er i kontakt med røret, så der gribes fat i røret. Før ikke fremføringsspindlen for meget frem, da det kan føre til, at røret få en oval form og at gradtannelsen øges.



Figur 9 – Støtteruller i kontakt med rør

- Sæt kontakten for I-Lav hastighed/O-OFF/II-Høj hastighed i den rette stilling til skæring i røret.
- Træd på fodkontakten. Rullerne og røret vil begynde at rotere. Hold hænderne fri af roterende dele.



Figur 10 – Skæring af rør

- Før fremføringsspindlen frem ved langsomt og konstant at spænde fremføringsspindlen, indtil røret er skåret over. Aggressivt skærearbejde kan føre til beskadigelse af skærehjulet og voldsom gratdannelse. Støtterullerne skal forblive i kontakt med røret, så røret holdes på plads. Hvis røret snor sig under skærearbejdet, så stands arbejdet og kontrollér maskinopsætningen, især rørstandernes tilpasning. En smule ekstra tilspænding af fremføringsspindlen kan være nødvendig ved forskellige rørmaterialer for at forbedre sporingen.
- Fjern foden fra fodkontakten. Sæt derefter kontakten for I-Lav hastighed/O-OFF/II-Høj hastighed i stillingen O-OFF.
- Løsn fremføringsspindlen 1-2 omgange og tryk på udløseren for at trække skærehjulet helt tilbage, når røret holder op med at rotere. Fjern røret.

Fræsning af rør



Figur 11 – Montering af fræser

- Sæt kontakten for I-Lav hastighed/O-OFF/II-Høj hastighed i stillingen O-OFF.
- Fjern fræseren fra opbevaringspladsen og monter den i anvendelsespositionen som vist i figur 11. Kontrollér, at fræseren er monteret forsvarligt.
- Sæt kontakten for I-Lav hastighed/O-OFF/II-Høj hastighed i stillingen I-Lav hastighed.
- Træd på fodkontakten. Hold hænderne fri af rørenderne og roterende dele.
- Tag ordentligt fat i røret. Understøt røret korrekt for at bevare styringen.
- Anbring røret over fræserkonussen og påfør forsigtigt tryk (figur 12) for at fjerne grater fra rørendens inderside. Undlad at føre røret ind i fræseren med magt, da det kan få fræseren til at gribe fat i røret og rotere det i dine hænder.



Figur 12 – Fræsning af rør

- Fjern foden fra fodkontakten.
- Sæt kontakten for I-Lav hastighed/O-OFF/II-Høj hastighed i stillingen O-OFF.

9. Fjern fræseren fra anvendelsespositionen og sæt den tilbage på opbevaringspladsen.

Transport

1. Fjern alt løst udstyr og materiale fra maskinen eller fastgør det, inden maskinen flyttes, så fald og vælt undgås.
2. Anbring skærehjulet i stillingen nedefter.
3. Vikl strømledningen og fodkontaktslangen om ledningskrogen og foretag sikring som vist i figur 13.
4. Løft i grebet. Foretag løft og bevægelse med forsigtighed. Vær opmærksom på maskinens vægt.



Figur 13 – Viklet ledning/slange

Opbevaring

⚠ ADVARSEL Den elektriske rørskærer holdes tør og opbevares indendørs eller tilstrækkeligt overdækket udendørs. Opbevar maskinen i et aflåst område, der er utilgængeligt for børn og personer, der ikke er fortrolige med brugen af den elektriske rørskærer. Denne maskine kan forårsage alvorlig personskade, hvis den håndteres af uerfarne brugere.

Vedligeholdelsesvejledning

⚠ ADVARSEL

Sørg for, at kontakten står i stillingen O-OFF, og at maskinens stik er taget ud af stikkontakten, inden der foretages nogen form for vedligeholdelses- eller justeringsarbejde.

Foretag vedligeholdelse af rørskæreren i henhold til disse procedurer for at nedsætte risikoen for personskade som følge af elektrisk stød, indfiltrering og andre årsager.

Rengøring

Rengør forsigtigt maskinen efter hver anvendelse med en ren og tør klud. Sørg for at holde rullerne rene og fri for snavs og materialerester.

Sørg for at holde fræseren ren og fri for spåner, så der opnås maksimal effektivitet.

Fjern støv og materialerester fra motorventilatorerne.

Smøring

Smør alle blotlagte, bevægelige dele på den elektriske rørskærer og rørstanderen PC116TS (fremføringsspindel, hurtigfremføringssystem, ruller og drejepunkter) med en let smøroleie en gang om måneden (eller oftere om nødvendigt). Tør overskydende olie af de blotlagte overflader.

Skift af skærehjul

Se *Specifikationer* for valg af det rette skærehjul. Skift skærehjulet, når der skæres i forskellige materialer. Udskift skærehjulet, når skæret bliver hakket eller fladt. Der kan opbevares et ekstra skærehjul på enheden. Se Figur 13.

1. Fjern forbindelsestappen. Hjulholderen falder ud (figur 14).



Figur 14 – Fjernelse af hjulholder

2. Fjern hjultappen og skærehjulet/lejet (figur 15).
3. Kontrollér lejet. Lejet skal kunne bevæges frit. Udskift det om nødvendigt.
4. Skærehjulet monteres i omvendt rækkefølge.



Figur 15 – Skift af skærehjul

Beskyttelse mod motoroverstrøm

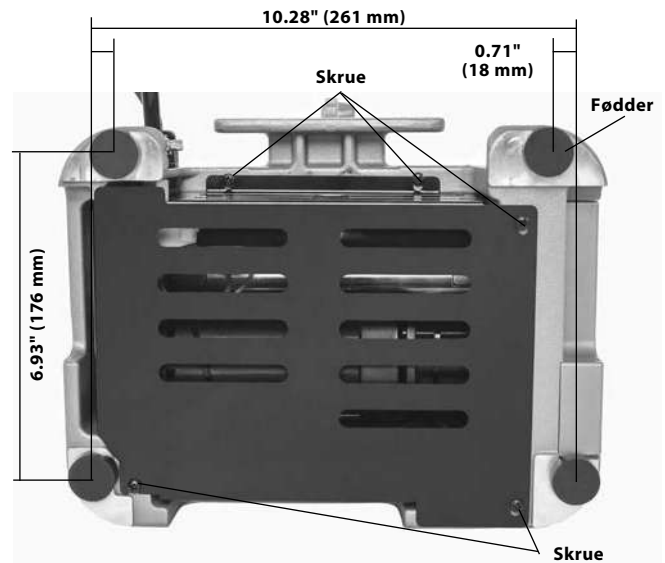
Rørskæreren er udstyret med overstrømsbeskyttelse, som slår maskinen fra for at beskytte motoren ved et for stort strømtræk.

Slip fodkontakten, hvis maskinen standser uventet. Sæt kontakten i stillingen O-OFF og træk maskinens stik ud af stikkontakten. Fjern rør fra maskinen. Følg anvisningerne i afsnittene "Eftersyn før brug" og "Klargøring af maskine og arbejdsområde" for at få bekræftet, at maskinen fungerer korrekt.

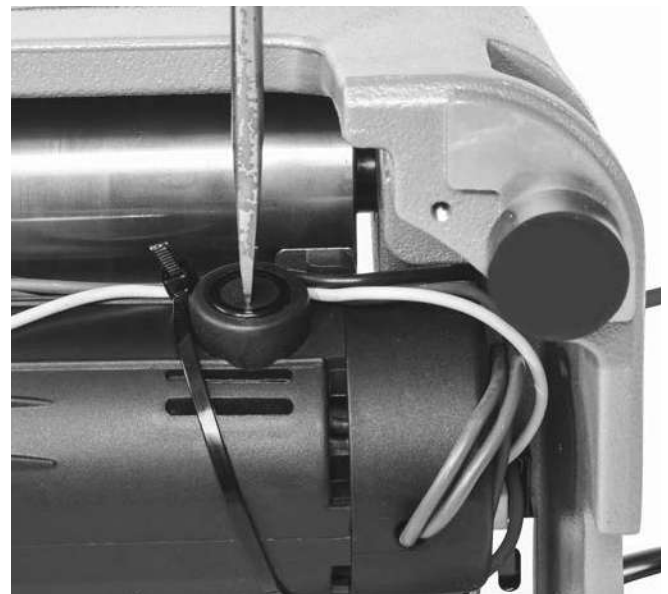
Udskiftning af motorbørster

Kontrollér motorbørsterne hver 6. måned og udskift dem, hvis længden er under 5 mm (0.2").

1. Kontrollér, at kontakten står i stillingen O-OFF og at maskinens stik er taget ud af stikkontakten.
2. Løsn de fem skruer, der holder bunddækslet (figur 16), og fjern dækslet (nogle skruer sidder fast på dækslet).
3. Brug en skruetrækker til at løsne og fjerne børstedækslerne (figur 17). Fjern kulbørsterne forsigtigt og kontrollér længden (figur 18). Udskift børsterne, hvis børstelængden er under 5 mm (0.2").
4. Før børsten ind i børsteholderen og tilpas børsteflignene i forhold til åbningerne i børsteholderen.
5. Spænd børstedækslerne, så de sidder ordentligt fast. Monter bunddækslet igen.
6. Når maskinen er samlet igen, så lad den køre i indstillingen II-Høj hastighed i fem minutter uden rør i maskinen, så børsterne tilkøres.



Figur 16 – Skrue til bunddæksel



Figur 17 – Fjernelse af børstedæksel



Figur 18 – Kontrol af børstelængde

Scan QR-koden nedenfor for at få adgang til litteraturen og en videofilm om PC116/PTC-400.



Fejlfinding

PROBLEM	MULIGE ÅRSAGER	LØSNING
Overdreven vibration under drift.	Forkert driftshastighed.	<i>Se Valg/ændring af driftshastighed.</i>
	Skæring af bøjet rør.	Skær ikke i synligt bøjet rør. Brug en holdholdt rørskærer.
	Et langt rør er ikke understøttet korrekt.	Understøt et langt rør med rørstandere.
	Maskinen er ikke monteret korrekt.	Monter maskinen korrekt på et fladt underlag, og fastgør den med monteringsboltene.
Maskinen skærer ikke rørene ordentligt.	Slidt skærehjul.	Udskift det slidte skærehjul.
	Anvendelse på forkert rørstørrelse eller -materiale.	Anvend værktøjet på den korrekte rørtype (se <i>Specifikationer</i>).
Maskinen går i stå under skærearbejdet.	Aggressiv fremføring af skærehjulet under skærearbejdet.	Før skærehjulet frem med forsigtighed.
Maskinen fungerer ikke.	Motorens børster er slidte.	Monter nye motorbørster.
	Overstrømsbeskyttelsen er aktiveret.	<i>Følg anvisningerne i relation til motoroverstrøm i vedligeholdelsesafsnittet.</i>
Voldsom dannelse af rørgrater eller end deformation.	Slidt eller beskadiget skærehjul.	Udskift skærehjulet.
	Aggressiv fremføring af skærehjulet under skærearbejdet.	Før skærehjulet frem med forsigtighed.
Maskinen standser, mens fodkontakten er trykket ned. Den starter igen, når fodkontakten trykkes ned igen.	Hul i fodkontakt/slange.	Udskift fodkontakten.
	Luftkontakten er utæt.	Hvis der ikke noget i vejen med fodkontakten/slangen, så udskift luftkontakten.

Service og reparation**⚠ ADVARSEL**

Ukorrekt service eller reparation kan bevirke, at værktøjet bliver farligt at bruge.

I afsnittet *Vedligeholdelsesvejledning* findes der oplysninger om de fleste af denne maskines servicebehov. Problemer, der ikke behandles i dette afsnit, bør udelukkende håndteres af et uafhængigt RIDGID-servicecenter. Anvend udelukkende RIDGID-reservedele.

Der henvises til afsnittet *Kontaktoplysninger* i denne vejledning for oplysninger om det nærmeste uafhængige RIDGID-servicecenter eller hvis du har spørgsmål angående service eller reparation.

Ekstraudstyr**⚠ ADVARSEL**

For at nedsætte risikoen for alvorlig personskade må der kun anvendes tilbehør, der er specielt konstrueret og anbefalet til brug sammen med den elektriske rørskærer PC116/PTC-400 fra RIDGID, som anført.

Katalognr.	Beskrivelse
64903	PC116TS rørstander til anvendelse sammen med PC116/PTC-400
66253	PC116 220-240 V motorkulbørste
66248	PC116 100-120 V motorkulbørste
56662	VJ-99 28"-52" høj rørstander, V-hoved
64908	137S fræser til PC116/PTC-400
66938	E850 skærehjul (til metalrør)
66943	E855 skærehjul (til plastrør)
64898	Skærehjulsleje

Der henvises til Ridge Tool-kataloget, der findes online på RIDGID.com, eller afsnittet *"Kontaktoplysninger"* for en komplet liste over RIDGID-udstyr til dette værktøj.

Bortskaffelse

Dele af disse værktøjer indeholder værdifulde materialer, der kan genbruges. I lokalområdet findes der evt. virksomheder, som specialiserer sig i genbrug. Bortskaf komponenter i overensstemmelse med alle gældende regler. Kontakt det lokale renovationsvæsen for yderligere oplysninger.



EU-lande: Elektrisk udstyr må ikke bortskaffes sammen med husholdningsaffald!

I henhold til det europæiske direktiv 2012/19/EU om affald fra elektrisk og elektronisk udstyr og dets implementering i national lovgivning skal udtjent elektrisk udstyr indsamles særskilt og bortskaffes på en miljømæssig korrekt måde.

Rørkutter

PC116/PTC-400 Elektrisk rørkutter



⚠ ADVARSEL!

Les bruksanvisningen før du tar i bruk verktøyet. Hvis innholdet i bruksanvisningen ikke overholdes, kan det resultere i elektrisk støt, brann og/eller alvorlig personskade.

PC116/PTC-400 Elektrisk rørkutter

Skriv ned serienummeret nedenfor, og ta vare på produktets serienummer som du finner på navneskiltet.

Serienr.

Innholdsfortegnelse

Registreringsskjema for maskinens serienummer	147
Sikkerhetssymboler	149
Generelle sikkerhetsadvarsler for el-verktøy	149
Sikkerhet på stedet hvor arbeidet utføres	149
Elektrisk sikkerhet	149
Personlig sikkerhet	150
Bruk og håndtering av elektrisk drevet verktøy	150
Vedlikehold	150
Spesifikk sikkerhetsinformasjon	150
RIDGID kontaktinformasjon	151
Beskrivelse	151
Spesifikasjoner	152
Standardutstyr	152
Montering	152
Benkmontering	152
Inspeksjon før drift	153
Oppsett av maskin og arbeidsområde	153
PC116TS Stativ/Justering	154
Bruksanvisning	155
Justering av kutteren for forskjellige rørstørrelser	155
Velge/endre driftshastighet	156
Kutte rør	156
Avgrading av rør	157
Transport	157
Oppbevaring	158
Instruksjoner for vedlikehold	158
Rengjøring	158
Smøring	158
Bytte kappeskive	158
Overstrømbeskyttelse i motor	158
Bytte motorbørster	159
Feilsøking	160
Vedlikehold og reparasjon	160
Tilleggsutstyr	160
Avfallshåndtering	161
EU samsvarserklæring	På innsiden av bakre omslag
Livstidsgaranti	Bakside

* Oversettelse av den originale bruksanvisningen

Sikkerhetssymboler

I denne bruksanvisningen og på produktet formidles viktig sikkerhetsinformasjon gjennom symboler og signalford. Denne delen er utarbeidet for å bedre forståelsen av disse signalfordene og symbolene.



Dette symbolet indikerer en sikkerhetsadvarsel. Det brukes for å advare om potensiell fare for personskade. Følg alle sikkerhetsadvarslar med dette symbolet for å unngå personskade eller dødsfall.

FARE FARE indikerer en farlig situasjon som vil føre til dødsfall eller alvorlig personskade dersom den ikke unngås.

ADVARSEL ADVARSEL indikerer en farlig situasjon som kan føre til dødsfall eller alvorlig personskade dersom den ikke unngås.

FORSIKTIG FORSIKTIG indikerer en farlig situasjon som kan føre til en mindre eller moderat personskade dersom den ikke unngås.

MERK MERK indikerer informasjon om mulig skade på eiendom.



Dette symbolet betyr at du bør lese bruksanvisningen grundig før du tar utstyret i bruk. Bruksanvisningen inneholder viktig informasjon om trygg og riktig bruk av utstyret.



Dette symbolet betyr at man alltid må bruke briller med bred innfatning eller vernebriller ved bruk av utstyret for å redusere risikoen for øyeskade.



Dette symbolet betyr risiko for elektrisk støt.



Dette symbolet peker på faren for at hender, fingre eller andre kroppsdeler kan bli fanget av eller viklet inn i rullene eller andre bevegelige deler.



Dette symbolet indikerer risiko for at hender, fingre eller andre kroppsdeler kan bli skåret av roterende og bevegelige deler.



Dette symbolet betyr risiko for at maskinen kan velte og forårsake slag- eller klemskader.



Dette symbolet betyr at du ikke må ha på hansker ved bruk av denne maskinen, dette for å unngå å bli sittende fast.

Generelle sikkerhetsadvarslar for el-verktøy*

ADVARSEL

Les alle sikkerhetsadvarslar, instruksjoner, illustrasjoner og spesifikasjoner som følger med dette el-verktøyet. Unnlattelse av å følge alle instruksjonene som er oppført nedenfor kan føre til elektrisk støt, brann og/eller alvorlig personskade.

TA VARE PÅ ALLE ADVARSLAR OG INSTRUKSJONER FOR FREMTIDIG REFERANSE!

Begrepet "el-verktøy" i advarslene henviser til elektrisk verktøy med strømforsyning fra strømmettet (med strømledning) og batteridrevet elektrisk verktøy (uten strømledning).

Sikkerhet på stedet hvor arbeidet utføres

- **Hold arbeidsstedet rent og godt belyst.** Det kan oppstå uhell i rotete eller mørke omgivelser.
- **Ikke bruk elektriske verktøy i eksplosive omgivelser, som for eksempel i nærheten av brennbare væsker, gasser eller støv.** El-verktøy danner gnister som kan antenne støv eller damp.
- **Hold barn og andre personer på avstand mens el-verktøyet brukes.** Hvis du blir distraheret, kan du miste kontrollen.

Elektrisk sikkerhet

- **El-verktøyets støpsler må passe til uttaket. Ikke modifier støpselet på noen måte. Bruk ikke adapterstøpsler med jordede el-verktøy.** Umodifiserte støpsler og passende uttak vil redusere risikoen for elektrisk støt.
- **Unngå kroppskontakt med jordede overflater, for eksempel rør, radiatorer, komfyrer og kjøleskap.** Det er økt fare for elektrisk støt dersom kroppen din er jordet.
- **El-verktøy må ikke utsettes for regn eller fuktighet.** Risikoen for elektrisk støt øker hvis det kommer vann inn i et el-verktøy.
- **Strømledningen må håndteres forsiktig. Bruk ikke strømledningen til å bære eller trekke el-verktøyet, og ikke trekk støpselet ut av uttaket ved å dra i strømledningen. Hold ledningen unna varme, olje, skarpe kanter og bevegelige deler.** Skadede eller sammenfiltrede ledninger øker faren for elektrisk støt.
- **Hvis el-verktøyet brukes utendørs, må det brukes en skjøteledning som er egnet for bruk utendørs.** Bruk av en ledning som er egnet for bruk utendørs, reduserer faren for elektrisk støt.
- **Hvis el-verktøyet må brukes i fuktige omgivelser, må det brukes en strømforsyning med jordfeilbryter.** Dette reduserer risikoen for elektrisk støt.

* Teksten brukt i delen Generelle sikkerhetsadvarslar for el-verktøy i denne bruksanvisningen er ordrett, som påkrevd, fra den gjeldende standarden UL/CSA/EN 62841-1. Denne delen inneholder generell sikkerhetspraksis for mange ulike typer el-verktøy. Ikke alle forholdsregler gjelder for hvert verktøy, og noen gjelder ikke for dette verktøyet.

Personlig sikkerhet

- **Vær årvåken og oppmerksom på det du gjør, og bruk sunn fornuft når du bruker el-verktøy. Bruk ikke el-verktøy hvis du er trett eller påvirket av narkotika, alkohol eller medisiner.** Et øyeblikks uoppmerksomhet når du bruker el-verktøy kan føre til alvorlig personskade.
- **Bruk personlig verneutstyr. Bruk alltid øyebeskyttelse/vernebriller.** Bruk av verneutstyr når det trengs, som støvmaske, vernesko med antisklisåle, hjelm og hørselsvern, reduserer risikoen for personskader.
- **Forhindre utilsiktet start av utstyret. Sørg for at bryteren står i stillingen OFF før du kobler verktøyet til en strømkilde og/eller batteripakke, plukker det opp eller bærer det.** Hvis du bærer el-verktøy med fingeren på bryteren eller batteridrevne el-verktøy med bryteren ON, ber du om ulykker.
- **Fjern alle justeringsnøkler eller skiftenøkler før du slår el-verktøyet på (ON).** En skiftenøkkel eller justeringsnøkkel som er festet til den roterende delen av el-verktøyet kan føre til personskade.
- **Ikke strekk deg for langt. Sørg for å ha sikkert fotfeste og god balanse hele tiden.** Dette gir bedre kontroll over el-verktøyet i uforutsette situasjoner.
- **Sørg for å være riktig kledd. Unngå løstsittende klær eller smykker. Hold hår og klær unna bevegelige deler.** Løse klær, smykker eller langt hår kan sette seg fast i bevegelige deler.
- **Hvis det er mulighet for tilkobling av enheter for støvuttrekking og støvoppsamling, må slike enheter kobles til og brukes riktig.** Bruk av støvoppsamlere kan redusere risiko forbundet med støv.
- **Ikke la erfaringer fra hyppig bruk av verktøy gjøre deg uvøren og overse sikkerhetsprinsippene for verktøy.** En uforsiktig handling kan forårsake alvorlig personskade på en brøkdell av et sekund.

Bruk og håndtering av elektrisk drevet verktøy

- **Ikke bruk makt på el-verktøyet. Bruk riktig el-verktøy til anvendelsen.** Bruk av riktig el-verktøy sikrer at jobben utføres bedre, sikrere og i samsvar med utstyrets tiltenkte bruksområde.
- **Ikke bruk el-verktøyet dersom PÅ/AV-knappen (ON/OFF) ikke virker.** El-verktøy som ikke kan kontrolleres med bryteren, er farlig, og må repareres.

Trekk ut støpselet fra kontakten og/eller koble batteripakken fra el-verktøyet hvis dette kan tas av, før du foretar noen justeringer, bytter tilbehør eller plasserer el-verktøyet for oppbevaring. Slike forebyggende sikker-

hetstiltak reduserer risikoen for at el-verktøyet kan startes opp ved et uhell.

- **Oppbevar el-verktøy som ikke er i bruk utenfor barns rekkevidde og der det er utilgjengelig for andre som ikke er fortrolige med el-verktøyet eller disse instruksjonene for bruk av el-verktøyet.** El-verktøy er farlige i hendene på brukere som ikke har fått opplæring.
- **Vedlikehold av el-verktøy. Kontroller at det ikke er feiljusteringer eller kiling i bevegelige deler, og at det ikke er brudd på deler eller andre forhold som kan påvirke driften av el-verktøyet.** Hvis el-verktøyet er skadet, må det repareres før bruk. Mange ulykker skyldes dårlig vedlikeholdte el-verktøy.
- **Kutteverktøy må holdes skarpe og rene.** Riktig vedlikeholdte kutteverktøy med skarpe kuttekanter vil redusere risikoen for kiling, og de er lettere å kontrollere.
- **Bruk el-verktøy, tilbehør og verktøybits osv. i samsvar med disse instruksjonene, og ta hensyn til forholdene på arbeidsstedet og arbeidet som skal utføres.** Bruk av el-verktøyet til andre formål enn de er ment for kan føre til en farlig situasjon.
- **Hold håndtak og gripeflater tørre, rene og fri for olje og fett.** Glatte håndtak og gripeflater gir ikke sikker håndtering og kontroll over verktøyet i uventede situasjoner.

Vedlikehold

- **El-verktøyet skal vedlikeholdes av en kvalifisert reparatør, og det skal bare brukes identiske reservedeler.** Dette vil sikre at el-verktøyet sikkerhet opprettholdes.

Spesifikk sikkerhetsinformasjon

▲ ADVARSEL

Denne delen inneholder viktig sikkerhetsinformasjon som gjelder spesifikt for dette verktøyet.

Les disse forholdsreglene nøye før du bruker PC116/PTC-400 Elektrisk rørkutter for å redusere risikoen for elektrisk støt eller andre alvorlige skader.

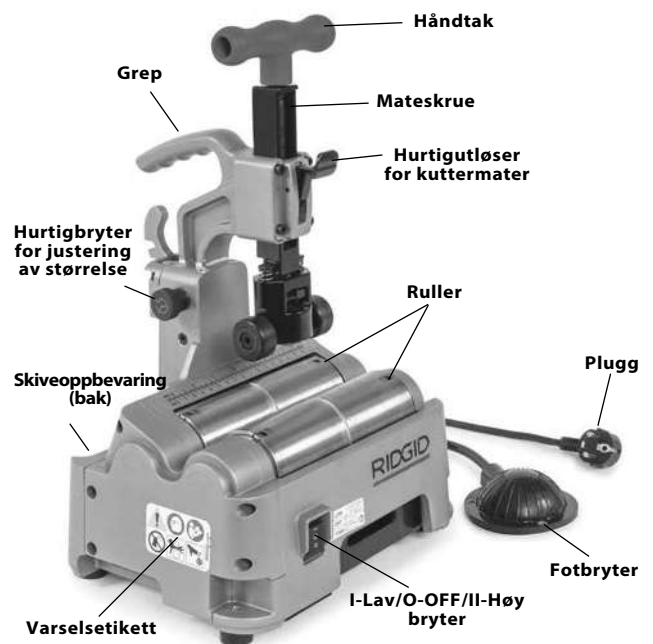
TA VARE PÅ ALLE ADVARSLER OG INSTRUKSJONER FOR FREMTIDIG REFERANSE!

Oppbevar denne bruksanvisningen sammen med maskinen for bruk av operatøren.

- **Ikke bruk hansker eller løse klesplagg ved bruk av elektrisk rørkutter. Knepp igjen ermer og jakke.** Ikke len deg over maskinen. Klær kan komme borti maskinen, noe som kan resultere i at de vikler seg fast.
- **Hold hendene borte fra roterende deler som rulle, avgrader, kappeskive og rør. La delene stoppe fullsten-**

dig før verktøyet eller røret håndteres. Denne praksisen vil redusere faren for innvikling i roterende deler.

- **Sikre maskinen til en stabil benk eller et stativ. Støtt rørene opp på korrekt måte.** Dette reduserer faren for slag og klemskader ved velting og fallende rør og utstyr.
- **Ikke kutt synlig bøyde rør eller rør med koblinger.** Reduserer faren for overdreven vibrasjon og tap av kontroll over maskin og/eller rør.
- **Bruk alltid passende øyebeskyttelse og passende personlig verneutstyr.** Kutteverktøy kan brette og spres. Dette vil redusere risikoen for skader.
- **Én person må kontrollere arbeidet og fotbryteren.** Kun operatøren må være i arbeidsområdet når maskinen er i gang. Det bidrar til å redusere risikoen for personskader.
- **Les for å forstå disse instruksjonene samt instruksjonene og advarslene for alt utstyr og materialene som benyttes før dette verktøyet tas i bruk, for å redusere faren for alvorlige personskader.**



RIDGID kontaktinformasjon

Hvis du har spørsmål vedrørende dette RIDGID®-produktet:

- Kontakt din lokale RIDGID®-forhandler.
- Gå til RIDGID.com for å finne din lokale RIDGID-kontakt.
- Kontakt Ridge Tools tekniske serviceavdeling på rtctechservices@emerson.com, eller ring (800) 519-3456 i USA og Canada.

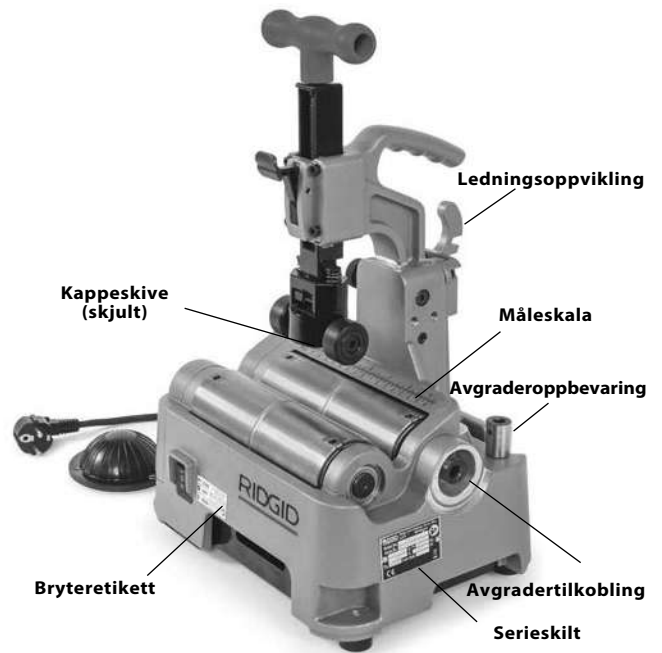
Beskrivelse

RIDGID® PC116/PTC-400 Elektrisk rørkutter er utformet for å kutte ½" til 4" nominell størrelse (12 til 100 mm) metall- og plastrør/kabelrør.

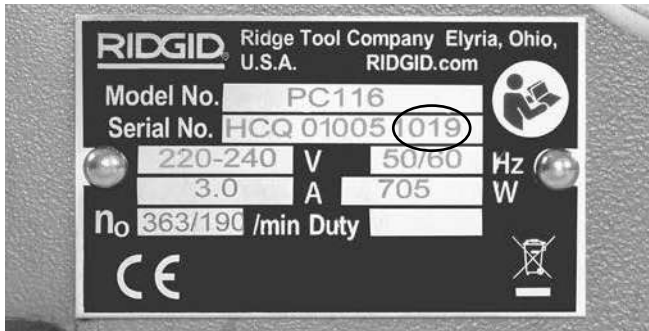
En tottrinns bryter styrer rullehastigheten og en pneumatisk fotbryter gir ON/OFF-styring (PÅ/AV) for motoren. En skala er inkludert for rørmålinger. Den elektriske rørkutteren har lav vekt og er kompakt for enkel transport.

En avgrader er tilgjengelig som ekstrautstyr for å fjerne grader fra innsiden av rør opp til 2" (50 mm).

Rørkutteren er ikke utformet for bruk med rør.



Figur 1 – RIDGID® PC116/PTC-400 Elektrisk rørkutter


Figur 2 – Maskinens serienummer

Maskinens serienummer befinner seg på siden av kutteren. De siste 4 tallene angir produksjonsmåned og -år. (10 = måned, 19 = år).

Spesifikasjoner

Nominell rørstørrelse

Kuttekapasitet..... ½" til 4" (12 mm til 100 mm)

Aktuell kuttekapasitet..... ½" til 4.5" (12 mm til 116 mm)

Materiale i rør/ kabelrør*	Maksimal veggtykkelse	Kappeskive	
		E-850 Kat. #66938	E-855 Kat. #66943
Karbonstål	0.1" (2,5 mm)	X	
Rustfritt stål	0.1" (2,5 mm)	X	
Aluminium	0.1" (2,5 mm)	X	
Kobber	0.1" (2,5 mm)		X
Plast	0.23" (6 mm)		X

* Kun generelle retningslinjer. Materialets sammensetning, hardhet og andre faktorer påvirker muligheten til å kutte, skivens levetid, dannelse av grader osv.

Nominell avgradings
kapasitet..... ½" til 2" (12 mm til 50 mm)
(ekstraustyr-tilbehør)

Maks. rørlengde..... 20' (6 m)

Motor

Type.....	Universal	
Spenning.....	100-120 V	220-240 V
Strøm.....	5,8 A	3,0 A
Frekvens.....	50/60 Hz	50/60 Hz
Effekt.....	705 W	705 W

Se produktets serieskilt for informasjon spesielt for enheten.

Rotasjonshastighet ruller..... 190/363 OPM for 220-240 V,
225/385 OPM for 100-120 V

Kontroller..... I-LOW/O-OFF/II-HIGH bryter
og PÅ/AV fotbryter

Vekt..... 32 lb (14,5 kg)

Total dimensjon

L x B x H..... 11.6" x 9.4" x 15.9"
(295 mm x 239 mm x 403 mm)

Driftstemperatur..... -4 °F til 122 °F (-20 °C til 50 °C)

Lydtrykk (L_{PA})* 82,3 dB(A), K=3

Lydeffekt (L_{WA})* 93,3 dB(A), K=3

* Lyd blir målt i henhold til en standardisert test iht. standarden EN 62481-1.

- Lydemisjoner kan variere ut fra sted og spesifikk bruk av disse verktøyene.

- Daglige eksponeringsnivåer for lyd må evalueres for hver bruk, og egnede sikkerhetstiltak må iverksettes om nødvendig. Evaluering av eksponeringsnivåer må ta tiden et verktøy er slått AV og ikke i bruk, med i beregningene. Dette kan redusere eksponeringsnivået betraktelig i løpet av den totale arbeidsperioden.

Standardutstyr

Se RIDGID-katalogen for detaljer om utstyr med spesifikke maskinkatalognummer.

MERK Valg av egnede materialer og installasjons-, skjøte- og utformingsmetoder er systemdesigneren og/eller installatørens ansvar. Valg av upassende materiale og metoder kan føre til systemfeil.

Rustfritt stål og andre korrosjonsbestandige materialer kan bli kontaminert under installasjon, skjøting og utforming. Denne kontaminasjonen kan føre til korrosjon og for tidlig svikt. En grundig vurdering av materialer og metoder for ulike driftsforhold, inkludert kjemiske og temperaturforhold, bør gjøres før installering.

For å redusere faren for jernforurensing i rustfritt stål må det påses at rullene er rene og fri for forurensinger. Rengjør grundig med en rustfri stålborste. Skift kappeskive og avgrader før bruk med rustfrie stålmateriale. Det beste er å sette av en skive for rustfritt stål.

Montering

⚠ ADVARSEL

Følg disse fremgangsmåtene for korrekt montering slik at du reduserer risikoen for alvorlig skade under bruk. Bryteren må være av (OFF) og maskinen må være koblet fra strømmen før montering.

Benkmontering

Maskinen kan monteres på en jevn og stødig benk. For å montere enheten på en benk skrus gummiføttene av i de fire hjørnene på maskinens bunnplate (se figur 16) og bruk M8-bolter for holde maskinen fast på benken. Trekk godt til.

Inspeksjon før drift

⚠ ADVARSEL



Inspiser din elektriske rørkutter før hver bruk og rett opp eventuelle problemer for å redusere risikoen for alvorlige personskader fra elektrisk støt, innvikling, klemskader og andre årsaker og forhindre skade på maskinen.

kling, klemskader og andre årsaker og forhindre skade på maskinen.

1. Sørg for at den elektriske rørkutteren er koblet fra strømmen.
 2. Rengjør maskinen og utstyret, inkludert håndtak og styring. Dette gjør inspeksjonen lettere og bidrar til å hindre at du mister taket på maskinen eller betjeningselementet. Rengjør og vedlikehold maskinen i henhold til vedlikeholdsanvisningene.
 3. Inspiser den elektriske rørkutteren for:
 - Inspiser ledningen og støpselet for skade eller modifiseringer.
 - Riktig montering og vedlikehold og at den er komplett.
 - Alle ødelagte, slitte, manglende, skjeve eller fastsittende deler eller andre skader.
 - Fotbryteren er til stede og fungerer. Bekreft at fotbryteren sitter på plass, er i god stand, at den fungerer jevnt og ikke setter seg fast.
 - Fri bevegelse i mateskrue, kappeskive og støtteruller.
 - At varselmerkene og andreskilt sitter på plass og at disse er lesbare (se figur 1).
 - Inspiser kuttekanter på kappeskiven og avgraderen for slitasje, misforming, fliser eller andre problemer. Sløve, skadde eller løse kappeskiver kan skade verktøyet, levere dårlig kvalitet i kuttet eller øke faren for skader.
 - Ved bruk av PC116TS stativ(er), rengjøres, inspiseres og smøres etter behov.
 - Alle forhold som kan forhindre trygg og normal drift.
- Hvis det oppdages noen problemer, må ikke verktøyet brukes før problemene har blitt reparert.
4. Undersøk og vedlikehold alt annet utstyr som brukes i henhold til instruksjonene for å sikre at alt fungerer som det skal.

Oppsett av maskin og arbeidsområde

⚠ ADVARSEL



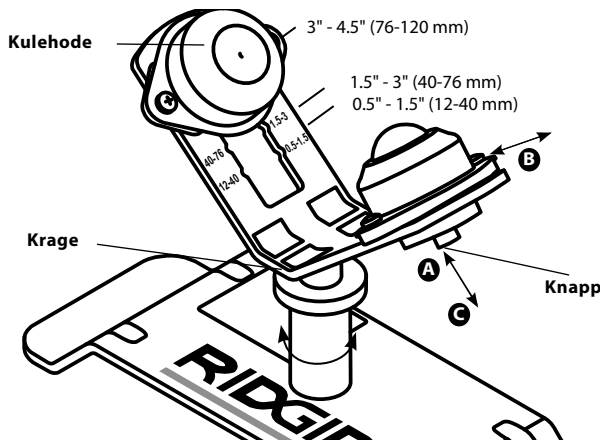
Sett opp den elektriske rørkutteren og arbeidsområdet i henhold til disse prosedyrene for å

redusere faren for alvorlige skader ved elektrisk støt, innvikling, klemskader og andre årsaker og hindre maskinskader.

1. Sjekk arbeidsområdet for:
 - Tilstrekkelig lys.
 - Brennbare væsker, damper eller støv som kan antennes. Om dette er til stede, må du ikke bruke stedet før kildene er identifisert og problemet løst. Kutteren er ikke eksplosjonssikker og kan forårsake gnister.
 - Ryddige, jevne, stabile og tørre områder for alt utstyr og for operatør.
 - Ordentlig jordet stikkontakt med riktig spenning. Sjekk maskinens typeskilt for nødvendig spenning. En trepinnet eller GFCI-stikkontakt er kanskje ikke ordentlig jordet. Be en autorisert elektriker om å undersøke stikkontakten hvis du er i tvil.
2. Inspiser arbeidet som skal utføres. Fastslå materiale, type og størrelse på røret. Avgjør hva som er korrekt utstyr for jobben. Se avsnittet *Spesifikasjoner*.
3. Bekreft at alt utstyr som skal brukes, har blitt riktig inspisert og montert.
4. Plasser maskinen på et flatt, jevnt, stabilt underlag. Se "Benkmontering" i avsnittet *Montering*. Bekreft at enheten er stabil og sikker.
5. Hvis røret stikker mer enn 6" (15 cm) ut fra maskinen, brukes et eller flere stativ for å støtte røret. Plasser stativet på linje med rullene. Lengre rør trenger kanskje mer enn ett stativ. Bruk kun stativ som er designet til dette formålet. Feil støtte eller støtting av røret for hånd kan forårsake velt eller innviklingskader. Ikke overskrid stativets kapasitet. Hvis kutteren og stativet er i samme plan, brukes RIDGID PC116TS Rørstativ for å støtte røret. Ved arbeid på en benk eller annet hevet arbeidsområde kan RIDGID Rørstativ brukes for å støtte røret. Ved bruk av PC116/PTC-400 på bakken brukes RIDGID PC116TS Rørstativ for å støtte røret. Se figur 3.



Figur 3 – Plassering av stativ



Figur 4 – PC116TS Stativjustering

PC116TS Stativ/Justering

PC116TS Stativet er et ekstrautstyr-tilbehør som er utformet for bruk med PC116/PTC-400 Kutter og er ikke beregnet for annen bruk.

For å justere kulehoder for rørstørrelse:

- Trykk inn knappen **A**
- Skv kulehodet til korrekt posisjon for rørstørrelse (se figur 4) **B**
- Slipp knappen – bekreft at det er sikkert plassert **C**

For å justere stativhøyde vris kragen for å heve eller senke stativhodet. Stativet er utformet for å bli plassert på samme flate underlag som PC116/PTC-400 Kutter. Se figur 3. Ved behov kan passende avstandsstykker (som f.eks. en trekloss) brukes for å heve stativet.

- Begrens tilgangen eller sett opp hindringer eller gjerder for å opprette en min. 3 fot (1 m) klaring rundt maskinen og røret. Dette gjør at uvedkommende ikke får kontakt med maskinen eller røret og reduserer risikoen for velt eller innvikling.
- Posisjoner fotbryteren som vist på figur 8 for å gi riktig arbeidsstilling.
- Med bryteren i O-OFF-posisjonen (AV) legges ledningen på en fri vei. Stikk strømstøpselet inn i et korrekt jordet uttak med tørre hender. Sørg for å holde alle elektriske tilkoblinger tørre og over bakken. Hvis strømledningen ikke er lang nok, må du bruke en skjøteledning som:
 - er i god stand.
 - Har kontakt med tre plugger som på den elektriske rørkutteren.
 - Den er beregnet for utendørs bruk.
 - Har tilstrekkelig ledningstykkelse. For skjøteledninger med lengde opptil 50 fot (15,2 m) brukes 14 AWG (2,5 mm²) eller kraftigere. For skjøteledninger med lengde på 50-100 fot (15,2 m - 30,5 m) brukes 12 AWG (2,5 mm²) eller kraftigere.
- Kontroller den elektriske rørkutteren for korrekt drift. Med hendene frie:
 - Skv hastighetsbryteren til hastighetsposisjonen I-LOW (LAV). Trykk inn og slipp fotbryteren. Rullene skal rotere som vist med pilene i Figur 5. Hvis maskinen ikke roterer i riktig retning, eller fotbryteren ikke styrer driften av maskinen, må ikke maskinen brukes før den har blitt reparert.
 - Trykk inn og hold inne fotbryteren. Undersøk om de bevegelige delene er feiljustert, fastkilt eller om de lager rare lyder, og se etter andre uvanlige forhold. Ta foten bort fra fotbryteren. Hvis det oppdages noen uvanlige forhold, må ikke maskinen brukes før den har blitt reparert.



Figur 5 – Retning for rotasjon av ruller

10. Skyv hastighetsbryteren til stillingen O-OFF (AV) og trekk maskinens støpsel ut av stikkontakten med tørre hender.

Bruksanvisning

⚠ ADVARSEL



Ikke bruk hansker eller løse klesplagg ved bruk av elektrisk rørkutter. Knepp igjen ermer og jakke. Ikke len deg over maskinen. Klær kan komme bort i maskinen, noe som kan resultere i at de vikler seg fast.

Hold hendene borte fra roterende deler som ruller, avgrader, kappeskive og rør. La delene stoppe fullstendig før verktøyet eller røret håndteres. Denne praksisen vil redusere faren for innvikling i roterende deler.

Hold hendene borte fra roterende deler som ruller, avgrader, kappeskive og rør. La delene stoppe fullstendig før verktøyet eller røret håndteres. Denne praksisen vil redusere faren for innvikling i roterende deler.

Støtt rørene opp på korrekt måte. Dette reduserer faren for slag og klemskader ved velting og fallende rør og utstyr.

En person må kontrollere arbeidet og fotbryteren. Kun operatøren må være i arbeidsområdet når maskinen er i gang. Det bidrar til å redusere risikoen for personskader.

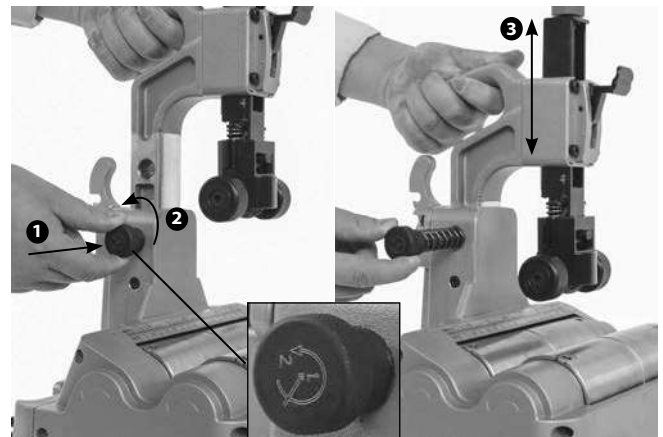
Følg driftsinstruksjonene for å redusere faren for alvorlige skader fra elektrisk støt, innvikling, klemskader og andre årsaker og forhindre skade på maskinen.

Sørg for at maskinen og arbeidsområdet er riktig oppsatt, og at det ikke er tilskuere eller andre forstyrrende elementer på arbeidsområdet. Operatøren må være den eneste personen i området mens maskinen er i drift.

Justering av kutteren for forskjellige rørstørrelser

Hurtigbryter for justering av størrelse

En hurtigbryter for justering av størrelse finnes for rask justering mellom rørstørrelseområdene 2 fot (50 mm) og mindre og 2 til 4 fot (50 mm til 100 mm).



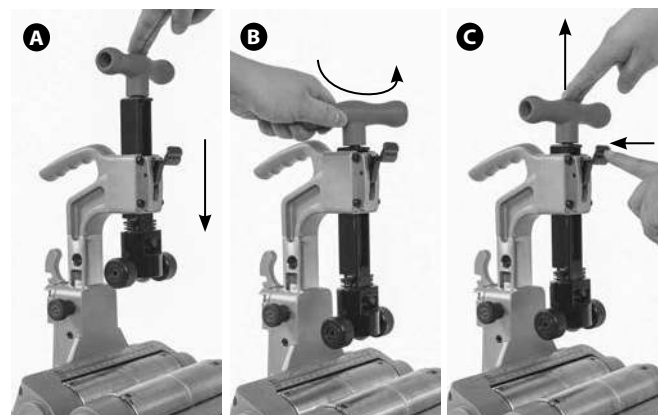
Figur 6 – Hurtigbryter for justering av størrelse

1. Uten rør i kutteren gripes grepet og pinnen frigjøres ved presse knappen litt inn ① og dreie litt mot klokken ②. Knappen er fjærbelastet og vil sprette tilbake, kontroller bevegelsen i knappen. Se figur 6.
2. Bruk grepet og skyv hodet til ønsket posisjon ③.
3. Sett inn knappen på hurtigbryteren for å beholde hodet i posisjon.

Hurtigjustering for kuttermater

Denne hurtigjusteringen for kuttermater brukes for å skyve frem og trekke tilbake kappeskiven under kuttingen.

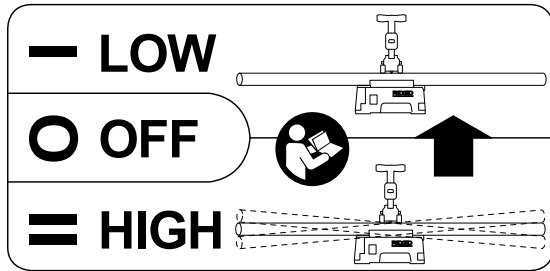
1. For å skyve kappeskiven frem skyves håndtaket ned (Figur 7A) inntil det når røret.
2. For å trekke tilbake kappeskiven løsnes håndtaket/mateskruen 1-2 omdreining (Figur 7B) og utløseren trykkes (Figur 7C) for å la den gli tilbake (den er fjærbelastet – kontroller bevegelsen i håndtaket).



Figur 7 – Hurtigmater: A-Skyv frem, B-Løsne, C-Trekk tilbake

Velge/endre driftshastighet

Den elektriske rørkutteren har to driftshastigheter – LAV og HØY, se figur 8.



Figur 8 – Hastighetsetikett

LAV hastighet (I-Lav bryterinnstilling). Den reduserer faren for rørvibrasjon og svingninger under bruk.

Anbefalt for rør med 2" (50 mm) diameter og mindre, og større enn 6.5 fot (2 m).

HØY hastighet (II-Høy bryterinnstilling). Dette reduserer kuttetiden.

For rør med diameter større enn 2" (50 mm) av alle lengder

For alle rør som er kortere enn 6.5 fot (2 m)

Rørvibrasjon og svingninger avhenger av mange faktorer, som f.eks. rørlengde, størrelse, vekt, retthet, tilpasning av stativ, rullehastighet osv. Hvis du noen gang føler at røret vibrerer eller svinger for mye, slippes fotbryteren. Hvis den står i II-Høy hastighet, endres til I-Lav hastighet, forsøk på nytt. Hvis den står i I-Lav hastighet, endres til annen kuttemetode for dette stykket, som f.eks. en håndkutter.

For å endre hastigheter slippes fotbryteren og la kutteren stoppe fullstendig. Skyv bryteren til ønsket posisjon. Driftshastigheten må ikke endres mens maskinen går.

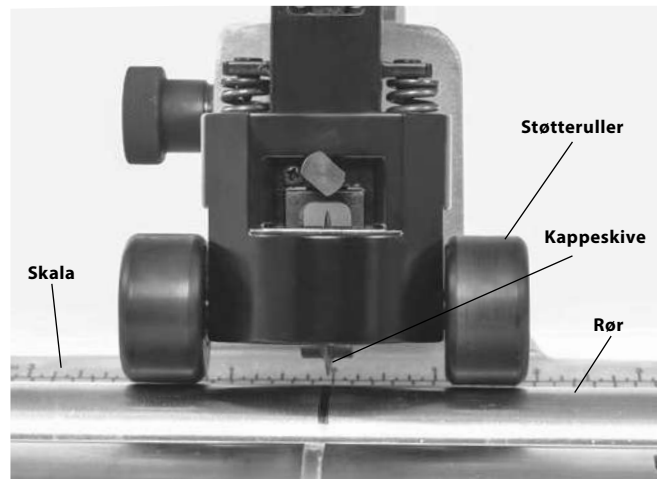
Kutte rør

1. Kontroller at røret ikke er synlig bøyd og at det ikke finnes noen koblinger. Kutting av bøyde rør eller rør med koblinger kan medføre overdreven vibrasjon eller tap av kontroll. Bruk en håndkutter ved behov. Merk røret i ønsket lengde. For å forenkle finnes det en måleskala på maskinen.
2. Ved behov justeres størrelseområdet på den elektriske rørkutteren med hurtigbryteren for justering av størrelse.
3. Plasser røret på rullene slik at kuttemerket er plassert under kappeskiven, på nullmerket på skalaen. Hvis røret stikker utenfor maskinen, plasseres støtter under røret. Støtter skal justeres slik at røret er plassert på tvers av rullene. Dette bidrar til å sikre korrekt plassering av kuttet. Se figur 3.

4. Innta riktig arbeidsstilling for å ha kontroll på maskinen og røret (se figur 10):

- Sørg for at du har god tilgang til verktøyet og bryteren.
- Sørg for at du kan kontrollere fotbryteren. Ikke trå på fotbryteren enda. Du må kunne slippe fotbryteren hvis det skulle oppstå en nødsituasjon.
- Sørg for at du har god balanse og ikke trenger å strekke deg for langt.

5. Skyv frem hurtigmatersystemet inntil støtterullene får kontakt med røret (Figur 9). Juster kuttehjulet på linje med merket på røret. Stram mateskruen for å bringe kappeskiven i kontakt med røret. Etter at kappeskiven får kontakt med røret, føres mateskruen ytterligere 1 til 1½ omdreininger for å gripe røret. Ikke før mateskruen for mye frem, dette kan gjøre røret ovalt og øke dannelsen av grader.



Figur 9 – Støtteruller kontakter røret

6. Skyv I-Lav/O-OFF/II-Høy bryteren til passende posisjon for røret som skal kuttes
7. Trykk inn fotbryteren. Rullene og røret vil begynne å rotere. Hold hendene borte fra roterende deler.



Figur 10 – Kutting av rør

8. Før mateskruen frem ved å stramme mateskruen kontinuerlig inntil røret kuttes. Aggressiv kutting kan skade kappeskiven og forårsake overdrevne grader. Hold støtterullene i kontakt med røret for å bidra til å holde røret på plass.

Hvis røret beveger seg i spiral, stoppes kuttingen og maskinens oppsett kontrolleres, spesielt tilpasningen av rørstativene. Forskjellige rørmaterialer kan trenge litt ekstra stramming av mateskruen for å bedre sporingen.

9. Ta foten bort fra fotbryteren. Skyv deretter I-Lav/O-OFF/II-Høy bryteren til O-OFF-posisjonen.

10. Når røret slutter å rotere, løsnes mateskruen 1-2 omdreining og utløseren trykkes for å trekke kappeskiven helt tilbake. Fjern røret.

Avgrading av rør



Figur 11 – Montering av avgrader

1. Plasser I-Lav/O-OFF/II-Høy bryteren i O-OFF-posisjonen.

2. Fjern avgraderen fra lagringsposisjonen og monter i bruksposisjonen som vist i *Figur 11*. Bekreft at avgraderen er sikkert montert.
3. Skyv I-Lav/O-OFF/II-Høy bryteren til I-Lav-posisjonen.
4. Trykk inn fotbryteren. Hold hendene borte fra rørendene og roterende deler.
5. Grip godt fast i røret. Støtt røret korrekt for å bidra til å holde kontroll.
6. Plasser røret over avgraderkjeglen og trykk forsiktig (*Figur 12*) for å fjerne grader fra innsiden av rørenden. Ikke tving røret inn mot avgraderen, dette kan føre til at avgraderen griper tak i røret og dreier det i hendene dine.



Figur 12 – Fjerning av grader i rør

7. Ta foten bort fra fotbryteren.
8. Plasser I-Lav/O-OFF/II-Høy bryteren i O-OFF-posisjonen.
9. Fjern avgraderen fra bruksposisjonen og legg den i lagringsposisjonen.

Transport

1. Fjern eller fest alt løst utstyr og materiale fra maskinen før det flyttes, for å forhindre fall eller velting.
2. Plasser kappeskiven i ned-posisjonen.
3. Legg den elektriske ledningen og fotbryterslangen rundt ledningskroken og sikre som vist i *Figur 13*.
4. Løft med håndtak. Vær forsiktig ved løfting og flytting.

Vær obs på maskinvekten.



Figur 13 – Ledning/slange kveilet

Oppbevaring

⚠ ADVARSEL Den elektriske rørkutteren må holdes tørr og innendørs eller godt tildekket hvis den brukes utendørs. Oppbevar maskinen på et låst område som er utenfor rekkevidde for barn og andre som ikke er kjent med den elektriske rørkutteren. Denne maskinen kan forårsake alvorlig personskade i hendene på brukere som ikke har fått opplæring.

Instruksjoner for vedlikehold

⚠ ADVARSEL

Sørg for at bryteren er i stillingen O-OFF og maskinen er koblet fra strømmen før du utfører noe vedlikehold eller gjør noen justeringer.

Vedlikehold kutteren i henhold til disse prosedyrene for å redusere risikoen for personskader fra elektrisk støt, innvikling eller andre forhold.

Rengjøring

Rengjør maskinen forsiktig etter hver bruk med en ren, tørr klut. Hold rullene rene og fri for smuss og forurensinger.

Hold avgraderen ren og fri for fliser for maksimal effektivitet. Rengjør eventuelt støv og forurensinger fra motorventilene.

Smøring

På månedlig basis (eller oftere ved behov) smøres alle eksponerte bevegelige deler i elektrisk rørkutter og PC116TS-stativet (som f.eks. mateskrue, hurtigmatersystem, ruller og dreiepunkter) med en lett smøreolje. Tørk overflødig olje fra eksponerte overflater.

Bytte kappeskive

Se *Spesifikasjoner* for korrekt valg av kappeskive. Bytt kappeskiven når det kuttes forskjellige materialer, erstatt kappeskiven når kutttekanten blir fliset eller flat. Det kan oppbevares en ekstra kappeskive i enheten. Se figur 13.

1. Fjern leddpinnen. Hjulholderen faller ned (Figur 14).



Figur 14 – Fjerne hjulholder

2. Fjern hjulpinnen og kappeskiven/lageret (Figur 15).
3. Inspiser lageret. Lageret skal bevege seg fritt. Skift ved behov.
4. Utfør prosessen i omvendt rekkefølge for å montere kappeskiven.



Figur 15 – Bytte kappeskive

Overstrømbeskyttelse i motor

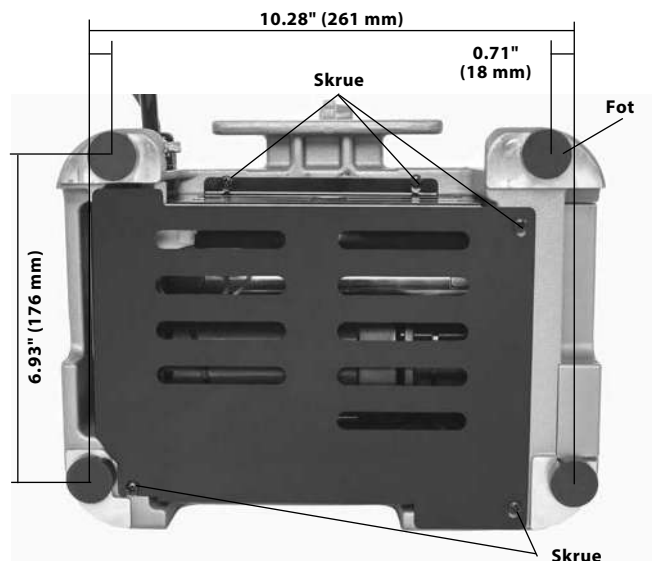
Kutteren er utstyrt med overstrømbeskyttelse som slår av maskinen for å beskytte motoren hvis den trekker for mye strøm.

Hvis maskinen slås uventet av, slippes fotbryteren. Plasser bryteren i O-OFF-posisjonen og trekk maskinens støpsel ut av stikkontakten. Fjern eventuelle rør fra maskinen. Følg avsnittene Inspeksjon før drift og Oppsett av maskin og arbeidsområde for å bekrefte at maskinen virker korrekt.

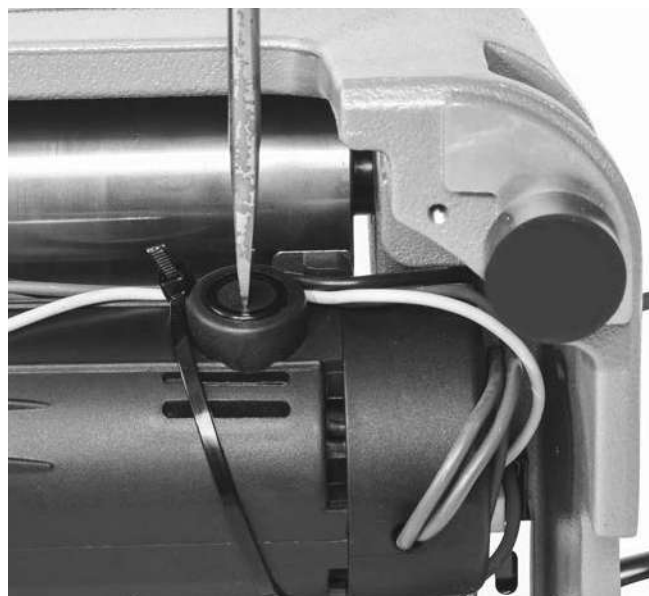
Bytte motorbørster

Kontroller motorbørstene hver sjette måned, børstene bør byttes hvis lengden er mindre enn 5 mm (0.2").

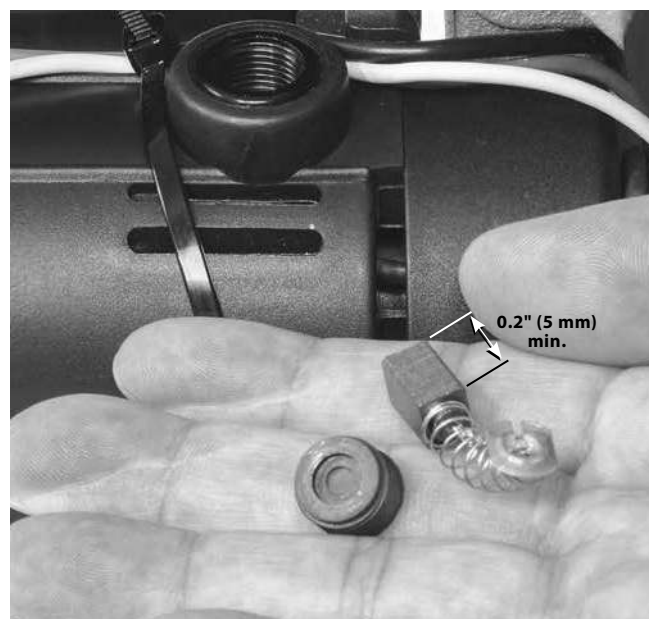
1. Bekreft at bryteren er i O-OFF-posisjonen og at maskinen er koblet fra strømmen.
2. Løsne de fem skruene som holder bunndekslet (Figur 16) og fjern dekslet (noen skruer sitter fast på dekslet).
3. Bruk en skrutrekker for å skru ut og fjerne børstehettene (Figur 17). Fjern kullbørstene forsiktig og kontroller lengden (Figur 18). Hvis børstelengden er mindre enn 5 mm (0.2"), skiftes børstene.
4. Sett inn børsten i børsteholderen, tilpass børstetappene korrekt til utsparingene i børsteholderen.
5. Stram børstehettene korrekt. Monter bunndekslet igjen.
6. Når maskinen er satt sammen igjen, kjøres maskinen i hastigheten II-Høy i fem minutter uten rør i maskinen, for å kjøre inn børstene.



Figur 16 – Skruer for bunndekslet



Figur 17 – Fjerne børstehette



Figur 18 – Inspiser børstelengde

Skann QR-koden nedenfor for å få tilgang til litteratur og video for PC116/PTC-400.



Feilsøking

PROBLEM	MULIGE ÅRSAKER	LØSNING
Overdreven vibrasjon under drift.	Feil driftshastighet. Kutter bøyd rør. Langt rør som ikke er støttet korrekt opp. Maskin ikke korrekt montert.	Se <i>Velge driftshastighet</i> . Ikke kutt synlig bøyde rør. Bruk håndkutter. Støtt langt rør med rørstativ. Monter maskinen korrekt på flatt underlag, skru fast med monteringsbolter.
Maskin kutter ikke rør korrekt.	Slitt kappeskive. Bruk på feil rørstørrelse eller materiale.	Skift slitt kappeskive. Bruk på korrekt rørtipe (se <i>Spesifikasjoner</i>).
Maskin stopper under kutting.	Aggressiv mating av kappeskive under kutting.	Mat kappeskiven forsiktig.
Maskin virker ikke.	Motorbørster er slitt. Overstrømbeskyttelse aktivert.	Monter nye motorbørster. <i>Følg instruksjoner for overstrøm i motor i Vedlikehold-avsnittet.</i>
Overdrevene rørgader eller deformering av enden.	Slitt eller skadet kappeskive. Aggressiv mating av kappeskive under kutting.	Skift kappeskive. Mat kappeskiven forsiktig.
Maskin stopper mens fotbryteren er trykket inn. Starter igjen når fotbryteren trykkes inn igjen.	Hull i fotbryteren/slangen. Luftbryter lekker.	Skift fotbryter. Hvis det ikke konstateres feil i fotbryter/slange, skiftes luftbryter.

Vedlikehold og reparasjon

⚠ ADVARSEL

Feil vedlikehold eller reparasjon kan gjøre maskinen farlig å bruke.

Instruksjoner for vedlikehold beskriver de fleste vedlikeholdsbehovene til denne maskinen. Eventuelle problemer som ikke er dekket av dette avsnittet, bør kun håndteres av et uavhengig RIDGID servicesenter. Bruk kun RIDGID servicedeler.

For informasjon om ditt nærmeste uavhengige RIDGID-servicesenter, eller for spørsmål om vedlikehold eller reparasjon, se *avsnittet Kontaktinformasjon* i denne håndboken.

Tilleggsutstyr

⚠ ADVARSEL

For å redusere risikoen for alvorlige personskader må det kun benyttes tilbehør som er spesielt designet og anbefalt for bruk sammen med RIDGID PC116/PTC-400 Elektrisk rørkutter, som oppført i listen.

Katalognr.	Beskrivelse
64903	PC116TS Rørstativ for bruk med PC116/PTC-400
66253	PC116 220-240V Kullbørste for motor
66248	PC116 100-120V Kullbørste for motor
56662	VJ-99 28" - 52" Stativ med høyt V-hode
64908	1375 Avgrader for PC116/PTC-400
66938	E850 Kappeskive (for metallisk rør)
66943	E855 Kappeskive (for plastrør)
64898	Lager for kappeskive

For en fullstendig liste over RIDGID-utstyr som er tilgjengelig for disse verktøyene, se Ridge Tool-katalogen online på RIDGID.com eller se *Kontaktinformasjon*.

Avfallshåndtering

Deler av dette verktøyet inneholder verdifulle materialer som kan resirkuleres. Det kan finnes lokale selskaper som spesialiserer seg på resirkulering. Kasser komponentene i samsvar med alle gjeldende bestemmelser. Kontakt dine lokale myndigheter for mer informasjon om avfallshåndtering.



For land i EF: Ikke kast elektrisk utstyr sammen med husholdningsavfall!

Ifølge EU-direktivet 2012/19/EU for elektrisk avfall og elektronisk utstyr og implementeringen i nasjonal lovgivning, må elektrisk utstyr som ikke lenger kan brukes, samles inn separat og kasseres på riktig måte med hensyn til miljøet.

Putkileikkuri

PC116/PTC-400

Sähkökäyttöinen putkileikkuri



VAROITUS!

Lue tämä käyttäjän käsikirja huolellisesti ennen tämän työkalun käyttöä. Jos tämän käyttöohjeen sisältö ymmärretään väärin tai sitä ei noudateta, seurauksena voi olla sähköisku, tulipalo ja/tai vakava henkilövahinko.

PC116/PTC-400 Sähkökäyttöinen putkileikkuri

Merkitse sarjanumero alla olevaan tilaan ja säilytä tyyppikilvessä näkyvä tuotteen sarjanumero.

Sarjanro

Sisällysluettelo

Tallennuslomake koneen sarjanumerolle	163
Turvallisuussymbolit	165
Yleiset sähkötyökaluihin liittyvät turvallisuusvaroitukset	165
Työalueen turvallisuus	165
Sähköturvallisuus	165
Henkilökohtainen turvallisuus	166
Sähkötyökalun käyttäminen ja hoitaminen.....	166
Huolto	166
Erityisiä turvallisuustietoja	166
RIDGID-yhteystiedot	167
Kuvaus	167
Tekniset tiedot	168
Vakiovarusteet.....	168
Kokoonpano	168
Pöytäasennus	168
Tarkastus ennen käyttöä	169
Laitteen ja työalueen valmistelu	169
PC116TS-tuen säätäminen.....	170
Käyttöohjeet	171
Leikkurin säätäminen eri putkikokoja varten	171
Käytönopeuden valinta/muuttaminen	171
Putken leikkaaminen.....	172
Putken jyrsiminen	173
Kuljetus	173
Säilytys	173
Huolto-ohjeet	174
Puhdistus	174
Voitelu.....	174
Leikkuuterän vaihtaminen	174
Moottorin ylivirtasuojaus	174
Hiiliharjojen vaihtaminen.....	174
Vianmääritys	176
Huolto ja korjaus.....	176
Lisävarusteet	176
Hävittäminen	177
EY-vaatimustenmukaisuusvakuutus	Takakannen sisäpuoli
Elinikäinen takuu	Takakansi

* Alkuperäisten ohjeiden käännös

Turvallisuussymbolit

Tässä käyttäjän käsikirjassa ja tuotteessa annetaan tärkeitä turvallisuustietoja käyttämällä turvallisuussymboleja ja signaalisanoja. Tässä osiossa kuvataan nämä signaalisanat ja symbolit.



Tämä on turvallisuusasiasta varoittava symboli. Sitä käytetään varoittamaan mahdollisesta henkilövahingon vaarasta. Noudata symbolin perässä annettuja turvallisuusohjeita, jotta vältät mahdollisen henkilövahingon tai kuoleman.



VAARA VAARA tarkoittaa vaarallista tilannetta, joka johtaa kuolemaan tai vakavaan henkilövahinkoon, ellei sitä vältetä.



VAROITUS VAROITUS tarkoittaa vaarallista tilannetta, joka voi johtaa kuolemaan tai vakavaan henkilövahinkoon, ellei sitä vältetä.



HUOMIO HUOMIO tarkoittaa vaarallista tilannetta, josta voi olla seurauksena lievä tai kohtuullinen loukkaantuminen, ellei sitä vältetä.



HUOMAUTUS HUOMAUTUS tarkoittaa tietoja, jotka auttavat välttämään omaisuusvahinkoja.



Tämä symboli tarkoittaa, että käyttäjän käsikirja on luettava huolellisesti ennen laitteen käyttämistä. Käyttäjän käsikirja sisältää tärkeitä tietoja laitteen turvallisesta ja oikeasta käytöstä.



Tämä symboli tarkoittaa, että tätä laitetta käytettäessä on aina käytettävä sivusuojuksilla varustettuja turvalaseja tai suojalaseja silmävaurioiden välttämiseksi.



Tämä symboli tarkoittaa sähköiskun vaaraa.



Tämä symboli tarkoittaa, että kädet, sormet tai muut kehon osat voivat tarttua, kietoutua tai murskautua rulliin tai muihin liikkuviin osiin.



Tämä symboli tarkoittaa käsien, sormien tai kehon muiden osien leikkautumisvaaraa pyörivistä tai liikkuvista osista.



Tämä symboli ilmoittaa koneen kaatumisriskistä, josta voi olla seurauksena puristus- tai iskuvammoja.



Tämä symboli tarkoittaa, että tätä konetta käytettäessä ei saa käyttää käsiä tarttumisvaaran vähentämiseksi.

Yleiset sähkötyökaluihin liittyvät turvallisuusvaroitukset*



VAROITUS

Lue kaikki turvallisuusvaroitukset, ohjeet, kuvat ja erittelyt ennen tämän sähkötyökalun käyttöä. Jos kaikkia seuraavassa lueteltuja ohjeita ei noudateta, seurauksena saattaa olla sähköisku, tulipalo ja/tai vakava henkilövahinko.

SÄILYTÄ KAIKKI VAROITUKSET JA OHJEET MYÖHEMPÄÄ KÄYTTÖÄ VARTEN!

Varoituksissa käytettävä termi "sähkötyökalu" viittaa verkovirtakäyttöisiin sähkötyökaluihin (joissa on virtajohto) sekä akkukäyttöisiin sähkötyökaluihin (joissa ei ole virtajohtoa).

Työalueen turvallisuus

- **Pidä työalue siistinä ja hyvin valaistuna.** Epäsiisti tai pimeä työalue altistaa onnettomuuksille.
- **Älä käytä sähkötyökaluja räjähdysriskissä ympäristöissä, kuten syttyvien nesteiden, kaasujen tai pölyn läheisyydessä.** Sähkötyökaluista syntyy kipinöitä, jotka saattavat sytyttää pölyn tai höyryt.

- **Älä käytä sähkötyökalua lasten tai sivullisten läheisyydessä.** Häiriötekijät saattavat johtaa hallinnan menettämiseen.

Sähköturvallisuus

- **Sähkötyökalun pistokkeiden on sovittava pistorasiaan.** Pistoketta ei saa koskaan muuttaa millään tavalla. **Älä käytä pistokeadaptereita maadoitettujen sähkötyökalujen kanssa.** Muokkaamattomat pistokkeet ja sopivat pistorasiat pienentävät sähköiskun vaaraa.
- **Vältä kosketusta maadoitettuihin pintoihin, kuten putkiin, lämpöpattereihin, liesiin ja jääkaappeihin.** Sähköiskun vaara kasvaa, jos kehosi on maadoitettu.
- **Älä altista sähkötyökaluja sateelle tai märille olosuhteille.** Sähkötyökaluun pääsevä vesi lisää sähköiskun vaaraa.
- **Älä vahingoita virtajohtoa. Älä koskaan käytä virtajohtoa sähkötyökalun kantamiseen, vetämiseen tai irrottamiseen pistorasiasta. Älä altista virtajohtoa kuumudelle, öljylle, teräville reunoille tai liikkuville osille.** Vialliset tai sotkeutuneet johdot lisäävät sähköiskun vaaraa.
- **Kun käytät sähkötyökalua ulkona, käytä ulkokäyttöön sopivaa jatkojohtoa.** Ulkokäyttöön tarkoitetun jatkojohdon käyttäminen vähentää sähköiskun vaaraa.

*Tämän käyttöohjeen sähkötyökaluja koskevien yleisten turvallisuusohjeiden osiossa käytetty teksti on soveltuvan standardin UL/CSA/EN 62841-1 version mukainen. Tämä osa sisältää useiden erityyppisten sähkötyökalujen yleisiä turvallisuuskäytäntöjä. Kaikki varoitukset eivät päde kaikkiin työkaluihin ja jotkin niistä eivät päde tähän työkaluun.

- Jos sähkötyökalua käytetään kosteissa olosuhteissa, käytä vikavirtakatkaisimella (GFCI) suojattua virtalähdettä. Vikavirtakatkaisimen käyttäminen vähentää sähköiskun vaaraa.

Henkilökohtainen turvallisuus

- Ole valppaana, keskity tekemiseesi ja käytä maalaisjärkeä käyttäessäsi sähkötyökalua. Älä käytä sähkötyökaluja väsyneenä tai huumeiden, alkoholin tai lääkkeiden vaikutuksen alaisena. Hetkellinen valppauden menettäminen sähkötyökaluja käytettäessä voi johtaa vakaviin henkilövahinkoihin.
- Käytä henkilösuojaimia. Käytä aina silmiensuojaimia. Suojavarusteiden, kuten hengityssuojaimen, luistamattomien turvakenkien, suojakypärän ja kuulonsuojaimien käyttö vähentää henkilövahinkojen vaaraa.
- Estä tahaton käynnistyminen. Varmista, että virtakytkin on OFF-asennossa, ennen kuin kytket virtalähteen ja/tai akun tai nostat tai kannat työkalua. Varmista, että virtakytkin on OFF-asennossa, ennen kuin kytket virtalähteen ja/tai akun tai nostat tai kannat työkalua.
- Poista säätöavaimet tai -työkalut ennen kuin kytket virran sähkötyökaluun. Sähkötyökalun pyöriivään osaan kiinni jätetty säätötyökalu tai avain saattaa johtaa henkilövahinkoon.
- Älä kurottele. Pidä jalkasi tukevalla alustalla ja säilytä tasapainosi. Näin voit parantaa sähkötyökalun hallintaa yllättävissä tilanteissa.
- Pukeudu asianmukaisesti. Älä käytä löysiä vaatteita tai koruja. Pidä hiukset ja vaatteet etäällä liikkuvista osista. Löysät vaatteet, korut tai pitkät hiukset voivat takertua liikkuviin osiin.
- Jos laitteessa on liitäntä pölynpoistolle ja keräyslaitteille, varmista, että ne on liitetty ja niitä käytetään oikein. Pölynkeräyslaitteen käyttäminen voi vähentää pölyn aiheuttamia vaaroja.
- Älä anna työkalujen runsaasta käytöstä johtuvan totuneisuuden aiheuttaa liikaa itsevarmuutta ja työkalun turvallisuusperiaatteiden laiminlyöntiä. Huolimaton toiminta voi aiheuttaa vakavia vammoja sekunnin murto-osassa.

Sähkötyökalun käyttäminen ja hoitaminen

- Älä ylikuormita sähkötyökalua. Käytä käyttötarkoitukseen soveltuvaa sähkötyökalua. Oikea sähkötyökalu suoriutuu tehtävästä paremmin ja turvallisesti.
- Älä käytä sähkötyökalua, jos sitä ei voida käynnistää ja pysäyttää virtakytkimellä. Jos sähkötyökalua ei voi hallita kytkimellä, se on vaarallinen ja se on korjattava ennen käyttöä.

- Irrota pistoke virtalähteestä ja/tai akku sähkötyökalusta, ennen kuin suoritat säätöjä, vaihdat lisäosia tai varastoit sähkötyökaluja. Nämä ennakoivat turvatoimet vähentävät sähkötyökalun tahattoman käynnistymisen riskiä.
- Säilytä sähkötyökalut poissa lasten ulottuvilta äläkä anna sellaisten henkilöiden käyttää sähkötyökalua, jotka eivät ole perehtyneet työkalun käyttöön ja näihin ohjeisiin. Sähkötyökalut ovat vaarallisia tottumattomien käyttäjien käsissä.
- Huolla sähkötyökalut. Tarkista, esiintyykö liikkuvissa osissa kohdistusvirheitä tai takertumista ja onko työkalussa vaurioituneita osia tai muita sähkötyökalun toimintaan vaikuttavia vikoja. Viallinen sähkötyökalu on korjattava ennen käyttöä. Monet onnettomuudet johtuvat huonosti huolletuista sähkötyökaluista.
- Pidä leikkaustyökalut terävinä ja puhtaina. Oikein huolletut ja terävät leikkaustyökalut juuttuvat vähemmän ja ovat helpompia hallita.
- Käytä sähkötyökalua, lisävarusteita, teriä, jne. näiden ohjeiden mukaisesti ja ota huomioon työolosuhteet ja suoritettava työ. Sähkötyökalun käyttö muuhun kuin sen alkuperäiseen käyttötarkoitukseen saattaa aiheuttaa vaaratilanteen.
- Pidä kahvat ja tartuntapinnat kuivina, puhtaina, öljytöminä ja rasvattomina. Liukkaat kahvat ja tartuntapinnat estävät työkalun turvallisen käsittelyn ja hallinnan yllättävissä tilanteissa.

Huolto

- Anna pätevän korjaajan huoltaa sähkötyökalu käyttämällä ainoastaan identtisiä varaosia. Tämä varmistaa sähkötyökalun turvallisuuden.

Erityisiä turvallisuustietoja

VAROITUS

Tämä osio sisältää nimenomaan tähän työkaluun liittyviä tärkeitä turvallisuusohjeita.

Lue nämä turvallisuustiedot huolellisesti ennen sähkökäyttöisen PC116/PTC-400-putkileikkurin käyttöä, jotta pienennät sähköiskun tai muun vakavan loukaantumisen vaaraa.

SÄILYTÄ KAIKKI VAROITUKSET JA OHJEET MYÖHEMPÄÄ KÄYTTÖÄ VARTEN!

Säilytä tämä käyttöohje laitteen läheisyydessä, jotta se on käyttäjän käytettävissä.

- Älä pidä käsineitä tai löysiä vaatteita, kun käytät sähkökäyttöistä putkileikkuria. Älä anna hihojen roikkua ja napita takit. Älä kurota koneen yli. Vaatteet voivat juuttua koneeseen ja takertua kiinni.

- **Pidä kädet poissa pyörivistä osista, kuten rullat, jyrsin, leikkuuterä ja putki. Anna osien pysähtyä kokonaan ennen työkalun tai putken käsittelyä.** Tämä käytäntö vähentää pyöriin osiin takertumisen vaaraa.
- **Kiinnitä kone tukevaan pöytään tai jalustaan. Tue putket kunnolla.** Tämä vähentää kaatuvan tai putoavan putken tai työkalun aiheuttamien isku- ja puristumisvammojen vaaraa.
- **Älä leikkaa näkyvästi taipunutta putkea tai putkea liittimet kiinnitettyinä.** Vähentää liiallisen tärinän ja koneen ja/ tai outken hallinnan menetyksen riskiä.
- **Käytä aina asianmukaisia silmiensuojaimia ja henkilökohtaisia suojaruusteita.** Leikkuutyökalut voivat rikkoutua tai pirstoutua. Tämä vähentää vammojen vaaraa.
- **Saman henkilön on ohjattava työprosessia ja jalkakytintä.** Koneen käytön aikana sen luona saa olla vain laitteen käyttäjä. Tämä vähentää henkilövahinkojen vaaraa.
- **Lue ja ymmärrä nämä ohjeet ja kaikkien käytettävien laitteiden ja materiaalien ohjeet ja varoitukset ennen tämän työkalun käyttöä vakavien henkilövahinkojen vaaran vähentämiseksi.**

RIDGID-yhteystiedot

Jos sinulla on kysyttävää tästä RIDGID®-tuotteesta:

- Ota yhteys paikalliseen RIDGID®-jälleenmyyjään.
- Lähimmän RIDGID-edustajan löydät osoitteesta RIDGID.com.
- Ridge Toolin tekniseen palveluosastoon saa yhteyden lähettämällä sähköpostia osoitteeseen rttechservices@emerson.com tai soittamalla Yhdysvalloissa ja Kanadassa numeroon (800) 519-3456.

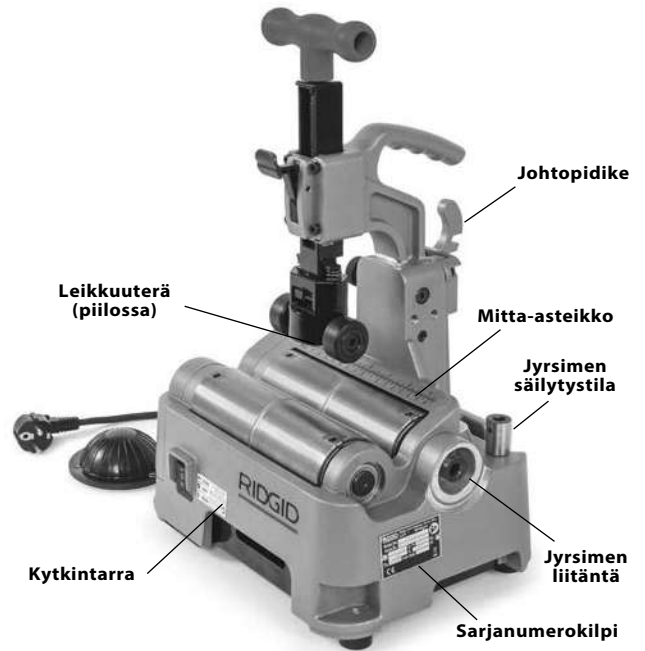
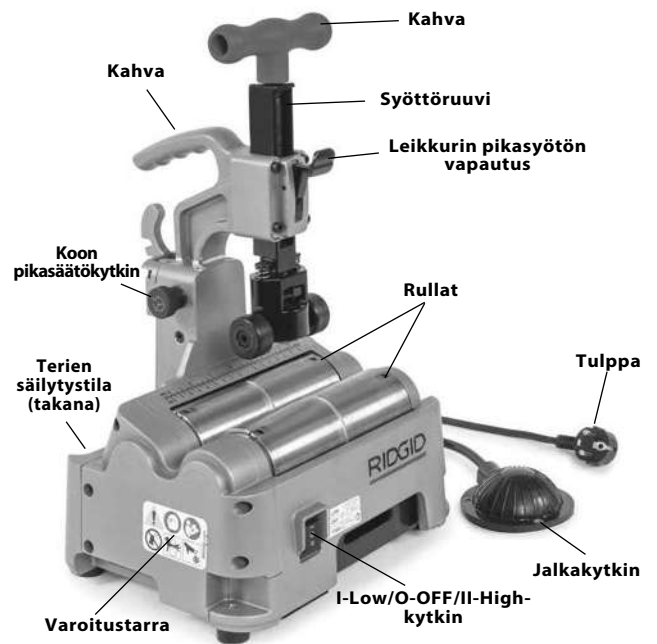
Kuvaus

Sähkökäyttöinen RIDGID® PC116/PTC-400 -putkileikkuri on tarkoitettu nimelliskooltaan ½" - 4" (12 - 100 mm) metalli- ja muoviputken leikkaamiseen.

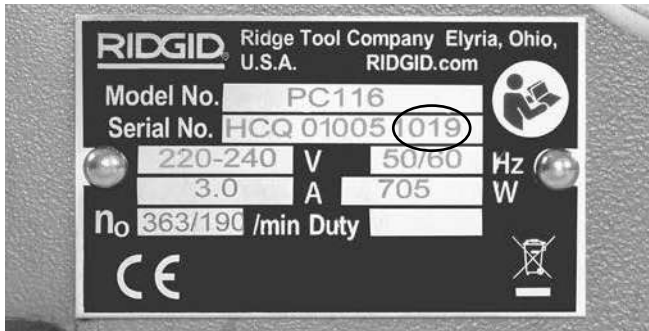
Kaksinopeuksiset kytkinsäätimet säätelevät rullien nopeutta ja paineilmatoiminen jalkakytin tarjoaa moottorin ON/OFF-ohjauksen. Laitteessa on asteikko putken mittaamiseen. Sähkökäyttöinen putkileikkuri on kevyt ja kompakti ja siksi helppo kuljettaa.

Lisävarusteena on saatavana jyrsin purseiden poistamiseen maks. 2" (50 mm) putkien sisäpinnoilta.

Putkileikkuria ei ole tarkoitettu käytettäväksi isoille putkille.



Kuva 1 – RIDGID® Sähkökäyttöinen putkileikkuri PC116/PTC-400



Kuva 2 – Koneen sarjanumero

Koneen sarjanumero on leikkurin sivulla. 4 viimeistä numeroa osoittavat valmistuskuukauden ja -vuoden. (10 = kuukausi, 19 = vuosi).

Tekniset tiedot

Putken nimelliskoko

Leikkauskapasiteetti ½" - 4" (12 mm - 100 mm)

Todellinen

leikkauskapasiteetti ½" - 4,5" (12 mm - 116 mm)

Putken/kanan materiaali*	Seinämän enimmäispaksuus	Leikkuuterä	
		E-850	E-855
		Luett.	Luett.
		#66938	#66943
Hiiliteräs	0.1" (2,5 mm)	X	
Ruostumaton teräs	0.1" (2,5 mm)	X	
Alumiini	0.1" (2,5 mm)	X	
Kupari	0.1" (2,5 mm)		X
Muovi	0.23" (6 mm)		X

* Vain yleiseksi ohjeeksi. Materiaalikoostumus, kovuus ja muut tekijät vaikuttavat leikkauskykyyn, terän käyttöikään, purseiden muodostumiseen jne.

Nimellinen
jyrsintäkapasiteetti ½" - 2" (12 mm - 50 mm)
(lisävaruste)

Putken enimmäispituus 20' (6 m)

Moottori

Tyyppi.....	Yleis	
Jännite.....	100-120V	220-240V
Virta.....	5,8 A	3,0 A
Taajuus.....	50/60 Hz	50/60 Hz
Teho.....	705 W	705 W

Katso laitekohtaiset tiedot tuotteen arvokilvestä.

Rullan pyörimisnopeus 190/363 r/min jännitteellä 220-240V, 225/385 r/min jännitteellä 100-120V

Säätimet I-LOW/O-OFF/II-HIGH-kytkin ja ON/OFF-jalkakytin

Paino 32 lbs. (14,5 kg)
Mitat
P x L x K 11.6" x 9.4" x 15.9"
(295 mm x 239 mm x 403 mm)

Käyttölämpötila -4 °F - 122 °F (-20 °C - 50 °C)

Äänenpaine (L_{PA})* 82,3 dB(A), K=3

Äänenteho (L_{WA})* 93,3 dB(A), K=3

* Äänimittaukset on tehty standardin EN 62481-1 mukaisen standardoidun testin mukaisesti.

- Äänitasot voivat vaihdella paikan ja näiden työkalujen käytön mukaan.

- Äänen päivittäiset altistustasot on arvioitava tapauskohtaisesti ja tarvittaessa on ryhdyttävä asianmukaisiin turvatoimenpiteisiin. Altistumistasojen arvioinnissa on otettava huomioon aika, jonka työkalu on päältäkytkettynä ja pois käytöstä. Tämä voi pienentää koko työskentelyjakson altistustasoa merkittävästi.

Vakiovarusteet

Katso RIDGID-luettelo, jossa on annettu lisätietoja kyseisen koneen konenumeron mukana toimitetuista lisävarusteista.

HUOMAUTUS Oikeiden materiaalien sekä asennus-, liittämisen- ja muotoilumenetelmien valinta on järjestelmän suunnittelijan ja/tai asentajan vastuulla. Väärien materiaalien ja menetelmien valinta voi aiheuttaa järjestelmävian.

Ruostumaton teräs ja muut korroosiota kestävä materiaalit voivat kontaminoitua asennuksen, liittämisen ja muotoilun aikana. Tällainen kontaminaatio saattaa aiheuttaa korroosiota ja ennenaikaisen rikkoutumisen. Kyseisiin käyttöolosuhteisiin, mukaan lukien kemialliset ja lämpöolosuhteet, tarkoitett materiaalit ja menetelmät on arvioitava huolellisesti ennen asennusta.

Varmista ruostumattoman teräksen rautakontaminaation riskin estämiseksi, että kaikki rullat ovat puhtaat eikä niissä ole roskia. Puhdista huolellisesti teräsharjalla. Puhdista leikkuuterä ja jyrsin ennen käyttöä ruostumattoman teräsmateriaalin kanssa. Paras tapa on varata ruostumattomalle teräkselle oma leikkuri.

Kokoonpano

⚠ VAROITUS

Vakavan loukkaantumisen vaaran pienentämiseksi käytön aikana tulee noudattaa näitä oikeaoppista asennusta koskevia ohjeita. Kytkimen on oltava OFF-asennossa ja koneen irrotettuna pistorasiasta ennen kokoonpanoa.

Pöytäasennus

Kone voidaan asentaa tasaiselle ja tukevalle pöydälle. Laitteen kiinnittämiseksi pöytään irrota kumijalat koneen pohjan neljästä kulmasta (katso kuva 16) ja kiinnitä kone pöytään M8-pulteilla. Kiristä kunnolla.

Tarkastus ennen käyttöä

VAROITUS



Tarkasta sähkökäyttöinen putkileikkuri ennen jokaista käyttökertaa ja korjaa mahdolliset ongelmat. Näin voidaan vähentää sähköiskujen, takertumisen, ruhjoutumisvammojen ja muista syistä johtuvien vakavien tapaturmien vaaraa ja estää koneen vaurioituminen.

1. Varmista, että putkileikkuri on irrotettu pistorasiasta.
2. Puhdista kone ja laitteet mukaan lukien sen kahvat ja säätimet. Tämä helpottaa koneen tarkastusta ja estää sen irtoamisen otteestasi tai sen hallinnan menettämisen. Puhdista ja huolla laite huolto-ohjeiden mukaan.
3. Tarkista putkileikkuri:
 - Tarkista johto ja pistotulppa vaurioiden ja muutosten varalta.
 - Oikea asennus, kunnossapito ja täydellisyys.
 - Murtuneet, kuluneet, puuttuvat, väärin suunnatut ja juuttuvat osat sekä muut vauriot.
 - Jalkakytkin ja sen toiminta. Varmista, että jalkakytkin on kiinnitetty, hyvässä kunnossa, että se menee pehmeästi eri asentoihin eikä takertele.
 - Syöttöruuvi, leikkuuterän ja tukirullien esteetön liikuminen.
 - Varoitus- ja muut tarrat ja niiden luettavuus. (Katso kuva 1).
 - Tarkasta leikkuuterän ja jyrsimen leikkuusärmät kulumisen, muodonmuutosten, säröjen ja muiden ongelmien varalta. Tylsät, vioittuneet tai löystyneet leikkuuterät voivat vahingoittaa työkalua, heikentää työn laatua ja lisätä henkilövahinkojen vaaraa.
 - Jos käytetään PC116TS-putkitukia, puhdista, tarkasta ja voitele ne tarvittaessa.
 - Muut seikat, jotka voivat estää turvallisen ja normaalin käytön.

Jos ongelmia ilmenee, älä käytä työkalua, ennen kuin ongelmat on korjattu.
4. Tarkasta ja huolla kaikki muut käytettävät laitteet niiden ohjeiden mukaan ja varmista, että ne toimivat oikein.

Laitteen ja työalueen valmistelu

VAROITUS

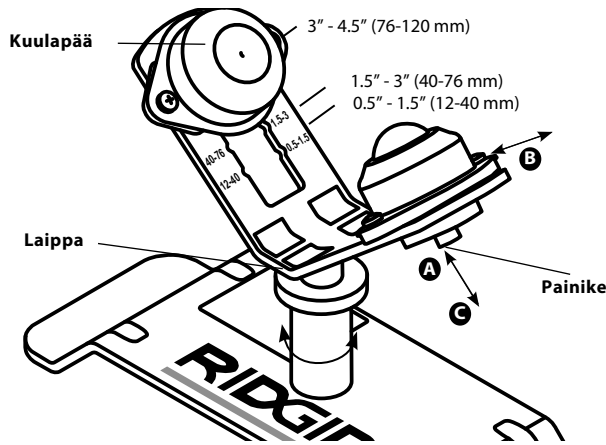


Asenna sähkökäyttöinen putkileikkuri ja järjestä työskentelyalue näiden ohjeiden mukaisesti vähentääksesi sähköiskun, takertumisen, ruhjoutumisvammojen ja muiden syiden aiheuttaman vakavan loukkaantumisen riskiä ja estääksesi koneen vaurioitumisen.

1. Tarkista, onko työalueella:
 - Kunnollinen valaistus.
 - Syttyviä nesteitä, höyryjä tai pölyä. Mikäli alueella on näitä, älä aloita työskentelyä, ennen kuin ongelmat on tunnistettu ja korjattu. Leikkuri ei ole räjähdyksenkestävä, ja se voi kipinöidä.
 - Puhdas, tasainen, tukeva ja kuiva paikka kaikille laitteille ja käyttäjälle.
 - Oikein maadoitettu pistorasia, joka antaa oikean jännitteen. Tarkasta vaadittu jännite koneen arvokilvestä. Kolmipiikkinen tai vikavirtasuojattu pistorasia ei välttämättä ole maadoitettu. Jos et ole varma, pyydä valtuutettua sähköasentajaa tarkistamaan pistorasia.
 2. Tarkista tehtävä työ. Määritä putken materiaali, tyyppi ja koko. Määritä työhön soveltuvat laitteet. *Katso Tekniset tiedot.*
 3. Varmista, että kaikki käytettävät laitteet on tarkastettu ja asennettu oikein.
 4. Aseta kone tasaiselle, suoralle ja tukevalle pinnalle. Katso "Pöytäasennus" kappaleessa Kokoonpano. Varmista, että laite on vakaa ja turvallinen.
 5. Jos putki ulottuu yli 6" (15 cm) koneen ulkopuolelle, käytä yhtä tai useampaa sopivaa tukea putken tukemiseksi. Aseta tuet linjaan rullien kanssa. Pidemmälle putkelle voidaan tarvita useampi kuin yksi tuki. Käytä ainoastaan tarkoitusta varten suunniteltuja tukia. Väärät tuet tai putken tukeminen käsin voi aiheuttaa kaatumisen tai takertumisen ja henkilövahinkoja. Älä ylitä tuen ilmoitettua kantavuutta. Kun leikkuri ja tuki ovat samalla korkeudella, käytä putken tukemiseen RIDGID PC116TS-putkitukea.
- Jos työskentelet pöydällä tai muulla korotetulla työskentelyalueella, putken tukemiseen voidaan käyttää erilaisia RIDGID-putkitukia. Jos PC116/PTC-400-leikkuria käytetään maassa, käytä putken tukemiseen RIDGID PC116TS-putkitukea. *Katso kuva 3.*



Kuva 3 – Tuen sijoittaminen



Kuva 4 – PC116TS-tuen säätäminen

PC116TS-tuen säätäminen

PC116TS-tuki on lisävaruste, joka on tarkoitettu käytettäväksi PC116/PTC-400-leikkurin kanssa, mutta ei mihinkään muuhun käyttötarkoitukseen.

Kuulapäiden säätäminen putkikokoa varten:

- Paina painiketta **A**
- Siirrä kuulapää oikean putkikoon kohdalle (ks. kuva 4) **B**
- Vapauta painike – varmista, että se on kunnolla paikallaan **C**

Sääda tuen korkeus kääntämällä kaulusta tuen pään nostamiseksi tai laskemiseksi. Tuki on tarkoitettu sijoitettavaksi samalla tasaiselle alustalle kuin PC116/PTC-400-leikkuri. Katso kuva 3. Tarvittaessa tuen nostamiseen voidaan käyttää sopivia välikkeitä (esim. puupalikoita).

- Rajoita pääsyä, aseta vartijat tai aidoita alue niin, että koneen ja putken ympärillä on vähintään 3 jalkaa (1 m) vapaata tilaa. Tämä estää sivullisia koskemasta koneeseen tai putkeen ja vähentää kaatumis- ja takertumisvaaraa.
- Aseta jalkakytkin *kuvan 8* mukaisesti jolloin saadaan oikea työasento.
- Kun kytkin on O-OFF-asennossa, vedä johto esteetöntä reittiä pitkin. Varmista, että kätesi ovat kuivat ja kytke virtajohto maadoitettuun pistorasiaan. Pidä kaikki sähköliitännät kuivina ja irti maasta. Jos virtajohto ei ole tarpeeksi pitkä, käytä jatkojohtoa, joka täyttää seuraavat kriteerit:
 - On hyväkuntoinen.
 - Siinä on kolmipiikkinen pistoke kuten putkileikkurissa.
 - Se on hyväksytty ulkokäyttöön.
 - Johdinkoko on riittävä. Käytä jatkojohdoille 50' (15,2 m) saakka vähintään kokoa 14 AWG (2,5 mm²). Käytä jatkojohdoille 50'-100' (15,2 m - 30,5 m) saakka vähintään kokoa 12 AWG (2,5 mm²).
- Tarkista, että putkileikkuri toimii oikein. Kädet etäällä laitteesta:
 - Siirrä nopeuskytkin asentoon I-LOW. Paina jalkakytäkintä ja vapauta se. Rullien tulisi pyöriä *kuvan 5 nuolten mukaisesti*. Jos kone ei pyöri oikeaan suuntaan tai jalkakytäkintä ei hallitse laitteen toimintaa, älä käytä konetta, ennen kuin se on korjattu.
 - Pidä jalkakytäkintä painettuna. Tarkasta liikkuvat osat ja varmista, että niiden kohdistus on oikea, kiinnitys toimii ja että epätavallisia ääniä tai muuta epätavallista ei ole. Nosta jalka jalkakytäkimeltä. Jos laitteessa on jotain epätavallista, älä käytä konetta, ennen kuin se on korjattu.



Kuva 5 – Rullan pyörimissuunta

- Siirrä nopeuskytkin O-OFF-asentoon ja irrota kone kuivin käsin pistorasiasta.

Käyttöohjeet

VAROITUS



Älä pidä käsineitä tai löysiä vaatteita, kun käytät sähkökäyttöistä putkileikkuria. Älä anna hihojen roikkua

ja napita takit. Älä kurota koneen yli. Vaatteet voivat juuttua koneeseen ja takertua kiinni.

Pidä kädet poissa pyörivistä osista, kuten rullat, jyrsin, leikkuuterä ja putki. Anna osien pysähtyä kokonaan ennen työkalun tai putken käsittelyä. Tämä käytäntö vähentää pyöriviin osiin takertumisen vaaraa.

Tue putket kunnolla. Tämä vähentää kaatuvan tai putoavan putken tai työkalun aiheuttamien isku- ja puristumisvammojen vaaraa.

Samana henkilön on ohjattava työprosessia ja jalkakäyntä. Koneen käytön aikana sen luona saa olla vain laitteen käyttäjä. Tämä vähentää henkilövahinkojen vaaraa.

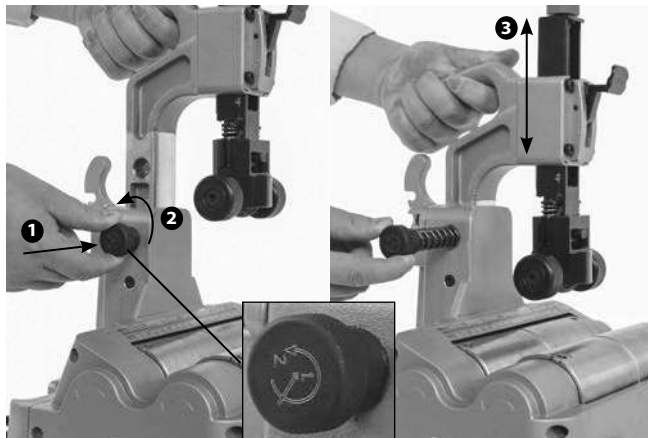
Noudata käyttöohjetta vähentääksesi sähköiskun, takertumisen, ruhjoutumisvammojen ja muiden syiden aiheuttaman vakavan loukkaantumisen riskiä ja estääksesi koneen vaurioitumisen.

Varmista, että laite ja työalue on valmisteltu oikein eikä alueella ole sivullisia tai muita häiriötekijöitä. Käyttäjä on aina henkilö alueella koneen käytön aikana.

Leikkurin säätäminen eri putkikokoja varten

Koon pikasäätökytkin

Koon pikasäätökytkin mahdollistaa nopean säädön putkikoolle maks. 2" (50 mm) ja 2" - 4" (50 mm - 100 mm).



Kuva 6 – Koon pikasäätökytkin

1. Ilman putkea leikkurissa tartu kahvaan ja vapauta tappi painamalla kevyesti nuppia 1 ja kääntämällä hieman

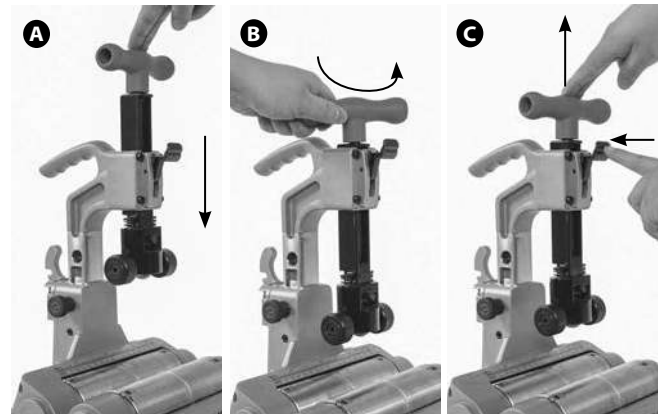
vastapäivään 2. Nuppi on jousikuormitteinen ja palaa asentoonsa - ohjaa nupin liikettä. Katso kuva 6.

2. Käytä kahvaa ja siirrä pää haluttuun asentoon 3.
3. Työnnä pikasäätimen nuppi paikalleen pään pitämiseksi asennossaan.

Leikkurin pikasyötön säätö

Leikkurin pikasyötön säätöä käytetään leikkuuterän liikuttamiseksi eteenpäin ja sisäänvetämiseen leikkauksen aikana.

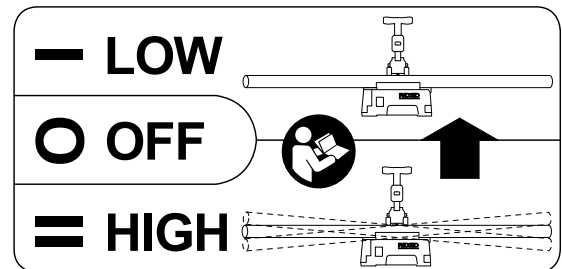
1. Siirrä leikkuuterää eteenpäin painamalla kahvaa alas (kuva 7A), kunnes se osuu putkeen.
2. Vedä leikkuuterä sisään löysäämällä kahvaa/syöttöruuvia 1-2 kierrosta (kuva 7B) ja painamalla vapautinta (kuva 7C), jolloin se palautuu takaisin (jousikuormitteinen - ohjaa kahvan liikettä).



Kuva 7 – Pikasyöttö: A-eteen, B-löysää, C-taakse

Käyttönopeuden valinta/muuttaminen

Sähkökäyttöisessä putkileikkurissa on kaksi käyttönopeutta - LOW ja HIGH, katso kuva 8.



Kuva 8 – Nopeustarra

HIDAS-nopeus (kytkimen asento I-Low). Tämä vähentää putken tärinän ja värähtelyn riskiä käytön aikana.

Suosittelaa putkihalkaisijalle 2" (50 mm) ja pienemmälle ja pidemmälle kuin 6.5' (2 m)

NOPEA-nopeus (kytkimen asento II-High). Tämä lyhentää leikkausaikaa.

Kaikenmittaisille halkaisijaltaan yli 2" (50 mm) putkille

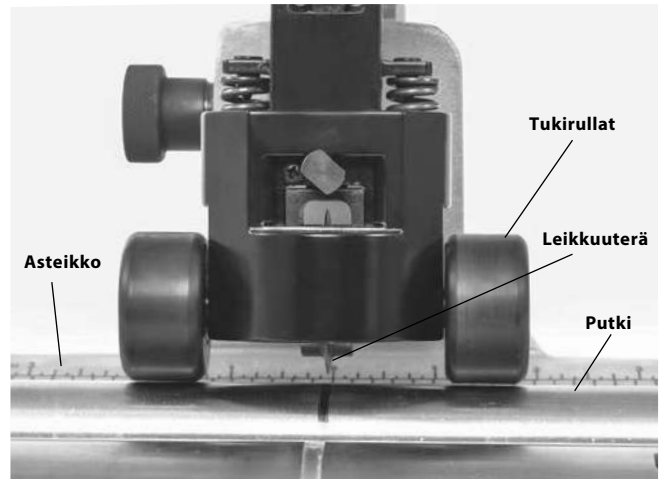
Kaikille pituudeltaan alle 6.5' (2 m) putkille

Putken värinä ja värähtely riippuvat monista tekijöistä, kuten putken pituudesta, koosta, painosta, suoruudesta, tuen kohdistuksesta, rullan nopeudesta jne. Jos sinusta tuntuu, että putki värisee tai värähtelee liikaa, vapauta jalkakytkin. Jos kone on II-High-nopeudella, vaihda I-Low-nopeudelle ja yritä uudelleen. Jos kone on I-Low-nopeudella, vaihda toiseen leikkuumenetelmään kyseisellä työkappaleella, esim. käsi-leikkuriin.

Nopeuden vaihtamiseksi vapauta jalkakytkin ja anna leikkurin pysähtyä täysin. Siirrä kytkin haluttuun asentoon. Älä muuta käyttönopeutta koneen käydessä.

Putken leikkaaminen

1. Tarkista, että putki ei ole näkyvästi taipunut eikä liittimiä ole kiinnitettyinä. Taipuneiden tai liittimiä sisältävien putkien leikkaaminen voi johtaa liialliseen värinään ja hallinnan menetykseen. Käytä tarvittaessa käsileikkuria. Merkitse putken haluttu pituus. Käytön helpottamiseksi koneessa on mitta-asteikko.
2. Säädä tarvittaessa sähkökäyttöisen putkileikkurin koaluetta koon pikasäätökytkimellä.
3. Aseta putki rullille niin, että leikkausmerkki sijaitsee leikkuriterän alapuolella asteikon nollamerkillä. Jos putki ulottuu koneen ulkopuolelle, aseta tuet putken alle. Tuet tulisi säätää siten, että putki on suorassa rullien päällä. Tämä auttaa varmistamaan leikkauksen oikean seurannan. Katso kuva 3.
4. Ota oikea työasento, jotta voit hallita konetta ja putkea (katso kuva 10):
 - Varmista, että sinulla on hyvä pääsy työkaluihin ja kytkimeen.
 - Varmista, että pystyt käyttämään jalkakytkintä. Älä paina vielä jalkakytkintä. Hätätilanteissa sinun on pystyttävä vapauttamaan jalkakytkin.
 - Varmista, että tasapainosi on hyvä eikä sinun tarvitse kurotella.
5. Käytä pikasyöttöjärjestelmää, kunnes tukirullat koskettavat putkeen (kuva 9). Kohdistusta leikkuuterä putkessa olevan merkin mukaan. Kiristä syöttöruuvia, jotta leikkurin pyörä tulee kosketukseen putken kanssa. Kun leikkurin pyörä koskettaa putkea, liikuta syöttöruuvia eteenpäin vielä 1–1½ kierrosta niin, että se tarttuu putkeen. Älä liikuta syöttöruuvia liikaa eteenpäin, sillä se voi tehdä putkesta soikean ja lisätä purseiden muodostumista.



Kuva 9 – Tukirullat koskettavat putkeen

6. Siirrä I-Low/O-OFF/II-High-kytkin leikattavalle putkelle sopivaan asentoon
7. Paina jalkakytkin alas. Rullat ja putki alkavat pyöriä. Pidä kädet kaukana pyörivistä osista.



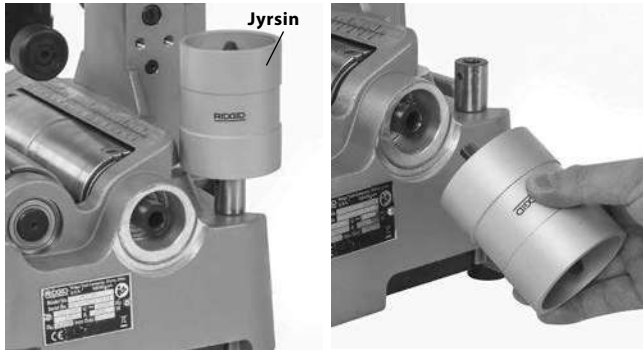
Kuva 10 – Putken leikkaaminen

8. Liikuta syöttöruuvia eteenpäin kiristämällä syöttöruuvia hitaasti koko ajan, kunnes putki on leikattu. Aggressiivinen leikkaus voi vahingoittaa leikkuuterää ja aiheuttaa liikaa purseita. Pidä tukirullat kosketuksessa putken kanssa, jotta putki pysyy paikallaan.

Jos putki pyörii leikkaamisen aikana, pysäytä leikkaus ja tarkista koneen asennus, erityisesti putkitukien suuntaus. Eri putkimateriaalit saattavat tarvita syöttöruuvien lisäkierrosta seurannan parantamiseksi.

9. Nosta jalka jalkakytkimeltä. Siirrä sitten I-Low/O-OFF/I-High-kytkin O-OFF-asentoon.
10. Kun putki lakkaa pyörimästä, löysää syöttöruuvia 1-2 kierrosta ja paina vapautinta vetääksesi leikkuuterän kokonaan sisään. Irrota putki.

Putken jyrsiminen



Kuva 11 – Jyrsimen asentaminen

1. Aseta I-Low/O-OFF/I-High-kytkin O-OFF-asentoon.
2. Poista jyrsin säilytysasennosta ja kiinnitä se kuvan 11 mukaiseen asentoon. Varmista, että jyrsin on kiinnitetty kunnolla.
3. Siirrä I-Low/O-OFF/I-High-kytkin I-Low-asentoon.
4. Paina jalkakytkin alas. Pidä kädet poissa putken päistä ja pyörivistä osista.
5. Tartu lujasti putkeen. Tue putki kunnolla hallinnan varmistamiseksi.
6. Aseta putki jyrsinkartion päälle ja paina varovasti (kuva 12) poistaaksesi purseet putken pään sisäpuolelta. Älä työnnä putkea väkisin jyrsimen, sillä putki voi tarttua jyrsimen, jolloin se alkaa pyöriä käsissäsi.



Kuva 12 – Putken jyrsiminen

7. Nosta jalka jalkakytkimeltä.
8. Aseta I-Low/O-OFF/I-High-kytkin O-OFF-asentoon.
9. Poista jyrsin käyttöasennosta ja palauta se säilytysasentoon.

Kuljetus

1. Poista tai kiinnitä koneen kaikki laitteet ja materiaalit ennen siirtämistä putoamisen tai kaatumisen estämiseksi.
2. Aseta leikkuuterä alas-asentoon.
3. Kierrä virtajohto ja jalkakytkimen letku johtokoukun ympärille ja kiinnitä ne kuvan 13 mukaisesti.
4. Nosta kahvasta. Ole varovainen nostamisen ja siirtämisen aikana. Varo koneen painoa.



Kuva 13 – Johto/letku kiedottuna

Säilytys

VAROITUS Sähkökäyttöistä putkileikkuria on säilytettävä kuivassa paikassa sisätiloissa tai hyvin peiteltynä ulkona. Putkileikkuri on säilytettävä lukitussa paikassa lasten ja asiattomien henkilöiden ulottumattomissa. Laite voi aiheuttaa vakavia henkilövahinkoja kouluttamattomien käyttäjien käsissä.

Huolto-ohjeet

⚠ VAROITUS

Varmista ennen huoltoa tai säätöä, että kytkin on O-OFF-asennossa ja kone on irrotettu pistorasiasta.

Huolla leikkuri näiden menetelmäohjeiden mukaisesti sähköiskusta, tarttumisesta ja muista syistä johtuvan tapaturmavaaran pienentämiseksi.

Puhdistus

Puhdista kone jokaisen käytön jälkeen varovasti puhtaalla, kuivalla liinalla. Pidä rullat puhtaina ja puhtaina liasta ja roskista.

Pidä jyrin puhtaana ja lastuttomana maksimitehon varmistamiseksi.

Puhdista kaikki pölyt ja roskat moottorin tuuletusaukoista.

Voitelu

Voitele kuukausittain (tai tarvittaessa useammin) sähkökäyttöisen putkileikkurin kaikki ja PC116TS-tuen kaikki paljaat liikkuvat osat (kuten syöttöruuvi, pikasyöttöjärjestelmä, rullat ja nivelpisteet) ohuella voiteluöljyllä. Pyyhi ylimääräinen öljy pinnoilta.

Leikkuuterän vaihtaminen

Katso oikean leikkuuterän valinta kohdasta *Tekniset tiedot*. Vaihda leikkuuterä, kun leikkaat eri materiaaleja, vaihda leikkuuterä, kun leikkuusärmä on lohkeillut tai sileä. Laitteessa voidaan säilyttää ylimääräistä leikkuuterää. Katso kuva 13.

1. Irrota niveltappi. Teränpidin putoaa irti (kuva 14).



Kuva 14 – Teränpitimen irrottaminen

2. Irrota terätappi ja leikkuuterä/laakeri (kuva 15).
3. Tarkista laakeri. Laakerin tulisi liikkua esteettä. Vaihda tarvittaessa.
4. Asenna leikkuuterä päinvastaisessa järjestyksessä.



Kuva 15 – Leikkuuterän vaihtaminen

Moottorin ylivirtasuojaus

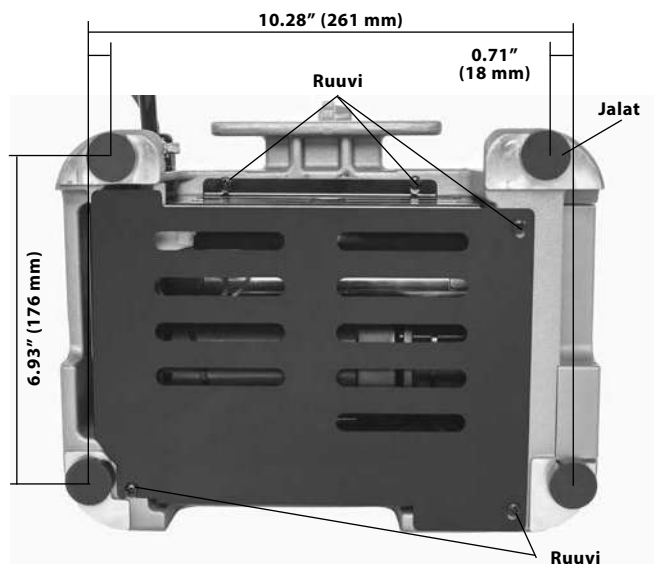
Leikkuri on varustettu ylivirtasuojalla, joka sammuttaa koneen moottorin suojaamiseksi, jos se käyttää liikaa virtaa.

Jos kone sammuu odottamatta, vapauta jalkakytkin. Aseta kytkin O-OFF-asentoon ja irrota kone pistorasiasta. Poista kaikki putket koneesta. Noudata kohtia Tarkastus ennen käyttöä ja Laitteen ja työalueen valmistelu varmistaaksesi, että kone toimii oikein.

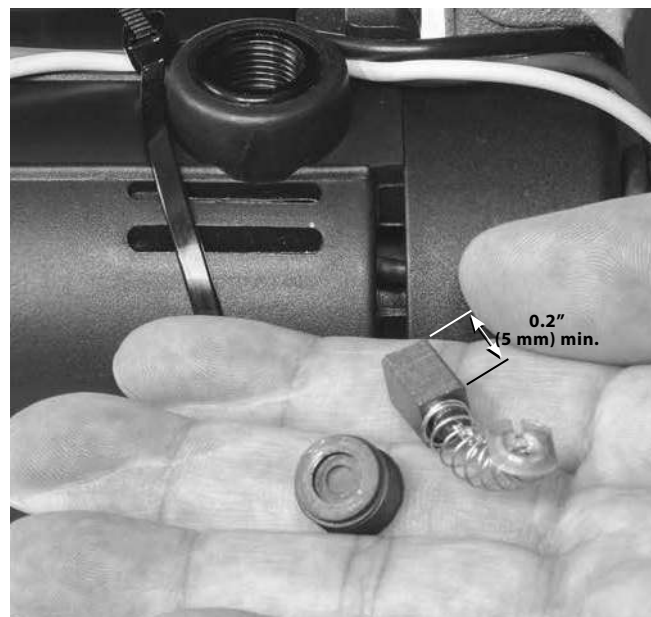
Hiiliharjojen vaihtaminen

Tarkista moottoriharjat kuuden kuukauden välein, harjat tulee vaihtaa, jos pituus on alle 5 mm (0.2").

1. Varmista, että kytkin on O-OFF-asennossa ja kone on irrotettu pistorasiasta.
2. Löysää pohjakannen viisi kiinnitysruuvia (kuva 16) ja irrota kansi (jotkut ruuvit ovat kiinni kannessa).
3. Käytä ruuvitalttaa ja irrota harjasuojukset (kuva 17). Irrota hiiliharjat varovasti ja tarkista pituus (kuva 18). Jos harjan pituus on alle 5 mm (0.2"), vaihda harjat.
4. Aseta harja harjanpitimeen ja kohdista harjan kielekkeet kunnolla harjanpitimen loviin.
5. Kiristä harjan suojukset kunnolla. Asenna pohjakansi takaisin.
6. Kun kone on koottu, käytä konetta II-High-nopeudella viisi minuuttia ilman, että koneessa on putkea, jotta harjat asettuvat paikalleen.

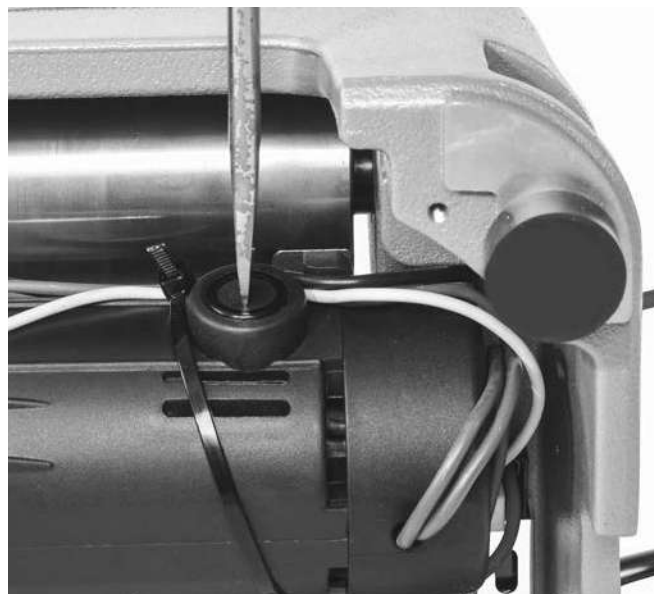


Kuva 16 – Pohjakannen ruuvit



Kuva 18 – Harjan pituuden tarkastus

Skannaa alla oleva QR-koodi päästäksesi PC116/PTC-400:n kirjallisuuteen ja videoon.



Kuva 17 – Harjasuojuksen irrottaminen

Vianmääritys

ONGELMA	MAHDOLLISIA SYITÄ	RATKAISU
Liiallinen ääriä käytön aikana.	Väärä käyttönopeus. Taipuneen putken leikkaaminen. Pitkää putkea ei ole tuettu kunnolla. Konetta ei ole asennettu oikein.	Katso <i>Käyttönopeuden valinta</i> . Älä leikkaa näkyvästi taipunutta putkea. Käytä käsileikkuria. Tue pitkä putki käyttämällä putkitukia. Asenna kone oikein tasaiselle alustalle, kiinnitä asennuspultteilla.
Kone ei leikkaa putkia oikein.	Kulunut leikkuuterä. Käyttö väärällä putkikoolla tai -materiaalilla.	Vaihda kulunut leikkuuterä. Käytä oikealle putkityypille (katso <i>Tekniset tiedot</i>).
Kone pysähtyy leikkaamisen aikana.	Leikkuuterän aggressiivinen syöttö leikkaamisen aikana.	Syötä leikkuuterää varovasti.
Kone ei toimi.	Moottorin harjat ovat kuluneet. Ylivirtasuoja aktivoitunut.	Asenna uudet moottoriharjat. <i>Seuraa moottorin ylivirtaohjeita kohdassa Huolto.</i>
Liikaa putkien purseita tai pään muodonmuutoksia.	Kulunut tai vaurioitunut leikkuuterä. Leikkuuterän aggressiivinen syöttö leikkaamisen aikana.	Vaihda leikkuuterä. Syötä leikkuuterää varovasti.
Kone pysähtyy, kun jalkakytin on painettu. Käynnistyy uudelleen, kun jalkakytintä painetaan uudestaan.	Reikä jalkakytinissä/letkussa. Ilmakytkin vuotaa.	Vaihda jalkakytin. Jos jalkakytimestä/letkusta ei löytynyt vikaa, vaihda ilmakytkin.

Huolto ja korjaus

⚠ VAROITUS

Epätäydellisen huollon tai korjauksen jälkeen koneen käyttö ei välttämättä ole enää turvallista.

Huolto-ohjeet kattavat useimmat tämän koneen huolto- tarpeista. Jos esiintyy ongelmia, jota ei mainita tässä kohdassa, ne saa korjata vain valtuutettu RIDGID-huolto. Käytä ainoastaan RIDGID-varaosia.

Lisätietoja lähimmästä valtuutetusta RIDGID-huollosta ja mahdollisista huoltoon ja korjauksiin liittyvissä kysymyksissä on annettu tämän ohjekirjan kohdassa *Yhteystiedot*.

Lisävarusteet

⚠ VAROITUS

Pienennä vakavan loukkaantumisen vaaraa käyttämällä ainoastaan lisälaitteita, jotka on suunniteltu sähkökäyttöiselle PC116/PTC-400-putkileikkurille. Näitä ovat esimerkiksi luetellut varusteet.

Luettelo nro	Kuvaus
64903	PC116TS-putkituki käytettäväksi PC116/PTC-400:n kanssa
66253	PC116 220-240V moottorin hiiliharja
66248	PC116 100-120V moottorin hiiliharja
56662	VJ-99 28" - 52" Korkea V-putkituki
64908	1375 Jyrsin PC116/PTC-400:lle
66938	E850 Leikkuuterä (metalliputkelle)
66943	E855 Leikkuuterä (muoviputkelle)
64898	Leikkuuterän laakeri

Täydellinen luettelo näille työkaluille saatavista RIDGID-varusteista, katso Ridge-työkaluluettelo osoitteessa RIDGID.com tai katso *kohta Yhteystiedot*.

Hävittäminen

Näiden työkalujen osat sisältävät arvokkaita materiaaleja, jotka voidaan kierrättää. Tällaisesta kierrätyksestä huolehtivat paikalliset erikoisyrietykset. Komponentit on hävitettävä kaikkien soveltuvien säännösten mukaan. Pyydä lisätietoja paikallisilta jätehuoltoviranomaisilta.



EU-maat: Älä hävitä sähkölaitteita kotitalousjätteen mukana!

EU:n sähkö- ja elektroniikkalaiteromudirektiivin 2012/19/EU ja sen kansallisen lainsäädännön täytäntöönpanon mukaan käytöstä poistetut sähkölaitteet on kerättävä erikseen ja hävitettävä tavalla, joka ei vahingoita ympäristöä.

Obcinak do rurek

PC116/PTC-400 Elektryczny obcinak do rurek



⚠ OSTRZEŻENIE!

Przed przystąpieniem do użytkowania narzędzia prosimy dokładnie przeczytać tę instrukcję obsługi. Niedopełnienie obowiązku przyswojenia i stosowania się do zaleceń zawartych w niniejszym podręczniku obsługi może spowodować porażenie prądem, pożar i/lub poważne obrażenia.

PC116/PTC-400 Elektryczny obcinak do rurek

Zapisz poniżej numer seryjny i numer seryjny produktu umieszczony na etykiecie z nazwą.

Nr seryjny.

Spis treści

Zapisywanie numeru seryjnego maszyny	179
Symbole ostrzegawcze	181
Informacje ogólne dotyczące bezpieczeństwa narzędzi elektrycznych	181
Bezpieczeństwo w miejscu pracy	181
Bezpieczeństwo związane z elektrycznością.....	181
Bezpieczeństwo osobiste	182
Użytkowanie i konserwacja narzędzia elektrycznego.....	182
Serwis.....	183
Informacje dotyczące bezpieczeństwa	183
Informacje kontaktowe RIDGID	183
Opis	183
Dane techniczne	184
Wyposażenie standardowe	185
Montaż	185
Montaż na stole warsztatowym	185
Przegląd przed rozpoczęciem pracy	185
Przygotowanie maszyny i obszaru roboczego	186
Stojak PC116TS / Regulacja.....	186
Instrukcja obsługi	187
Regulacja obcinaka do różnych rozmiarów rur	188
Wybór/zmiana prędkości roboczej	188
Cięcie rury	189
Rozwiercanie rury	190
Transport	190
Przechowywanie	191
Instrukcje konserwacji	191
Czyszczenie	191
Smarowanie	191
Wymiana krążka obcinaka	191
Zabezpieczenie nadprądowe silnika	192
Wymiana szczotek silnika.....	192
Rozwiązywanie problemów.....	194
Serwis i naprawa.....	194
Wyposażenie opcjonalne	194
Utylizacja	195
Deklaracja zgodności	Wewnętrzna tylna okładka
Dożywotnia gwarancja	Tylna okładka

* Tłumaczenie instrukcji oryginalnej

Symbole ostrzegawcze

W tej instrukcji obsługi oraz na produkcie użyto znaków i słów ostrzegawczych, które służą do zakomunikowania ważnych informacji dotyczących bezpieczeństwa. W tym rozdziale objaśniono znaczenie słów i znaków ostrzegawczych.



To jest symbol alertu bezpieczeństwa. Ostrzega przed potencjalnym ryzykiem odniesienia obrażeń ciała. Przestrzeganie wszystkich zasad bezpieczeństwa, które występują po tym symbolu, pozwoli uniknąć obrażeń lub śmierci.

⚠ NIEBEZPIECZEŃSTWO

NIEBEZPIECZEŃSTWO oznacza ryzyko wystąpienia sytuacji, która grozi śmiercią lub poważnymi obrażeniami, jeśli jej się nie zapobiegnie.

⚠ OSTRZEŻENIE

OSTRZEŻENIE oznacza ryzyko wystąpienia sytuacji, która może spowodować śmierć lub poważne obrażenia, jeśli jej się nie zapobiegnie.

⚠ UWAGA

UWAGA oznacza ryzyko wystąpienia sytuacji, która może spowodować małe lub średnie obrażenia, jeśli jej się nie zapobiegnie.

NOTATKA

NOTATKA oznacza informację dotyczącą ochrony mienia.



Ten symbol oznacza, że należy dokładnie przeczytać instrukcję obsługi, zanim zaczniesz się korzystać z urządzenia. Instrukcja obsługi zawiera ważne informacje dotyczące bezpieczeństwa i prawidłowej obsługi sprzętu.



Ten symbol zawsze oznacza, że należy założyć okulary ochronne z bocznymi osłonami lub gogle podczas obsługi tego urządzenia, aby zmniejszyć ryzyko obrażeń oczu.



Ten symbol oznacza ryzyko porażenia prądem.



Ten symbol oznacza ryzyko przytrzaśnięcia lub wciągnięcia przez rolki bądź inne części ruchome palców lub innych części ciała.



Ten symbol wskazuje na ryzyko przecięcia dłoni, palców lub innych części ciała przez wirujące lub ruchome elementy urządzenia.



Ten symbol wskazuje na ryzyko przewrócenia urządzenia, w wyniku którego powstają obrażenia udarowe lub zmiżdżenia.



Ten symbol nakazuje zdjęcie rękawic podczas obsługi tego narzędzia w celu zmniejszenia ryzyka zaplątania.

Informacje ogólne dotyczące bezpieczeństwa narzędzi elektrycznych*

⚠ OSTRZEŻENIE

Należy zapoznać się ze wszystkimi ostrzeżeniami, instrukcjami, ilustracjami i parametrami dotyczącymi bezpieczeństwa, dostarczonymi z tym narzędziem elektrycznym. Niestosowanie się do wszystkich poniższych instrukcji może spowodować porażenie prądem elektrycznym, pożar i/lub poważne obrażenia ciała.

ZACHOWAĆ WSZYSTKIE OSTRZEŻENIA I INSTRUKCJE NA PRZYSZŁOŚĆ!

Termin "narzędzie elektryczne" występujący w ostrzeżeniach, odnosi się do urządzeń elektrycznych zasilanych z sieci (przewodowych) lub zasilanych z baterii (beprzewodowych).

Bezpieczeństwo w miejscu pracy

- **Należy utrzymywać miejsce pracy w czystości i dobrze oświetlone.** Nieuporządkowane lub ciemne miejsce pracy zwiększa ryzyko wypadku.

- **Nie używać narzędzi elektrycznych w atmosferze wybuchowej, takiej jak przy występowaniu łatwopalnych cieczy, gazów lub pyłów.** Narzędzia elektryczne generują iskry, które mogą spowodować zapłon pyłu lub oparów.
- **Trzymać dzieci i inne osoby postronne z dala podczas obsługi elektronarzędzi.** Odwrócenie uwagi może doprowadzić do utraty kontroli.

Bezpieczeństwo związane z elektrycznością

- **Wtyczka narzędzia elektrycznego musi pasować do gniazdka zasilania. Nie modyfikować w żaden sposób wtyczki. Nie stosować żadnych adapterów przy podłączaniu do gniazdka uziemionych narzędzi elektrycznych.** Pozostawianie bez zmian oryginalnych wtyczek i używanie ich w pasujących gniazdach zmniejsza ryzyko porażenia prądem elektrycznym.
- **Unikać kontaktu ciała z powierzchniami uziemionymi lub połączonymi z masą, takimi jak rury, grzejniki, piekarniki i lodówki.** Ryzyko porażenia prądem wzrasta, gdy ciało ma styczność z uziemieniem lub masą.
- **Nie narażać narzędzi elektrycznych na działanie deszczu lub wilgoci.** Woda przedostająca się do wnętrza narzędzia elektrycznego zwiększa ryzyko porażenia prądem elektrycznym.

* Tekst w rozdziale Informacje ogólne dotyczące bezpieczeństwa narzędzi elektrycznych niniejszego podręcznika jest zgodnie z wymogiem dosłownym cytowaniem stosownej normy edycji UL/CSA/EN 62841-1. Ten rozdział zawiera ogólne praktyki bezpieczeństwa dotyczące wielu różnych typów narzędzi elektrycznych. Nie wszystkie ostrzeżenia mają zastosowanie do każdego narzędzia, a niektóre nie mają zastosowania do tego narzędzia.

- **Nie wolno nadwyręzać przewodu. Nigdy nie używać przewodu do przenoszenia, ciągnięcia lub wyjmowania z gniazdka wtyczki narzędzia elektrycznego. Chronić przewód przed gorącem, ostrymi krawędziami lub poruszającymi się częściami.** Uszkodzone lub splątane przewody elektryczne zwiększają ryzyko porażenia prądem.
- **Podczas pracy narzędziem elektrycznym na zewnątrz należy stosować przedłużacz odpowiedni do użytku na wolnym powietrzu.** Stosowanie przedłużacza odpowiedniego do użytku na otwartym powietrzu zmniejsza ryzyko porażenia prądem.
- **Jeżeli nie można uniknąć pracy w wilgotnym środowisku, należy zastosować zasilanie z wyłącznikiem różnicowo-prądowym (GFCI).** Stosowanie wyłącznika GFCI zmniejsza ryzyko porażenia prądem elektrycznym.

Bezpieczeństwo osobiste

- **Podczas pracy z narzędziem elektrycznym należy zachować czujność, ostrożność i kierować się zdrowym rozsądkiem. Nie należy używać elektronarzędzi w stanie zmęczenia lub będąc pod wpływem narkotyków, alkoholu lub leków.** Chwila nieuwagi podczas pracy narzędziem elektrycznym może doprowadzić do poważnych obrażeń ciała.
- **Należy stosować środki ochrony osobistej. Zawsze należy stosować ochronę oczu.** Odpowiednie środki ochrony osobistej, takie jak maska przeciwpyłowa, nieślizgające się obuwie ochronne, kask lub ochrona słuchu stosowane w odpowiednich okolicznościach, zmniejszają ryzyko obrażeń.
- **Zapobiegać przypadkowemu uruchomieniu. Upewnić się, że przed podłączeniem urządzenia do prądu i/lub pakietu akumulatorów, podnoszeniem i przenoszeniem urządzenia, przełącznik znajduje się w położeniu OFF.** Przenoszenie narzędzi elektrycznych z palcem umieszczonym na przełączniku lub podłączanie narzędzi elektrycznych, które mają przełącznik przestawiony w położenie ON, stwarza ryzyko wypadku.
- **Przed włączeniem narzędzia elektrycznego należy zdjąć z niego wszystkie klucze lub narzędzia służące do jego regulowania.** Urządzenie regulacyjne lub klucz założone na obracającej się części elektronarzędzia może spowodować obrażenia.
- **Nie sięgać za daleko. Przez cały czas utrzymywać odpowiednie oparcie dla stóp i równowagę.** Zapewni to lepszą kontrolę narzędzia elektrycznego w niespodziewanych sytuacjach.
- **Nosić odpowiednią odzież. Nie nosić luźnej odzieży ani biżuterii. Włosy i odzież trzymać z dala od części ruchomych.** Luźna odzież, biżuteria lub długie włosy mogą zostać pochwycone przez części ruchome.
- **Jeżeli urządzenie jest wyposażone w przyłącznie odciągu pyłu i elementy zbierające, upewnić się, że są właściwie podłączone i działają prawidłowo.** Zbieranie pyłu może zmniejszyć ryzyko związane z zapyleniem.
- **Nie wolno dopuścić, aby rutyna płynąca z częstego używania doprowadziła do bezmyślnej obsługi i lekceważenia zasad bezpieczeństwa.** W ułamku sekundy bez troska może doprowadzić do poważnych obrażeń.

Użytkowanie i konserwacja narzędzia elektrycznego

- **Nie przeciążać narzędzia elektrycznego. Używać narzędzia elektrycznego odpowiedniego do danego zastosowania.** Właściwe narzędzie elektryczne zostało zaprojektowane tak, by wykonać pracę lepiej i bezpieczniej.
- **Nie używać narzędzia elektrycznego, jeśli wyłącznik nie działa prawidłowo.** Każde narzędzie elektryczne, nie dające się kontrolować za pomocą wyłącznika jest niebezpieczne i musi zostać naprawione.
- **Przed dokonaniem jakichkolwiek regulacji, wymianą wyposażenia dodatkowego lub przechowywaniem narzędzia z napędem elektrycznym należy odłączyć je od źródła zasilania i/lub wyjąć akumulator.** Takie środki ostrożności zapobiegają przypadkowemu uruchomieniu narzędzia elektrycznego.
- **Przechowywać beczynne narzędzia elektryczne z dala od dzieci i nie pozwalać osobom nieprzeszkolonym do pracy z urządzeniami elektrycznymi na używanie tych narzędzi.** Narzędzia elektryczne w rękach niewykształconych użytkowników stają się niebezpieczne.
- **Odpowiednio konserwować narzędzia elektryczne. Sprawdzić części ruchome pod kątem niewłaściwej regulacji lub ocierania, uszkodzenia części i wszystkich innych warunków, mających wpływ na pracę narzędzia elektrycznego. W razie wykrycia uszkodzenia narzędzia elektrycznego należy je naprawić przed użyciem.** Wiele wypadków spowodowanych jest przez niewłaściwie serwisowane narzędzia elektryczne.
- **Narzędzia do cięcia powinny być przez cały czas ostre i czyste.** Właściwie konserwowane narzędzia do cięcia z ostrymi krawędziami tnącymi są łatwiejsze do kontrolowania i nie blokują się tak często.
- **Używać narzędzia elektrycznego, wyposażenia dodatkowego i końcówek narzędziowych itp. zgodnie z tymi instrukcjami, uwzględniając warunki robocze i pracę do wykonania.** Używanie narzędzi elektrycznych w czynnościach innych niż te, do których są przeznaczone, może doprowadzić do sytuacji niebezpiecznej.

- **Uchwyty i powierzchnie chwytu utrzymywać w stanie suchym, czystym i wolne od oleju oraz smarów.** Śliskie uchwyty i powierzchnie chwytu uniemożliwiają bezpieczną obsługę i kontrolę narzędzia w niespodziewanych sytuacjach.

Serwis

- **Serwisowanie narzędzia elektrycznego należy powierzać wykwalifikowanej osobie używającej wyłącznie identycznych części zapasowych.** Dzięki temu zachowane zostanie bezpieczeństwo narzędzia elektrycznego.

Informacje dotyczące bezpieczeństwa

⚠ OSTRZEŻENIE

Ten rozdział zawiera ważne informacje dotyczące bezpieczeństwa użytkowania tego narzędzia.

Przed podjęciem pracy z elektrycznym obcinakiem do rurek PC116/PTC-400 należy dokładnie zapoznać się z niniejszymi zaleceniami, aby zmniejszyć ryzyko porażenia prądem elektrycznym lub poważnych obrażeń.

ZACHOWAĆ WSZYSTKIE OSTRZEŻENIA I INSTRUKCJE NA PRZYSZŁOŚĆ!

Przechowywać ten podręcznik wraz z urządzeniem do użytku przez operatora.

- **Podczas obsługi elektrycznego obcinaka do rurek nie nosić rękawic ani luźnej odzieży. Zapinać rękawy i kurtki.** Nie sięgać ręką przez urządzenie. Urządzenie może pochwycić odzież, powodując uwięźnięcie.
- **Nie zbliżać rąk do obracających się części, takich jak rolki, rozwiertak, krążek obcinaka i rura. Przed chwyceniem dłonią narzędzia lub rury poczekać, aż elementy ruchome całkowicie się zatrzymają.** Takie działanie zmniejsza ryzyko pochwycenia przez wirujące części.
- **Przymocować maszynę do stabilnego stołu warsztatowego lub stojaka. Należy prawidłowo podpierać rury.** Przestrzeganie tego zalecenia zmniejsza ryzyko uderzenia i zmiążdżenia w wyniku przewrócenia się maszyny i upadku rury.
- **Nie wolno ciąć wyraźnie wygiętych rur ani rur z zamontowanym osprzętem.** Przestrzeganie tego zalecenia zmniejsza ryzyko nadmiernych wibracji i utraty kontroli nad maszyną i/lub rurami.
- **Zawsze stosować odpowiednią ochronę oczu i odpowiednie środki ochrony osobistej.** Narzędzia tnące mogą się złamać lub pęknąć. Przestrzeganie tego zalecenia zmniejsza ryzyko odniesienia obrażeń ciała.

- **Jedna osoba musi kontrolować przebieg pracy i wyłącznik nożny.** Gdy maszyna jest włączona, w obszarze roboczym powinien znajdować się tylko operator. Zmniejszy to ryzyko obrażeń.
- **Aby zmniejszyć ryzyko odniesienia poważnych obrażeń ciała, przed przystąpieniem do pracy z tą maszyną należy dokładnie zapoznać się z niniejszą instrukcją oraz ostrzeżeniami i instrukcjami wszelkiego używanego sprzętu i obrabianego materiału.**

Informacje kontaktowe RIDGID

W razie jakichkolwiek pytań dotyczących tego produktu RIDGID® należy:

- Skontaktować się z lokalnym dystrybutorem firmy RIDGID®.
- Należy odwiedzić stronę RIDGID.com w celu znalezienia lokalnego punktu kontaktowego RIDGID.
- Skontaktować się z Działem Pomocy Technicznej firmy Ridge Tool po adresem rttechservices@emerson.com lub w USA i Kanadzie zadzwonić na numer (800) 519-3456.

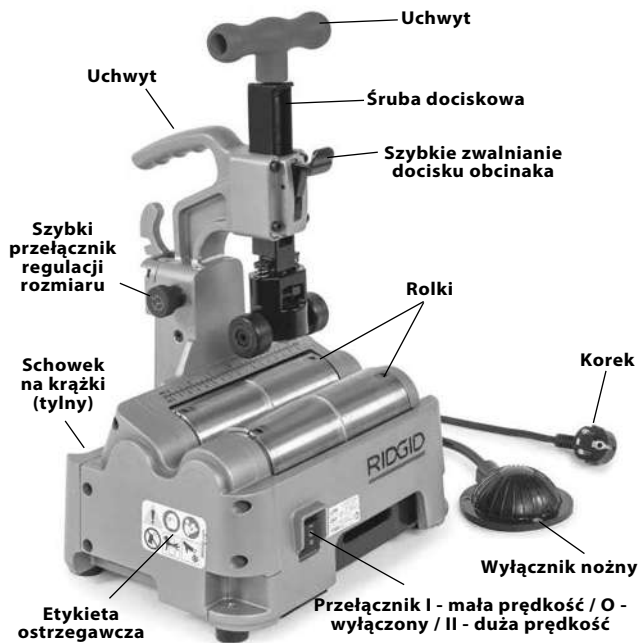
Opis

Elektryczny obcinak do rurek PC116/PTC-400 RIDGID® jest przeznaczony do cięcia rur/przewodów metalowych i plastikowych o średnicy nominalnej od ½" do 4" (od 12 do 100 mm).

Dwubiegowy przełącznik prędkości służy do regulacji prędkości obrotowej rolek, a pneumatyczny przełącznik nożny umożliwia WŁĄCZANIE/WYŁĄCZANIE silnika. Maszyna jest wyposażona w podziałkę do pomiaru rur. Elektryczny obcinak do rurek jest lekki i ma konstrukcję kompaktową, co ułatwia transport.

Opcjonalnie dostępny jest rozwiertak do usuwania zadziorów z wewnętrznej strony rur o średnicy do 2" (50 mm).

Obcinak do rurek nie jest przeznaczony do cięcia rur.



Rysunek 1 – Elektryczny obcinak do rurek PC116/PTC-400 RIDGID®



Rysunek 2 – Numer seryjny maszyny

Numer seryjny znajduje się z boku obcinaka. Ostatnie 4 cyfry określają miesiąc i rok produkcji. (10 = miesiąc, 19 = rok).

Dane techniczne

Zakres nominalnych średnic ciętych rur..... 1/2" do 4" (12 mm do 100 mm)

Zakres rzeczywistych średnic ciętych rur..... 1/2" do 4.5" (12 mm do 116 mm)

Materiał rury/ przewodu*	Maksymalna grubość ścianki	Krążek obcinaka	
		E-850 Nr kat. 66938	E-855 Nr kat. 66943
Stal węglowa	0.1" (2,5 mm)	X	
Stal nierdzewna	0.1" (2,5 mm)	X	
Aluminium	0.1" (2,5 mm)	X	
miedź	0.1" (2,5 mm)		X
Tworzywo sztuczne	0.23" (6 mm)		X

* Wyłącznie ogólna wytyczna Skład materiału, twardość i inne czynniki wpływają na zdolność do cięcia, żywotność krążka, tworzenie się zadziorów itp.

Nominalny zakres średnic rozwierczanych rur..... 1/2" do 2" (12 mm do 50 mm)
(akcesorium opcjonalne)

Maks. długość rury20' (6 m)

Silnik

Typ.....	Uniwersalny	
Napięcie.....	100-120V	220-240V
Prąd.....	5,8 A	3,0 A
Częstotliwość.....	50/60 Hz	50/60 Hz
Moc.....	705W	705 W

Informacje dotyczące konkretnego urządzenia znaleźć można na tabliczce znamionowej.

Prędkość obrotowa rolek 190/363 obr./min przy 220-240 V,
225/385 obr./min przy 100-120 V

Elementy sterujące..... Przełącznik I - mała prędkość /
O - wyłączony / II - duża prędkość i
wyłącznik nożny

Masa.....	32 lbs. (14,5 kg)
Wymiary całkowite	
D x S x W.....	11.6" x 9.4" x 15.9" (295 mm x 239 mm x 403 mm)
Temperatura robocza.....	-4°F do 122°F (-20°C do 50°C)
Ciśnienie akustyczne (L _{PA})*	82,3 dB(A), K=3
Moc akustyczna (L _{WA})*	93,3 dB(A), K=3

* Pomiary dźwięku są dokonywane zgodnie ze standaryzowanymi badaniami zgodnymi z Normą EN 62481-1.

- Emisja dźwięku może się różnić w zależności od położenia i konkretnego zastosowania narzędzi.

- Poziomy dziennego narażenia na dźwięk muszą zostać oszacowane dla każdego zastosowania, a także zastosowane odpowiednie środki zapobiegawcze, jeśli zajdzie taka potrzeba. Oszacowanie poziomów narażenia powinno uwzględniać czas, gdy narzędzie jest WYŁĄCZONE i nie jest w użytku. Może to drastycznie zmniejszyć poziom narażenia w całkowitym czasie pracy.

Wyposażenie standardowe

Szczegółowe informacje dotyczące dostarczonego wyposażenia wraz z właściwymi numerami katalogowymi maszyny podano w katalogu.

NOTATKA Za wybór odpowiednich materiałów oraz metod montażu, łączenia i formowania odpowiedzialni są projektant i/lub monter instalacji. Wybór niewłaściwych materiałów i metod może prowadzić do awarii instalacji.

Stal nierdzewna i inne odporne na korozję materiały mogą ulec zanieczyszczeniu podczas montażu, łączenia i formowania. Takie zanieczyszczenie może być przyczyną korozji i przedwczesnej awarii. Przed przystąpieniem do montażu należy przeprowadzić dokładną ocenę materiałów oraz metod dla specyficznych warunków pracy, w tym chemikaliów i temperatury.

Aby zmniejszyć ryzyko zanieczyszczenia stali nierdzewnej żelazem, należy upewnić się, że rolki są czyste i wolne od drobnych zanieczyszczeń stałych. Dokładnie wyczyścić rolki szczotką ze stali nierdzewnej. Przed cięciem rur ze stali nierdzewnej należy wymienić krążek obcinaka i rozwiertak. Najlepszą praktyką jest przeznaczenie obcinaka do stali nierdzewnej.

Montaż

⚠ OSTRZEŻENIE

Aby zmniejszyć ryzyko poważnych obrażeń podczas użytkowania, należy postępować zgodnie z poniższymi procedurami prawidłowego montażu. Przed montażem wyłącznik powinien być ustawiony w położeniu OFF (WYŁ.) i maszyna powinna być odłączona od zasilania.

Montaż na stole warsztatowym

Maszynę można montować na wypoziomowanym, stabilnym stole warsztatowym. Aby zamontować urządzenie na stole warsztatowym, należy odkręcić gumowe nóżki w czterech narożnikach podstawy maszyny (patrz rysunek 16) i użyć śrub M8 do zamocowania urządzenia na stole. Mocno dokręcić śruby.

Przegląd przed rozpoczęciem pracy

⚠ OSTRZEŻENIE



Przed każdym użyciem należy dokonać przeglądu elektrycznego obcinaka do rurek i usunąć wszelkie problemy, aby zmniejszyć ryzyko poważnych obrażeń ciała na skutek porażenia prądem elektrycznym, pochwycenia, zmiążdżenia i z innych przyczyn oraz zapobiec uszkodzeniu maszyny.

1. Upewnić się, że elektryczny obcinak do rur jest odłączony od gniazdka zasilania elektrycznego.
2. Wyczyścić maszynę i wyposażenie włącznie z uchwytami i elementami sterującymi. Ułatwi to przegląd i sprawi, że całe narzędzie lub element sterowania nie wyślizgnie się z ręki operatora. Wyczyścić i zakonserwować maszynę zgodnie z instrukcjami konserwacji.
3. Skontrolować elektryczny obcinak do rurek w następującym zakresie:
 - Sprawdzić pod kątem uszkodzenia przewodów i wtyczek elektrycznych oraz ich modyfikacji;
 - Właściwy montaż, konserwację i kompletność maszyny.
 - Wszelkie uszkodzone, zużyte, zakleszczone części lub ich brak oraz inne uszkodzenia.
 - Obecność i wyłącznika nożnego w wyposażeniu oraz jego działanie. Upewnić się, że wyłącznik nożny jest podłączony, jest w dobrym stanie techniczny oraz włącza się i wyłącza płynnie, bez zakleszczania.
 - Sprawdzić pod kątem swobodnego ruchu śruby dociskowej, krążka obcinaka i rolek nośnych.
 - Sprawdzić, czy tabliczki ostrzegawcze znajdują się na swoich miejscach i czy są czytelne (zob. Rysunek 1).
 - Sprawdzić pod kątem zużycia, zdeformowania, wyszczerbień lub innych usterek krawędzi tnących krążka obcinaka i rozwiertaka. Tępe, uszkodzone lub luźne krążki obcinaka mogą uszkodzić narzędzie, spowodować słabą jakość cięcia i zwiększyć ryzyko obrażeń.
 - W przypadku korzystania ze stojaka/stojaków PC116TS należy go/je wyczyścić, skontrolować i nasmarować w razie potrzeby.
 - Sprawdzić pod kątem wszelkich usterek, które mogą negatywnie wpłynąć na bezpieczne, normalne działanie.

W razie stwierdzenia jakichkolwiek problemów, nie używać narzędzia do chwili usunięcia usterek.

4. Dokonać przeglądu i konserwacji całego innego sprzętu używanego zgodnie z instrukcjami, aby upewnić się co do jego prawidłowego działania.

Przygotowanie maszyny i obszaru roboczego

⚠ OSTRZEŻENIE



Ustawić elektryczny obcinak do rurek i zorganizować obszar roboczy zgodnie z tymi procedurami,

aby zmniejszyć ryzyko poważnych obrażeń spowodowanych porażeniem prądem, pochwyceniem, zmiążdżeniem i innymi przyczynami oraz zapobiec uszkodzeniu maszyny.

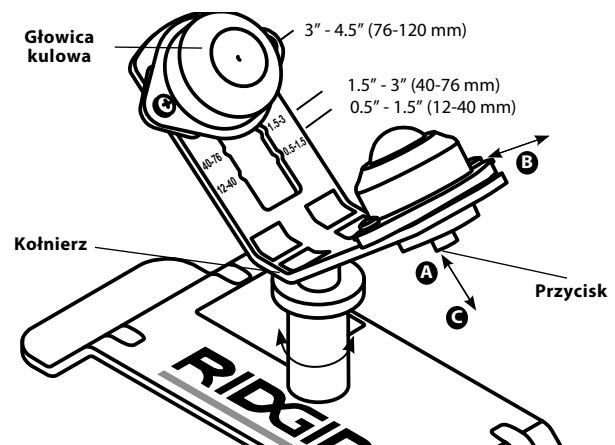
1. Sprawdzić obszar roboczy pod względem:
 - odpowiedniego oświetlenia;
 - łatwopalne ciecze, opary lub pyły, które mogą zapalić się. Jeśli one występują, nie pracować na tym obszarze, dopóki źródła tych zanieczyszczeń nie zostaną rozpoznane i usunięte. Obcinak nie jest odporny na wybuchy i może powodować iskrzenie.
 - Czyste, równe, stabilne i suche miejsce dla wszystkich urządzeń i operatora.
 - Prawidłowo uziemione gniazdo elektryczne o odpowiednim napięciu. Sprawdzić plakietkę z numerem seryjnym maszyny, aby poznać prawidłowe napięcie. Gniazdo trójbolcowe lub gniazdo z wyłącznikiem GFCI może nie być właściwie uziemione. W razie wątpliwości należy zlecić przegląd gniazdka uprawnionemu elektrykowi.
2. Sprawdzić pracę, którą należy wykonać. Określić materiał, typ i rozmiar rury. Określić właściwe oprzyrządowanie dla danego zadania. *Patrz punkt „Dane techniczne”*
3. Potwierdzić, że wyposażenie, które ma być użyte, zostało prawidłowo sprawdzone i zmontowane.
4. Ustawić maszynę na płaskiej, równej, stabilnej powierzchni. Sprawdzić punkt „Montaż na stole warsztatowym” w rozdziale Montaż Potwierdzić, że urządzenie jest stabilne i bezpieczne.
5. Jeśli rura będzie wystawać więcej niż 6" (15 cm) poza urządzenie, należy użyć co najmniej jednego stojaka do podparcia rury. Ustawić stojaki w jednej linii z rolkami. Dłuższa rura może wymagać zastosowania więcej niż jednego stojaka. Używać wyłącznie stojaków przeznaczonych do tego celu. Użycie nieprawidłowych podpór lub podtrzymywanie rury ręką może spowodować

przechylenie się maszyny i obrażenia ciała wynikające z pochwycenia. Nie wolno przekraczać oznaczonej nośności stojaka. Gdy obcinak i stojak znajdują się w tej samej płaszczyźnie, do podparcia rury należy użyć stojaka do rur PC116TS RIDGID.

W przypadku pracy na stole warsztatowym lub innym podwyższonym obszarze roboczym, do podparcia rury można użyć różnych stojaków do rur RIDGID. W przypadku gdy PC116/PTC-400 stoi na podłożu, do podparcia rury należy użyć stojaka do rur PC116TS RIDGID. *Patrz rys. 3.*



Rysunek 3 – Umiejscowienie stojaka






Rysunek 4 – Regulacja stojaka PC116TS

Stojak PC116TS / Regulacja

Stojak PC116TS jest opcjonalnym wyposażeniem przeznaczonym do użycia z obcinakiem PC116/PTC-400 i nie jest przeznaczony do innych zastosowań.

Aby dopasować głowice kulowe do rozmiaru rury:

- Nacisnąć przycisk 
- Przesunąć głowicę kulową w położenie odpowiadające prawidłowemu rozmiarowi rury (patrz Rysunek 4) 
- Zwolnić przycisk – potwierdzić bezpieczne ustawienie 

Aby wyregulować wysokość stojaka, obrócić kołnierzyk, aby podnieść lub obniżyć głowicę stojaka. Stojak jest przeznaczony do ustawiania na tej samej płaskiej powierzchni co obcinak PC116/PTC-400. Patrz rys. 3. W razie potrzeby do podwyższenia stojaka można użyć odpowiednich przekładek (np. kawałka drewna).

- Ograniczyć dostęp lub ustawić barierki w celu uzyskania wolnego obszaru o promieniu co najmniej 3 stóp (1 m) wokół maszyny i rury. Pozwoli to zapobiec zetknięciu się osób nieupoważnionych z maszyną lub rurą i zmniejszy ryzyko przechylenia się maszyny lub pochwylenia.
- Ustawić wyłącznik nożny w sposób przedstawiony na Rysunku 8 aby umożliwić sobie zajęcie właściwej pozycji roboczej.
- Przy przełączniku w pozycji O-OFF (WYŁ.) poprowadzić przewód elektryczny po pozbawionej przeszkód drodze. Suchymi rękami włożyć wtyczkę przewodu do właściwie uziemionego gniazdka. Utrzymywać wszystkie połączenia elektryczne w stanie suchym i z dala od podłoża. Jeśli przewód zasilający nie jest wystarczająco długi, użyć przedłużacza, który:
 - Jest w dobrym stanie technicznym.
 - Ma trzybolcową wtyczkę, taką samą, w jaką wyposażony jest obcinak do rurek.
 - Jest przeznaczona do użytku na otwartym powietrzu.
 - Ma wystarczający rozmiar żył. Do przedłużaczy o długości do 50' (15,2 m) należy stosować żyły o przekroju 14 AWG (2,5 mm²) lub grubsze. W przypadku przedłużaczy o długości 50'-100' (15,2-30,5 m) stosować żyły 12 AWG (2,5 mm²) lub grubsze.
- Sprawdzić czy elektryczny obcinak do rurek działa prawidłowo. Czystymi dłońmi

- Przesunąć przełącznik prędkości w położenie małej prędkości (I-LOW). Nacisnąć i zwolnić wyłącznik nożny. Rolki powinny obracać się zgodnie ze strzałkami znajdującymi się na Rysunku 5. Jeśli maszyna nie obraca się w prawidłowym kierunku lub nie można sterować maszyną za pomocą wyłącznika nożnego, nie wolno jej używać, dopóki nie zostanie naprawiona.
- Nacisnąć i przytrzymać wyłącznik nożny. Dokonać przeglądu części ruchomych pod kątem właściwego ustawienia w osi, zacinania, nietypowych odgłosów

lub innych nienormalnych warunków. Zdjąć stopę z wyłącznika nożnego. W razie zaobserwowania nietypowych objawów, nie używać gwintarki, dopóki nie zostanie naprawiona.

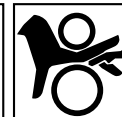


Rysunek 5 – Kierunek obrotów rolek

- Przesunąć przełącznik prędkości w położenie O-OFF (WYŁ.) i suchymi rękoma wyjąć wtyczkę przewodu zasilającego z gniazda.

Instrukcja obsługi

OSTRZEŻENIE



Podczas obsługi elektrycznego obcinaka do rurek nie nosić rękawic ani luźnej odzieży. Zapinać rękawy i

kurtki. Nie sięgać ręką przez urządzenie. Urządzenie może pochwylić odzież, powodując uwięzienie.

Nie zbliżać rąk do obracających się części, takich jak rolki, rozwiertak, krążek obcinaka i rura. Przed chwyceniem dłonią narzędzia lub rury poczekać, aż elementy ruchome całkowicie się zatrzymają. Takie działania zmniejsza ryzyko pochwylenia przez wirujące części.

Należy prawidłowo podpierać rury. Przestrzeganie tego zalecenia zmniejsza ryzyko uderzenia i zmiżdżenia w wyniku przewrócenia się maszyny i upadku rury.

Jedna osoba musi kontrolować zarówno przebieg pracy, jak i wyłącznik nożny. Gdy maszyna jest włączona, w obszarze roboczym powinien znajdować się tylko operator. Zmniejszy to ryzyko obrażeń.

Aby zmniejszyć ryzyko poważnych obrażeń spowodowanych porażeniem prądem elektrycznym, pochwyleniem, zgnieceniem i innymi przyczynami oraz zapobiec uszkodzeniu maszyny, należy przestrzegać instrukcji obsługi.

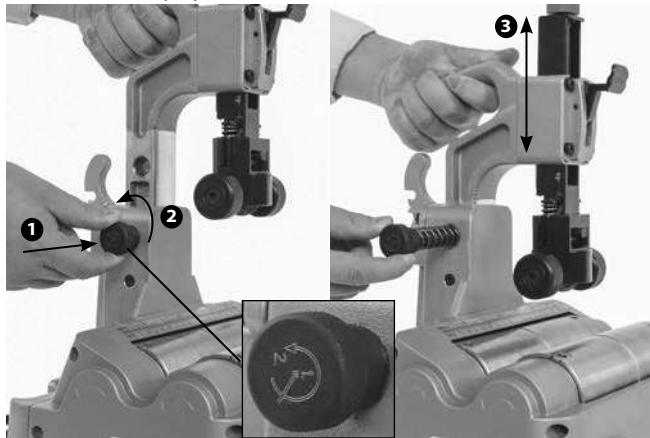
Upewnić się, że maszyna i obszar roboczy są właściwie przygotowane i na obszarze roboczym nie znajdują się osoby

postronne i inne czynniki odwracające uwagę. W obszarze, w którym pracuje maszyna, może przebywać wyłącznie operator.

Regulacja obcinaka do różnych rozmiarów rur

Szybki przełącznik regulacji rozmiaru

Szybki przełącznik regulacji rozmiaru umożliwia szybkie przełączanie pomiędzy zakresami rozmiarów średnic rur: 2" (50 mm) i mniejszych oraz 2" do 4" (50 mm do 100 mm).



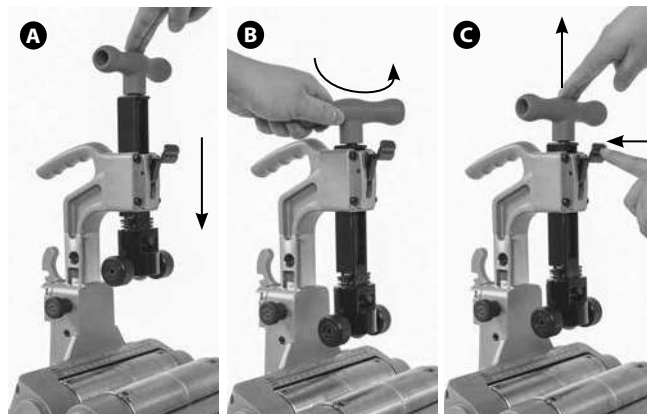
Rysunek 6 – Szybki przełącznik regulacji rozmiaru

1. W obcinaku bez rury, chwycić za uchwyt i zwolnić sworznię, lekko naciskając pokrętkę ❶ i obracając je w kierunku przeciwnym do ruchu wskazówek zegara ❷. Pokrętło jest połączone ze sprężyną i cofnie się; regulując ruch pokrętki. *Patrz rys. 6.*
2. Za pomocą uchwytu przesunąć głowicę w wymagane położenie ❸.
3. Włożyć pokrętkę szybkiego przełącznika, aby utrzymać głowicę w wymaganym położeniu.

Szybki regulator docisku obcinaka

Szybki regulator docisku obcinaka służy do wysuwania i chowania krążka obcinaka podczas operacji cięcia.

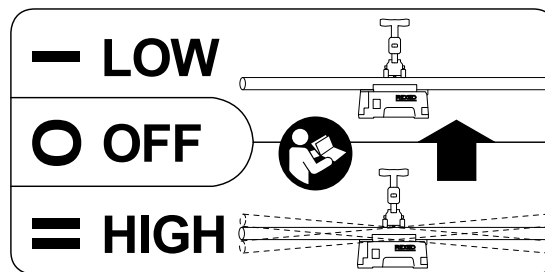
1. Aby wysunąć krążek obcinaka, należy wcisnąć uchwyt w dół (Rysunek 7A) aż do zatrzaśnięcia rury.
2. W celu cofnięcia (schowania) krążka obcinaka należy poluzować uchwyt / śrubę dociskową o 1-2 obroty (Rysunek 7B) i nacisnąć przycisk zwalnający (Rysunek 7C), aby umożliwić jego cofnięcie (jest on połączony ze sprężyną, która reguluje ruch uchwytu).



Rysunek 7 – Szybki docisk: A – wysuwanie, B – zwalnianie, C – cofanie

Wybór/zmiana prędkości roboczej

Elektryczny obcinak do rurek ma dwie prędkości robocze – LOW (małą) i HIGH (dużą), zob. Rysunek 8.



Rysunek 8 – Etykieta z informacjami o prędkości

Prędkość LOW (mała) (I – ustawienie przełącznika odpowiadające małej prędkości). Zmniejsza ryzyko wibracji i oscylacji rury podczas użytkowania obcinaka.

Zalecana dla rur o średnicy 2" (50 mm) i mniejszych oraz dłuższych niż 6.5' (2 m)

Prędkość HIGH (duża) (II – ustawienie przełącznika odpowiadające dużej prędkości). Skracza czas cięcia.

Dla rur o średnicy większej niż 2" (50 mm) i dowolnej długości

Dla każdej rury krótszej niż 6.5' (2 m)

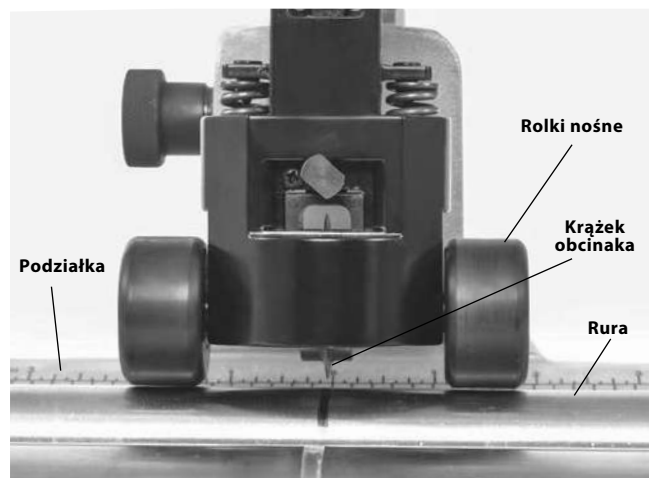
Wibracje i oscylacje rur zależą od wielu czynników, takich jak długość, rozmiar, waga, prostoliniowość, osiowanie stojaka, prędkość obrotowa rolek itp. Jeśli w dowolnym momencie wyczuwalne są nadmierne wibracje lub oscylacje rury, należy zwolnić wyłącznik nożny. Jeśli obcinak pracuje z dużą prędkością (II), zmienić prędkość na małą i spróbować jeszcze raz. Jeśli maszyna pracuje z małą prędkością (I) zmienić sposób cięcia tego odcinka rury np. na cięcie ręczne.

Aby zmienić prędkość, należy zwolnić wyłącznik nożny i poczekać na całkowite zatrzymanie obcinaka. Ustawić

przełącznik w żądanym położeniu. Nie wolno zmieniać roboczej prędkości obrotowej podczas pracy maszyny.

Cięcie rury

1. Sprawdzić, czy rura nie jest widocznie zgięta i czy nie jest do niej przymocowany żaden osprzęt. Cięcie wygiętych rur lub rur z osprzętem może powodować nadmierne wibracje i utratę kontroli. W razie potrzeby należy użyć obcinaka ręcznego. Zaznaczyć rurę na żądanej długości. Dla wygody, na maszynie umieszczona jest podziałka pomiarowa,
2. W razie potrzeby należy ustawić zakres rozmiarów elektrycznego obcinaka do rur za pomocą szybkiego przełącznika regulacji rozmiaru.
3. Umieścić rurę na rolkach w taki sposób, aby znak cięcia znajdował się pod krążkiem obcinaka, na zerowym znaku podziałki. Jeśli rura wystaje poza maszynę, pod rurą należy umieścić podpory. Podpory powinny być wyregulowane tak, aby rura opierała się prostopadle na rolkach. Ułatwi to prawidłowe prowadzenie cięcia. Patrz rys. 3.
4. Przyjąć właściwą pozycję roboczą ułatwiającą utrzymanie kontroli nad maszyną i rurą (zob. Rysunek 10):
 - Zadbaj o wygodny dostęp do narzędzi i wyłącznika.
 - Upewnić się, że przyjęta pozycja zapewnia kontrolę nad wyłącznikiem nożnym. W tym momencie nie naciskać jeszcze wyłącznika nożnego. W nagłym przypadku musi istnieć możliwość zwolnienia wyłącznika nożnego.
 - Upewnić się, że ciało zachowuje równowagę i trzeba się nadmiernie wychylać.
5. Wysunąć system szybkiego docisku, tak aby rolki nośne zetknęły się z rurą (Rysunek 9). Wyrównać krążek obcinaka ze znakiem na rurze. Dokręcić śrubę dociskową tak, aby krążek obcinaka zetknął się z rurą. Po zetknięciu się krążka obcinaka z rurą obrócić śrubę dociskową dodatkowo o 1 do 1½ obrotu, aby uchwycić rurę. Nie należy nadmiernie wysuwać (dokręcać) śruby dociskowej, ponieważ może to powodować owalność rury i zwiększać ilość powstających zadziorów.



Rysunek 9 – Rolki nośne stykające się z rurą

6. Ustawić przełącznik I - mała prędkość / O - wyłączony / II - duża prędkość w położeniu odpowiednim dla obcinanej rury.
7. Nacisnąć wyłącznik nożny. Rolki i rura zaczną się obracać. Nie zbliżać rąk do wirujących części



Rysunek 10 – Cięcie rury

8. Wysuwać śrubę dociskową, powoli nieprzerwanie ją dokręcając aż do przecięcia rury. Agresywne cięcie może spowodować uszkodzenie krążka obcinaka i powstanie nadmiernej liczby zadziorów. Utrzymywać rolki podtrzymujące w kontakcie z rurą, aby ułatwić utrzymanie jej w miejscu.

Jeśli podczas cięcia rura zaczyna poruszać się spiralnie, zatrzymać cięcie i sprawdzić ustawienie maszyny, a zwłaszcza wyrównanie stojaków na rurę. Rury

wykonane z innych materiałów mogą wymagać dodatkowego lekkiego dokręcenia śruby dociskowej w celu poprawy przewodzenia.

9. Zdjąć stopę z wyłącznika nożnego. Następnie ustawić przełącznik I-LOW (mała prędkość) / O-OFF (WYŁ.) / II-HIGH (duża prędkość) w położeniu O-OFF (WYŁ.).
10. Gdy rura przestanie się obracać, poluzować śrubę dociskową o 1-2 obroty i nacisnąć przycisk zwalniający, aby całkowicie cofnąć krążek obcinaka. Wyjąć rurę.

Rozwiercanie rury



Rysunek 11 – Zamontowanie rozwiertaka

1. Ustawić przełącznik I-LOW (mała prędkość) / O-OFF (WYŁ.) / II-HIGH (duża prędkość) w położeniu O-OFF (WYŁ.).
2. Zdjąć rozwiertak z wałka do przechowywania i zamontować w położeniu roboczym jak pokazano na *Rysunku 11*. Upewnić się, że rozwiertak jest pewnie zamocowany.
3. Przesunąć przełącznik I-LOW (mała prędkość) / O-OFF (WYŁ.) / II-HIGH (duża prędkość) w położenie I-LOW (mała prędkość).
4. Nacisnąć wyłącznik nożny. Nie zbliżać rąk do końców rury ani wirujących części.
5. Pewnie chwycić rurę. Odpowiednio podeprzeć rurę, aby ułatwić utrzymanie nad nią kontroli.
6. Umieścić rurę na stożku rozwiertaka i delikatnie nacisnąć (*Rysunek 12*) w celu usunięcia zadziorów z wewnętrznej strony na końcu rury. Nie należy wciskać rury na rozwiertaka z nadmierną siłą, może to spowodować, że rozwiertak chwyci rurę i przekręci ją w rękach osoby obsługującej maszynę.



Rysunek 12 – Rozwiercanie rur

7. Zdjąć stopę z wyłącznika nożnego.
8. Ustawić przełącznik I-LOW (mała prędkość) / O-OFF (WYŁ.) / II-HIGH (duża prędkość) w położeniu O-OFF (WYŁ.).
9. Wyjąć rozwiertak z położenia roboczego i umieścić go z powrotem na wałku do przechowywania.

Transport

1. Aby zapobiec przewróceniu się lub przechyleniu maszyny, zdemontować lub zabezpieczyć wszelkie luźne wyposażenie lub luźny materiał w maszynie.
2. Ustawić krążek obcinaka w dolnym położeniu.
3. Owinąć elektryczny przewód zasilający i wąż przełącznika nożnego wokół haka przewodu i zabezpieczyć jak pokazano na *rysunku Rysunek 13*.
4. Podnieść za pomocą uchwytu. Podczas podnoszenia i przenoszenia należy zachować ostrożność. Pamiętać o ciężarze maszyny.



Rysunek 13 – Zwinięty przewód elektryczny / wąż

Przechowywanie

⚠ OSTRZEŻENIE Elektryczny obcinak do rur musi być suchy i trzymany w pomieszczeniu lub szczelnie okryty, jeśli trzymany jest na zewnątrz. Przechowywać maszynę w zamkniętym pomieszczeniu poza zasięgiem dzieci i osób nie zaznajomionych z elektrycznym obcinakiem do rurek. Ta maszyna może spowodować poważne obrażenia w rękach nieprzeszkolonych użytkowników.

Instrukcje konserwacji

⚠ OSTRZEŻENIE

Przed przystąpieniem do jakichkolwiek czynności konserwacyjnych lub regulacyjnych upewnić się, że przełącznik znajduje się w położeniu O-OFF WYŁ.) i maszyna jest odłączona od zasilania elektrycznego.

Obcinak należy konserwować według tych procedur, aby zmniejszyć ryzyko obrażeń na skutek porażenia prądem elektrycznym, pochwycenia i innych przyczyn.

Czyszczenie

Po każdym użyciu maszyny należy ją delikatnie wyczyścić czystą, suchą ściereczką. Utrzymywać wałki w czystości, wolne od brudu i drobnych zanieczyszczeń stałych.

Rozwiertak powinien być czysty i wolny od wiórów, aby zapewnić maksymalną wydajność.

Oczyścić otwory wentylacyjne silnika z kurzu i drobnych zanieczyszczeń stałych.

Smarowanie

Co miesiąc (lub częściej w razie potrzeby) smarować lekkim olejem smarnym wszystkie odsłonięte części ruchome elektrycznego obcinaka do rurek stojaka PC116TS (takie jak śruba dociskowa, układ szybkiego docisku, rolki i punkty podparcia obrotowego). Zetrzeć nadmiar oleju z odsłoniętych powierzchni.

Wymiana krążka obcinaka

Aby prawidłowo wybrać krążek obcinaka, zob. *Dane techniczne*. Wymieniać krążek obcinaka przy cięciu różnych materiałów oraz po wyszczerbieniu lub spłaszczeniu krawędzi tnącej. W maszynie można przechowywać dodatkowo krążek obcinaka. *Patrz rys. 13.*

1. Wyjąć kołek łączący. Uchwyt krążka spadnie swobodnie (Rysunek 14).



Rysunek 14 – Wymontowanie uchwytu krążka

2. Wymontować kołek do krążka oraz krążek/łożysko obcinaka (Rysunek 15).
3. Sprawdzić łożysko. Łożysko powinno się swobodnie obracać. W razie potrzeby wymienić.
4. W celu zamontowania krążka obcinaka wykonać powyższą procedurę w odwrotnej kolejności.



Rysunek 15 – Wymiana krążka obcinaka

Zabezpieczenie nadprądowe silnika

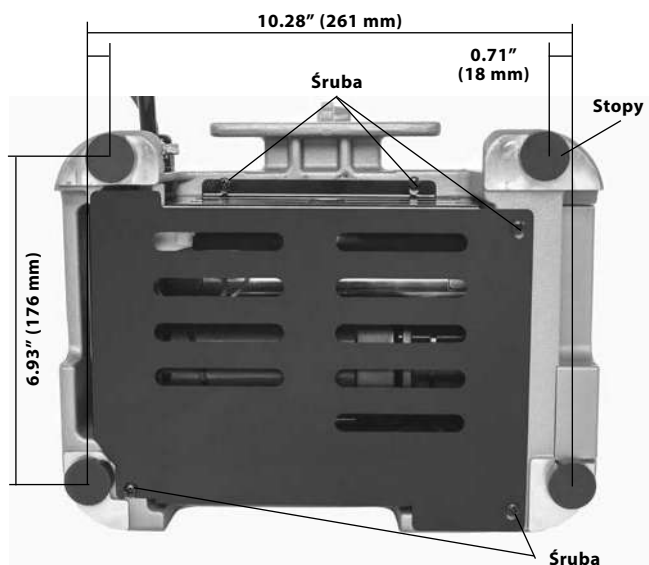
Obcinak jest wyposażony w zabezpieczenie nadprądowe, które wyłącza maszynę w celu ochrony silnika, gdy pobiera on nadmierny prąd.

Jeśli maszyna wyłączy się niespodziewanie, należy zwolnić przełącznik nożny. Ustawić przełącznik w położeniu O-OFF (WYŁ.) i wyjąć z gniazda wtyczkę przewodu zasilającego maszynę. Jeśli w maszynie znajduje się rura, wyjąć ją. Postępować zgodnie z rozdziałami „Kontrola przed uruchomieniem” i „Przygotowanie maszyny i obszaru roboczego”, aby upewnić się, że maszyna pracuje prawidłowo.

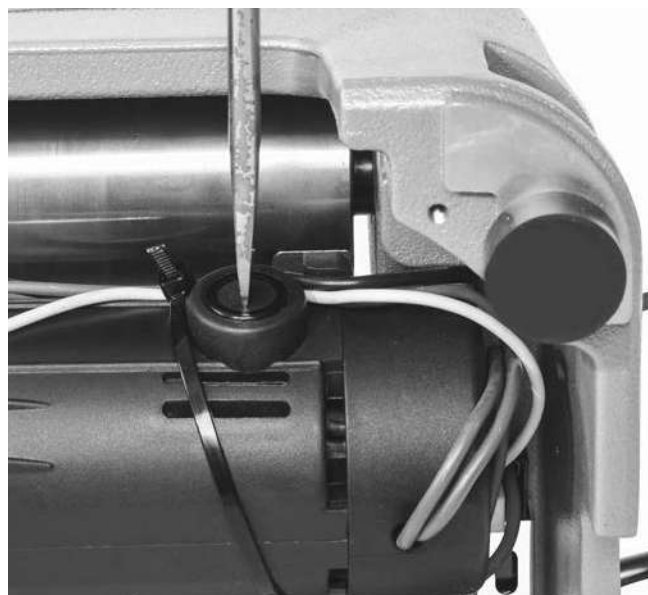
Wymiana szczotek silnika

Szczotki silnika należy sprawdzać co sześć miesięcy i wymieniać, jeśli ich długość jest mniejsza niż 5 mm (0.2").

1. Upewnić się, że przełącznik znajduje się w położeniu O-OFF (WYŁ.) i maszyna jest odłączona od zasilania.
2. Poluzować pięć śrub mocujących dolną pokrywę (*Rysunek 16*) i zdjąć pokrywę (niektóre śruby są przymocowane do pokrywy).
3. Za pomocą wkrętaka odkręcić i zdjąć zaślepki szczotek (*Rysunek 17*). Delikatnie wyjąć szczotki węglowe i sprawdzić ich długość (*Rysunek 18*). Jeśli szczotka ma długość mniejszą niż 5 mm (0.2"), należy ją wymienić.
4. Włożyć szczotkę w szczotkotrzymacz, prawidłowo wyrównując zakładki szczotki z wypustkami w szczotkotrzymaczu.
5. Mocno zacisnąć zaślepki szczotki. Zamontować z powrotem dolną pokrywę.
6. Po ponownym zmontowaniu maszyny należy uruchomić ją na wysokiej prędkości (II-High) i pozostawić pracującą przez pięć minut, bez żadnej rury w maszynie, w celu dotarcia szczotek.



Rysunek 16 – Śruby pokrywy dolnej



Rysunek 17 – Wymontowanie zaślepki szczotki



Rysunek 18 – Sprawdzanie długości szczotki

Zeskanować poniższy kod QR, aby uzyskać dostęp do literatury i filmów na temat PC116/PTC-400.



Rozwiązywanie problemów

PROBLEM	MOŻLIWE PRZYCZYNY	ROZWIĄZANIE
Nadmierne wibracje podczas pracy.	Niewłaściwa prędkość robocza. Cięcie wygiętej rury. Długa rura nieprawidłowo podparta. Maszyna nieprawidłowo zamontowana.	Zob. <i>Wybieranie prędkości obrotowej.</i> Nie wolno ciąć wyraźnie wygiętej rury. Użyć obcinaka ręcznego. Oprzeć długą rurę na stojakach do rur. Prawidłowo zamontować maszynę na płaskiej powierzchni i przykręcić śrubami montażowymi.
Maszyna nie obcina prawidłowo rur.	Zużyty krążek obcinaka. Stosowanie na rurach o niewłaściwym rozmiarze lub z niewłaściwego materiału.	Wymienić zużyty krążek obcinaka. Stosować na rurach właściwego typu (zob. <i>Dane techniczne</i>).
Maszyna zatrzymuje się podczas cięcia.	Agresywne dociskanie krążka obcinaka podczas cięcia.	Delikatnie dociskać krążek obcinaka.
Maszyna nie działa.	Zużyte są szczotki silnika. Uaktywnione zabezpieczenie nadprądowe.	Zamontować nowe szczotki silnika. <i>Postępować zgodnie z instrukcjami dotyczącymi nadmiernego prądu w silniku zamieszczonymi w rozdziale Konserwacja.</i>
Zbyt dużo zadziorów lub odkształcenie na końcu rury.	Zużyty lub uszkodzony krążek obcinaka. Agresywne dociskanie krążka obcinaka podczas cięcia.	Wymienić krążek obcinaka. Delikatnie dociskać krążek obcinaka.
Maszyna zatrzymuje się przy naciśniętym wyłączniku nożnym. Rusza ponownie przy kolejnym naciśnięciu wyłącznika nożnego.	Dziura w wężu wyłącznika nożnego. Nieszczelność przełącznika pneumatycznego.	Wymienić wyłącznik nożny Jeśli nie stwierdzono żadnych problemów z wyłącznikiem nożnym/wężem, należy wymienić przełącznik pneumatyczny.

Serwis i naprawa

⚠ OSTRZEŻENIE

Nieprawidłowe serwisowanie i naprawa mogą spowodować, że maszyna będzie niebezpieczna w obsłudze.

„Instrukcje konserwacji” obejmują większość czynności serwisowych wymaganych dla tej maszyny. Rozwiązanie wszelkich problemów, które nie zostały tutaj ujęte, należy powierzyć Niezależnemu Centrum Serwisowemu firmy RIDGID. Stosować wyłącznie części serwisowe RIDGID.

W celu uzyskania informacji o najbliższym niezależnym centrum serwisowym RIDGID lub o dowolnych sprawach związanych z serwisem lub naprawami zob. *punkt Informacje kontaktowe* w tej instrukcji obsługi.

Wyposażenie opcjonalne

⚠ OSTRZEŻENIE

Aby zmniejszyć ryzyko poważnych obrażeń, należy używać akcesoriów przeznaczonych i zalecanych dla elektrycznego obcinaka do rurek PC116/PTC-400 RIDGID, takich jak podane poniżej.

Nr katalogowy	Opis
64903	P116TS Stojak do rur do użytku z PC116/PTC-400
66253	PC116 220-240V Szczotka węglowa silnikowa
66248	PC116 100-120V Szczotka węglowa silnikowa
56662	VJ-99 Stojak wysoki do rur z głowicą V 28" - 52"
64908	137S Rozwiertak do PC116/PTC-400
66938	E850 Krążek obcinaka (do rur metalowych)
66943	E855 Krążek obcinaka (do rur plastikowych)
64898	Łożysko krążka obcinaka

Pełny wykaz osprzętu RIDGID dostępnego do tych narzędzi zamieszczono w katalogu online Ridge Tool pod adresem RIDGID.com; informacje można również uzyskać przy użyciu kontaktów zawartych w części *Informacje kontaktowe*.

Utylizacja

Części tych narzędzi zawierają cenne materiały, które można poddać recyklingowi. Lokalnie można znaleźć firmy specjalizujące się w recyklingu. Zutilizować wszystkie części zgodnie z wszystkimi stosownymi przepisami. W celu uzyskania dalszych informacji należy skontaktować się z lokalnymi władzami odpowiedzialnymi za gospodarkę odpadami.



W krajach UE: Nie wolno utylizować urządzeń elektrycznych wraz z odpadami z gospodarstwa domowego!

Zgodnie z Dyrektywą europejską 2012/19/EU dotyczącą odpadów elektrycznych i elektronicznych i jej wdrożeniem do prawodawstwa krajowego, urządzenia elektryczne, które nie nadają się już do użycia, muszą być zbierane oddzielnie i utylizowane w sposób przyjazny dla środowiska.

Řezák trubek

PC116/PTC-400 elektrický řezák trubek



⚠ VÝSTRAHA!

Před používáním tohoto nástroje si pečlivě přečtěte tento návod k použití. Nepochopení a nedodržení obsahu tohoto návodu může vést k úrazu elektrickým proudem, vzniku požáru nebo k závažné újmě na zdraví.

PC116/PTC-400 elektrický řezák trubek

Zaznamenejte si níže uvedené sériové číslo a zapamatujte si sériové číslo výrobku, které je uvedeno na továrním štítku.

Výrobní č.

Obsah

Záznamový formulář sériového čísla stroje	197
Bezpečnostní symboly	199
Všeobecné bezpečnostní výstrahy týkající se elektrického nářadí	199
Bezpečnost na pracovišti	199
Elektrobezpečnost	199
Osobní bezpečnost	200
Používání a údržba elektrického nářadí	200
Servis	200
Specifické informace o bezpečnosti	201
Kontaktní údaje RIDGID	201
Popis	201
Specifikace	202
Standardní vybavení	203
Montáž	203
Montáž na stůl	203
Kontrola před zahájením práce	203
Příprava přístroje a pracoviště	204
Nastavení stojanu PC116TS	204
Návod k obsluze	205
Nastavení řezáku pro různé rozměry potrubí	206
Volba/změna provozní rychlosti	206
Řezání potrubí	207
Odhrotování potrubí	208
Přeprava	208
Uskladnění	208
Návod k údržbě	209
Čištění	209
Mazání	209
Výměna dělicího kolečka	209
Nadproudová ochrana motoru	209
Výměna kartáčů motoru	209
Řešení problémů	211
Servis a opravy	211
Volitelné vybavení	211
Likvidace	212
Prohlášení o shodě ES	Na vnitřní straně zadního obalu
Záruka po dobu životnosti	Zadní strana obálky

* Překlad původního návodu k použití

Bezpečnostní symboly

V tomto návodu k obsluze a na výrobku jsou použity bezpečnostní symboly a signální slova, která sdělují důležité informace týkající se bezpečnosti. Úlohou tohoto oddílu je snaha o lepší porozumění těmto signálním slovům a symbolům.



Toto je výstražný bezpečnostní symbol. Je používán pro to, aby vás upozornil na možné nebezpečí poranění osob. Dodržujte všechny na upozornění týkající se bezpečnosti, na která tento symbol upozorňuje, abyste se vyvarovali možného poranění nebo usmrcení.

NEBEZPEČÍ

NEBEZPEČÍ označuje nebezpečnou situaci, která - kdyby nastala - by mohla mít za následek smrt nebo vážný úraz.

VÝSTRAHA

VÝSTRAHA označuje nebezpečnou situaci, následkem které může dojít k usmrcení nebo vážnému zranění, pokud se jí nevyvarujete.

VAROVÁNÍ

VAROVÁNÍ označuje nebezpečnou situaci, která - kdyby nastala - by mohla mít za následek menší nebo lehký úraz.

POZNÁMKA

POZNÁMKA označuje informaci, která se vztahuje k ochraně majetku.



Tento symbol znamená, že si před prací s tímto zařízením musíte pečlivě pročíst návod k použití. Návod k použití obsahuje důležité informace o bezpečné a správné obsluze zařízení.



Tento symbol znamená, že musíte používat ochranné brýle s bočnicemi nebo bezpečnostní brýle typu lyžařských brýlí pro snížení rizika úrazu očí vždy, když s tímto náčiním zacházíte nebo pracujete.



Tento symbol značí nebezpečí zasažení elektrickým proudem.



Tento symbol označuje nebezpečí zachycení nebo navinutí rukou, prstů nebo jiných částí těla válečky nebo jinými pohyblivými částmi.



Tento symbol označuje nebezpečí pořezání rukou, prstů nebo jiných částí těla otáčejícími se nebo pohyblivými částmi.



Tento symbol znamená, že zde existuje riziko převrnutí nástroje, které může způsobit zranění nárazem nebo rozdrcením.



Tento symbol znamená, že při obsluze tohoto stroje není vhodné používat rukavice, aby se snížilo riziko zachycení strojem.

Všeobecné bezpečnostní výstrahy týkající se elektrického náradí*

VÝSTRAHA

Pročtěte si všechna bezpečnostní varování, pokyny a specifikace poskytnuté s tímto elektrickým nástrojem. Nedodržení všech níže uvedených pokynů může mít za následek úraz elektrickým proudem, vznik požáru nebo závažnou újmu na zdraví.

VŠECHNA VAROVÁNÍ A POKYNY UCHOVEJTE PRO PŘÍŠTÍ POUŽITÍ!

Termín „elektrické náradí“ v části varování uvádí hlavní část elektrického náradí (připojené kabelem) nebo dobíjený baterií (bezdrátový).

Bezpečnost na pracovišti

- **Pracoviště udržujte čisté a dobře osvětlené.** Temná pracoviště nebo pracoviště plná nepořádku jsou zdrojem nehod.
- **S elektrickým náradím nepracujte ve výbušném prostředí způsobeném přítomností lehce zápalných kapalin, plynů nebo prachu.** Elektrické náradí jiskří a jiskry mohou zapálit prach nebo výpary.

- **Při práci s elektrickým náradím se nablízku nesmí nacházet děti a kolemstojící.** Rozptýlování může mít za následek ztrátu kontroly.

Elektrobezpečnost

- **Zásuvky přívodu elektrického proudu musí být vhodné pro zástrčky elektrického nástroje. Nikdy zástrčku žádným způsobem neupravujte. Zástrčky adaptérů nepoužívejte s uzemněným (ukostřeným) elektrickým náradím.** Neupravené zástrčky a vhodné zásuvky snižují riziko úrazu elektrickým proudem.
- **Vyhýbejte se tělesnému kontaktu s uzemněnými nebo ukostřenými povrchy, jako jsou potrubí, radiátory, kuchyňské sporáky a lednice.** Je zde zvýšené riziko úrazu elektrickým proudem, je-li vaše tělo uzemněno.
- **Elektrické náradí nevystavujte dešti nebo vlhkému prostředí.** Pokud se do elektrického nástroje dostane voda, zvýší se riziko úrazu elektrickým proudem.
- **S kabelem nezacházejte hrubě. Nikdy kabel nepoužívejte pro nošení, vytažení či vypořádání nástroje ze zásuvky. Kabel chraňte před horkem, olejem, ostrými hranami nebo pohyblivými částmi.** Poškozené nebo zamotané kabely zvyšují nebezpečí úrazu elektrickým proudem.

*Znění části „Všeobecné bezpečnostní výstrahy týkající se elektrického nástroje“ tohoto návodu je doslovně shodné se zněním uvedeným v příslušné normě UL/CSA/EN 62841-1. Tato část obsahuje všeobecné bezpečnostní pokyny pro mnoho různých druhů elektrického náradí. Ne každé preventivní opatření je vhodné pro všechno náradí a některá nejsou vhodná pro toto náradí.

- Při práci s elektrickým nářadím ve venkovním prostředí používejte prodlužovací kabely vhodné pro venkovní použití. Používání prodlužovacího kabelu vhodného pro venkovní použití snižuje riziko zasažení elektrickým proudem.
- Při práci s elektrickým nářadím ve vlhkém místě musíte nevyhnutelně používat přívod elektrického proudu s proudovým chráničem (GFCI). Použití proudového chrániče snižuje riziko úrazu elektrickým proudem.

Osobní bezpečnost

- **Budte ostražití, věnujte pozornost prováděným činnostem a při práci s elektrickým nástrojem používejte zdravý rozum. Nepoužívejte elektrické nástroje, pokud jste unaveni nebo pod vlivem drog, alkoholu či léků.** Stačí okamžik nepozornosti při používání tohoto nástroje a může dojít k závažné újmě na zdraví.
- **Používejte osobní ochranné pomůcky. Vždy noste ochranu očí.** Ochranné pomůcky, jako protiprachová maska, neklouzavá bezpečnostní obuv, ochranná přilba nebo ochrana sluchu, používané v příslušných podmínkách, snižují počet osobních zranění.
- **Zabraňte neúmyslnému spuštění nástroje. Než nářadí připojíte ke zdroji napájení nebo k bateriovému modulu a než budete nářadí zvedat nebo přenášet, zkontrolujte, zda je spínač ve VYPNUTÉ poloze.** Přenášením nářadí s prstem na spínači nebo připojováním elektrického nářadí ke zdroji proudu při ZAPNUTÉM spínači riskujete úraz.
- **Odstraňte jakýkoliv seřizovací či imbusový klíč předtím, než elektrické nářadí ZAPNETE.** Klíč, který zůstane připevněn k rotující části nástroje, může mít za následek zranění osob.
- **Nezacházejte příliš daleko. Správně se vždy postavte a udržujte rovnováhu.** To vám umožní lepší ovládní elektrického nářadí v neočekávaných situacích.
- **Správně se oblékejte. Nenoste volný oděv nebo přívěsky. Udržujte své vlasy a oděv mimo dosah částí, které se otáčejí.** Volný oděv, přívěsky nebo dlouhé vlasy mohou být otáčejícími se součástmi zachyceny.
- **Pokud jsou součástí zařízení pro připojení k zachycení prachu a pro další sběr, ujistěte se, že jsou připojena a používána správně.** Použití zařízení na zachycování prachu může snížit rizika spojená s prachem.
- **Nedovolte, aby vám obeznámenost s nástrojem získaná jeho častým používáním dovolila ignorovat zásady bezpečné práce s nástrojem.** Neopatrná činnost může způsobit vážná zranění během zlomku sekundy.

Používání a údržba elektrického nářadí

- **Elektrické nářadí nepřetěžujte. Pro daný účel použijte správné elektrické nářadí.** Správné elektrické nářadí vám poslouží lépe a bezpečněji, pokud je použito takovým způsobem, ke kterému je navrženo.
- **Nepoužívejte elektrické nářadí, pokud jej nelze vypínačem ZAPNOUT a VYPNOUT.** Každé elektrické nářadí, které nelze ovládat spínačem, je nebezpečné a musí být opraveno.
- **Před seřizováním, výměnou příslušenství nebo uložením odpojte zástrčku elektrického nástroje od napájení nebo bateriový modul.** Tato preventivní bezpečnostní opatření snižují riziko náhodného spuštění elektrického nástroje.
- **Elektrické nářadí, s kterým nepracujete, ukládejte z dosahu dětí a nedovolte pracovat s elektrickým nářadím osobám, které s ním nebo s tímto návodem nejsou obeznámeny.** Elektrické nástroje jsou v rukou neproškolených uživatelů nebezpečné.
- **Provádějte údržbu elektrického nářadí. Zkontrolujte souosost a spojení pohyblivých částí, zda součásti nejsou popraskané nebo nevykazují nějaký jiný stav, který může ovlivnit funkci elektrického nástroje. Pokud je poškozený, nechte elektrický nástroj před použitím opravit.** Mnoho úrazů je zapříčiněno špatně udržovanými elektrickými nástroji.
- **Řezací nástroje musejí být ostré a čisté.** Řádně udržované řezné nástroje s ostrými břity jsou méně náchylné k zadření a jdou snadněji ovládat.
- **Elektrické nářadí, příslušenství a nástroje k nářadí atd. používejte v souladu s tímto návodem a berte v úvahu pracovní podmínky a vykonávanou práci.** Používání elektrického nářadí na práce, pro které není určeno, by mohlo zavinit nebezpečnou situaci.
- **Rukojeti a madla udržujte suchá, čistá a prostá oleje a mastnoty.** Kluzká držadla a madla neumožňují bezpečné zacházení a ovládní nástroje v neočekávaných situacích.

Servis

- **Servis elektrického nástroje si nechte provést kvalifikovaným opravářem, který použije pouze shodné náhradní díly.** To zaručí, že bezpečnost elektrického nářadí zůstane zachována.

Specifické informace o bezpečnosti

⚠ VÝSTRAHA

Tento odstavec obsahuje důležité bezpečnostní informace specifické pro tento nástroj.

Před použitím elektrického řezáku trubek PC116/PTC-400 si pečlivě přečtěte tyto pokyny, abyste snížili nebezpečí úrazu elektrickým proudem nebo jiného vážného úrazu.

VŠECHNA VAROVÁNÍ A POKYNY UCHOVEJTE PRO PŘÍŠTÍ POUŽITÍ!

Tento návod mějte uložen u zařízení, aby ho měla obsluha po ruce.

- **Při obsluze elektrického řezáku trubek nenoste rukavice nebo volné oblečení. Rukávy a bundy mějte vždy zapnuté.** Nesahejte přes nástroj. Oblečení se může ve stroji zachytit a zamotat se.
- **Držte ruce mimo dosah otáčejících se částí, jako jsou válečky, odhrotovač, dělicí kolečko a potrubí. Před manipulací s nástrojem či potrubím nechte části zcela zastavit.** Tento postup sníží riziko zachycení v otáčejících se součástech.
- **Připevněte nástroj ke stabilnímu stolu nebo stojanu. Potrubí řádně podepřete.** Snížíte tím riziko zranění zasažením či rozdrčením při překlopení či odpadnutí trubky a vybavení.
- **Neřezejte viditelně ohnuté potrubí nebo potrubí s připojenými tvarovkami.** Sníží riziko nadměrných vibrací a ztráty kontroly nad strojem anebo potrubím.
- **Vždy noste vhodnou ochranu očí a vhodné osobní ochranné prostředky.** Řezací nástroje se mohou rozbít nebo roztříštit. Snížíte tím riziko zranění.
- **Pracovní postup a nožní spínač musí obsluhovat stejná osoba.** V místě výkonu práce by během provozu nástroje měla být přítomna pouze obsluha. Snížíte tak riziko zranění osob.
- **Přečtěte si tyto pokyny a varování k veškerému používanému vybavení a materiálu a ujistěte se, že jim rozumíte, před tím, než začnete používat tento nástroj, abyste snížili riziko vážných osobních poranění.**

Kontaktní údaje RIDGID

Pokud máte nějaké dotazy týkající se tohoto výrobku firmy RIDGID®:

- Obráťte se na svého místního prodejce výrobků RIDGID®.
- Navštivte RIDGID.com a vyhledejte vaše místní kontaktní místo pro výrobky RIDGID.
- Kontaktujte technické oddělení společnosti Ridge Tool na rtctechservices@emerson.com nebo v USA a Kanadě zavolejte na číslo (800) 519-3456.

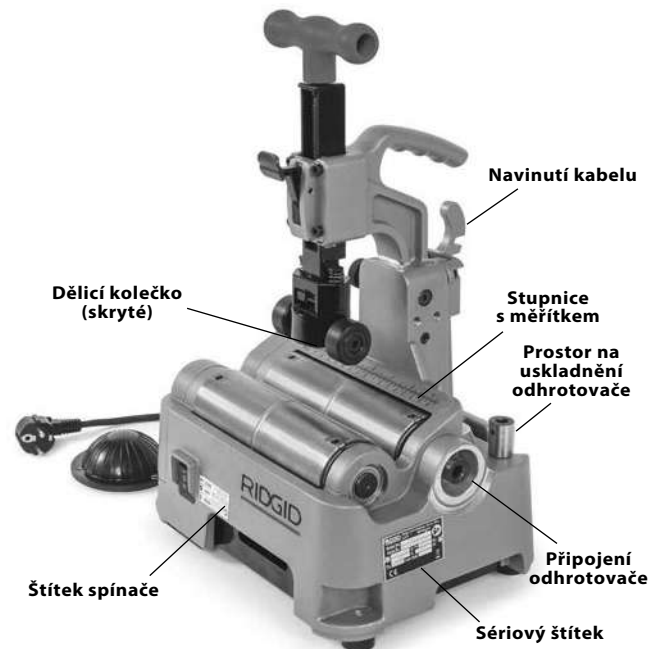
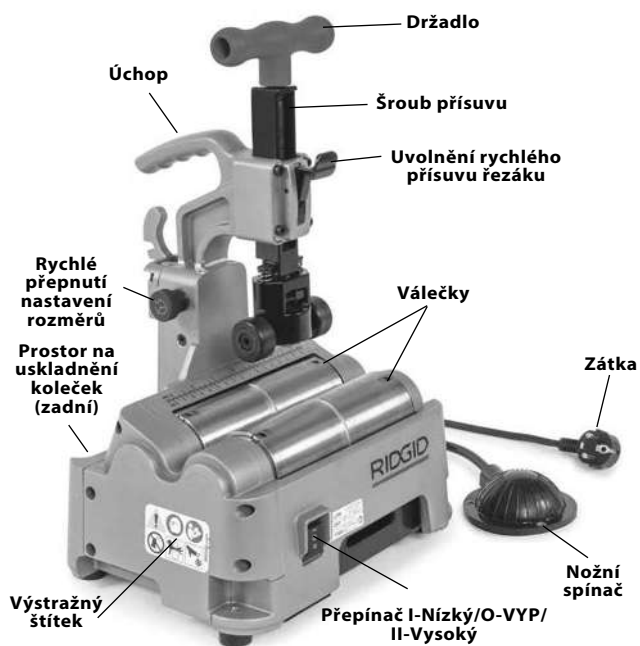
Popis

Elektrický řezák trubek RIDGID® PC116/PTC-400 je navržen k řezání kovového a plastového potrubí/kabelovodů o nominálním rozměru ½" až 4" (12 až 100 mm).

Dvourychlostní spínač ovládá rychlost válečků a pneumatický nožní spínač zajišťuje kontrolu nad ZAPNUTÍM/VYPNUTÍM motoru. K dispozici je stupnice k měření trubek. Elektrický řezák trubek je lehký a kompaktní pro snadnou přepravu.

K dispozici je volitelný odhrotovač, který slouží k odstraňování otřepů zevnitř potrubí až do velikosti 2" (50 mm).

Řezák trubek není navržen pro použití s trubkami.


Obrázek 1 – RIDGID® PC116/PTC-400 elektrický řezák trubek

Obrázek 2 – Sériové číslo stroje

Sériové číslo nástroje se nachází na straně řezáku. Poslední 4 číslice udávají měsíc a rok výroby. (10 = měsíc, 19 = rok).

Specifikace

Nominální rozměr potrubí

Stříhací výkon..... ½" až 4" (12 mm až 100 mm)

Skutečný stříhací výkon..... ½" až 4,5" (12 mm až 116 mm)

Materiál potrubí/ kabelovodu*	Maximální tloušťka stěny	Dělicí kolečko	
		E-850 Kat. #66938	E-855 Kat. #66943
Uhlíková ocel	0.1" (2,5 mm)	X	
Nerez	0.1" (2,5 mm)	X	
Hliník	0.1" (2,5 mm)	X	
Měď	0.1" (2,5 mm)		X
Plast	0.23" (6 mm)		X

* Pouze obecné pokyny. Složení materiálů, tvrdost a další faktory ovlivňují schopnost řezání, životnost kolečka, tvorbu otřepů, atd.

Nominální odhrotovací

výkon..... ½" až 2" (12 mm až 50 mm)
(volitelné příslušenství)

Max. délka potrubí20' (6 m)

Motor

Type..... Univerzální

Napětí..... 100-120 V 220-240 V

Proud..... 5,8 A 3,0 A

Frekvence..... 50/60 Hz 50/60 Hz

Příkon..... 705 W 705 W

Na sériovém štítku produktu naleznete údaje specifické pro danou jednotku.

Rychlost otáčení válečku..... 190/363 ot/min pro 220-240 V,
225/385 ot/min pro 100-120 V

Ovládací prvky..... Přepínač I-Nízký/O-VYP/II-Vysoký
a nožní spínač ZAP/VYP

Hmotnost..... 32 lbs. (14,5 kg)

Celkové rozměry

L x W x H..... 11.6" x 9.4" x 15.9"
(295 mm x 239 mm x 403 mm)

Provozní teplota.....-4 °F až 122 °F (-20 °C až 50 °C)

Hladina

akustického tlaku (L_{PA})* 82,3 dB(A), K=3

Akustický výkon (L_{WA})* 93,3 dB(A), K=3

* Měření zvuku probíhá v souladu se standardizovaným testem dle normy EN 62481-1.

- Emise zvuků se mohou měnit v závislosti na vaší lokaci a specifickém použití těchto nástrojů.

- U každé aplikace je nutné zhodnotit denní vystavení hlasitým zvukům a v případě potřeby provést vhodná bezpečnostní opatření. Vyhodnocení úrovně vystavení by mělo brát v úvahu dobu, po kterou je nástroj VYPNUTÝ a nepoužívá se. Tento faktor může zásadně snížit úroveň vystavení během celé pracovní doby.

Standardní vybavení

Ohledně podrobností o vybavení dodávaným se specifickým katalogovým číslem nástroje viz katalog RIDGID.

POZNÁMKA Za volbu vhodných materiálů, způsobu instalace, spojů a formování je zodpovědný architekt nebo montér systému. Volba nevhodných materiálů a metod by mohla způsobit systémovou závadu.

Nerezová ocel a další korozi odolné materiály mohou být během instalace, spojování a formování kontaminovány. Tato kontaminace může způsobit korozi a předčasné selhání. Před jakýmkoliv pokusem o instalaci by mělo být provedeno pečlivé zhodnocení materiálů a metod pro specifické provozní podmínky včetně chemických a teplotních podmínek.

Abyste snížili riziko znečištění nerezové oceli železem, ujistěte se, že jsou válečky čisté a bez nečistot. Důkladně je vyčistěte kartáčem z nerezové oceli. Před použitím nerezového materiálu vyměňte dělicí kolečko a odhrotovač. Osvědčeným postupem je věnovat nerezové oceli vyhrazený řezák.

Montáž

⚠ VÝSTRAHA

Abyste snížili nebezpečí vážného úrazu během používání přístroje, dodržujte následující postupy jeho správné montáže. Před sestavením je nutné přepnout spínač do VYPNUTÉ polohy a vypojit nástroj ze zásuvky.

Montáž na stůl

Tento nástroj lze připevnit na rovné, stabilní stoly. Chcete-li jednotku připevnit na stůl, odšroubujte gumové patky ve čtyřech rozích základny stroje (viz obrázek 16) a pomocí šroubů M8 přichyťte stroj na stole. Bezpečně dotáhněte.

Kontrola před zahájením práce

⚠ VÝSTRAHA



Před každým použitím elektrický řezák trubek zkontrolujte a vyřešte veškeré problémy, abyste snížili nebezpečí vážného úrazu elektrickým proudem, zachycení, rozdrčení či úrazu způsobeného jinými příčinami a zabránili poškození stroje.

1. Ujistěte se, že je elektrický řezák trubek vypojený ze zásuvky.
2. Nástroj a vybavení vyčistěte včetně rukojetí a ovládacích prvků. Pomůže to provádění kontroly a napomůže zabránit tomu, aby vám nástroj nebo ovládání vyklouzlo z rukou. Provádějte údržbu a čištění nástroje dle pokynů pro údržbu.
3. Zkontrolujte elektrický řezák trubek na následující:
 - Zkontrolujte, zda nejsou poškozeny nebo upraveny kabel a zástrčka.
 - Správnou montáž, údržbu a úplnost.
 - Jakékoliv poškozené, opotřebované, chybějící, nesouosé nebo vážnou částí či jiné poškození.
 - Přítomnost a funkci nožního spínače. Ujistěte se, že je nožní spínač připojený, v dobrém stavu, že hladce pracuje a nevázne.
 - Volný pohyb šroubu přísuvu, dělicího kolečka a podpůrných válečků.
 - Přítomnost a čitelnost výstražných a ostatních štítků (viz Obrázek 1).
 - Řezné hrany dělicího kolečka a odhrotovače zkontrolujte z hlediska opotřebení, deformací, odštěpení či jiných potíží. Tupé, poškozené nebo uvolněné řezáky mohou nástroj poškodit, způsobit nekvalitní řez a zvýšit riziko poranění.
 - Pokud používáte stojan(y) PC116TS, vyčistěte je, zkontrolujte a promažte dle potřeby.
 - Jakékoliv podmínky, které mohou zabránit bezpečnému a normálnímu chodu.
4. Zkontrolujte a proveďte údržbu veškerého dalšího používaného vybavení dle příslušných pokynů, abyste zajistili jeho správnou funkci.

Příprava přístroje a pracoviště

⚠ VÝSTRAHA



Nastavte elektrický řezák trubek a pracovní prostor podle těchto postupů, abyste snížili riziko vážného úrazu elektrickým proudem, zachycení, rozdrčení či úrazu způsobeného jinými příčinami a zabránili poškození stroje.

ho úrazu elektrickým proudem, zachycení, rozdrčení či úrazu způsobeného jinými příčinami a zabránili poškození stroje.

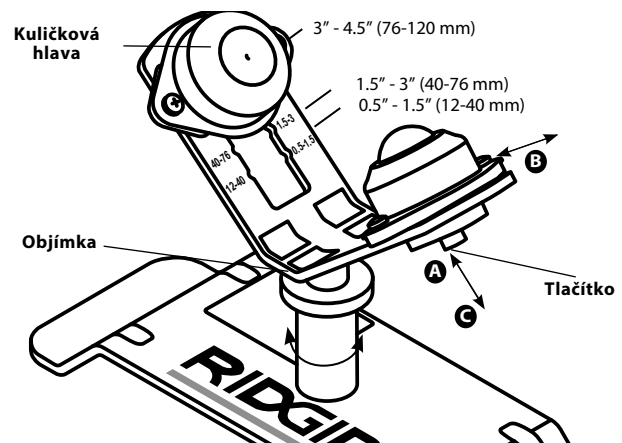
- Zkontrolujte, zda je v místě:
 - Přiměřené osvětlení.
 - Výskyt hořlavých kapalin, par nebo prachu, které by se mohly vznítit. Pokud jsou přítomny, v oblasti nepracujte, dokud nebudou určeny a odstraněny jejich zdroje. Řezák není bezpečný proti výbuchu a může vytvářet jiskry.
 - Čisté, rovné, stabilní a suché místo pro veškeré vybavení a obsluhu.
 - Řádně uzemněná elektrická zásuvka se správným napětím. Na sériovém štítku stroje zkontrolujte požadované napětí. Trojkolíková zásuvka nebo zásuvka s chráničem proudu nemusí být řádně uzemněná. V případě pochybností nechte zásuvku zkontrolovat kvalifikovaným elektrikářem.
- Zkontrolujte práci, která má být provedena. Určete materiál, typ a velikost potrubí. Určete správné vybavení pro daný úkol. *Viz část Specifikace.*
- Přesvědčte se, že veškeré vybavení, které máte používat, bylo řádně zkontrolováno a sestaveno.
- Umístěte stroj na rovný, rovný a stabilní povrch. *Viz „Montáž na stůl“ v části Montáž.* Ujistěte se, že je jednotka stabilní a zajištěná.

- Pokud potrubí přesahuje více než 6" (15 cm) za stroj, použijte jeden nebo více vhodných stojanů k podepření potrubí. Stojany postavte souběžně s válečky. Delší potrubí může vyžadovat vícero stojanů. Používejte pouze stojany k takovému účelu navržené. Nesprávné stojany nebo podpírání potrubí rukou mohou způsobit zranění překlopením nebo zachycením. Nepřekračujte vyznačenou nosnost stojanu. Když je řezák a stojan ve stejné rovině, použijte potrubní stojan RIDGID PC116TS k podepření potrubí.

Pokud pracujete na stole nebo jiné vyvýšené pracovní ploše, lze k podepření potrubí použít různé potrubní stojany RIDGID. Pokud používáte nástroj PC116/PTC-400 na zemi, použijte k podepření potrubí trubkový stojan RIDGID PC116TS. *Viz Obrázek 3.*



Obrázek 3 – Umístění stojanu



Obrázek 4 – Nastavení stojanu PC116TS

Nastavení stojanu PC116TS

Stojan PC116TS přestavuje volitelné příslušenství navržené k použití spolu s řezákem PC116/PTC-400 a nikoliv k jiným účelům.

K seřízení kuličkových hlav na velikost potrubí:

- Stiskněte tlačítko **A**
- Nastavte kuličkovou hlavu do správné polohy rozměru potrubí (*viz Obrázek 4*) **B**
- Uvolněte tlačítko – ujištění o zajištění na místě **C**

K nastavení výšky stojanu otočte objímku ke zdvihnutí či spuštění hlavy. Stojan je navržen k umístění na stejném rovném povrchu jako řezák PC116/PTC-400. *Viz Obrázek 3.* V případě potřeby lze ke zdvihnutí stojanu použít vhodné podložky (jako např. kusy dřeva).

6. Zamezte přístupu osob nebo určete stráž či postavte zábrany, které kolem nástroje a potrubí vytvoří volný okruh o poloměru minimálně 3 stopy (1 m). Tím pomůžete zabránit ostatním osobám kromě obsluhy v kontaktu s nástrojem či potrubím a snížíte riziko překlopení nebo zachycení.
7. Poloha nožního spínače jak je vyobrazena na *Obrázku 8* umožňuje správnou polohu při obsluze.
8. Se spínačem ve vypnuté poloze (O-OFF) vedte kabel volným prostorem. Suchýma rukama zapojte napájecí kabel do řádně uzemněné zásuvky. Veškerá spojení udržujte v suchu a nenechávejte je položená na zemi. Když není napájecí kabel dostatečně dlouhý, použijte prodlužovací kabel, který:
 - Je v dobrém stavu.
 - Má trojkolíkovou zástrčku jako na elektrickém řezáku trubek.
 - Jedná se o typ vhodný pro venkovní použití.
 - Má dostatečný rozměr vodičů. U prodlužovacích kabelů do délky 50' (15,2 m) použijte kabely s 14 AWG (2,5 mm²) nebo silnější. U prodlužovacích kabelů o délce 50'-100' (15,2 m - 30,5 m) použijte kabely s 12 AWG (2,5 mm²) nebo silnější.
9. Zkontrolujte správný chod elektrického řezáku trubek. Čistýma rukama:
 - Přepněte spínač rychlosti do polohy nízké rychlosti (I-LOW). Stiskněte a uvolněte nožní spínač. Válečky by se měly otáčet dle vyznačení šipkami na *Obrázku 5*. Pokud se nástroj neotáčí ve správném směru nebo jej nelze ovládat pomocí nožního spínače, nástroj nepoužívejte, dokud nebude opraven.
 - Sešlápněte a podržte nožní spínač. Zkontrolujte pohyblivé součásti, zda jsou správně vyrovnané a upnuté, zda nevydávají zvláštní zvuky nebo zda se nevyskytují jiné neobvyklé podmínky. Sundejte nohu z nožního spínače. Pokud zjistíte jakékoliv neobvyklé podmínky, nástroj nepoužívejte, dokud nebudou odstraněny.



Obrázek 5 – Směr otáčení válečku

10. Přepněte spínač rychlosti do vypnuté polohy (O-OFF) a suchýma rukama vypojte nástroj ze zásuvky.

Návod k obsluze

⚠ VÝSTRAHA



Při obsluze elektrického řezáku trubek nenoste rukavice nebo volné oblečení. Rukávy a bundy mějte vždy

zapnuté. Nesahejte přes nástroj. Oblečení se může ve stroji zachytit a zamotat se.

Držte ruce mimo dosah otáčejících se částí, jako jsou válečky, odhrotovač, dělicí kolečko a potrubí. Před manipulací s nástrojem či potrubím nechte části zcela zastavit. Tento postup sníží riziko zachycení v otáčejících se součástech.

Potrubí řádně podepřete. Snížíte tím riziko zranění zasažením či rozdrčením při překlopení či odpadnutí trubky a vybavení.

Pracovní postup a nožní spínač musí obsluhovat stejná osoba. V místě výkonu práce by během provozu nástroje měla být přítomna pouze obsluha. Snížíte tak riziko zranění osob.

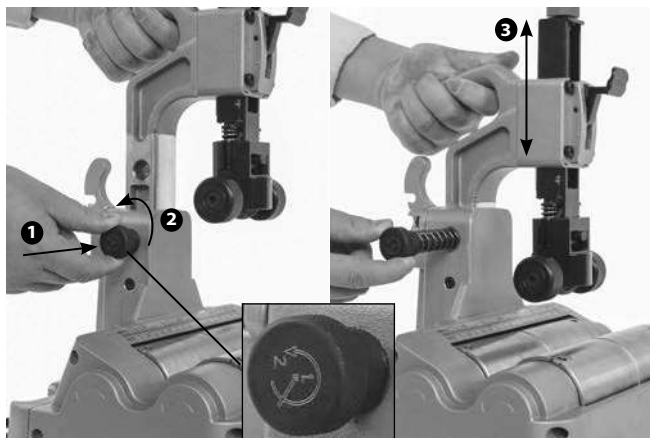
Řiďte se pokyny k obsluze, abyste snížili nebezpečí vážného úrazu elektrickým proudem, zachycení, rozdrčení či úrazu způsobeného jinými příčinami a zabránili poškození stroje.

Zkontrolujte, zda jsou přístroj i pracoviště správně připraveny a že na pracovišti nejsou žádné osoby nebo jiné rušivé elementy. Obsluha by měla být jedinou osobou na místě výkonu práce během chodu nástroje.

Nastavení řezáku pro různé rozměry potrubí

Rychlé přepnutí nastavení rozměrů

Rychlé přepnutí nastavení rozměrů slouží k rychlému nastavení mezi rozsahy velikosti potrubí 2" (50 mm) a menšími a 2" až 4" (50 mm až 100 mm).



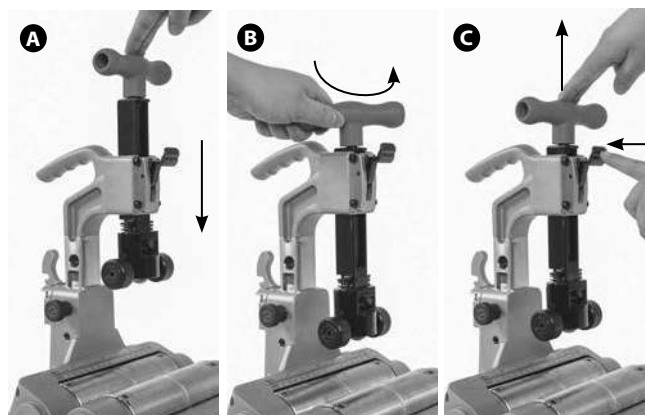
Obrázek 6 – Rychlé přepnutí nastavení rozměrů

1. Bez potrubí v řezáku uchopte a uvolněte čep mírným stisknutím knoflíku ① a mírným otočením proti směru hodinových ručiček ②. Knoflík je odpružený a zatahne se, což ovládá pohyb knoflíku. Viz Obrázek 6.
2. Pomocí úchopu nastavte hlavu do požadované polohy ③.
3. Zasuňte knoflík rychlého nastavení, aby zajistil hlavu na místě.

Nastavení rychlého přísuvu řezáku

Nastavení rychlého přísuvu řezáku se používá k vytažení a zatažení dělicího kolečka během řezání.

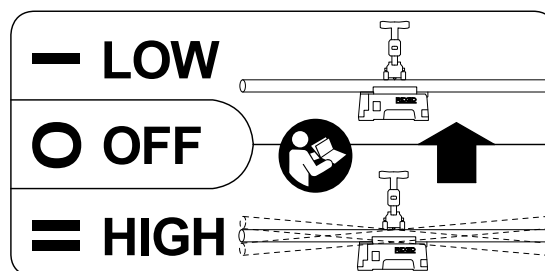
1. K vytažení dělicího kolečka zatlačte na držadlo směrem dolů (Obrázek 7A), dokud se nedotkne potrubí.
2. K zatažení dělicího kolečka povolte držadlo/šroub přísuvu o 1-2 otáčky (Obrázek 7B) a stiskněte pro uvolnění (Obrázek 7C), abyste umožnili zatažení (tlačené pružinou – která ovládá pohyb držadla).



Obrázek 7 – Rychlý přísuv: A-vytáhnout, B-uvolnit, C-zatáhnout

Volba/změna provozní rychlosti

Elektrický řezák trubek má dvě provozní rychlosti – NÍZKOU (LOW) a VYSOKOU (HIGH), viz Obrázek 8.



Obrázek 8 – Štítek rychlostí

NÍZKÁ (LOW) rychlost (nastavení spínače do polohy I-Low). Snižuje riziko vibrace potrubí a oscilace během použití.

Doporučené pro potrubí o průměru 2" (50 mm) a menším a delší než 6.5' (2 m)

VYSOKÁ (HIGH) rychlost (nastavení spínače do polohy II-High). Zrychlí řezání.

Pro potrubí o průměru větším než 2" (50 mm) jakékoliv délky

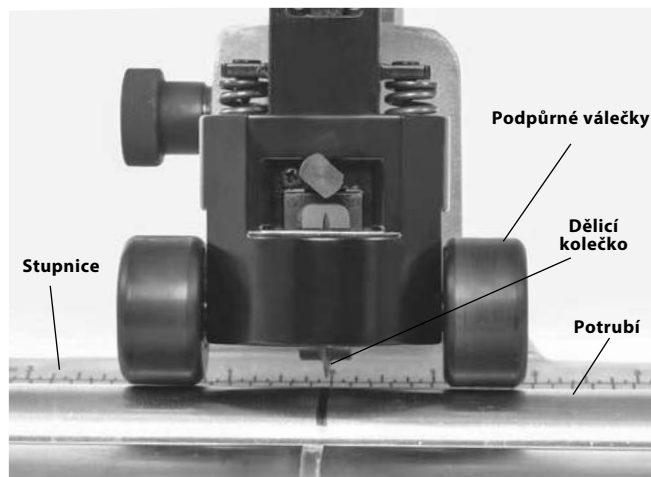
Pro jakékoliv potrubí kratší než 6.5' (2 m)

Vibrace a oscilace potrubí závisí na mnoha faktorech, jako je délka potrubí, velikost, hmotnost, přímost, vyrovnání stojanu, rychlost válečku atd. Pokud kdykoli cítíte, že potrubí příliš vibruje nebo kmitá, uvolněte nožní spínač. Pokud je rychlost ve vysoké poloze II-High, změňte rychlost na nízkou polohu I-Low a zkuste to znovu. Pokud je rychlost v nízké poloze I-Low, zvolte u tohoto kusu jiný způsob řezání, jako např. pomocí ručního řezáku.

Pro změnu rychlostí uvolněte nožní spínač a nechte řezák zcela zastavit. Přepněte spínač do požadované polohy. Neměňte provozní rychlost za chodu nástroje.

Řezání potrubí

1. Zkontrolujte, zda není potrubí viditelně ohnuté a nejsou k němu připojené žádné tvarovky. Řezání ohnutého potrubí s tvarovkami může vést k nadměrným vibracím a ztrátě kontroly. V případě potřeby použijte ruční řezák. Označte potrubí na požadované délce. Pro pohodlí je na nástroji stupnice s měřítkem.
2. V případě potřeby upravte rozsah velikost elektrického řezáku trubek pomocí rychlého přepnutí nastavení rozměrů.
3. Umístěte potrubí na válečky tak, aby se značka řezu nacházela pod dělicím kolečkem na nulové značce stupnice. Pokud potrubí přesahuje za nástroj, umístěte pod potrubí podpěry. Podpěry by měly být nastaveny tak, aby potrubí sedělo přímo na válečkách. Pomůže to zajistit správné sledování řezu. Viz Obrázek 3.
4. Zaujměte správnou pracovní polohu, abyste si udrželi kontrolu nad nástrojem a potrubím (viz Obrázek 10):
 - Ujistěte se, že máte pohodlný přístup k nástrojům a přepínači.
 - Ujistěte se, že můžete ovládat nožní spínač. Nožní spínač ještě nesešlapujte. V případě nouze musíte být schopni nožní spínač uvolnit.
 - Ujistěte se, že máte dobrou rovnováhu a nemusíte sahat přes nástroj nebo daleko.
5. Vysuňte systém rychlého přísuvu, dokud se podpůrná válečky nedotknou potrubí (Obrázek 9). Vyrovnajte dělicí kolečko se značkou na potrubí. Utažením šroubu přísuvu přitisknete dělicí kolečko na povrch potrubí. Poté, co se dělicí kolečko dotkne potrubí, vysuňte šroub přísuvu o dalších 1 až 1½ otáčky, aby se zachytilo potrubí. Nevysunujte šroub přísuvu příliš mnoho, protože by to mohlo zploštit potrubí a zvýšit tvorbu otřepů.



Obrázek 9 – Podpůrné válečky v kontaktu s potrubím

6. Přepněte spínač I-Nízký/O-VYP/II-Vysoký do polohy vhodné pro řezané potrubí
7. Sešlápněte nožní spínač. Válečky a potrubí se začne otáčet. Ruce držte stranou od rotujících částí.



Obrázek 10 – Řezání potrubí

8. Vysuňte šroub přísuvu pomalým a neustálým utahováním šroubu přísuvu, dokud se potrubí neuřízne. Agresivní řezání může poškodit dělicí kolečko a způsobit nadměrné otřepy. Udržujte podpůrná kolečka v kontaktu s potrubím, abyste tak pomohli udržet potrubí na místě. Pokud se při řezání potrubí kroutí, zastavte řez a zkontrolujte nastavení stroje, zejména vyrovnání stojanů na potrubí. Různé materiály potrubí mohou vyžadovat mírné dodatečné utahování šroubu přísuvu, aby se zlepšilo sledování.
9. Sundejte nohu z nožního spínače. Poté přepněte spínač I-Nízký/O-VYP/II-Vysoký do vypnuté polohy (O-OFF).
10. Když se potrubí přestane otáčet, povolte šroub přísuvu o 1-2 otáčky a stisknutím uvolňovacího tlačítka zcela zatáhněte dělicí kolečko. Odeberte potrubí.

Odhrotování potrubí



Obrázek 11 – Instalace odhrotovače

1. Přepněte spínač I-Nízký/O-VYP/II-Vysoký do vypnuté polohy (O-OFF).
2. Vyjměte odhrotovač ze skladovací polohy a namontujte ho do funkční polohy, jak je uvedeno na *Obrázku 11*. Ujistěte se, že je odhrotovač bezpečně namontován.
3. Přepněte spínač I-Nízký/O-VYP/II-Vysoký do nízké polohy (I-Low).
4. Sešlápněte nožní spínač. Ruce držte mimo dosah konců potrubí a otáčejících se částí.
5. Bezpečně uchopte potrubí. Řádně podepřete potrubí, čímž si pomůžete udržet kontrolu.
6. Umístěte potrubí na kužel odhrotovače a jemným tlakem (*Obrázek 12*) odstraňte otřepy z konce potrubí. Netlačte potrubí na odhrotovač silou, mohlo by to způsobit, že odhrotovač uchopí potrubí a roztočí jej ve vašich rukou.



Obrázek 12 – Odhrotování potrubí

7. Sundejte nohu z nožního spínače.
8. Přepněte spínač I-Nízký/O-VYP/II-Vysoký do vypnuté polohy (O-OFF).
9. Odstraňte odhrotovač z funkční polohy a vraťte jej do skladovací polohy.

Přeprava

1. Před přepravou odstraňte nebo zajistěte veškeré volné vybavení a materiál z nástroje, abyste zabránili pádu nebo překlolení.
2. Spustte dělicí kolečko do spodní polohy.
3. Omotejte napájecí kabel a hadici nožního spínače kolem háku kabelu a zajistěte jej podle *Obrázku 13*.
4. Zdvihajte za úchop. Při zdvihání a přesouvání buďte opatrní. Berte na vědomí hmotnost nástroje.



Obrázek 13 – Namotaný kabel/hadice

Uskladnění

⚠ VÝSTRAHA Elektrický řezák trubek musí být uložen v suchu ve vnitřním prostředí nebo dobře zakrytý ve venkovním prostředí. Nástroj skladujte v uzamčeném prostoru, který je z dosahu dětí a lidí neseznámených s elektrickým řezákem trubek. Tento nástroj může způsobit vážná poranění v rukách nezacvičených uživatelů.

Návod k údržbě

⚠ VÝSTRAHA

Před prováděním jakékoliv údržby nebo úprav se ujistěte, že je spínač ve vypnuté poloze (O-OFF) a nástroj odpojený ze sítě.

Řezák udržujte v souladu s těmito pokyny, abyste snížili nebezpečí úrazu elektrickým proudem, zachycení či úrazu z jiných příčin.

Čištění

Nástroj šetrně očistěte po každém použití pomocí suché čisté textilie. Udržujte válečky čisté a bez nečistot a nánosů.

Udržujte odhrotovač čistý a bez úlomků pro maximální efektivitu.

Očistěte veškerý prach a nečistoty z větracích otvorů motoru.

Mazání

Každý měsíc (nebo častěji v případě potřeby) promažte všechny odkryté pohyblivé části elektrického řezáku trubek a stojanu PC116TS (např. šroub přísuvu, systém rychlého přísuvu, válečky a otočné body) lehkým mazacím olejem. Otrete přebytečné mazivo z obnažených ploch.

Výměna dělicího kolečka

Pro volbu správného dělicího kolečka viz *Specifikace*. Při řezání různých materiálů vyměňte dělicí kolečko, dělicí kolečko také vyměňte, když je rezná hrana odštipnutá nebo plochá. Na jednotce lze uložit dodatečné dělicí kolečko. Viz *Obrázek 13*.

1. Odstraňte kloubový čep. Držák kolečka se uvolní (*Obrázek 14*).



Obrázek 14 – Demontáž držáku kolečka

2. Odstraňte čep dělicího kolečka a dělicí kolečko/ložisko (*Obrázek 15*).
3. Zkontrolujte ložisko. Ložisko by se mělo volně pohybovat. V případě potřeby jej vyměňte.

4. Opačným způsobem demontáže nainstalujte dělicí kolečko.



Obrázek 15 – Výměna dělicího kolečka

Nadproudová ochrana motoru

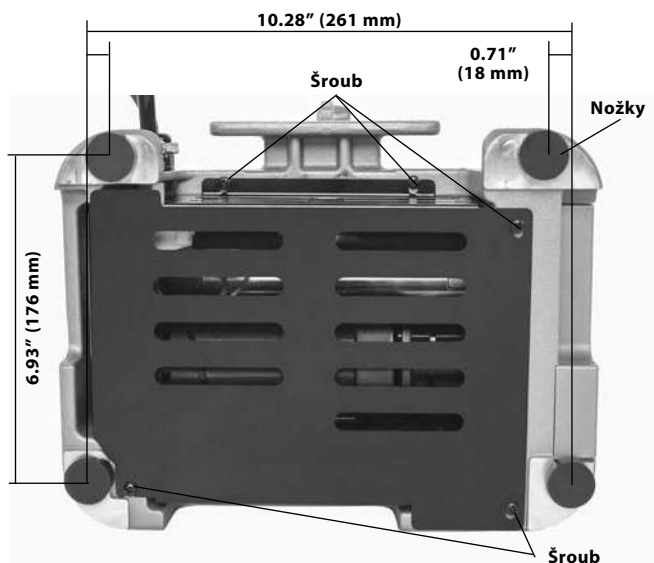
Řezák je vybaven nadproudovou ochranou, která vypíná stroj, aby chránil motor, pokud odebírá nadměrný proud.

Pokud se nástroj neočekávaně vypne, uvolněte nožní spínač. Nastavte spínač do vypnuté polohy (O-OFF) a vytáhněte nástroj ze zásuvky. Odstraňte z nástroje všechno potrubí. Řiďte se kapitolami *Kontrola před zahájením práce* a *Příprava přístroje a pracoviště*, abyste se ujistili, že nástroj funguje správně.

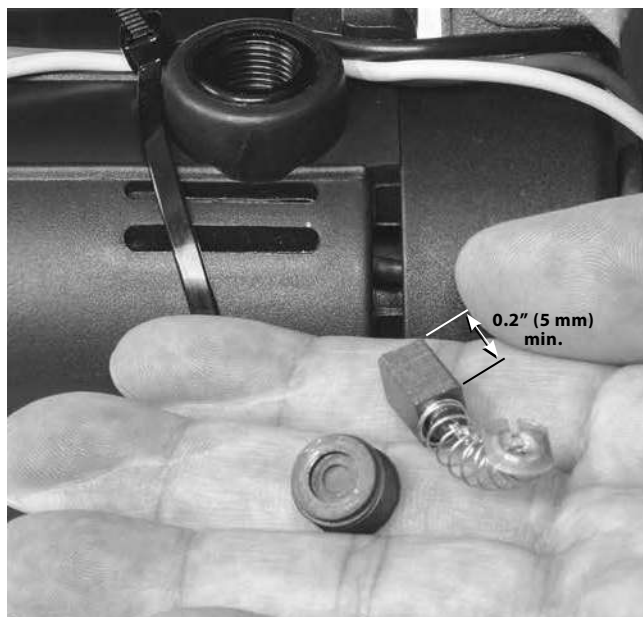
Výměna kartáčů motoru

Každých šest měsíců kontrolujte kartáče motoru, pokud je jejich délka menší než 5 mm (0.2"), je třeba je vyměnit.

1. Ujistěte se, že je spínač ve vypnuté poloze (O-OFF) a nástroj odpojený ze sítě.
2. Povolte pět šroubů, které uchycují spodní kryt (*Obrázek 16*) a sejměte kryt (některé šrouby jsou přichyceny ke krytu).
3. Pomocí šroubováku odšroubujte a vyjměte víčka kartáčů (*Obrázek 17*). Opatrně vyjměte uhlíkové kartáče a zkontrolujte jejich délku (*Obrázek 18*). Pokud je délka kartáče menší než 5 mm (0.2"), kartáče vyměňte.
4. Vložte kartáč do držáku kartáče a správně zarovnejte jazyčky kartáče s reliéfy v držáku kartáče.
5. Bezpečně utáhněte víčka kartáčů. Namontujte zpět spodní kryt.
6. Po opětovném smontování stroje spusťte stroj po dobu pěti minut ve vysoké rychlosti (II-High) bez potrubí v nástroji, aby se kartáče zapracovaly.

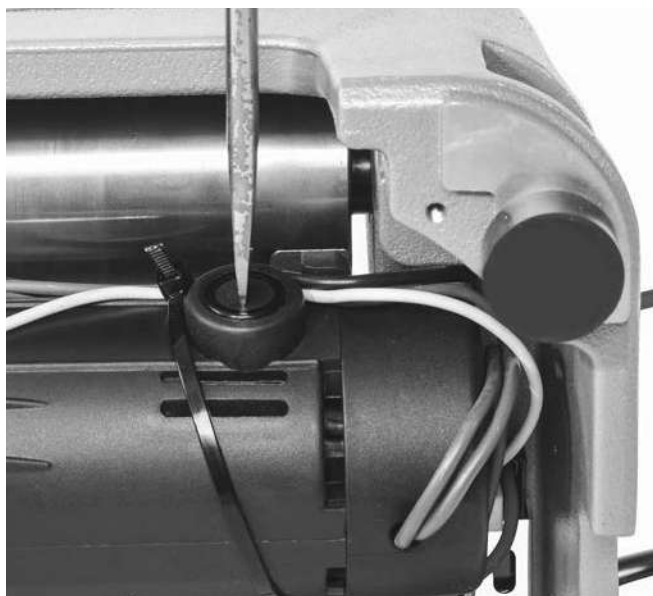


Obrázek 16 – Šrouby spodního krytu



Obrázek 18 – Kontrola délky kartáče

Naskenováním níže uvedeného QR kódu získáte přístup k literatuře a videu nástroje PC116/PTC-400.



Obrázek 17 – Demontáž víčka kartáče

Řešení problémů

PROBLÉM	MOŽNÉ DŮVODY	ŘEŠENÍ
Nadměrné vibrace během chodu.	Špatná provozní rychlost. Řezání ohnutého potrubí. Dlouhé potrubí není správně podepřeno. Nástroj není řádně připevněn.	<i>Viz Volba provozní rychlosti.</i> Neřezejte viditelně ohnuté potrubí. Použijte ruční řezák. Podepřete dlouhé potrubí pomocí potrubních stojanů. Nástroj správně připevněte na plochý povrch a přišroubujte jej připevňovacími šrouby.
Nástroj neřeže potrubí správně.	Opotřebené dělicí kolečko. Použito na nesprávném rozměru nebo materiálu potrubí.	Vyměňte opotřebené dělicí kolečko. Používejte na správný typ potrubí (viz <i>Specifikace</i>).
Při řezání se nástroj zastavuje.	Agresivní přísuv dělicího kolečka při řezání.	Šetrně vysouvejte dělicí kolečko.
Nástroj nefunguje.	Kartáče motoru jsou opotřebené. Aktivovala se ochrana proti nadměrnému proudu.	Nainstalujte nové kartáče motoru. <i>Řiďte se pokyny ohledně nadměrného proudu motoru v části Údržba.</i>
Nadměrné otřepy nebo deformace konce potrubí.	Opotřebené nebo poškozené dělicí kolečko. Agresivní přísuv dělicího kolečka při řezání.	Vyměňte dělicí kolečko. Šetrně vysouvejte dělicí kolečko.
Nástroj se zastaví při stlačení nožního spínače. Při opětovném stlačení nožního spínače se znovu rozběhne.	Otvor v nožním spínači nebo hadici. Uniká vzduchový spínač.	Vyměňte nožní spínač. Pokud není problém s nožním spínačem / hadicí nalezen, nechte vyměnit vzduchový spínač.

Servis a opravy**▲ VÝSTRAHA**

Po nevhodném servisním zásahu nebo opravě může být nástroj při práci nebezpečný.

Většinu potřebných informací o servisu tohoto nástroje naleznete v *Návodu k údržbě*. Všechny potíže, které v tomto odstavci nejsou uvedeny, musí být pojednány s nezávislým servisním střediskem společnosti RIDGID. Používejte pouze náhradní díly RIDGID.

Pro informace o vašem nejbližším nezávislém servisním středisku společnosti RIDGID nebo máte-li jakékoliv otázky týkající se servisu či oprav viz *část Kontaktní údaje* v tomto návodu.

Volitelné vybavení**▲ VÝSTRAHA**

Abyste snížili nebezpečí vážného úrazu, používejte pouze příslušenství speciálně určené a doporučené pro použití s elektrickým řezákem trubek RIDGID PC116/PTC-400, které je zde uvedeno.

Katalogové č.	Popis
64903	Stojan na potrubí PC116TS k použití spolu s nástrojem PC116/PTC-400
66253	Uhlíkový kartáč do motorů PC116 220-240 V
66248	Uhlíkový kartáč do motorů PC116 100-120 V
56662	VJ-99 28" - 52" vysoká podpěra s hlavou V
64908	Odhrotovač 137S pro nástroj PC116/PTC-400
66938	E850 dělicí kolečko (pro kovové trubky)
66943	E855 dělicí kolečko (pro plastové trubky)
64898	Ložisko dělicího kolečka

Úplný seznam příslušenství RIDGID dostupného pro tyto nástroje naleznete v online katalogu společnosti Ridge Tool na RIDGID.com nebo v *části Kontaktní informace*.

Likvidace

Některé části tohoto přístroje obsahují cenné materiály, které lze recyklovat. Existují místní společnosti, které se na recyklování specializují, a které lze najít ve vaší oblasti. Likvidujte komponenty v souladu se všemi použitelnými předpisy. Pro získání dalších informací se spojte s místním úřadem pro nakládání s odpady.



V zemích EU: Elektrická zařízení nelikvidujte spolu s domácím odpadem!

Podle evropské směrnice 2012/19/EU o odpadech elektrických a elektronických zařízení a její implementace do národní legislativy, musí být elektrické zařízení, které je již nepoužitelné, sbíráno zvlášť a likvidováno pro životní prostředí vhodným způsobem.

Rezačka rúr

Elektrická rezačka rúr PC116/PTC-400



⚠ VÝSTRAHA!

Pred používaním tohto náradia si dôkladne prečítajte návod na použitie. Nepochopenie a nedodržanie pokynov uvedených v tomto návode na použitie môže viesť k úrazom elektrickým prúdom, požiaru a/alebo vážnym zraneniam osôb.

Elektrická rezačka rúr PC116/PTC-400

Do vyznačeného priestoru nižšie uveďte výrobné číslo a uchovajte výrobné číslo výrobku uvedené na typovom štítku.

Výrob-
né č.

Obsah

Záznamový formulár pre výrobné číslo stroja	213
Bezpečnostné symboly	215
Všeobecné bezpečnostné výstrahy pre elektrické náradie	215
Bezpečnosť na pracovisku	215
Elektrická bezpečnosť	215
Bezpečnosť osôb	216
Používanie a starostlivosť o elektrické náradie	216
Servis.....	217
Špecifické bezpečnostné informácie	217
Kontaktné informácie spoločnosti RIDGID	217
Popis	217
Technické údaje	218
Štandardné vybavenie	219
Montáž	219
Upevnenie na pracovný stôl	219
Kontrola pred prevádzkou	219
Príprava stroja a pracoviska	219
Nastavenie stojana PC116TS	220
Návod na používanie	221
Nastavenie rezačky na rezanie rúr rôznych veľkostí	221
Výber/zmena prevádzkovej rýchlosti	222
Rezanie rúry.....	222
Vystruhovanie rúry	223
Preprava	224
Skladovanie	224
Pokyny na údržbu	224
Čistenie.....	224
Mazanie.....	225
Výmena rezacieho kolieska.....	225
Nadprúdová ochrana motora	225
Výmena kefiiek motora.....	225
Riešenie problémov	227
Servis a oprava.....	227
Voliteľné vybavenie	227
Likvidácia	228
Vyhlasenie ES o zhode	Vnútri zadného obalu
Doživotná záruka	Zadný kryt

* Preklad pôvodného návodu na použitie

Bezpečnostné symboly

V tomto návode na použitie a na výrobku sú použité bezpečnostné symboly a výstražné hlásenia, ktoré slúžia ako upozornenie na dôležité bezpečnostné informácie. Táto časť má pomôcť lepšie porozumieť týmto výstražným hláseniam a symbolom.



Toto je symbol bezpečnostnej výstrahy. Označuje riziko možného poranenia osôb. Dodržaním všetkých bezpečnostných pokynov, ktoré sú uvedené pod týmto symbolom, môžete predísť možným poraneniam alebo úrazom s následkom smrti.

⚠ NEBEZPEČENSTVO

NEBEZPEČENSTVO označuje nebezpečnú situáciu, ktorá bude mať za následok vážne alebo smrteľné poranenie, ak jej nepredídete.

⚠ VÝSTRAHA

VÝSTRAHA označuje nebezpečnú situáciu, ktorá môže mať za následok vážne alebo smrteľné poranenie, ak jej nepredídete.

⚠ UPOZORNENIE

UPOZORNENIE označuje nebezpečnú situáciu, ktorá môže mať za následok ľahké alebo stredne vážne poranenie, ak jej nepredídete.

POZNÁMKA

POZNÁMKA označuje informácie, ktoré sa vzťahujú na ochranu majetku.



Tento symbol znamená, že pred používaním zariadenia je nevyhnutné dôkladne si prečítať návod na použitie. Tento návod na použitie obsahuje informácie dôležité pre bezpečnosť a správnu obsluhu zariadenia.



Tento symbol znamená, že používateľ musí počas manipulácie s týmto zariadením alebo počas jeho používania vždy používať okuliare s bočnými krytmi alebo bezpečnostné okuliare, aby tak znížil riziko poranenia očí.



Tento symbol označuje riziko zásahu elektrickým prúdom.



Tento symbol indikuje riziko zachytenia alebo navinutia rúk, prstov alebo iných častí tela do valcov alebo iných pohyblivých dielov.



Tento symbol označuje riziko porezania rúk, prstov alebo iných častí tela otáčajúcimi sa alebo pohyblivými časťami.



Tento symbol označuje riziko naklonenia a spadnutia stroja, ktoré môže spôsobiť pomliaždeniny alebo iné vážne zranenia.



Tento symbol znamená, že počas prevádzky tohto zariadenia nemáte nosiť rukavice, aby sa znížilo riziko zamotania.

Všeobecné bezpečnostné výstrahy pre elektrické náradie*

⚠ VÝSTRAHA

Prečítajte si všetky bezpečnostné výstrahy, pokyny, ilustrácie a špecifikácie dodané s týmto elektrickým náradím. Nedodržanie všetkých nižšie uvedených pokynov môže mať za následok zásah elektrickým prúdom, požiar a/alebo vážne poranenie.

USCHOVAJTE VŠETKY VÝSTRAHY A POKYNY PRE PRÍPADNÉ ĎALŠIE POUŽITIE!

Pojem „elektrické náradie“ používaný vo všetkých nasledujúcich výstrahách sa vzťahuje na elektrické náradie napájané zo siete (napájacou šnúrou) alebo na elektrické náradie napájané akumulátormi (bez napájacej šnúry).

Bezpečnosť na pracovisku

- **Pracovisko udržiajte čisté a dobre osvetlené.** Preplnené a tmavé miesta priťahujú nehody.
- **Nepoužívajte elektrické náradie vo výbušnom prostredí, napríklad v prítomnosti horľavých tekutín, plynov alebo prachu.** Elektrické náradie vytvára iskry, ktoré môžu vznietiť prach alebo výpary.

- **Deti a okolostojace osoby musia byť pri práci s elektrickým náradím v dostatočnej vzdialenosti.** V prípade odpútania pozornosti by ste mohli stratiť kontrolu nad náradím.

Elektrická bezpečnosť

- **Zástrčky elektrického náradia sa musia typovo zhodovať so zásuvkami. Nikdy a žiadnym spôsobom nemodifikujte elektrické zástrčky. Nepoužívajte žiadne adaptéry, ak používate uzemnené elektrické náradie.** Nezmenené zástrčky a zodpovedajúce elektrické zásuvky znížia riziko zasiahnutia elektrickým prúdom.
- **Vyhýbajte sa telesnému kontaktu s uzemnenými povrchmi, ako sú napríklad potrubia, radiátory, sporáky a chladničky.** Ak je vaše telo uzemnené, hrozí zvýšené riziko zasiahnutia elektrickým prúdom.
- **Elektrické náradie nevystavujte dažďu ani vlhku.** Voda, ktorá vnikne do elektrického náradia, zvyšuje riziko zásahu elektrickým prúdom.
- **Nepoškodzujte napájací kábel. Nikdy nepoužívajte napájací kábel na držanie, ťahanie alebo odpájanie elektrického náradia z elektrickej siete. Šnúru chráňte pred horúčavou, olejom, ostrými hranami alebo pohybujúcimi sa časťami zariadenia.** Poškodené alebo zamotané káble zvyšujú riziko zasiahnutia elektrickým prúdom.

* Text použitý v časti Všeobecné bezpečnostné výstrahy pre elektrické náradie tohto návodu je doslovný, ako to vyžaduje platná norma UL/CSA/EN 62841-1. Táto časť obsahuje všeobecné bezpečnostné postupy pre mnohé rôzne typy elektrického náradia. Nie každé bezpečnostné opatrenie platí pre každé náradie a niektoré neplatia pre toto náradie.

- **Ak pracujete s elektrickým náradím vo vonkajšom prostredí, používajte len také predlžovacie káble, ktoré sú vhodné na použitie vo vonkajšom prostredí..** Používanie predlžovacieho kábla určeného na použitie vo vonkajšom prostredí znižuje riziko zásahu elektrickým prúdom.
- **Ak je prevádzka elektrického náradia vo vlhkom prostredí nevyhnutná, použite prerušovač elektrického obvodu (GFCI) s uzemnenou prúdovou ochranou.** Použitie prerušovača GFCI znižuje riziko zásahu elektrickým prúdom.

Bezpečnosť osôb

- **Pri práci s elektrickým náradím buďte pozorní, konajte uvážlivo a sústreďte sa vždy na to, čo práve robíte. Nepoužívajte elektrické náradie, ak ste unavení, pod vplyvom drog, alkoholu alebo liekov.** Chvilková nepozornosť pri práci s elektrickým náradím môže mať za následok vážne zranenie osôb.
- **Používajte osobné ochranné prostriedky. Vždy používajte ochranu očí.** Ochranné vybavenie, ako sú maska proti prachu, protišmyková obuv, ochranná prilba alebo chrániče sluchu, použité vo vhodných podmienkach znížia nebezpečenstvo poškodenia zdravia.
- **Zabráňte neočakávanému spusteniu. Pred pripojením elektrického náradia k napájaciemu zdroju a/alebo batérii, zdvihnutím alebo nosením sa uistite, že prepínač je v polohe OFF (VYP).** Pri nosení elektrického náradia s prstom na spínači alebo pripojení elektrického náradia, ktoré má spínač v polohe ON (ZAP), k napätiu, je veľmi pravdepodobné, že dôjde k nehode.
- **Pred presunutím spínača elektrického náradia do polohy ON (ZAPNUTÉ) odstráňte všetky nastavovacie alebo francúzske kľúče..** Francúzsky kľúč alebo kľúč ponechaný na otáčajúcej sa časti elektrického náradia môže spôsobiť zranenie osôb.
- **Nenaťahujte sa príliš ďaleko. Stále udržiavajte pevný postoj a rovnováhu.** To umožňuje lepšie ovládanie elektrického náradia v neočakávaných situáciách.
- **Pri práci noste vhodný pracovný odev. Neobliekajte si volné oblečenie a nenoste šperky. Dbajte na to, aby sa vám vlasy a odev nedostali do pohyblivých častí.** Volný odev, šperky alebo dlhé vlasy sa môžu zachytiť do pohyblivých častí.
- **Ak používate zariadenia na odsávanie a zhromažďovanie prachu, uistite sa, že sú pripojené a používané správne..** Použitie zariadenia na odsávanie prachu môže zmierniť riziko spojené s prašnosťou.
- **Nedovoľte, aby vás dobrá znalosť získaná častým používaním náradia viedla k ľahkovážnosti a ignorovaniu bezpečnostných princípov..** Nedbanlivý úkon môže spôsobiť závažné poranenie v zlomku sekundy.

Používanie a starostlivosť o elektrické náradie

- **Elektrické náradie nepreťažujte. Použite správne elektrické náradie pre vašu aplikáciu.** Pomocou správneho elektrického náradia budete môcť vykonať požadovanú úlohu lepšie a bezpečnejšie rýchlosťou, pre ktorú je náradie skonštruované.
- **Nepoužívajte elektrické náradie, ak sa prepínač nedá prepnúť do polohy ON (ZAPNUTÉ) a OFF (VYPNUTÉ)..** Akékoľvek elektrické náradie, ktoré nie je možné ovládať vypínačom, je nebezpečné a musí sa opraviť.
- **Pred nastavovaním elektrického náradia, výmenou príslušenstva alebo uskladnením elektrického náradia odpojte zástrčku z elektrickej siete a/alebo batériu (ak ju možno odpojiť).** Takéto preventívne bezpečnostné opatrenia znižujú riziko neočakávaného uvedenia elektrického náradia do prevádzky.
- **Nepoužívané elektrické náradie skladujte mimo dosahu detí a osôb, ktoré nie sú dostatočne oboznámené s takýmto elektrickým náradím či týmto návodom na použitie náradia.** Používanie elektrického náradia neškolenými osobami je nebezpečné.
- **Vykonávajte riadnu údržbu elektrického náradia. Skontrolujte, či sú pohyblivé súčiastky náradia správne zarovnané, či sa nezasekávajú, či nie sú zlomené alebo inak poškodené, čo by mohlo ovplyvniť fungovanie elektrického náradia. Pred použitím elektrického náradia dajte poškodené súčiastky opraviť.** Príčinou mnohých úrazov býva nedostatočná údržba elektrického náradia.
- **Rezné nástroje udržiavajte ostré a čisté..** Starostlivo ošetrované rezné nástroje s ostrými hranami sa menej často zasekávajú a ľahšie sa ovládajú.
- **Elektrické náradie, príslušenstvo, nástavce náradia a pod. používajte podľa tohto návodu na použitie. Zohľadnite pritom konkrétne pracovné podmienky a činnosť, ktorú máte vykonať.** Používanie elektrického náradia na iné ako určené účely môže vyvolať nebezpečnú situáciu.
- **Rukoväte a uchopovacie povrchy udržiavajte suché, čisté a bez oleja a mazív.** Klzké rukoväte a uchopovacie povrchy neumožňujú bezpečnú manipuláciu a ovládanie náradia v neočakávaných situáciách.

Servis

- Elektrické náradie zverte do opravy iba kvalifikovanému odborníkovi a používajte iba originálne náhradné súčiastky. Tým zaistíte bezpečnosť elektrického náradia.

Špecifické bezpečnostné informácie

⚠ VÝSTRAHA

Táto časť obsahuje dôležité bezpečnostné informácie, ktoré sú špecifické pre tento nástroj.

Pred použitím elektrickej rezačky rúr PC116/PTC-400 si pozorne prečítajte tieto pokyny, aby sa znížilo riziko zasiahnutia elektrickým prúdom alebo iného vážneho zranenia.

USCHOVAJTE VŠETKY VÝSTRAHY A POKYNY PRE PRÍPADNÉ ĎALŠIE POUŽITIE!

Tento návod uchovávajte pri stroji pre potreby operátora.

- **Pri obsluhu elektrickej rezačky rúr nenoste rukavice ani voľné oblečenie. Rukávy a bundy majte vždy zapnuté.** Nesiahajte na miesta ponad zariadenie. Stroj môže zachytiť oblečenie, čo by mohlo mať za následok zamotanie.
- **Ruky udržujte mimo otáčajúcich sa častí, ako sú valce, výstružník, rezacie koliesko a rúra. Pred manipuláciou s náradím alebo rúrou počkajte, kým sa diely úplne nezastavia.** Znížite tak pravdepodobnosť zachytenia rotujúcimi dielmi.
- **Zaistite stroj na pevnom pracovnom stole alebo stojane. Náležitým spôsobom podporte rúry.** Tým sa zníži riziko poranenia v dôsledku zasiahnutia a rozdrvenia, ku ktorému môže dôjsť pri prevrátení alebo spadnutí rúry a zariadenia.
- **Nerežte viditeľne ohnuté rúry či rúry s pripevnenými fittingami.** Znižuje riziko nadmerných vibrácií a straty kontroly nad strojom a/alebo rúrou.
- **Majte vždy nasadenú vhodnú ochranu očí a osobné ochranné prostriedky.** Rezacie nástroje sa môžu zlomiť alebo roztrieštiť. Týmto sa zníži riziko poranenia.
- **Pracovný proces smie vykonávať a nožný spínač smie ovládať len jedna osoba.** V pracovnom priestore stroja počas činnosti sa môže nachádzať iba operátor. Toto pomáha znížiť riziko poranenia.
- **Pred obsluhou tohto náradia si dôkladne preštudujte tieto pokyny a výstrahy pre celé vybavenie a materiál, ktorý sa používa, čím sa zamedzí riziku vážneho zranenia osôb.**

Kontaktné informácie spoločnosti RIDGID

Ak máte akékoľvek otázky, ktoré súvisia s týmto výrobkom značky RIDGID®:

- Kontaktujte svojho miestneho distribútora RIDGID®.
- Navštívte webovú stránku RIDGID.com, kde nájdete lokálny kontaktný bod RIDGID.
- Kontaktujte oddelenie technických služieb spoločnosti Ridge Tool prostredníctvom e-mailu rtctechservices@emerson.com alebo v USA a Kanade volajte na číslo (800) 519-3456.

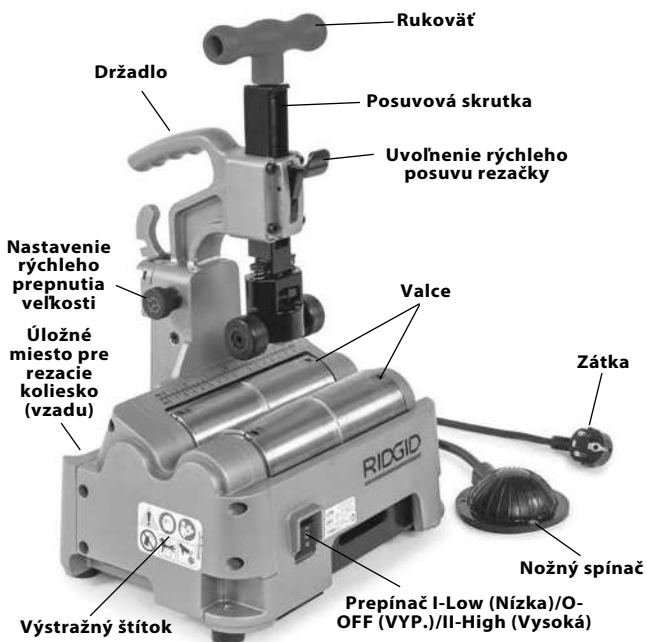
Popis

Elektrická rezačka rúr RIDGID® PC116/PTC-400 je navrhnutá na rezanie kovových a plastových rúr/potrubí s menovitou veľkosťou ½" až 4" (12 až 100 mm).

Prepínač s dvomi rýchlosťami reguluje rýchlosť otáčania valcov a pneumatickým nožným spínačom sa zapína/vypína (ON/OFF) motor. Súčasťou je aj stupnica na meranie rúr. Elektrická rezačka rúr je ľahká a kompaktná, čo uľahčuje jej prenášanie.

Voliteľný výstružník je k dispozícii na odstránenie drsných hrán z vnútornej strany rúr až do 2" (50 mm).

Rezačka rúr je navrhnutá na použitie s trúbkami.



Obrázok 1 – Elektrická rezačka rúr RIDGID® PC116/PTC-400



Obrázok 2 – Výrobné číslo stroja

Výrobné číslo stroja sa nachádza na bočnej strane rezačky. Posledné 4 číslice označujú mesiac a rok výroby. (10 = mesiac, 19 = rok).

Technické údaje

Menovitá veľkosť rúry

Kapacita rezania..... ½" až 4" (12 mm až 100 mm)

Skutočná kapacita rezania..... ½" až 4.5" (12 mm až 116 mm)

Materiál rúry/ potrubia*	Maximálna hrúbka steny	Rezačné koliesko	
		E-850 Kat. #66938	E-855 Kat. #66943
Uhlíková oceľ	0.1" (2,5 mm)	X	
Nehrdzavejúca oceľ	0.1" (2,5 mm)	X	
Hliník	0.1" (2,5 mm)	X	
Meď	0.1" (2,5 mm)		X
Plast	0.23" (6 mm)		X

* Toto je len všeobecné usmernenie. Na rezanie, životnosť kolieska, tvorbu drsných hrán a pod. má vplyv typ materiálu, tvrdosť a ďalšie faktory.

Menovitá kapacita

vystružovania..... ½" až 2" (12 mm až 50 mm)
(voliteľné príslušenstvo)

Max. dĺžka rúry..... 20' (6 m)

Motor

Typ..... Univerzálny

Napätie..... 100 – 120 V 220 – 240 V

Prúd..... 5,8 A 3,0 A

Frekvencia..... 50/60 Hz 50/60 Hz

Výkon..... 705 W 705 W

Informácie špecifické pre dané zariadenie sú uvedené na štítku s výrobným číslom výrobku.

Rýchlosť otáčania valcov..... 190/363 ot./min pre typ s výkonom 220 – 240 V, 225/385 ot./min pre typ s výkonom 100 – 120 V

Ovládacie prvky..... Prepínač I-LOW (NÍZKA)/O-OFF (VYP.)/II-HIGH (VYSOKÁ) a nožný spínač na ON/OFF (ZAP./VYP.)

Hmotnosť..... 32 lbs. (14,5 kg)

Celkové rozmery

D x Š x V..... 11.6" x 9.4" x 15.9"
(295 mm x 239 mm x 403 mm)

Prevádzková teplota..... -4°F až 122°F (-20 °C až 50 °C)

Akustický tlak (L_{PA})*..... 82,3 dB(A), K=3

Akustický výkon (L_{WA})*..... 93,3 dB(A), K=3

* Zvuk sa meria v súlade so štandardizovaným testovaním podľa normy EN 62481-1. - Emisie zvuku sa môžu líšiť v závislosti od vašej polohy a konkrétneho použitia tohto náradia.

- Pri každej aplikácii treba vyhodnocovať denné úrovne pôsobenia zvuku a v prípade potreby treba prijať príslušné bezpečnostné opatrenia. Pri vyhodnocovaní úrovne expozície treba zohľadniť dobu, keď je náradie vypnuté (OFF) a nepoužíva sa. Takto môže dôjsť k výraznému zníženiu úrovne expozície v priebehu celkovej pracovnej doby.

Štandardné vybavenie

Podrobnosti o vybavení dodanom so strojom s konkrétnymi katalógovými číslami sú uvedené v katalógu produktov značky RIDGID.

POZNÁMKA Za výber vhodných materiálov a inštalácie, metódy spojenia a tvárnenia, je zodpovedný projektant a/alebo montér systému. Výber nesprávnych materiálov a metód by mohol spôsobiť zlyhanie systému.

Počas montáže, spájania a tvarovania môže dôjsť ku kontaminácii nerezovej ocele a iných materiálov odolných voči korózii. Táto kontaminácia by mohla spôsobiť koróziu a predčasnú zlyhanie materiálu. Pred akoukoľvek inštaláciou je nutné vykonať dôsledné vyhodnotenie materiálov a metód pre špecifické prevádzkové podmienky vrátane chemického pôsobenia a teploty.

Na zníženie rizika kontaminácie nehrdzavejúcej ocele železom sa uistite, že sú valce čisté a nenachádzajú sa na nich žiadne úlomky. Dôkladne ich vyčistite kefou z nehrdzavejúcej ocele. Pred použitím materiálu z nehrdzavejúcej ocele vymeňte rezacie koliesko a výstružník. Osvedčeným postupom je vyčleniť jedno rezacie koliesko na nehrdzavejúcu oceľ.

Montáž

⚠ VÝSTRAHA

Aby sa znížilo riziko vážneho zranenia počas používania zariadenia, dodržiavajte nasledujúce postupy na správnu montáž. Pred montážou musí byť spínač v polohe OFF (VYP.) a stroj odpojený z elektrickej siete.

Upevnenie na pracovný stôl

Stroj sa môže namontovať na rovný, stabilný pracovný stôl. Na pripevnenie jednotky na pracovný stôl treba zo všetkých štyroch rohov základne stroja odskrutkovať gumené pätky (pozri Obrázok 16). Následne treba stroj prichytiť k pracovnému stolu pomocou skrutiek M8. Dôkladne ich utiahnite.

Kontrola pred prevádzkou

⚠ VÝSTRAHA



Pred každým použitím elektrickej rezačky rúr skontrolujte a odstráňte všetky problémy. Znížte tým riziko vážneho zranenia v dôsledku zasiahnutia elektrickým prúdom, zamotania sa, zranení pomliaždením a iných príčin vrátane poškodenia stroja.

kým prúdom, zamotania sa, zranení pomliaždením a iných príčin vrátane poškodenia stroja.

1. Uistite sa, že je elektrická rezačka rúr odpojená z elektrickej siete.
2. Vyčistite stroj a všetko zariadenie vrátane rukovätí a ovládacích prvkov. Tým uľahčíte kontrolu a zabránite tomu,

aby sa vám z rúk vyšmykol ovládací prvok alebo stroj. Čistenie a údržbu stroja vykonávajte podľa pokynov na údržbu.

3. V súvislosti s elektrickou rezačkou rúr skontrolujte nasledovné:
 - Skontrolujte, či kábel a zástrčka nie sú poškodené alebo pozmenené.
 - Správnosť montáže, stav údržby a úplnosť.
 - Akékoľvek poškodené, opotrebované, chýbajúce, nesprávne nasadené alebo viazané časti alebo iné poškodenia.
 - Prítomnosť a funkcia nožného spínača. Skontrolujte, či je nožný spínač pripojený, v dobrom stave, či sa pohybuje hladko a nelepí sa.
 - Voľný pohyb posuvovej skrutky, rezacieho kolieska a podporných valčekov.
 - Prítomnosť a čitateľnosť výstražných a iných štítkov (pozri Obrázok 1).
 - Skontrolujte rezné hrany rezacieho kolieska a výstružníka z hľadiska opotrebovania, deformácie, naštípenia alebo iných problémov. Tupé, poškodené alebo uvoľnené rezacie časti môžu poškodiť nástroj, vytvoriť nedostatočne kvalitný rez a zvýšiť riziko poranenia.
 - Ak používate stojany PC116TS, čistite, kontrolujte a mažte ich podľa potreby.
 - Akýkoľvek stav, ktorý by mohol brániť bezpečnej a normálnej činnosti.
- Ak sa vyskytnú akékoľvek problémy, náradie nepoužívajte, kým problémy nebudú odstránené.
4. Podľa príslušných pokynov vykonajte kontrolu a údržbu všetkých ostatných použitých zariadení, aby ste zaistili ich správnu funkčnosť.

Príprava stroja a pracoviska

⚠ VÝSTRAHA



Elektrickú rezačku rúr nastavte a pracovnú oblasť pripravte podľa týchto postupov, aby sa znížilo riziko vážneho poranenia v dôsledku zasiahnutia elektrickým prúdom, zamotania sa, zranení pomliaždením a iných príčin a aby sa zabránilo poškodeniu stroja.

1. Skontrolujte pracovisko ohľadne nasledujúcich bodov:
 - Dostatočné osvetlenie.
 - Prítomnosť horľavých kvapalín, výparov alebo prachu, ktoré sa môžu vznietiť. Ak sú prítomné,

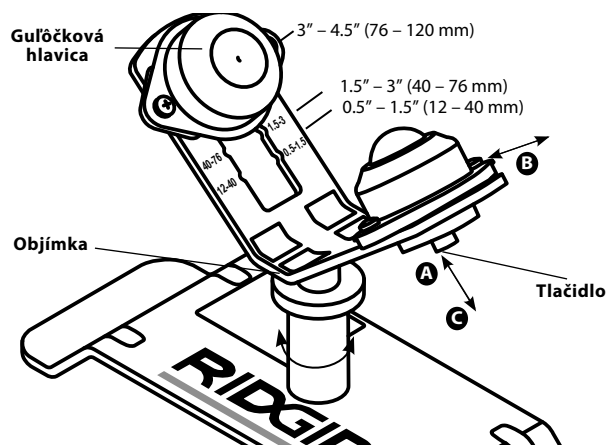
nepracujte v takomto prostredí, kým nie sú identifikované zdroje možného vznietenia a kým sa neuskutoční náprava. Rezačka nie je odolná proti výbuchu a môže vytvárať iskry.

- Čisté, vodorovné, stabilné a suché miesto pre všetky zariadenia a operátora.
 - Riadne uzemnená elektrická zásuvka so správnym napätím. Požadované napätie nájdete na štítku s výrobným číslom stroja. Trojholíková zásuvka alebo zásuvka s prúdovým chráničom (GFCI) nemusí byť správne uzemnená. Ak máte pochybnosti, nechajte zásuvku skontrolovať licencovaným elektrikárom.
2. Skontrolujte prácu, ktorá sa má vykonať. Určite materiál, typ a veľkosť rúry. Určte správne zariadenie pre danú prácu. *Pozri časť Technické údaje.*
 3. Overte, či bolo všetko zariadenie, ktoré sa má použiť, riadne skontrolované a namontované.
 4. Stroj umiestnite na plochý, rovný a stabilný povrch. Pozri oddiel „Upevnenie na pracovný stôl“ v časti Montáž. Overte, či je jednotka stabilná a zaistená.
 5. Ak rúra vyčnieva zo stroja o viac ako 6" (15 cm), použite minimálne jeden vhodný stojan na jej podopretie. Stojany treba umiestniť do roviny s valcami. Pri dlhšej rúre budete možno potrebovať viac ako jeden stojan. Používajte iba stojany vyhradené na tento účel. Nesprávne podpory alebo ručné podopretie rúry môžu spôsobiť zranenia v dôsledku prevrátenia alebo zamotania sa. Neprekračujte vyznačenú kapacitu stojana. Ak rezačka a stojan spočívajú na tej istej ploche, na podopretie rúry použite stojan na rúry RIDGID PC116TS.

Pri práci na pracovnom stole alebo na inej vyvýšenej pracovnej ploche je možné na podopretie rúry použiť rôzne stojany na rúry od spoločnosti RIDGID. Ak používate rezačku PC116/PTC-400 na zemi, na podopretie rúry použite stojan na rúry RIDGID PC116TS. *Pozri Obrázok 3.*



Obrázok 3 – Umiestnenie stojana



Obrázok 4 – Nastavenie stojana PC116TS

Nastavenie stojana PC116TS

Stojan PC116TS je voliteľné príslušenstvo navrhnuté na použitie s rezačkou PC116/PTC-400 a neslúži na žiadne iné účely.

Nastavenie guľôčkových hlavíc podľa veľkosti rúry:

- a. Stlačte tlačidlo **A**.
- b. Guľôčkovú hlavicu presuňte do správnej polohy podľa veľkosti rúry (*pozri Obrázok 4*) **B**.
- c. Uvoľnite tlačidlo – overte bezpečné umiestnenie **C**.

Na nastavenie výšky stojana otočte objímku a zdvihnite alebo spustite hlavicu stojana. Stojan je navrhnutý tak, aby sa umiestnil na rovnakom plochom povrchu ako rezačka PC116/PTC-400 **C**. *Pozri Obrázok 3.* Podľa potreby možno na vyvýšenie stojana použiť vhodné podložky (ako napríklad kus dreva).

6. Obmedzte prístup alebo nastavte ochranné kryty alebo zábrany, aby ste okolo stroja a rúry vytvorili priestor s veľkosťou minimálne 3 stopy (1 m). Tým zabránite, aby osoby, ktoré nepracujú na stroji, prišli do kontaktu so strojom alebo rúrou, a znížite aj riziko prevrátenia alebo zamotania sa.
7. Umiestnite nožný spínač podľa obrázku 8 aby ste zabezpečili správnu pracovnú polohu.
8. Keď je spínač v polohe O-OFF (VYP.), vedte kábel po voľnej trase. Suchými rukami zapojte napájací kábel do riadne uzemnenej elektrickej zásuvky. Udržujte všetky elektrické spoje suché a nad úrovňou podlahy. Ak napájací kábel nie je dostatočne dlhý, použite predlžovací kábel, ktorý:
 - je v dobrom stave;
 - má trojkolíkovú zástrčku ako elektrická rezačka rúr;
 - je vyhradený na vonkajšie použitie;
 - má dostatočnú dĺžku. V prípade predlžovacích káblov s dĺžkou až 50' (15,2 m) použite typ vodiča minimálne 14 AWG (2,5 mm²). V prípade predlžovacích káblov s dĺžkou 50' – 100' (15,2 m – 30,5 m) použite typ vodiča minimálne 12 AWG (2,5 mm²).
9. Skontrolujte správnu prevádzku elektrickej rezačky rúr. Holými rukami:
 - Prepínač rýchlosti prepnete do polohy I-LOW (NÍZKE). Stlačte a uvoľnite nožný spínač. Valce sa začnú točiť v smere, ktorý naznačujú šípky na obrázku 5. Ak sa stroj neotáča v správnom smere alebo ak sa nožným spínačom nedá ovládať prevádzka stroja, nepoužívajte stroj, kým nebude opravený.
 - Stlačte a podržte nožný spínač stlačený. Skontrolujte pohyblivé časti, či nie sú nesprávne zarovnané, zaseknuté, či stroj nevydáva neobvyklé zvuky alebo či nepozorujete iný nezvyčajný stav. Stiahnite nohu z nožného spínača. Ak sa vyskytnú akékoľvek nezvyčajné podmienky, nepoužívajte stroj, kým nebude opravený.

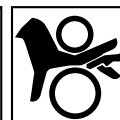


Obrázok 5 – Smer otáčania valcov

10. Prepnete prepínač rýchlosti do polohy O-OFF (VYP.) a suchými rukami odpojte stroj z elektrickej siete.

Návod na používanie

⚠ VÝSTRAHA



Pri obsluhu elektrickej rezačky rúr nenoste rukavice ani volné oblečenie. Rukávy a bundy majte vždy zapnuté.

Nesiahajte na miesta ponad zariadenie. Stroj môže zachytiť oblečenie, čo by mohlo mať za následok zamotanie.

Ruky udržiavajte mimo otáčajúcich sa častí, ako sú valce, výstružník, rezacie koliesko a rúra. Pred manipuláciou s náradím alebo rúrou počkajte, kým sa diely úplne nezastavia. Znížite tak pravdepodobnosť zachytenia rotujúcimi dielmi.

Náležitým spôsobom podporte rúry. Tým sa zníži riziko poranenia v dôsledku zasiahnutia a rozdrvenia, ku ktorému môže dôjsť pri prevrátení alebo spadnutí rúry a zariadenia.

Pracovný proces smie vykonávať a nožný spínač smie ovládať len jedna osoba. V pracovnom priestore stroja počas činnosti sa môže nachádzať iba operátor. Toto pomáha znížiť riziko poranenia.

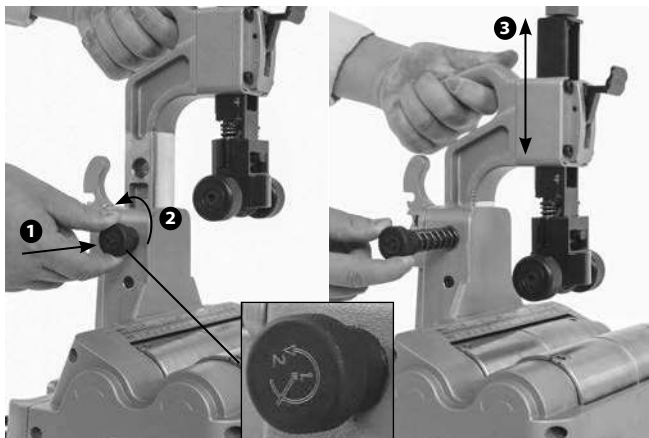
Postupujte podľa návodu na používanie, aby sa znížilo riziko vážneho poranenia v dôsledku zasiahnutia elektrickým prúdom, zamotania sa, zranení pomliaždením a iných príčin a aby sa zabránilo poškodeniu stroja.

Uistite sa, že stroj a pracovisko sú riadne pripravené a že na pracovisku sa nenachádzajú neoprávnené osoby ani nič iné, čo by mohlo odpútať pozornosť. Pri prevádzke stroja má byť operátor jediným človekom v príslušnej oblasti.

Nastavenie rezačky na rezanie rúr rôznych veľkostí

Nastavenie rýchleho prepnutia veľkosti

Na rýchle nastavenie veľkosti rúr v rozsahu od 2" (50 mm) a menších a od 2" do 4" (50 mm až 100 mm) je k dispozícii nastavenie rýchleho prepnutia veľkosti.



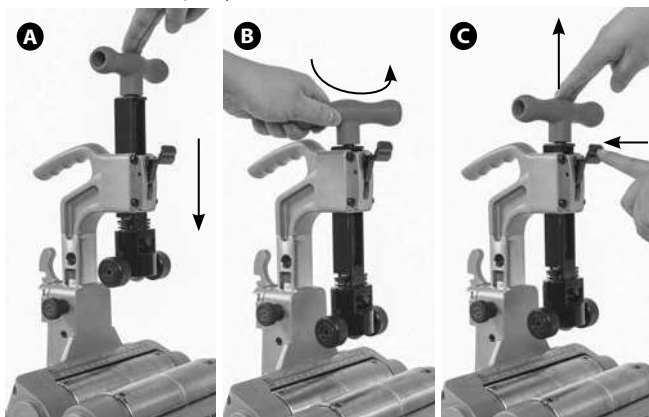
Obrázok 6 – Nastavenie rýchleho prepnutia veľkosti

1. Keď sa v rezačke nenachádza žiadna rúra, uchopte držadlo a uvoľnite kolík jemným stlačením gombíka ❶ a jeho miernym pootáčením proti smeru hodinových ručičiek ❷. Gombík obsahuje pružinu, vďaka ktorej sa vysunie. Preto treba pohyb gombíka kontrolovať. *Pozri obrázok 6.*
2. Pomocou držadla presuňte hlavicu do požadovanej polohy ❸.
3. Vložte gombík rýchleho prepnutia, čím sa hlavica pridrží v danej polohe.

Nastavenie rýchleho posuvu rezačky

Nastavenie rýchleho posuvu rezačky sa používa na spustenie rezacieho kolieska nadol alebo jeho vytiahnutie nahor počas rezania.

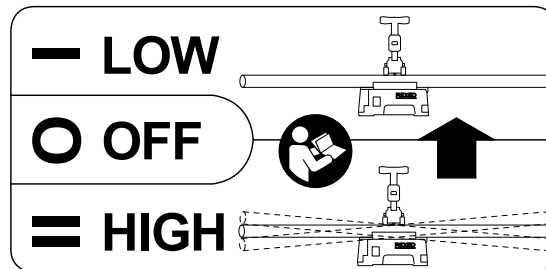
1. Na spustenie rezacieho kolieska nadol tlačte rukoväť smerom nadol (Obrázok 7A), kým sa nedotkne rúry.
2. Na vytiahnutie rezacieho kolieska nahor uvoľníte rukoväť/posuvovú skrutku o 1 – 2 otáčky (Obrázok 7B) a zatlačte uvoľňovaciu páčku (Obrázok 7C), čím sa koliesko vytiahne nahor (keďže sa tu nachádza pružina, treba kontrolovať pohyb rukoväti).



Obrázok 7 – Rýchly posuv: A – spustenie nadol, B – uvoľnenie, C – vytiahnutie nahor

Výber/zmena prevádzkovej rýchlosti

Elektrická rezačka rúr má dve prevádzkové rýchlosti – LOW (NÍZKA) a HIGH (VYSOKÁ). *Pozri Obrázok 8.*



Obrázok 8 – Štítok s rýchlosťou

Rýchlosť LOW (NÍZKA) (nastavenie prepínača do polohy I-Low (Nízka)). Znižuje riziko vibrácií a oscilácie rúry počas používania.

Odporúča sa pre rúry s priemerom 2" (50 mm) a menšie a s dĺžkou viac ako 6.5' (2 m).

Rýchlosť HIGH (VYSOKÁ) (nastavenie prepínača do polohy II-High (Vysoká)). Znižuje čas rezania.

Pre rúry s väčším priemerom ako 2" (50 mm) ľubovoľnej dĺžky.

Pre ľubovoľné rúry kratšie ako 6.5' (2 m).

Vibrácie a oscilácia rúry závisia od viacerých faktorov, ako napríklad dĺžka rúry, jej veľkosť, hmotnosť, rovnosť, zarovnanie stojana, rýchlosť otáčania valcov atď. Ak sa vám bude kedykoľvek zdať, že rúra nadmerne vibruje či osciluje, uvoľníte nožný spínač. Ak je prepínač rýchlosti v polohe II-High (Vysoká), prepnite ho na rýchlosť I-Low (Nízka) a skúste to znova. Ak je prepínač rýchlosti v polohe I-Low (Nízka), odrežte daný kus iným spôsobom, napríklad ručnou rezačkou.

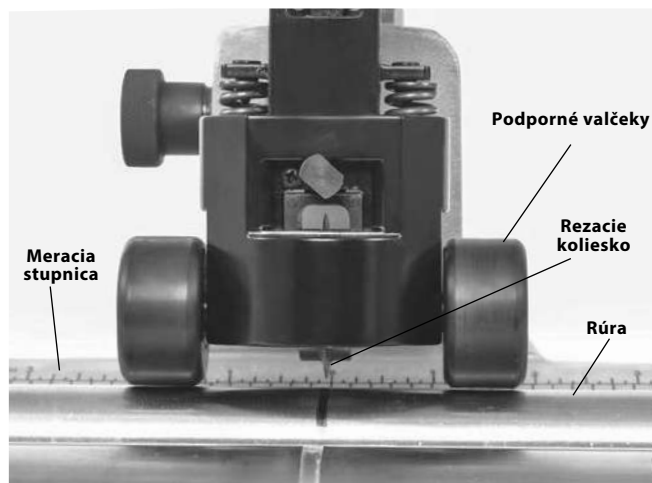
Ak chcete zmeniť rýchlosť, uvoľníte nožný spínač a počkajte, kým sa rezačka úplne nezastaví. Prepnite prepínač do požadovanej polohy. Nemeňte prevádzkovú rýchlosť, keď je stroj spustený.

Rezanie rúry

1. Overte, či rúra nie je viditeľne ohnutá a či k nej nie sú pripojené žiadne fittingy. Rezanie ohnutých rúr alebo rúr s fittingami môže viesť k nadmerným vibráciám a strate kontroly. Podľa potreby použite ručnú rezačku. Označte požadovanú dĺžku rúry. Na uľahčenie sa na stroji nachádza meracia stupnica.
2. Podľa potreby nastavte na elektrickej rezačke rúr rozsah veľkostí pomocou nastavenia rýchleho prepnutia veľkosti.
3. Rúru umiestnite na valce tak, aby sa značka pre rezanie nachádzala pod rezacím kolieskom, na nule na stupnici. Ak rúra vyčnieva zo stroja, umiestnite pod ňu stojany. Podpery treba nastaviť tak, aby rúra spočívala na valcoch rovno.

To pomôže zaistiť správne sledovanie rezu. Pozri Obrázok 3.

4. Zaujmite správnu pracovnú polohu, aby ste pomohli zachovať kontrolu nad strojom a rúrou (pozri Obrázok 10):
 - Presvedčte sa, že máte dobrý prístup k nástrojom a spínaču.
 - Uistite sa, že dokážete ovládať nožný spínač. Zatiaľ ešte nestláčajte nožný spínač. V núdzových prípadoch musí byť pre vás možné nožný spínač uvoľniť.
 - Uistite sa, že máte vyvážený postoj a nemusíte siahať príliš ďaleko.
5. Systém rýchleho posuvu spúšťajte nadol dovtedy, kým sa podporné valčeky nebudú dotýkať rúry (Obrázok 9). Rezacie koliesko zarovnajte so značkou na rúre. Utiahnite posuvovú skrutku tak, aby sa rezacie koliesko dostalo do kontaktu s rúrou. Keď sa rezacie koliesko dotýka rúry, posuvovú skrutku posuňte nadol o ďalšiu 1 až 1½ otáčky, aby došlo k zachyteniu rúry. Posuvovú skrutku nespúšťajte nadol príliš, pretože by mohlo dôjsť k zdeformovaniu rúry a zvýšeniu tvorby drsných hrán.



Obrázok 9 – Podporné valčeky v kontakte s rúrou

6. Prepínač I-Low (Nízka)/O-OFF (VYP.)/II-High (Vysoká) prepnete do správnej polohy pre rúru, ktorú idete rezať.
7. Stlačte nožný spínač. Valce a rúra sa začnú otáčať. Ruky držte mimo otáčajúcich sa častí.



Obrázok 10 – Rezanie rúry

8. Posuvovú skrutku spúšťajte nadol jej pomalým a plynulým ťahovaním, kým nedôjde k odrezaniu rúry. Agresívne rezanie môže viesť k poškodeniu rezacieho kolieska a nadmernej tvorbe drsných hrán. Podporné valčeky udržiavajte v kontakte s rúrou, čo pomôže udržať rúru na mieste.

Ak sa rúra počas rezania špirálovito točí, prestaňte rezať a skontrolujte nastavenie stroja, najmä vyrovnanie stojanov na rúru. V prípade rôznych materiálov rúr bude možno potrebné menšie dodatočne utiahnutie posuvovej skrutky na zabezpečenie lepšieho sledovania.
9. Stiahnite nohu z nožného spínača. Následne prepnete prepínač I-Low (Nízka)/O-OFF (VYP.)/II-High (Vysoká) do polohy O-OFF (VYP.).
10. Keď sa rúra prestane otáčať, uvoľnite posuvovú skrutku o 1 – 2 otáčky a stlačte uvoľňovaciu páčku pre úplné vytiahnutie rezacieho kolieska nahor. Odstráňte rúru.

Vystruhovanie rúry



Obrázok 11 – Inštalácia výstružníka

1. Prepínač I-Low (Nízka)/O-OFF (VYP.)/II-High (Vysoká) prepnite do polohy O-OFF (VYP.).
2. Z príslušného úložného miesta zložte výstružník a namontujte ho do polohy na použitie, ako to zobrazuje *Obrázok 11*. Overte, či je výstružník bezpečne namontovaný.
3. Prepnite prepínač I-Low (Nízka)/O-OFF (VYP.)/II-High (Vysoká) do polohy I-Low (Nízka).
4. Stlačte nožný spínač. Ruky udržiajte mimo koncov rúry a otáčajúcich sa častí.
5. Bezpečne zachyťte rúru. Rúru náležitým spôsobom podporte, tak aby vám to umožnilo udržať nad ňou kontrolu.
6. Rúru umiestnite na kužel výstružníka a za použitia jemného tlaku (*Obrázok 12*) odstráňte drsné hrany z vnútornej strany konca rúry. Rúru nepritláčajte do výstružníka, pretože by výstružník mohol rúru zachytiť a roztočiť vám ju v rukách.



Obrázok 12 – Vystruhovanie rúry

7. Stiahnite nohu z nožného spínača.
8. Prepínač I-Low (Nízka)/O-OFF (VYP.)/II-High (Vysoká) prepnite do polohy O-OFF (VYP.).
9. Zložte výstružník z polohy na použitie a vráťte ho späť na príslušné úložné miesto.

Preprava

1. Pred presunutím zo stroja odstráňte všetko voľné zariadenie a materiál alebo ich zaistite na stroji, aby ste predišli pádu alebo prevráteniu.
2. Rezacie koliesko umiestnite do dolnej polohy.
3. Napájací kábel a hadicu nožného spínača obmotajte okolo háčika na kábel a zaistite, ako to zobrazuje *Obrázok 13*.
4. Zdvihnite pomocou držadla. Pri zdvíhaní a presúvaní postupujte opatrne. Zohľadnite hmotnosť stroja.



Obrázok 13 – Obmotaný kábel/hadica

Skladovanie

⚠ VÝSTRAHA Elektrickú rezačku rúr treba uchovávať v suchu a v interiéri alebo dobre zakrytú, ak sa uchováva v exteriéri. Stroj skladujte v uzamknutom priestore mimo dosahu detí a osôb, ktoré nie sú oboznámené s elektrickou rezačkou rúr. Tento stroj môže v rukách nezaškolených používateľov spôsobiť vážne zranenie.

Pokyny na údržbu

⚠ VÝSTRAHA

Pred vykonaním akejkoľvek údržby alebo akýchkoľvek úprav skontrolujte, či je prepínač v polohe O-OFF (VYP.) a stroj je odpojený z elektrickej siete.

Údržbu rezačky vykonávajte podľa týchto postupov, aby ste znížili riziko úrazu v dôsledku zásahu elektrickým prúdom, zamotania sa a iných príčin.

Čistenie

Stroj po každom použití jemne očistite čistou suchou handrou. Valce udržiajte čisté, tak aby sa na nich nenachádzali nečistoty a úlomky.

Na zabezpečenie maximálnej účinnosti uchovávajte výstružník čistý a bez triesok.

Z vetracích otvorov motora vyčistite všetok prach a nečistoty.

Mazanie

Každý mesiac (alebo podľa potreby aj častejšie) treba ľahkým mazivom namazať všetky odkryté pohybujúce sa časti elektrickej rezačky rúr a stojana PC116TS (ako posuvovú skrutku, systém rýchleho posuvu, valce a otočné body). Z odkrytých povrchov zotrite všetok nadbytočný olej.

Výmena rezacieho kolieska

Pre správny výber rezacieho kolieska pozri časť *Technické údaje*. Pri rezaní rôznych materiálov treba vymeniť rezacie koliesko. Rezacie koliesko treba nahradiť v prípade, ak sa rezná hrana naštiepi alebo otupí. Jednotka obsahuje priestor na uchovanie ďalšieho rezacieho kolieska. Pozri *Obrázok 13*.

1. Odstráňte spojovací kolík. Uvoľní sa držiak rezacieho kolieska (*Obrázok 14*).



Obrázok 14 – Odstránenie držiaka rezacieho kolieska

2. Odstráňte kolík kolieska a rezacie koliesko/ložisko (*Obrázok 15*).
3. Skontrolujte ložisko. Ložisko sa musí pohybovať voľne. V prípade potreby ho vymeňte.
4. Pri montovaní rezacieho kolieska postupujte v opačnom poradí.



Obrázok 15 – Výmena rezacieho kolieska

Nadprúdová ochrana motora

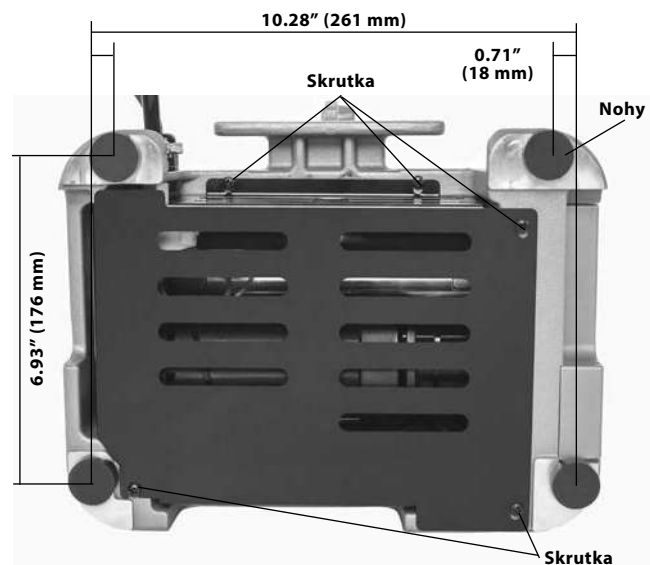
Rezačka je vybavená nadprúdovou ochranou, ktorá v prípade odberu nadmerného množstva prúdu stroj vypne s cieľom ochrániť motor.

Ak sa stroj nečakane vypne, uvoľnite nožný spínač. Prepnite prepínač do polohy O-OFF (VYP) a odpojte stroj z elektrickej siete. Odstráňte zo stroja rúru. Postupujte podľa častí *Kontrola pred prevádzkou* a *Príprava stroja a pracoviska* a overte, či stroj pracuje správne.

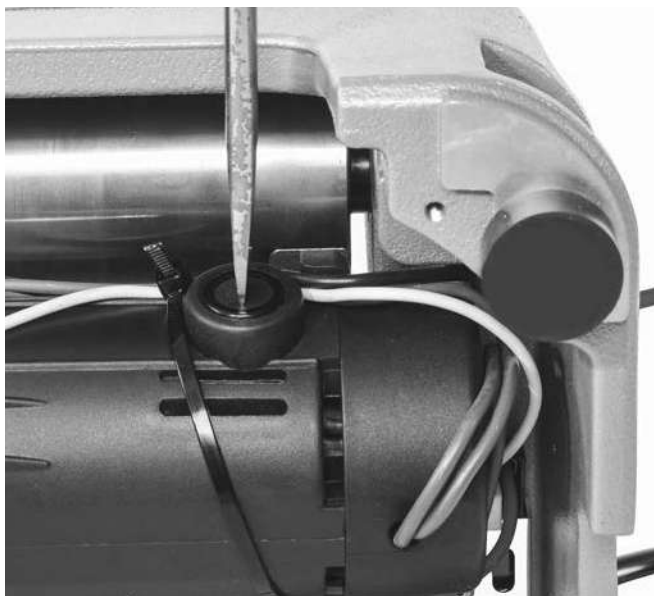
Výmena kefiiek motora

Kefky motora kontrolujte každých šesť mesiacov. Kefky treba vymeniť, ak je ich dĺžka menšia ako 5 mm (0.2").

1. Overte, či je prepínač v polohe O-OFF (VYP) a odpojte stroj z elektrickej siete.
2. Uvoľnite päť skrutiek, ktoré pridržiavajú spodný kryt (*Obrázok 16*), a zložte kryt (niektoré skrutky sú prichytené ku krytu).
3. Pomocou skrutkovača odskrutkujte a zložte krytky kefiiek (*Obrázok 17*). Opatrne zložte uhlíkové kefky a skontrolujte ich dĺžku (*Obrázok 18*). Ak je dĺžka kefiiek menšia ako 5 mm (0.2"), treba kefky vymeniť.
4. Vložte kefku do držiaka kefy, pričom správne vyrovnajte plošky kefiiek s výčnelkami držiaka kefiiek.
5. Bezpečne utiahnite krytky kefiiek. Namontujte späť spodný kryt.
6. Po opätovnom zmontovaní stroja spustite stroj pri rýchlosti II-High (Vysoká) po dobu piatich minút bez rúry v stroji, aby sa kefky zabehli.

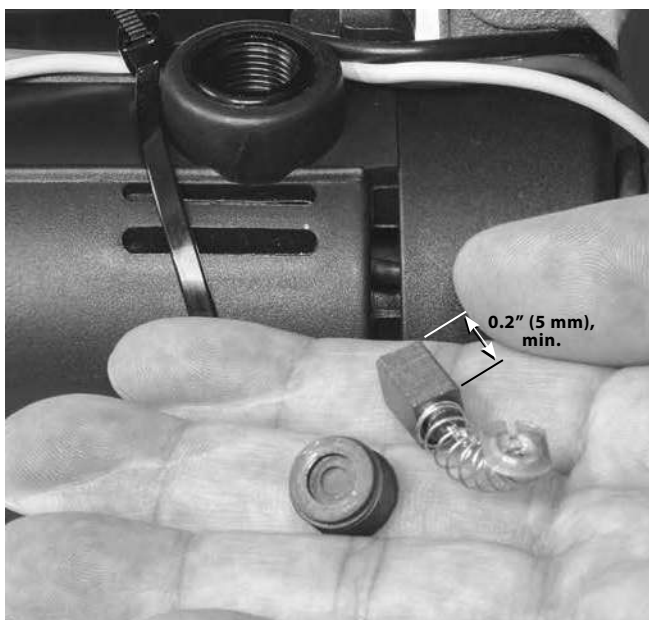


Obrázok 16 – Skrutky spodného krytu



Obrázok 17 – Odstránenie krytky kefky

Na prístup k literatúre a videu k rezačke PC116/PTC-400 naskenujte QR kód nižšie.



Obrázok 18 – Kontrola dĺžky kefky

Riešenie problémov

PROBLÉM	MOŽNÉ PRÍČINY	RIEŠENIE
Nadmerné vibrácie počas obsluhy.	Nesprávna prevádzková rýchlosť.	Pozri časť <i>Výber prevádzkovej rýchlosti</i> .
	Rezanie ohnutej rúry.	Nerežte viditeľne ohnutú rúru. Použite ručnú rezačku.
	Dlhá rúra nie je správne podopretá.	Dlú rúru treba podoprieť stojanmi na rúry.
	Stroj nie je správne namontovaný.	Namontujte stroj správnym spôsobom na rovný povrch a priskrutkujte ho upevňovacími skrutkami.
Stroj nereže rúry správne.	Opotrebované rezacie koliesko.	Vymeňte opotrebované rezacie koliesko.
	Použitá rúra nesprávneho materiálu alebo veľkosti.	Použite správny typ rúry (pozri <i>Technické údaje</i>).
Stroj sa počas rezania zadrháva.	Agresívne posúvanie rezacieho kolieska počas rezania.	Rezacie koliesko treba posúvať jemne.
Stroj nefunguje.	Kefky motora sú opotrebované.	Namontujte nové kefy motora.
	Aktivovala sa nadprúdová ochrana.	<i>Postupujte podľa pokynov Nadprúdová ochrana motora v časti Údržba.</i>
Nadmerná tvorba drsných hrán alebo deformácia konca.	Opotrebované alebo poškodené rezacie koliesko.	Vymeňte rezacie koliesko.
	Agresívne posúvanie rezacieho kolieska počas rezania.	Rezacie koliesko treba posúvať jemne.
Stroj sa pri stlačení nožnom spínači zastavil. Stroj sa znova spustí po opätovnom stlačení nožného spínača.	Diera v nožnom spínači/hadici.	Vymeňte nožný spínač.
	Unikanie vzduchu zo spínača.	Ak ste na nožnom spínači/hadici nenašli žiadnu závalu, vymeňte vzduchový spínač.

Servis a oprava**⚠ VÝSTRAHA**

Nesprávny servis alebo nesprávna oprava môžu spôsobiť, že používanie zariadenia bude nebezpečné.

Príslušné *Pokyny na údržbu* obsahujú väčšinu úkonov potrebných na údržbu tohto stroja. Akékoľvek problémy, ktoré nie sú popísané v tejto časti, smie vyriešiť len nezávislé servisné stredisko spoločnosti RIDGID. Používajte len náhradné diely RIDGID.

V prípade akýchkoľvek otázok ohľadom servisu alebo opráv *si pozrite časť* Kontaktné informácie v tomto návode, kde nájdete aj informácie o najbližšom nezávislom servisnom stredisku RIDGID.

Voliteľné vybavenie**⚠ VÝSTRAHA**

Aby sa zamedzilo riziku vážneho zranenia, používajte len príslušenstvo výslovne navrhnuté a odporúčané na používanie s elektrickou rezačkou rúr RIDGID PC116/PTC-400, ako je napr. uvedené príslušenstvo.

Katalóg. č.	Popis
64903	Stojan na rúry PC116TS na použitie s rezačkou PC116/PTC-400
66253	Uhlíková kefka motora PC116, 220 – 240 V
66248	Uhlíková kefka motora PC116, 100 – 120 V
56662	Hlavica v tvare V stojana na rúry VJ-99 s výškou 28" – 52"
64908	Výstružník 137S pre rezačku PC116/PTC-400
66938	Rezacie koliesko E850 (pre kovové rúry)
66943	Rezacie koliesko E855 (pre plastové rúry)
64898	Ložisko rezacieho kolieska

Kompletný zoznam vybavenia RIDGID, ktoré je k dispozícii pre toto náradie, nájdete v online katalógu náradia spoločnosti Ridge na stránke RIDGID.com, prípadne si *pozrite časť Kontaktné informácie*.

Likvidácia

Časti týchto nástrojov obsahujú cenné materiály, ktoré sa dajú recyklovať. Vo svojom okolí určite nájdete firmy, ktoré sa špecializujú na recykláciu. Všetky komponenty zlikvidujte v súlade s príslušnými nariadeniami. Ak potrebujete viac informácií, obráťte sa na váš miestny úrad, ktorý riadi odpadové hospodárstvo.



V krajinách ES: Elektrické zariadenia nelikvidujte spolu s komunálnym odpadom!

V súlade s Európskou smernicou 2012/19/EÚ o zbere a recyklácii odpadu z elektrických a elektronických zariadení a jej implementáciou do štátnej legislatívy sa musia elektrické zariadenia, ktoré nie je možné ďalej používať, zbierať a likvidovať oddelene a spôsobom, ktorý neohrozuje životné prostredie.

Dispozitiv pentru tăiat tubulaturi

PC116/PTC-400 Dispozitiv electric pentru tăiat tubulaturi



⚠️ AVERTIZARE!

Citiți cu atenție acest manual de utilizare înainte de a folosi această mașină-unealtă. Neînțelegerea și nerespectarea conținutului acestui manual poate cauza electrocutări, incendii și/sau vătămări personale grave.

PC116/PTC-400 Dispozitiv electric pentru tăiat tubulaturi

Înregistrați numărul de serie de mai jos și rețineți numărul de serie al produsului care este localizat pe plăcuța de identificare.

Nr.serie

Cuprins

Formular de înregistrare pentru numărul de serie al mașinii	229
Simboluri de siguranță	231
Avertizări generale privind siguranța mașinilor-unelte electrice	231
Siguranța în zona de lucru	231
Siguranța din punct de vedere electric	231
Siguranța individuală.....	232
Utilizarea și întreținerea mașinilor-unelte electrice.....	232
Service	233
Informații specifice privind siguranța	233
Informații contact RIDGID	233
Descriere	233
Specificații	234
Echipament standard	235
Asamblare	235
Montarea pe banc	235
Inspekția înainte de utilizare	235
Pregătirea mașinii și zonei de lucru	236
Stativ PC116TS / Reglare.....	236
Instrucțiuni de exploatare	237
Reglarea dispozitivului de tăiat pentru diferite mărimi de țevi	238
Selectarea/Schimbarea vitezei de operare	238
Tăierea țevii.....	239
Alezarea Țevii	240
Transportul	240
Depozitare	240
Instrucțiuni de întreținere	241
Curățare.....	241
Lubrifiere.....	241
Schimbarea cuțitului-disc.....	241
Protecția la supracurent a motorului	241
Schimbarea perii motorului.....	241
Depanare	243
Service și reparații.....	243
Echipamente opționale	243
Dezafectare	244
Declarație CE de conformitate	Copertă interioară spate
Garanție pe viață	Coperta din spate

* Traducerea instrucțiunilor originale

Simboluri de siguranță

În acest manual de utilizare și pe produs, simbolurile de siguranță și cuvintele de semnalizare sunt utilizate pentru a comunica informații importante privind siguranța. Acest capitol este prevăzut pentru a înțelege mai bine aceste cuvinte și simboluri de semnalizare.



Acesta este un simbol de avertizare privind siguranța. Este folosit pentru a avertizare asupra pericolelor potențiale de vătămare personală. Respectați toate mesajele de siguranță care urmează după acest simbol, pentru a evita posibilele vătămări sau deces.



PERICOL PERICOL indică o situație periculoasă care dacă nu este evitată, cauzează deces sau vătămări grave.



AVERTIZARE AVERTIZARE indică o situație periculoasă care dacă nu este evitată, poate cauza deces sau vătămări grave.



PRECAUȚIE PRECAUȚIE indică o situație periculoasă care, dacă nu este evitată, ar putea cauza accidentări minore sau moderate.



NOTĂ NOTĂ indică informații referitoare la protejarea proprietății.



Acest simbol înseamnă că trebuie să citiți cu atenție manualul de utilizare înainte de a folosi echipamentul. Manualul de utilizare conține informații importante referitoare la exploatarea sigură și corectă a echipamentului.



Acest simbol înseamnă întotdeauna că trebuie să purtați întotdeauna ochelari de protecție cu apărători laterale sau ochelari-mască atunci când manevrați sau utilizați acest echipament pentru a reduce riscul vătămării ochilor.



Acest simbol indică riscul de electrocutare.



Acest simbol indică pericolul prinderii, înfășurării sau strivirii mâinilor, degetelor sau a altor părți ale corpului în role sau alte componente în mișcare.



Acest simbol indică riscul de tăiere de piesele în mișcare sau în rotație pentru mâini, degete sau alte părți ale corpului.



Acest simbol indică faptul că dispozitivul se poate răsturna, cauzând răniri prin lovire sau strivire.



Acest simbol înseamnă să nu purtați mănuși în timp ce acționați această mașină, pentru a reduce riscul de prindere.

Avertizări generale privind siguranța mașinilor-unelte electrice*



Citiți toate avertizările de siguranță, instrucțiunile și specificațiile livrate cu această mașină-unelte. Nerespectarea tuturor instrucțiunilor prezentate mai jos poate cauza electrocutări, incendii și/sau accidentări grave.

PĂSTRAȚI TOATE AVERTIZĂRILE ȘI INSTRUCȚIUNILE PENTRU CONSULTARE ULTERIOARĂ!

Termenul „mașină-unelte electrică” din avertizări se referă la mașina-unelte electrică alimentată de la rețeaua electrică (cablată) sau mașina-unelte electrică alimentată de la acumulator (necablată).

Siguranța în zona de lucru

- **Mențineți zona de lucru curată și bine luminată.** Zonele aglomerate sau întunecoase favorizează accidentele.
- **Nu operați mașinile electrice în medii explozive, cum ar fi în prezența lichidelor, gazelor sau prafurilor inflamabile.** Mașinile-unelte electrice produc scântei care pot aprinde praful sau vaporii.

- **Țineți copiii și spectatorii la distanță în timpul acționării unei unelte electrice.** Distragerea atenției poate cauza pierderea controlului.

Siguranța din punct de vedere electric

- **Ștecherile mașinilor-unelte electrice trebuie să se potrivească prizelor. Nu modificați niciodată ștecherul în nici un fel. Nu utilizați ștechere adaptoare la mașinile-unelte electrice prevăzute cu împământare (legate la pământ).** Ștecherile nemodificate și prizele potrivite reduc riscul de electrocutare.
- **Evitați contactul corpului cu suprafețe împământate sau legate la masă, cum ar fi țevile, radiatoarele, plitele electrice și frigidere.** Riscul de electrocutare este mărit în cazul în care aveți corpul conectat la pământ sau masă.
- **Nu expuneți mașinile-unelte electrice la ploaie sau la condiții de umezeală.** Apa pătrunsă într-o mașină-unelte electrică va spori riscul de electrocutare.
- **Nu maltratați cablul de alimentare. Nu utilizați niciodată cablul de alimentare pentru a transporta, trage sau deconecta mașinile-unelte electrice. Feriți cablul de alimentare de căldură, ulei, muchii ascuțite sau piese în mișcare.** Cablurile deteriorate sau încurcate sporesc pericolul de electrocutare.

*Textul utilizat în capitolul Avertizări generale privind siguranța mașinilor-unelte electrice al acestui manual este conform cerințelor, redarea cuvânt cu cuvânt a standardului aplicabil UL/CSA/EN 62841-1. Acest capitol conține practici de siguranță generală pentru o multitudine de tipuri diferite de mașini unelte electrice. Nu fiecare prevedere se aplică fiecărei unelte, și unele nu se aplică acestei unelte.

- **Când exploatați o mașină-unealtă electrică în exterior, utilizați un cablu prelungitor adecvat pentru utilizare în exterior.** Utilizarea unui cablu potrivit pentru utilizarea în exterior reduce pericolul de electrocutare.
- **Dacă utilizarea unei mașini-unelte electrice într-un loc umed nu poate fi evitată, utilizați o sursă de alimentare protejată printr-un întrerupător de siguranță sensibil la defect de împământare (GFCI).** Utilizarea unui GFCI (întrerupător de siguranță sensibil la defect de împământare) reduce pericolul de electrocutare.

Siguranța individuală

- **Fiți atent, concentrați-vă la ceea ce faceți și folosiți bunul simț când operați o mașină-unealtă electrică. Nu utilizați mașini-unelte electrice când sunteți obosit sau sub influența drogurilor, a alcoolului sau a medicamentelor.** Un moment de neatenție în timp ce exploatați mașinile-unelte electrice poate avea drept rezultat accidente personale grave.
- **Utilizați echipamentul individual de protecție. Întotdeauna purtați echipament de protecție pentru ochi.** Echipamentul de protecție, precum masca anti-praf, pantofii de protecție antiderapanți, casca sau antifoanele, folosite în condiții adecvate, reduc riscul de vătămare.
- **Împiedicați pornirea neintenționată. Asigurați-vă că întrerupătorul este în poziția OFF (oprit) înainte de conectarea la sursa de energie electrică și/sau pachetul de baterii, ridicarea sau transportarea mașinii-unelte.** Transportul mașinilor-unelte electrice cu degetul pe întrerupător sau conectarea la sursă a mașinilor-unelte electrice cu întrerupătorul în poziția ON (pornit) favorizează accidentele.
- **Îndepărtați orice cheie înainte de a porni (ON) mașina-unealtă electrică.** O cheie fixă sau o cheie lăsată atașată la o piesă rotativă a mașinii-unelte electrice poate avea ca rezultat vătămări personale.
- **Nu vă dezechilibrați. Mențineți-vă permanent sprijinul adecvat pe sol și echilibrul.** Acest lucru asigură un control mai bun al mașinii-unelte electrice în situații neprevăzute.
- **Îmbrăcați-vă adecvat. Nu purtați haine largi sau bijuterii. Feriți-vă părul și îmbrăcămintea de piesele în mișcare.** Hainele largi, bijuteriile sau părul lung pot fi prinse în piesele în mișcare.
- **Dacă sunt prevăzute dispozitive pentru racordarea instalațiilor extractoare și colectoare de praf, asigurați-vă că acestea sunt conectate și utilizate corespunzător.** Colectarea prafului poate reduce pericolele provocate de acesta.
- **Nu lăsați ca familiarizarea prin utilizarea frecventă a mașinilor-unelte să vă facă încrezător și să ignorați principiile de siguranță.** O acțiune neglijentă poate cauza vătămări grave într-o fracțiune de secundă.

Utilizarea și întreținerea mașinilor-unelte electrice

- **Nu forțați mașinile-unelte electrice. Folosiți mașina-unealtă corectă pentru aplicația dumneavoastră.** Mașina-unealtă corectă va executa mai bine și mai sigur lucrarea în condițiile pentru care este proiectată.
- **Nu folosiți mașina-unealtă electrică dacă întrerupătorul nu conectează (ON) sau deconectează (OFF).** Orice mașină-unealtă electrică care nu poate fi controlată de la întrerupător este periculoasă și trebuie reparată.
- **Deconectați ștecherul de la sursa de alimentare electrică și/sau pachetul de baterii, dacă este detașabil, din mașina-unealtă electrică înainte de a efectua orice reglaje, de a schimba accesorii sau de a depozita mașinile-unelte electrice.** Aceste măsuri preventive de siguranță reduc riscul pornirii accidentale a mașinilor-unelte electrice.
- **Nu lăsați mașinile-unelte electrice inactive la îndemâna copiilor și nu permiteți persoanelor nefamiliarizate cu mașina-unealtă electrică sau cu aceste instrucțiuni să o acționeze.** Mașinile-unelte electrice sunt periculoase în mâinile utilizatorilor neinstruiți.
- **Întrețineți mașinile-unelte. Depistați nealinierea sau blocarea pieselor în mișcare, deteriorarea componentelor și orice alte stări care ar putea afecta exploatarea mașinilor-unelte electrice. Dacă este avariată, duceți mașina-unealtă electrică la reparat înainte de a o utiliza.** Numeroase accidente sunt cauzate de mașini-unelte electrice incorect întreținute.
- **Mențineți sculele tăietoare ascuțite și curate.** Sculele tăietoare întreținute corespunzător, cu muchii tăietoare ascuțite sunt mai puțin expuse la blocare și sunt mai ușor de operat.
- **Utilizați mașina-unealtă electrică, accesoriile și piesele etc. în conformitate cu aceste instrucțiuni, ținând cont de condițiile de lucru și de munca ce trebuie efectuată.** Utilizarea mașinii-unelte electrice pentru operațiuni diferite de cele pentru care este destinată poate duce la situații periculoase.
- **Mențineți mânerul și suprafețele de apucare uscate, curate și fără ulei sau vaselină.** Mânerul și suprafețele de apucare alunecoase nu permit manipularea și controlul sigur al mașinii-unelte în situații neașteptate.

Service

- **Încredințați pentru service mașina-unealtă electrică a dvs. unei persoane calificate pentru reparații, utilizând numai piese de schimb identice.** Aceasta va asigura menținerea siguranței în exploatare a mașinii-unelte electrice.

Informații specifice privind siguranța

⚠️ AVERTIZARE

Acest capitol conține informații importante despre siguranță, specifice acestei mașini-unelte.

Citiți cu atenție aceste atenționări înainte de utilizarea dispozitivului pentru tăiat tubulaturi PC116/PTC-400 pentru a reduce riscul de electrocutare sau de vătămare gravă.

PĂSTRAȚI TOATE AVERTIZĂRILE ȘI INSTRUCȚIUNILE PENTRU CONSULTARE ULTERIOARĂ!

Păstrați acest manual în același loc cu mașina în vederea utilizării de către operator.

- **Nu purtați mănuși sau îmbrăcăminte largă când lucrați la dispozitivul pentru tăiat tubulaturi. Țineți mânecile și jachetele încheiate.** Nu vă aplecați peste mașină. Îmbrăcăminte poate fi agățată de mașină cauzând prinderea.
- **Feriți mâinile de piesele în rotație, cum sunt rolele, alezorul, cuțitul-disc și țeava. Lăsați piesele să se oprească complet înainte de a manipula unealta sau țeava.** Această practică reduce pericolul de prindere de către piesele în mișcare de rotație.
- **Asigurați mașina la un banc stabil sau stativ. Sprijiniți corect țevile.** Aceasta reduce riscul de vătămare prin lovire și strivire prin căderea țevii sau echipamentului.
- **Nu tăiați țevi evident curbate sau cu fitinguri atașate.** Se reduce riscul vibrațiilor excesive și de pierdere a controlului asupra mașinii și/sau țevii.
- **Purtați întotdeauna protecție adecvată pentru ochi și echipament individual de protecție corespunzător.** Sculele de tăiere se pot sparge sau sfărâma. Aceasta reduce riscul de vătămare.
- **Atât procesul de lucru, cât și întrerupătorul-pedală trebuie controlate de o singură persoană.** Atunci când mașina funcționează, numai operatorul are voie să se găsească în zona de lucru. Aceasta ajută la reducerea riscului de vătămare.

- **Citiți și înțelegeți aceste instrucțiuni, instrucțiunile pentru mașini-unelte electrice, precum și avertizările și instrucțiunile pentru toate echipamentele și materialele care se utilizează înainte de operarea acestei mașini-unelte, pentru a reduce riscul de vătămări individuale grave.**

Informații contact RIDGID

Dacă aveți întrebări privind acest produs RIDGID®:

- Contactați distribuitorul local RIDGID®.
- Vizitați RIDGID.com pentru a găsi distribuitorul local RIDGID.
- Contactați departamentul tehnic de service Ridge Tool Technical Service Department la rtctechservices@emerson.com, sau apelați în S.U.A. și Canada (800) 519-3456.

Descriere

Dispozitivul electric pentru tăiat tubulaturi RIDGID® PC116/PTC-400 este conceput pentru tăierea țevilor/tuburilor metalice și din plastic cu dimensiuni nominale 1/2" până la 4" (12 până la 100 mm).

Un comutator pentru două viteze comandă turația rolei și un întrerupător-pedală pneumatic comandă Pornirea/Oprirea motorului. Pentru măsurarea țevilor este inclusă o scală. Dispozitivul pentru tăiat tubulaturi are greutate redusă și este compact pentru transportare ușoară.

Este disponibil un alezor opțional pentru îndepărtarea bavurilor din interiorul țevilor până la 2" (50 mm).

Dispozitivul pentru tăiat tubulaturi nu este conceput pentru utilizare pe conducte.

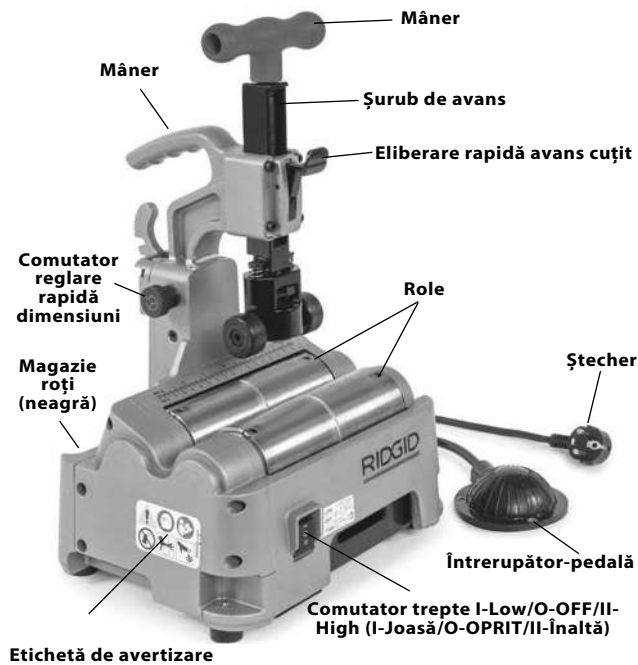


Figura 1 – RIDGID® Dispozitiv electric pentru tăiat tubulaturi PC116/PTC-400

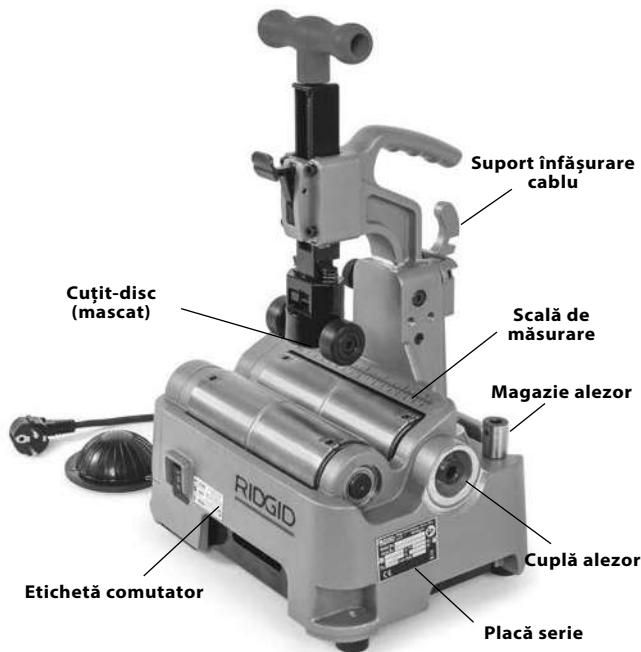


Figura 2 – Seria mașinii

Numărul de serie al mașinii este localizat pe fața dispozitivului. Ultimele 4 cifre indică luna și anul fabricației. (10 = luna, 19 = anul).

Specificații

Capacitatea nominală de tăiere dimensiunea țevii... 1/2" până la 4"
(12 mm până la 100 mm)

Capacitatea efectivă de tăiere..... 1/2" până la 4,5"
(12 mm până la 116 mm)

Materialul țevii/ tubului*	Grosimea maxi- mă a peretelui	Cuțit-disc	
		E-850 Nr. #66938	E-855 Nr. #66943
Oțel carbon	0.1" (2,5 mm)	X	
Oțel inoxidabil	0.1" (2,5 mm)	X	
Aluminiu	0.1" (2,5 mm)	X	
Cupru	0.1" (2,5 mm)		X
Plastic	0.23" (6 mm)		X

* Doar o recomandare generală. Compoziția materialului, duritatea și alți factori afectează capabilitatea de tăiere, durabilitatea discului, formarea bavurilor, etc.

Capacitate nominală de alezare..... 1/2" până la 2" (12 mm până la 50 mm) (accesoriu opțional)

Lungimea max. a țevii20' (6 m)

Motor

Tip.....	Universal	
Tensiune.....	100-120V	220-240V
Curent.....	5,8 A	3,0A
Frecvență.....	50/60 Hz	50/60 Hz
Putere	705W	705W

Consultați plăcuța cu numărul de serie pentru informații specifice unității.

Turația rolor 190/363 RPM pentru 220-240V,
225/385 RPM pentru 100-120V

Comenzi Comutator trepte I-Low/O-OFF/
II-High (I-Joasă/O-OPRIT/II-Înaltă) și
întrerupător-pedală PORNIT/OPRIT

Greutate 32 lbs. (14,5 kg)
 Dimensiuni de gabarit
 L x Ad x H 11,6" x 9,4" x 15,9"
 (295 mm x 239 mm x 403 mm)

Temperatura
 de funcționare -4° F până la 122° F
 (-20° C până la 50° C)

Presiune sonoră (L_{PA})* 82,3 dB(A), K=3

Putere sonoră (L_{WA})* 93,3 dB(A), K=3

* Măsurătorile de sunet sunt efectuate în conformitate cu un test standardizat prin Standardul EN 62481-1.

- Emisiile sonore pot să varieze cu localizarea și utilizarea specifică a acestor unelte.
- Nivelurile de expunere zilnică pentru sunet trebuie evaluate pentru fiecare aplicație și trebuie adoptate măsuri corespunzătoare de siguranță când este necesar. Evaluarea nivelurilor de expunere trebuie să considere timpul în care unealta este deconectată și nu este utilizată. Acesta poate reduce semnificativ nivelul de expunere pe toată perioada de lucru.

Echipament standard

Consultați catalogul RIDGID pentru detalii privind echipamentul furnizat cu numerele de catalog specifice mașinii.

NOTĂ Selecția materialelor adecvate și a metodelor de instalare, îmbinare și fasonare este responsabilitatea proiectantului sistemului și/sau a instalatorului. Selecția unor materiale și metode necorespunzătoare poate cauza defectarea sistemului.

Oțelul inoxidabil și alte materiale rezistente la coroziune pot fi contaminate în timpul instalării, îmbinării și fasonării. Această contaminare poate cauza corodare și defectare prematură. Înainte de orice tentativă de instalare, trebuie efectuată o evaluare atentă a materialelor și metodelor pentru condițiile specifice de serviciu, inclusiv cele chimice și de temperatură.

Pentru a reduce riscul contaminării feroase a oțelului inoxidabil, asigurați-vă că rolele sunt curate și fără reziduuri. Curățați-le temeinic cu o perie din oțel inoxidabil. Schimbați cuțitul-disc și alezorul înainte de utilizare cu material din oțel inoxidabil. Se recomandă rezervarea unui cuțit numai pentru oțel inoxidabil.

Asamblare

⚠ AVERTIZARE

Pentru a reduce riscul de accidentări grave în timpul utilizării, urmați aceste proceduri pentru asamblarea corespunzătoare. Comutatorul trebuie să fie în poziția OFF (oprit) și mașina scoasă din priză înainte de asamblare.

Montarea pe banc

Mașina poate fi montată pe un banc de lucru orizontal, stabil. Pentru montarea unității pe un banc, deșurubați picioarele de cauciuc la cele patru colțuri ale bazei mașinii (vezi figura 16) și utilizați șuruburile M8 pentru a asigura mașina pe banc. Strângeți ferm.

Inspecția înainte de utilizare

⚠ AVERTIZARE



Înainte de fiecare utilizare, verificați dispozitivul pentru tăiat tubulaturi și remediați orice problemă pentru a reduce riscul de vătămare gravă prin electrocutare, apucare, strivire sau alte cauze și pentru a preveni deteriorarea mașinii.

1. Asigurați-vă că dispozitivul pentru tăiat tubulaturi este scos din priză.
 2. Curățați mașina și echipamentul, inclusiv mânerul și comenzile. Aceasta facilitează inspecția și ajută la prevenirea alunecării din prindere a mașinii sau comenzilor. Curățați și păstrați mașina conform instrucțiunilor de întreținere.
 3. Inspectați dispozitivul pentru tăiat tubulaturi în privința:
 - Inspectați cablul și ștecherul pentru deteriorări sau modificări.
 - Asamblare corectă, întreținere și integritate.
 - Orice piese sparte, uzate, lipsă, nealiniat sau gripate sau alte deteriorări.
 - Prezența și funcționarea întrerupătorului-pedală. Asigurați-vă că întrerupătorul-pedală este atașat, în bună stare, că își realizează ciclul lin și nu se gripează.
 - Mișcarea liberă a șurubului de avans, cuțitului-disc și a rolilor-suport.
 - Prezența și lizibilitatea etichetelor de avertizare și celorlalte etichete (vezi figura 1).
 - Verificați muchiile tăietoare ale cuțitului-disc și alezorului la uzură, deformare, ciobire sau alte situații. Cuțitele boante, deteriorate sau desprinse pot deteriora unealta, să realizeze o tăietură de slabă calitate și să mărească riscul de vătămare.
 - Dacă utilizați stativele PC116TS, le curățați, inspectați și lubrifiați după cum este necesar.
 - Orice altă problemă care ar putea împiedica exploatarea normală și în condiții de siguranță.
- Dacă se constată probleme, nu utilizați mașina-unealtă până ce acestea nu sunt remediate.
4. Examinați și întrețineți orice alt echipament utilizat conform instrucțiunilor sale, pentru a asigura corecta lui funcționare.

Pregătirea mașinii și zonei de lucru

⚠️ AVERTIZARE



Pregătiți dispozitivul electric pentru tăiat tubulaturi și zona de lucru conform acestor proceduri, pentru a

reducе riscul de vătămare gravă prin electrocutare, apucare, strivire sau alte cauze și pentru a preveni deteriorarea mașinii.

1. Verificați zona de lucru pentru:
 - Iluminare adecvată.
 - Lichide inflamabile, vapori sau pulberi care se pot aprinde. Dacă sunt prezente, nu lucrați în zonă până când nu au fost identificate sursele și remediate. Dispozitivul de tăiat nu este antiexplozie și poate produce scântei.
 - Un loc curat, plan, stabil, uscat pentru întregul echipament și operator.
 - Priză de tensiune corectă, împământată corespunzător. Verificați pe plăcuța cu seria mașinii tensiunea necesară. Este posibil ca o priză cu trei știfturi sau GFCI să nu fie corect împământată. Dacă aveți dubii, cereți unui electrician autorizat să verifice priza.
2. Examinați lucrarea care trebuie executată. Determinați materialul, tipul și dimensiunea țevii. Stabiliți echipamentul corect pentru lucrare. *Consultați secțiunea cu specificații.*
3. Asigurați-vă că toate echipamentele care urmează a fi utilizate au fost inspectat și asamblate corespunzător.
4. Așezați mașina pe o suprafață, plană, orizontală și stabilă. Vedeti „Montarea pe banc” în secțiunea Asamblare. Asigurați-vă că unitatea este stabilă și sigură.
5. Dacă țeava depășește 6” (15 cm) dincolo de mașină, folosiți unul sau mai multe stative adecvate pentru susținerea țevii. Așezați stativele aliniate cu rolele. Țevile mai lungi ar putea să necesite mai multe stative. Folosiți numai stative de țeavă concepute în acest scop. Suportii de țeavă necorespunzători sau susținerea țevii cu mâna pot cauza vătămări prin răsturnare sau prindere. Nu depășiți capacitatea portantă marcată a stativului. Când dispozitivul de tăiere și stativul sunt așezate în același plan, folosiți stativul pentru țevi RIDGID PC116TS pentru susținerea țevii.

Dacă lucrați la un banc sau altă zonă de lucru ridicată, se pot folosi o diversitate de stative pentru țevi RIDGID pentru susținerea țevii. Dacă folosiți PC116/PTC-400 pe sol, folosiți stativul de țevi RIDGID PC116TS pentru susținerea țevii. *Vezi figura 3.*



Figura 3 – Amplasarea stativului

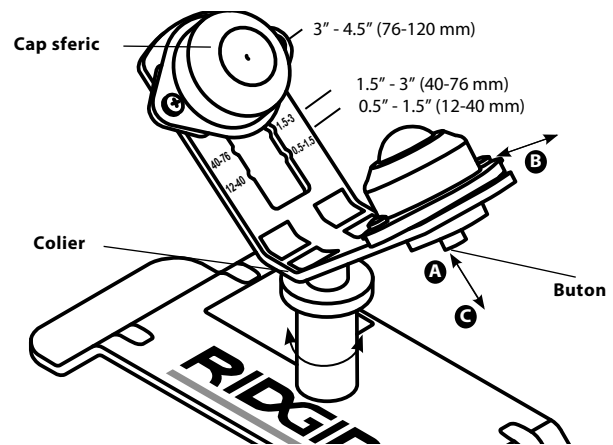


Figura 4 – Reglarea stativului PC116TS

Stativ PC116TS / Reglare

Stativul PC116TS este un accesoriu opțional conceput pentru utilizare cu dispozitivul de tăiere PC116/PTC-400 și nu este destinat altor utilizări.

Pentru reglarea capetelor sferice la dimensiunea țevii:

- a. Apăsăți butonul **A**
- b. Deplasați capul sferic la dimensiunea corespunzătoare a țevii (*vezi figura 4*) **B**
- c. Buton de eliberare – verificați să fie amplasat în loc sigur **C**

Pentru reglarea înălțimii stativului, rotiți colierul pentru ridicarea sau coborârea capului stativului. Stativul este conceput pentru așezare pe aceeași suprafață plană ca și dispozitivul de tăiere PC116/PTC-400. *Vezi figura 3.* Dacă este necesar, se pot folosi distanțiere (de exemplu blocuri de lemn) pentru ridicarea stativului.

6. Restricționați accesul sau montați apărători sau bariere pentru a crea un spațiu de minim 3 feet (1 m) în jurul mașinii și țevii. Aceasta servește ca personalul neimplicat în operații să nu ia contact cu mașina sau țeava și reduce riscul de răsturnare sau prindere.
7. Poziționați întrerupătorul-pedală așa cum este ilustrat în *Figura 8* pentru a permite o poziție de operare adecvată.
8. Având comutatorul în poziția O-OFF (Oprit), poziți cablul pe un traseu liber. Cu mâinile uscate, cuplați cablul de alimentare într-o priză cu împământare corespunzătoare. Mențineți toate racordurile uscate și deasupra solului. În cazul în care cablul nu este suficient de lung, utilizați un cablu prelungitor care:
 - Este în stare bună.
 - Are o fișă cu trei ciocuri ca și cea de pe dispozitivul electric pentru tăiat tubulaturi.
 - Este calificată pentru utilizare în exterior.
 - Conductorul este de dimensiune suficientă. Pentru cabluri prelungitoare cu o lungime până la 50' (15,2 m) folosiți un cablu cu conductori 14 AWG (2,5 mm²) sau mai greu. Pentru cabluri prelungitoare cu o lungime 50'-100' (15,2 m - 30,5 m) folosiți 12 AWG (2,5 mm²) sau mai greu.
9. Verificați funcționarea corectă a dispozitivului electric pentru tăiat tubulaturi. Cu mâinile libere:
 - Mutați comutatorul de viteze în poziția de turație joasă I-LOW. Apăsați și eliberați întrerupătorul-pedală. Rolele trebuie să se rotească așa cum indică săgețile în *Figura 5*. Dacă mașina nu se rotește în sensul corect sau întrerupătorul-pedală nu comandă operarea mașinii, nu folosiți mașina până nu este reparată.
 - Apăsați și mențineți întrerupătorul-pedală. Inspectați componentele mobile, să nu fie nealiniat, blocate, să nu producă zgomote ciudate sau să nu existe condiții neobișnuite. Ridicați piciorul de pe întrerupătorul-pedală. Dacă se contactă stări neobișnuite, nu folosiți mașina până nu a fost reparată.



Figura 5 – Sensul de rotație al rolelor

10. Deplasați comutatorul vitezelor în poziția O-OFF (Oprit) și, cu mâinile uscate, scoateți mașina din priză.

Instrucțiuni de exploatare

⚠ AVERTIZARE



Nu purtați mănuși sau îmbrăcăminte largă când lucrați la dispozitivul pentru tăiat tubulaturi. Țineți mânecile și jachetele încheiate. Nu vă aplecați peste mașină. Îmbrăcămintea poate fi agățată de mașină cauzând prinderea.

Feriți mâinile de piesele în rotație, cum sunt rolele, alezorul, cuțitul-disc și țeava. Lăsați piesele să se oprească complet înainte de a manipula unealta sau țeava. Această practică reduce pericolul de prindere de către piesele în mișcare de rotație.

Sprrijiniți corect țevile. Aceasta reduce riscul de vătămare prin lovire și strivire prin căderea țevii sau echipamentului.

Atât procesul de lucru, cât și întrerupătorul-pedală trebuie controlate de o singură persoană. Atunci când mașina funcționează, numai operatorul are voie să se găsească în zona de lucru. Aceasta ajută la reducerea riscului de vătămare.

Respectați instrucțiunile de operare, pentru a reduce riscul de vătămare gravă prin electrocutare, apucare, strivire sau alte cauze și pentru a preveni deteriorarea mașinii.

Asigurați-vă că mașina și zona de lucru au fost pregătite corespunzător, iar în zona de lucru nu sunt trecători sau alte motive de distragere a atenției. Operatorul trebuie să fie unica persoană în zonă în timp ce mașina este operată.

Reglarea dispozitivului de tăiat pentru diferite mărimi de țevi

Comutator reglare rapidă dimensiuni

Comutatorul de reglare rapidă pe dimensiuni este prevăzut pentru reglarea rapidă între mărimile de țevă 2" (50 mm) și mai mici și 2" până la 4" (50 mm până la 100 mm).

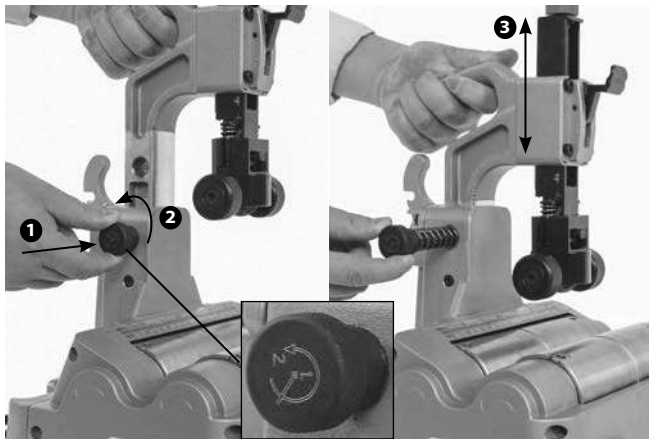


Figura 6 – Comutator reglare rapidă dimensiuni

1. Fără nici o țevă în dispozitivul de tăiat, apucați mânerul și eliberați știftul prin apăsare ușoară a butonului ❶ și rotire ușoară în sens antiorar ❷. Butonul este tensionat cu un arc și se retrage; controlați mișcarea butonului. Vezi figura 6.
2. Cu ajutorul mânerului mișcați capul în poziția dorită ❸.
3. Introduceți butonul comutatorului rapid pentru a reține capul în poziție.

Reglare rapidă avans cuțit

Reglarea rapidă a avansului cuțitului este utilizată pentru deplasarea înainte și retragerea cuțitului-disc în timpul operației de tăiere.

1. Pentru deplasarea înainte a cuțitului-disc, apăsați în jos maneta (Figura 7A) până se angajează în țevă.
2. Pentru retragerea cuțitului-disc, slăbiți mânerul/șurubul de avans 1-2 ture (Figura 7B) și apăsați butonul de eliberare (Figura 7C) pentru a permite retragerea (este tensionat de un arc – controlați mișcarea mânerului).

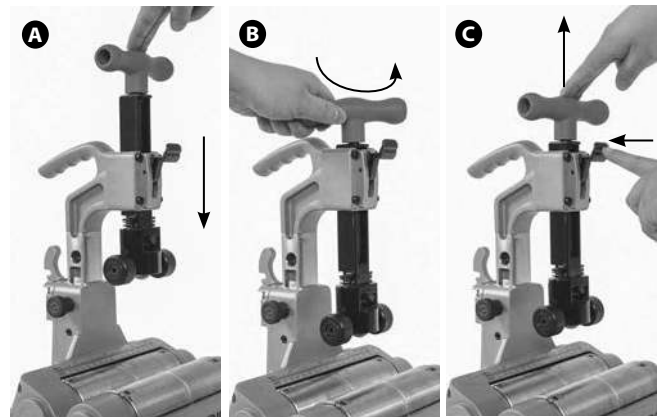


Figura 7 – Avans rapid: A-Înainte, B-Eliberare, C-Retragere

Selectarea/Schimbarea vitezei de operare

Dispozitivul electric pentru tăiat tubulaturi are două viteze de operare – LOW (Joasă) și HIGH (Înaltă), vezi Figura 8.

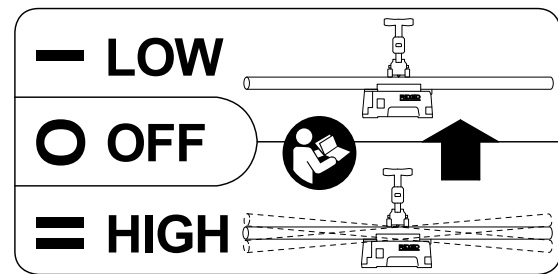


Figura 8 – Etichetă viteză

Viteza LOW (Joasă) (Setarea comutatorului I-Low). Aceasta scade riscul de vibrație și oscilare a țevii în timpul utilizării.

Recomandată pentru țevi cu diametrul 2" (50 mm) și mai mici, și mai lungi de 6.5' (2 m)

Viteza HIGH (Înaltă) (Setarea comutatorului II-High). Prin aceasta se reduce timpul de tăiere.

Pentru țevi cu diametrul mai mare de 2" (50 mm), la orice lungime

Pentru orice țevă mai scurtă de 6.5' (2m)

Vibrațiile și oscilațiile țevelor depind de mai mulți factori, cum sunt lungimea țevii, dimensiunea, greutatea, rectiliniaritatea, alinierea pe stativ, turația roților etc. Dacă la un moment simțiți că țevă vibrează sau oscilează exagerat, eliberați întrerupătorul-pedală. Dacă sunteți în viteza II-High, schimbați în I-Low și încercați din nou. Dacă sunteți în treapta I-Low, schimbați la altă metodă de tăiere pentru acea piesă, cum ar fi tăierea manuală.

Pentru a schimba vitezele, eliberați întrerupătorul-pedală și lăsați cuțitul să se oprească complet. Mutați comutatorul în poziția dorită. Nu schimbați viteza de operare în timpul funcționării mașinii.

Tăierea țevii

1. Verificați țeava să nu fie evident curbată și să nu aibă fittinguri atașate. Tăierea țevelor curbate sau a țevelor cu fittinguri poate cauza vibrații excesive și pierderea controlului. Folosiți un dispozitiv de tăiere manual dacă este necesar. Trasați țeava la lungimea dorită. Pentru comoditate pe mașină este prevăzută o scală de măsurare.
2. Dacă este necesar, reglați domeniul de mărimi al dispozitivului pentru tăiat tubulaturi cu ajutorul comutatorului de reglare rapidă a dimensiunilor.
3. Așezați țeava pe role, astfel încât trasajul de tăiere să fie localizat sub cuțitul-disc, pe reperul zero de pe scală. Dacă țeava depășește mașina, poziționați suportii sub țeavă. Suportii trebuie să fie reglați astfel încât țeava să se așeze perpendicular pe role. Aceasta permite urmărirea corectă a tăieturii. Vezi figura 3.
4. Poziționați-vă corect pentru lucru, astfel încât să vă asigurați controlul asupra mașinii și țevii (vezi figura 10):
 - Asigurați-vă un acces comod la scule și comutator.
 - Asigurați-vă că puteți comanda întrerupătorul-pedală. Încă nu puneți piciorul pe întrerupătorul-pedală. În caz de urgență trebuie să fiți capabil să eliberați întrerupătorul-pedală.
 - Aveți grijă să aveți un echilibru bun și să nu fie nevoie să vă înclinați exagerat.
5. Deplasați sistemul de avans rapid până când rolele suport fac contact cu țeava (Figura 9). Aliniați cuțitul-disc cu trasajul de pe țeavă. Strângeți șurubul de avans pentru a aduce cuțitul-disc în contact cu țeava. După ce cuțitul-disc face contact cu țeava, deplasați înainte șurubul de avans suplimentar cu 1 până la 1½ ture pentru a prinde țeava. Nu deplasați înainte exagerat șurubul de avans, se poate ovaliza țeava și crește formarea bavurilor.

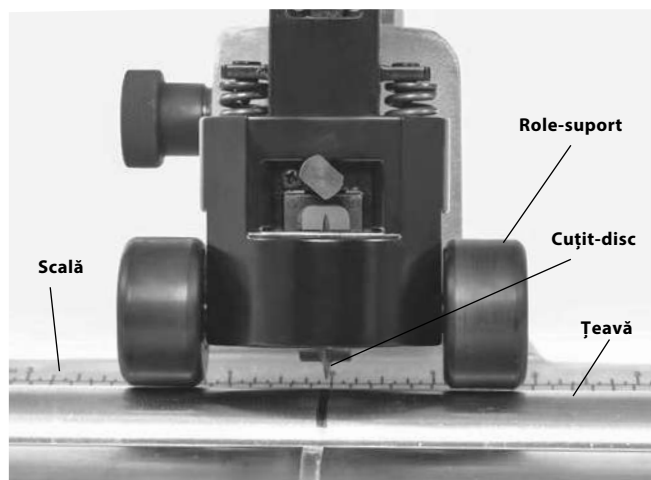


Figura 9 – Rolele suport fac contact cu țeava

6. Deplasați comutatorul I-Low/O-OFF/II-High în poziția corespunzătoare pentru țeava care va fi tăiată
7. Apăsăți întrerupătorul-pedală. Rolele și țeava încep să se rotească. Feriți mâinile de piesele în rotație.



Figura 10 – Tăierea țevii

8. Deplasați înainte șurubul de avans prin strângere lentă și continuă până când țeava este tăiată. Tăierea agresivă poate deteriora cuțitul-disc și să cauzeze bavuri în exces. Mențineți rolele suport în contact cu țeava, pentru a menține țeava pe poziție.
Dacă țeava se spiralează în timpul tăierii, opriți tăierea și verificați pregătirea inițială a mașinii, în special alinierea stativelor țevelor. Materialele diferite ale țevelor pot necesita o ușoară strângere suplimentară a șurubului de avans pentru îmbunătățirea urmăririi.
9. Ridicați piciorul de pe întrerupătorul-pedală. După care deplasați comutatorul I-Low/O-OFF/II-High în poziția O-OFF (Oprit).
10. Când țeava se oprește din rotație, slăbiți șurubul de avans 1-2 ture și apăsați butonul de eliberare pentru a retrage complet cuțitul-disc. Îndepărtați țeava.

Alezarea Țevii



Figura 11 – Montarea alezorului

1. Puneți comutatorul I-Low/O-OFF/II-High în poziția O-OFF (Oprit).
2. Scoateți alezorul din locul de depozitare și îl montați în poziția de utilizare, așa cum se arată în *Figura 11*. Asigurați-vă că alezorul este montat sigur.
3. Puneți comutatorul I-Low/O-OFF/II-High în poziția I-Low (Joasă).
4. Apăsați întrerupătorul-pedală. Feriți mâinile de capetele țevii și piesele în rotație.
5. Apucați în siguranță țeava. Sprijiniți corespunzător țeava pentru a menține controlul.
6. Așezați țeava deasupra conului alezorului și apăsați ușor (*Figura 12*) pentru a îndepărta bavurile de la interiorul capătului țevii. Nu forțați țeava în alezor; aceasta ar putea cauza antrenarea țevii de către alezor și rotirea ei în mână.



Figura 12 – Alezarea țevii

7. Ridicați piciorul de pe întrerupătorul-pedală.
8. Puneți comutatorul I-Low/O-OFF/II-High în poziția O-OFF (Oprit).
9. Scoateți alezorul din poziția de utilizare și îl readuceți la locul de depozitare.

Transportul

1. Demontați sau asigurați toate echipamentele slăbite și materialele de la mașină înainte de mutare, pentru a preveni căderea sau răsturnarea.
2. Puneți cuțitul-disc în poziția de jos.
3. Înfășurați cablul de alimentare și întrerupătorul-pedală în jurul cârligului cablului și le asigurați, așa cum se arată în *Figura 13*.
4. Ridicați cu mânerul. Procedați cu grijă la ridicare și mutare. Țineți seamă de greutatea mașinii.



Figura 13 – Cablu/Furtun înfășurate

Depozitare

⚠ AVERTIZARE Dispozitivul electric pentru tăiat tubulaturi trebuie păstrat uscat și la interior sau bine acoperit dacă este păstrat în exterior. Păstrați mașina într-o zonă închisă, ferită de accesul copiilor și al persoanelor nefamiliarizate cu dispozitivul electric pentru tăiat tubulaturi. Mașina poate cauza vătămări grave în mâinile utilizatorilor neinstruiți.

Instrucțiuni de întreținere

⚠️ AVERTIZARE

Asigurați-vă comutatorul să fie în poziția O-OFF (Oprit) și mașina să fie scoasă din priză înainte de executarea oricăror lucrări de întreținere și reglaj.

Întrețineți dispozitivul pentru tăiat conform acestor proceduri, pentru a reduce riscul de vătămări prin electrocutare, prinderi sau alte cauze.

Curățare

Curățați cu grijă mașina după fiecare utilizare cu o lavetă uscată curată. Mențineți rolele curate și fără murdărie sau reziduuri.

Mențineți alezorul curat și fără așchii, pentru eficiență maximă.

Curățați praful și reziduurile de pe fantele de ventilație ale motorului.

Lubrifiere

Lunar (sau mai frecvent dacă este necesar) lubrifiați toate piesele în mișcare expuse ale dispozitivului electric de tăiat țevi și stativului PC116TS (cum sunt șurubul de avans, sistemul de avans rapid, rolele și punctele de pivotare) cu un ulei de lubrifiere ușor. Ștergeți orice exces de ulei de pe suprafețele expuse.

Schimbarea cuțitului-disc

Vedeți *Specificații* pentru selectarea corectă a roții. Schimbați cuțitul-disc când tăiați diferite materiale, înlocuiți cuțitul-disc când muchia de tăiere se ciupește sau se aplatizează. Pe aparat poate fi depozitat un cuțit-disc suplimentar. *Vezi figura 13.*

1. Scoateți știftul articulației. Suportul cuțitului-disc cade liber (*Figura 14*).



Figura 14 – Scoaterea suportului cuțitului-disc

2. Scoateți știftul roții și ansamblul cuțit-disc cu rulment (*Figura 15*).

3. Inspectați rulmentul. Rulmentul trebuie să se miște liber. Îl înlocuiți dacă este necesar.
4. Montați cuțitul-disc în ordinea inversă.

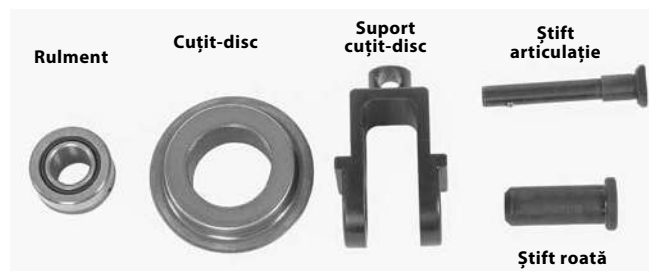


Figura 15 – Schimbarea cuțitului-disc

Protecția la supracurent a motorului

Dispozitivul de tăiat este echipat cu o protecție la supracurent care oprește mașina pentru a proteja motorul dacă absoarbe curent excesiv.

Dacă mașina se oprește neașteptat, eliberați întrerupătorul-pedală. Puneți comutatorul în poziția O-OFF (Oprit) și scoateți mașina din priză. Scoateți orice țevă din mașină. Urmați secțiunile *Inspekția înainte de utilizare* și *Pregătirea mașinii și zonei de lucru*, pentru a vă asigura că mașina funcționează corespunzător.

Schimbarea periilor motorului

Verificați periile motorului la fiecare șase luni, periile trebuie schimbate dacă lungimea este mai mică de 5 mm (0.2").

1. Asigurați-vă comutatorul să fie în poziția O-OFF (Oprit) și mașina să fie scoasă din priză.
2. Desfaceți cele cinci șuruburi care țin capacul inferior (*Figura 16*) și scoateți capacul (unele șuruburi rămân în capac).
3. Folosiți o șrubelniță pentru deșurubarea și îndepărtarea capacelor periilor (*Figura 17*). Scoateți cu grijă periile de cărbune și verificați lungimea (*Figura 18*). Dacă lungimea periilor este mai mică de 5 mm (0.2"), schimbați periile.
4. Introduceți peria în suportul periei, aliniați corespunzător lamelele periilor cu profilele din suportul periilor.
5. Strângeți în mod sigur capacele periilor. Montați la loc capacul inferior.
6. Odată asamblată la loc mașina, rulați mașina în treapta II-High (Înaltă) timp de cinci minute, fără țevă în mașină, pentru rodajul periilor.

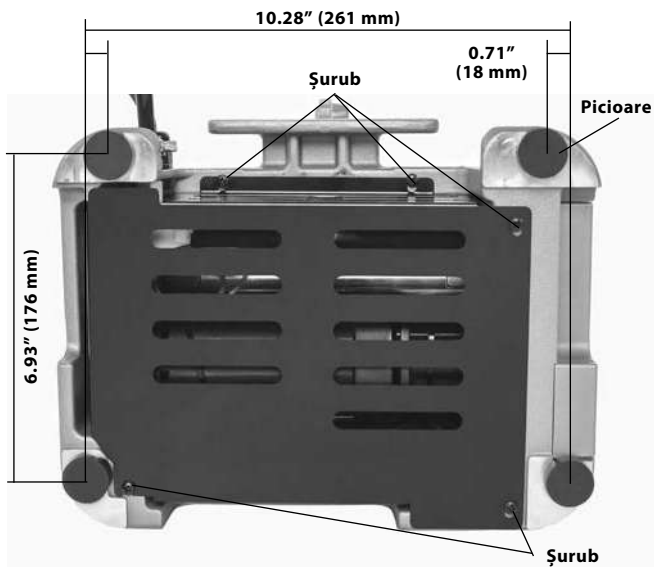


Figura 16 – Șuruburi capac inferior

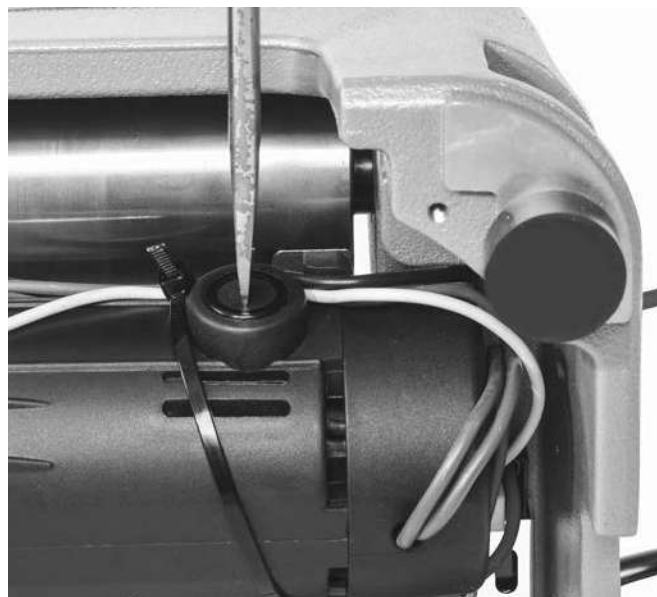


Figura 17 – Scoaterea capacului periei

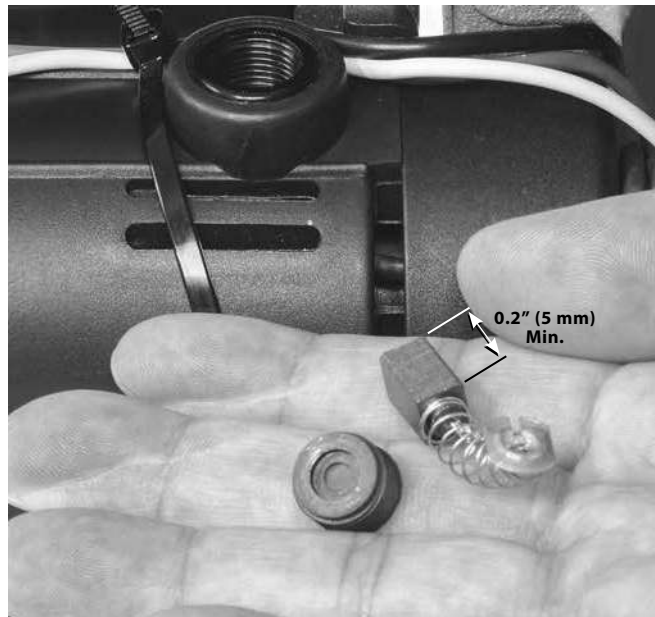


Figura 18 – Inspectarea lungimii periilor

Scanați codul QR de mai jos pentru accesarea literaturii și filmelor video ale mașinii-unelte PC116/PTC-400.



Depanare

PROBLEMĂ	CAUZE POSIBILE	REZOLVARE
Vibrații excesive în timpul funcționării.	Viteza de operare greșită.	Vedeți <i>Selectarea vitezei de operare</i> .
	Tăierea țevii curbate.	Nu tăiați o țevă evident curbată. Folosiți un dispozitiv de tăiere manual.
	Țeava lungă nu este suportată corespunzător.	Sprrijiniți țeava lungă cu stative de țeavă.
Mașina nu taie corespunzător țevile.	Mașina nu este montată corect.	Montați corect mașina, pe o suprafață plană, ancorată cu dibluri.
	Cuțit-disc uzat.	Înlocuiți cuțitul-disc uzat.
Mașina se calează în timpul tăierii.	Folosirea unei țevi de dimensiune sau material incorecte.	Folosiți tipul corect de țeavă (vedeți <i>Specificații</i>).
	Avans agresiv al cuțitului-disc în timpul tăierii.	Avansați ușor cuțitul-disc.
Mașina nu funcționează.	Periile motorului sunt uzate.	Montați perii de motor noi.
	Protecția la supracurent activată.	<i>Urmați instrucțiunile pentru supracurent la motor în Secțiunea întreținere.</i>
Bavuri sau deformări de capăt exagerate ale țevii.	Cuțit-disc uzat sau deteriorat.	Înlocuiți cuțitul-disc.
	Avans agresiv al cuțitului-disc în timpul tăierii.	Avansați ușor cuțitul-disc.
Mașina se oprește când întrerupătorul-pedală este apăsat. Repornește când întrerupătorul-pedală este apăsat din nou.	Orificiu în întrerupătorul-pedală/furtun.	Înlocuiți întrerupătorul-pedală.
	Scăpări de aer la întrerupător.	Dacă nu se găsește nici o problemă la întrerupătorul-pedală/furtun, dispuneți înlocuirea întrerupătorului pneumatic.

Service și reparații**▲ AVERTIZARE**

Un service sau o reparație incorect executate pot face mașina nesigură pentru utilizare.

Instrucțiunile de întreținere vor aborda majoritatea cerințelor de service ale acestei mașini. Orice problemă care nu este abordată în acest capitol trebuie rezolvată numai de un tehnician de Centru service independent RIDGID. Utilizați numai piese de schimb RIDGID.

Pentru informații privind cel mai apropiat centru independent de service RIDGID sau orice întrebări referitoare la service sau reparații, consultați secțiunea *informații de contact* a acestui manual.

Echipamente opționale**▲ AVERTIZARE**

Pentru a reduce riscul de rănire gravă, utilizați numai accesoriile proiectate special și recomandate pentru utilizare cu dispozitivul pentru tăiat tubulaturi RIDGID PC116/PTC-400, cum ar fi cele enumerate în continuare.

Nr. catalog	Descriere
64903	Stativ țeavă PC116TS pentru utilizare cu PC116/PTC-400
66253	Perii cărbune motor PC116 220-240V
66248	Perii cărbune motor PC116 100-120V
56662	VJ-99 Stativ înalt cu cap V pentru țevi 28" - 52"
64908	Alezor 137S pentru PC116/PTC-400
66938	Cuțit-disc E850 (pentru țevi metalice)
66943	Cuțit-disc E855 (pentru țevi din plastic)
64898	Rulment cuțit-disc

Pentru o listă completă a echipamentelor RIDGID disponibile pentru aceste mașini-unelte, consultați catalogul online Ridge Tool accesând RIDGID.com sau, *vezi informațiile de contact*.

Dezafectare

Componentele acestor scule conțin materiale valoroase și pot fi reciclate. Există companii specializate în reciclare care pot avea reprezentanțe locale. Dezafecțați componentele în conformitate cu toate reglementările în vigoare. Pentru informații suplimentare contactați autoritățile locale de gestionare a deșeurilor.



Pentru țările CE: nu aruncați echipamentele electrice împreună cu deșeurile menajere!

În conformitate cu Directiva Europeană 2012/19/UE privind deșeurile de echipamente electrice și electronice, și implementarea acesteia în legislația națională, echipamentele electrice care nu mai pot fi folosite trebuie

colectate și reciclate într-un mod nepoluant.

PC116/PTC-400 Elektromos csővágó



⚠ FIGYELMEZTETÉS!

A berendezés használata előtt figyelmesen olvassa el ezt az útmutatót. A figyelmeztetések és utasítások meg nem értése és be nem tartása áramütést, tüzet és/vagy súlyos sérülést okozhat.

PC116/PTC-400 Elektromos csővágó

Jegyezze fel és őrizze meg alább a sorozatszámot, melyet az adattáblán talál meg.

Sorozat-
szám

--

Tartalomjegyzék

A berendezés sorozatszámának rögzítésére szolgáló rész	245
Biztonsági szimbólumok	247
A szerszámgépekre vonatkozó általános biztonsági figyelmeztetések	247
A munkaterület biztonsága	247
Elektromos biztonság.....	247
Személyes biztonság	248
A szerszámgép használata és karbantartása.....	248
Szerviz.....	248
Különleges biztonsági információk	248
A RIDGID kapcsolattartási információi	249
Ismertetés	249
Műszaki adatok	250
Alapfelszereltség.....	250
Összeállítás	250
Rögzítés munkapadra	250
Használat előtti ellenőrzés	251
A gép és a munkaterület elrendezése	251
PC116TS Állvány/beállítás.....	252
Használati utasítás	253
A Csővágó beállítása különböző csőméretekhez	253
Üzemi fordulatszám kiválasztása/módosítása	254
Csövek vágása	254
Cső sorjázása	255
Szállítás	256
Tárolás	256
Karbantartási útmutató	256
Tisztítás	257
Kenés.....	257
Vágógörgő cseréje	257
A motor túláram-védelme	257
A motor keféinek cseréje	257
Hibaelhárítás.....	259
Szerviz és javítás.....	259
Opcionális felszereltség	259
Ártalmatlanítás	260
EK Megfelelőségi nyilatkozat	A hátsó borító belső oldalán
Örökgarancia	Hátsó borító

* Eredeti használati utasítás fordítása

Biztonsági szimbólumok

Az üzemeltetési útmutatóban és a terméken szereplő biztonsági szimbólumok és jelzőszavak fontos biztonsági információk közlésére szolgálnak. Ez a rész ezen szimbólumok és jelzőszavak megértését segíti.



Ez a biztonsági figyelmeztető szimbólum. A szimbólum a lehetséges személyi sérülés kockázatára hívja fel a figyelmet. Az esetleges sérülések vagy halál elkerülésének érdekében tartsa be a szimbólumot követő biztonsági üzeneteket.

⚠ VESZÉLY

A VESZÉLY szó olyan kockázatos helyzetet jelöl, melyet ha nem kerülnek el, halállal vagy komoly sérülésekkel jár.

⚠ FIGYELMEZTETÉS

A FIGYELMEZTETÉS szó olyan kockázatos helyzetet jelöl, melyet ha nem kerülnek el, halállal, vagy komoly sérülésekkel járhat.

⚠ VIGYÁZAT

A VIGYÁZAT szó olyan kockázatos helyzetet jelöl, mely kisebb, mérsékeltebb sérülésekkel járhat.

MEGJEGYZÉS

A MEGJEGYZÉS szó a vagyontárgyak védelmével kapcsolatos információkat jelöli.



Ez a szimbólum azt jelenti, hogy figyelmesen olvassa el az üzemeltetési útmutatót a készülék használata előtt. A kezelési útmutató fontos információkat tartalmaz a készülék biztonságos és megfelelő használatával kapcsolatban.



Ez a szimbólum azt jelenti, hogy a szemsérülések elkerülésének érdekében mindig viseljen oldalárnyékolóval ellátott védőszemüveget vagy szemvédőt, amikor kezeli vagy használja a készüléket.



Ez a szimbólum áramütés kockázatát jelöli.



Ez a szimbólum azt jelzi, hogy a kezeket, ujjakat és más testrészeket a görgők vagy más mozgó alkatrészek elkapathatják, ill. felcsavarhatják.



Ez a szimbólum annak a veszélyére utal, hogy a kezét, ujját vagy egyéb testrészeit vágott sérülés érheti a forgó vagy mozgó alkatrészek által.



Ez a szimbólum a gép felborulásának veszélyét jelzi, ami ütései vagy zúzódási sérülést okozhat.



Ez a szimbólum azt jelzi, hogy a gép működtetése során ne viseljen kesztyűt, csökkentendő a beakadás veszélyét.

A szerszámgépekre vonatkozó általános biztonsági figyelmeztetések*

⚠ FIGYELMEZTETÉS

A szerszámgéphez tartozó összes biztonsági figyelmeztetést, útmutatót, ábrát és előírást el kell olvasni. Az utasítások be nem tartása áramütést, tüzet és/vagy súlyos sérülést eredményezhet.

MINDEN FIGYELMEZTETÉST ÉS UTASÍTÁST ŐRIZZEN MEG A KÉSŐBBIEKRE!

A figyelmeztetésekből a „szerszámgép” kifejezés az Ön hálózati áramforrásról működő (vezetékes) vagy akkumulátoros működésű (vezeték nélküli) szerszámgépére vonatkozik.

A munkaterület biztonsága

- **A munkakörnyezetet tartsa tisztán, és biztosítsa a megfelelő megvilágítást.** A zsúfolt vagy sötét helyek vonzzák a baleseteket.
- **Ne működtesse a szerszámgépeket robbanásveszélyes környezetben, például gyúlékony folyadékok, gázok vagy por jelenlétében.** A szerszámgépek szikrái begyűjtik a porokat és gőzöket.

- **A szerszámgép működtetése során tartsa távol a gyermekeket és az ott tartózkodókat.** Figyelmének elvonása esetén elvesztheti ellenőrzését a készülék fölött.

Elektromos biztonság

- **A szerszámgép dugaszának illeszkednie kell az aljzatba. Semmilyen módon ne módosítsa a dugaszt. Földelt szerszámgéppel ne használjon csatlakozóadaptert.** Az átalakítás nélküli dugók és a hozzájuk illő aljzatok használata csökkenti az áramütés veszélyét.
- **Kerülje a testelt vagy földelt felületek, például csövek, fűtőtestek, tűzhelyek és hűtők érintését.** Ezekben az esetekben, ha az Ön teste testelt vagy földelt, nagyobb az áramütés veszélye.
- **Óvja a szerszámgépeket az eső vagy nedvesség hatásától.** A gépbe jutó víz növeli az áramütés kockázatát.
- **A csatlakozózsínort kíméletesen használja. Soha ne hordozza, húzza vagy áramtalanítsa a szerszámgépet a zsinórt fogva, illetve húzva. Óvja a zsinórt a melegtől, olajtól, élektől és mozgó alkatrészeketől.** A sérült, ill. beakadt vezeték megnöveli az áramütés kockázatát.
- **Ha a szerszámgépet a szabadban használja, kültéri használatra szolgáló hosszabbítózsínort alkalmazzon.** A kültéri használatra engedélyezett hosszabbító használat csökkenti az áramütés veszélyét.

* A jelen kézikönyv Szerszámgépekre vonatkozó általános biztonsági figyelmeztetések c. fejezetében leírt szöveg az előírásoknak megfelelően az UL/CSA /EN 62841-1 kiadású szabvány szó szerinti kivonata. E fejezet számos különböző típusú szerszámgéphez tartalmaz általános biztonsági gyakorlatokat. Nem mindegyik óvintézkedés vonatkozik mindegyik szerszámra; egyes leírt óvintézkedések esetleg erre a szerszámra nem vonatkoznak.

- **Ha a szerszámgépet feltétlenül nedves helyen kell használni, hibaáram-védőkapcsolóval (GFCI) védett tápot alkalmazzon.** A hibaáram-védőkapcsoló használatával csökkenthető az áramütés kockázata.

Személyes biztonság

- **Legyen elővigyázatos, figyeljen oda a munkára, és megfontoltan használja a szerszámgépet. Ne használja a gépet fáradtan, illetve gyógyszer, alkohol vagy kábítószer hatása alatt.** A szerszámgépek működése során egy pillanatnyi figyelmetlenség is súlyos személyi sérülést okozhat.
- **Használjon személyi védőfelszerelést. Mindig viseljen szemvédőt.** A körülményeknek megfelelő védőfelszerelés, például porszűrő maszk, csúszásmentes biztonsági lábbeli, védősisak vagy fülvédő használatával csökkenthető a személyi sérülés kockázata.
- **Akadályozza meg a véletlen beindítást. Mielőtt a szerszámgépet az áramforráshoz és/vagy akkuhoz csatlakoztatná, felvenné, ill. szállítaná, mindig ellenőrizze, hogy a kapcsoló OFF (KI) állásban van-e.** Ha a szerszámgépeket úgy szállítja, hogy ujjá a kapcsolón van, ill. bekapcsolt kapcsolójú szerszámgépet köt be a hálózatba, az minden esetben balesetveszélyes.
- **Távolítson el minden beállítókulcsot a szerszámgép bekapcsolása előtt.** Ha a szerszámgép egy forgó alkatrészén rajta marad egy kulcs, az személyi sérüléshez vezethet.
- **Ne végezzen munkát veszélyesen kinyújtózott helyzetben. Mindig stabilan álljon, és ügyeljen az egyensúlyára.** Így váratlan helyzetben könnyebben megőrizheti uralmát a szerszámgép fölött.
- **Legyen megfelelő az öltözeke. Ne viseljen laza ruhát vagy ékszert. Tartsa távol a mozgó alkatrészekről a haját és a ruháját.** A laza ruházatot, ékszereket vagy hosszú hajat bekaphatják a mozgó alkatrészek.
- **Ha csatlakoztathatók porelszívó és -gyűjtő berendezések, akkor gondoskodjon ezek megfelelő csatlakoztatásáról és használatáról.** Porgyűjtés alkalmazásával csökkenthető a porral kapcsolatos veszélyek.
- **Ne hagyja, hogy a gyakori szerszámhasználat adta tájékozottság elbizakodottságra, ill. a szerszámok biztonsági elveinek figyelmen kívül hagyására adjon okot.** Az óvatlanság miatt a másodperc törtrésze alatt súlyos személyi sérülés keletkezhet.

A szerszámgép használata és karbantartása

- **Ne erőltesse túl a szerszámgépet. Mindig a feladatnak megfelelő szerszámgépet használja.** A megfelelő szerszámgéppel jobban, biztonságosabban végezhető el a munka, és a készülék a tervezett sebességgel fog működni.

- **Ne használja a szerszámgépet, ha az a kapcsolóval nem kapcsolható BE vagy KI.** A kapcsoló segítségével nem vezérelhető szerszámgép veszélyes, és javításra szorul.

Mielőtt bármilyen beállítást végezne, kiegészítőt cserélne, vagy eltenné a szerszámgépet, húzza ki annak dugóját az elektromos aljzatból, illetve válassza le róla az akkumulátort (ha az leválasztható). Az ilyen megelőző biztonsági intézkedésekkel csökkenthető a szerszámgép véletlen beindításának veszélye.

- **A használaton kívüli szerszámgépet gyermekek elől elzárt helyen tartsa. Ne engedje, hogy olyan személy használja a berendezést, aki nem ismeri jól azt, vagy a jelen útmutatót.** Gyakorlatlan felhasználó kezében a szerszámgépek veszélyesek lehetnek.
- **Tartsa karban a szerszámgépeket. Ellenőrizze, jól igazodnak-e a mozgó alkatrészek, semmi sem akadályozza-e a mozgásukat, nincsenek-e eltörve az egyes alkatrészek, és ellenőrizzen minden olyan további körülményt, amely befolyásolhatja a szerszámgép működését. A sérült szerszámgépet javíttassa meg, mielőtt használná.** Sok baleset a nem megfelelően karbantartott szerszámgépek okoznak.
- **A vágóeszközöket tartsa élesen és tisztán.** A megfelelően karbantartott, éles vágóélű vágóeszközök kisebb valószínűséggel akadnak el, és könnyebb velük dolgozni.
- **A szerszámgépet, a kiegészítőket, a betétkéseket stb. a jelen használati útmutatónak megfelelően használja, figyelembe véve a munkakörülményeket és az elvégzendő munka jellegét.** A szerszámgépnek a tervezettől eltérő alkalmazása veszélyes helyzetet eredményezhet.
- **A fogantyúkat tartsa szárazon, tisztán, valamint olaj- és zsírmentesen.** Ha a fogantyúk, ill. a megfogófelületek csúszósak, akkor a használat nem lehet biztonságos, és váratlan helyzetekben megszűnhet a szerszám feletti uralom.

Szerviz

- **A szerszámgép javítását bízza képzett javító szakemberre, akinek az eredetivel azonos cserealkatrészeket kell használnia.** Ezzel biztosítható a szerszámgép biztonságának fenntartása.

Különleges biztonsági információk

▲ FIGYELMEZTETÉS

Ez a rész kizárólag a jelen szerszámgépre vonatkozó biztonsági információkat tartalmaz.

Az áramütés, tűz és a súlyos személyi sérülések kockázatának csökkentése érdekében a PC116/PTC-400 Elektromos csővágó használata előtt alaposan olvassa el ezeket az információkat.

MINDEN FIGYELMEZTETÉST ÉS UTASÍTÁST ŐRIZZEN MEG A KÉSŐBBIEKRE!

Az útmutatót a berendezéssel együtt tárolja, hogy az mindig elérhető legyen a kezelő számára.

- **Az Elektromos csővágó működtetése közben ne viseljen kesztyűt vagy laza ruházatot. A köpenyt és a ruhaujjakat mindig tartsa begombolva.** Ne nyúljon át a gépen. A ruházat beakadhat, és így a gép magával ránthatja a ruházat tulajdonosát is.
 - **Tartsa távol kezét a mozgó alkatrészekről, pl. görgők, sorjázószerszám, vágógörgő, cső. A szerszám, ill. a cső megfogása előtt várja meg, míg az alkatrészek teljesen leállnak.** Így csökken a forgó részekbe való beakadás veszélye.
 - **A gépet rögzítse stabil munkapadra vagy állványra. Megfelelően támassza alá a csöveket.** Ez csökkenti a cső és a berendezés felborulásából vagy leeséséből fakadó, ütés okozta sérülések és zúzódások kockázatát.
 - **Ne vágjon szemmel láthatóan elhajlott csövet, vagy szerelvényt ellátott csövet.** Csökkenti a nemkívánatos rezgések létrejöttének és a gép és/vagy a cső feletti uralom elvesztésének kockázatát.
 - **Mindig viseljen megfelelő szemvédőt és személyi védőfelszerelést.** A vágószerszámok eltörhetnek vagy széttörhetnek darabokra. Ez csökkenti a sérülés kockázatát.
- A munkafolyamatot és a lábkapcsolót egyazon személy irányítsa.** A gép működése közben csak a kezelő tartózkodhat a munkaterületen. Így csökkenthető a sérülés veszélye.
- **A súlyos személyi sérülések elkerülése érdekében a szerszám használata előtt olvassa el és értelmezze a jelen útmutatót, a többi felhasznált berendezés útmutatóját, valamint az összes többi alkalmazott anyag útmutatóját.**

A RIDGID kapcsolattartási információi

Ha kérdései vannak ezzel a RIDGID® termékkel kapcsolatban:

- Lépjen kapcsolatba a helyi RIDGID®-forgalmazóval.
- Látogasson el a RIDGID.com címre, és keresse meg az Ön esetében illetékes RIDGID kapcsolattartási pontot.
- Forduljon a Ridge Tool műszaki szervizrészlegéhez a következő elérhetőségen: rttechservices@emerson.com, ill. az USA-ban és Kanadában a következő számon: (800) 519-3456.

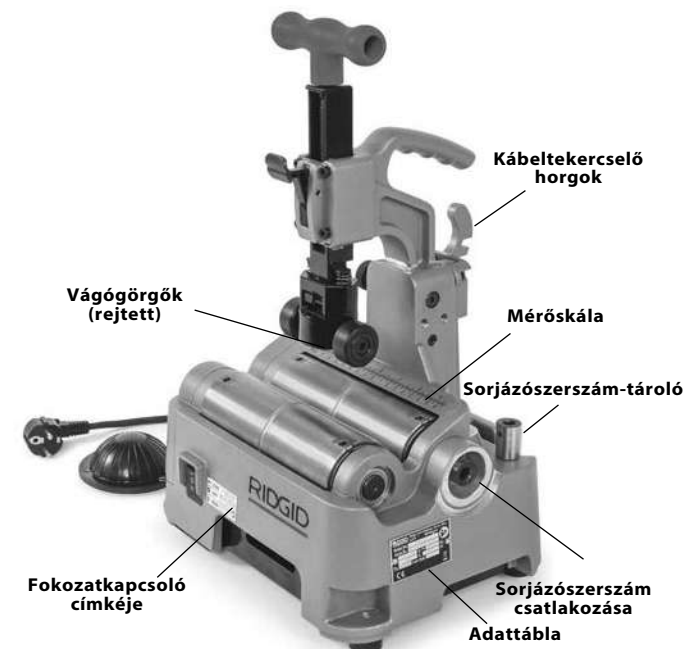
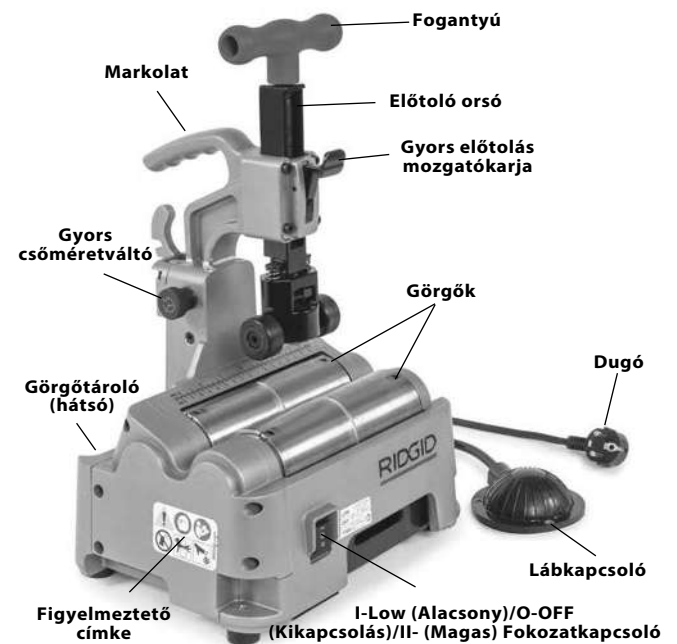
Ismertetés

A RIDGID® PC116/PTC-400 Elektromos csővágót ½" és 4" közötti (12 mm és 100 mm közötti) névleges méretű fém vagy műanyag csövek/kábelcsatornák vágására tervezték.

A görgő sebességét kétebességű kapcsolóval irányíthatja, illetve egy pneumatikus lábkapcsoló szolgál a motor ON/OFF (KI/BE) kapcsolására. A mérőskála segítségével megmérheti a szükséges csőhosszokat. Az egyszerű szállíthatóság érdekében az Elektromos csővágó könnyű és kompakt.

A sorjázószerszám választható kiegészítő, amely a csövek belsőjében kialakuló sorja eltávolítására szolgál. Legfeljebb 2" (50 mm) átmérőjű csövekhez használható.

A csővágó beépített csővezeték vágására nem alkalmas.



1. ábra – RIDGID® PC116/PTC-400 Elektromos csővágó



2. ábra – A gép sorozatszám

A gép sorozatszám a csővágó oldalán található. Az utolsó 4 számjegy mutatja a gyártás hónapját és évét. (10 = hónap, 19 = év).

Műszaki adatok

Névleges csőméret
vágási kapacitás $\frac{1}{2}$ "-től 4"-ig (12 mm-től 100 mm-ig)
Tényleges vágási
kapacitás $\frac{1}{2}$ "-től 4,5"-ig (12 mm-től 116 mm-ig)

Cső/kábelcsa- torna anyaga*	Maximális falvastagság	Vágógörgő	
		E-850 Kat. #66938	E-855 Kat. #66943
Szénacél	0.1" (2,5 mm)	X	
Rozsdamentes acél	0.1" (2,5 mm)	X	
Alumínium	0.1" (2,5 mm)	X	
Réz	0.1" (2,5 mm)		X
Műanyag	0.23" (6 mm)		X

* Csupán általános útmutatás. Az anyagösszetétel, a keménység és egyéb tényezők befolyásolják a vághatóságot, a görgők élettartamát, a sorjaképződést, stb.

Névleges sorjázási
teljesítmény $\frac{1}{2}$ "-től 2"-ig (12 mm-től 50 mm-ig)
(választható kiegészítő)

Legnagyobb csőhossz20' (6 m)

Motor

Típus.....	Univerzális	
Feszültség.....	100-120V	220-240V
Áramerősség.....	5,8 A	3,0 A
Frekvencia.....	50/60 Hz	50/60 Hz
Teljesítmény.....	705 W	705 W

Az adott egységre vonatkozó információkért tekintse meg a termék adattábláját.

Görgő fordulatszáma 220-240V esetén 190/363 ford./perc, 100-120V esetén 225/385 ford./perc

Vezerlés..... I-Low (Alacsony)/O-OFF (Kikapcsolás)/II- (Magas) Fokozatkapcsoló és ON/OFF (KI/BE) Lábkapcsoló

Súly 32 font. (14,5 kg)
Befoglaló méretek
H x Sz x M..... 11.6" x 9.4" x 15.9"
(295 mm x 239 mm x 403 mm)
Üzemi hőmérséklet..... -4°F és 122°F között
(-20°C és 50°C között)
Hangnyomásszint (L_{PA})* 82,3 dB(A), K=3
Hangteljesítmény (L_{WA})* 93,3 dB(A), K=3

* A hangmérések az EN 62481-1 szabvány szerinti szabványosított vizsgálatnak megfelelően történtek.

- A hangkibocsátás az Ön elhelyezkedésétől, valamint a szerszámok konkrét felhasználásától függően változó lehet.
- Mindegyik alkalmazáshoz külön kell kiértékelni a napi zajterhelési szinteket, és szükség esetén meg kell hozni a megfelelő biztonsági intézkedéseket. Az expozíciós szintek kiértékelésénél azt az időt is figyelembe kell venni, amikor a szerszám KI van kapcsolva és nincs használatban. Ez az idő jelentősen csökkentheti a teljes munkaidőre eső expozíciós szintet.

Alapfelszereltség

A szerszámgépek katalógusszámaihoz adott tartozékokról részletekért lásd a RIDGID katalógust.

MEGJEGYZÉS A megfelelő anyagok és telepítési, csatlakoztatási és alakadási módszerek megválasztása a rendszer tervezőjének és/vagy telepítőjének felelőssége. A nem megfelelően megválasztott anyagok vagy módszerek rendszerhibát okozhatnak.

A rozsdamentes acél és más korrózióálló anyagok a telepítés, csatlakoztatás és alakadás során szennyeződhetnek. Ez a szennyeződés korróziót okozhat, ami idő előtti meghibásodáshoz vezethet. Minden telepítési munkát megkísérlése előtt gondosan elemezni kell az adott üzemi feltételekhez megfelelő anyagokat és módszereket, beleértve a vegyszereket és a hőmérsékletet is.

A rozsdamentes acél vasszennyezésének elkerülésére bizonyosodjon meg róla, hogy a görgők tiszták és törmelékmentesek-e. Alaposan tisztítsa meg rozsdamentes acélsörtés kefével. Rozsdamentes acél vágása előtt cserélje le a vágógörgőt és a sorjázószerszámot. A legelőnyösebb, ha külön vágószerszámot tart fent rozsdamentes acélhoz.

Összeállítás

▲ FIGYELMEZTETÉS

Kövesse a megfelelő összeszerelési folyamatot a használat során bekövetkező komoly sérülések kockázatának csökkentése érdekében. Összeszerelés előtt a kapcsolónak OFF (KI) állásban kell lennie, és a gépet le kell csatlakoztatni a hálózatról.

Rögzítés munkapadra

A gép felszerelhető vízszintes, stabil munkapadokra is. Az egység munkapadra erősítéséhez csavarja ki a gépalapzat négy sarkában található gumitappancsokat (lásd 16. ábra), és használjon M8 csavarokat a gép padra rögzítéséhez. Alaposan húzza meg őket.

Használat előtti ellenőrzés

▲ FIGYELMEZTETÉS



Minden használat előtt vegye szemügyre az Elektromos csővágót, és hártson el minden problémát annak érdekében, hogy az elektromos áramütésből, beakadásból származó sérülések és zúzások sérülés, és egyéb okokból származó komoly sérülések, illetve a gép károsodása elkerülhető legyen.

1. Ellenőrizze, hogy az Elektromos csővágó ki van-e húzva a hálózati aljzatból.
2. Tisztítsa meg a gépet és a felszereléseket, a fogantyúkkal és kezelőszervekkel együtt. Ez megkönnyíti a szemrevételezéses ellenőrzést, egyben megakadályozza, hogy a gép vagy egyik kezelőeleme kicsússzon a kezéből. A gépet a karbantartási útmutató szerint kell megtisztítani és karbantartani.
3. Vizsgálja át az Elektromos csővágót a következőket szem előtt tartva:
 - Vizsgálja meg, hogy észlelhető-e sérülés vagy illetéktelen módosítás a vezetéken és a dugókon.
 - Megfelelő összeszereltség, karbantartottság és hiánytalanság.
 - Található-e bármilyen törött, kopott, hiányzó, elmozdult vagy összetapadt részegység vagy egyéb kár.
 - A lábkapcsoló megléte és működőképessége. Bizonyosodjon meg róla, hogy a lábkapcsoló csatlakoztatva van-e, jó állapotú-e, valamint simán, letapadás nélkül jár-e.
 - Az előtoló-orsó, vágógörgő, és támaszgörgők mozgásának akadálytalanoknak kell lennie.
 - Megvannak-e, ill. olvashatóak-e a figyelmeztető és egyéb címkék (Lásd 1. ábra).
 - Ellenőrizze, hogy a vágógörgő és a sorjázószerszám vágóélei nem kopottak-e, nincsenek-e kicsorbulva, ill. nem látható-e forgács vagy egyéb problémák. A kopott, sérült vagy laza vágószerszám kárt tehet az eszközben, rossz minőségű vágást eredményezhet, és növeli a személyi sérülés kockázatát.
 - A PC116TS állvány(ok) használatakor ügyeljen a tisztaságra, vizsgálja át és gondoskodjon a kenésről szükség szerint.
 - A biztonságos, normál működést megakadályozó bármilyen körülmény.

Ha bármilyen problémát talál, annak kijavításáig ne használja a szerszámgépet.

4. Minden egyéb használatban levő berendezést is a hozzájuk tartozó útmutatások szerint ellenőrizzen és tartson karban, mert csak így működnek megfelelően.

A gép és a munkaterület elrendezése

▲ FIGYELMEZTETÉS



Az Elektromos csővágót és a munkaterület ezen eljárások szerint állítsa össze annak érdekében, hogy az elektromos áramütésből, beakadásból származó sérülések és zúzódások, és egyéb okokból származó komoly sérülések, illetve a gép károsodása elkerülhető legyen.

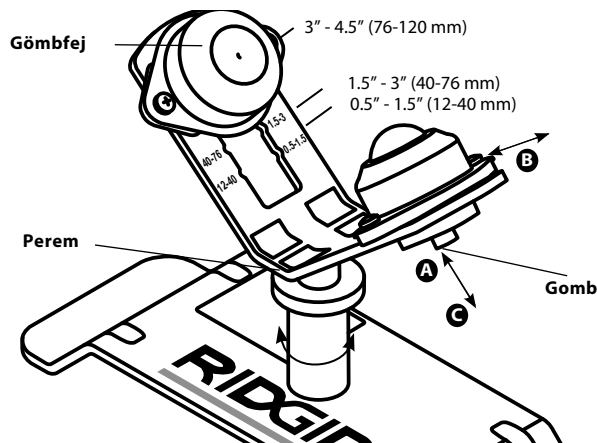
1. Ellenőrizze, hogy a munkaterületen:
 - Megfelelő-e a megvilágítás.
 - Található-e a közelben gyúlékony folyadék, gőz vagy por, mely könnyen lángra lobbanhat. Ha ilyenek megtalálhatók a területen, ne dolgozzon a helyszínen, míg az eredetüket nem azonosította, és a problémát nem hártotta el. A vágó nem robbanásbiztos, és szikrát kelthet.
 - Van-e tiszta, vízszintes, stabil, száraz hely a felszerelés és a kezelő számára.
 - Van-e megfelelően testelt, megfelelő feszültségű tápaljzat. A szükséges feszültség a gép adattábláján található. Nem biztos, hogy a háromeres vagy GFCI-aljzatok megfelelő földeléssel rendelkeznek. Ha bizonytalan, ellenőriztesse az aljzatot szakképzett villanyszerelővel.
2. Ellenőrizze az elvégzendő munkát. Határozza meg a cső anyagát, típusát és méretét. Határozza meg, milyen berendezésre van szükség a feladat elvégzéséhez. *Lásd Műszaki adatok fejezet.*
3. Bizonyosodjon meg róla, hogy minden használni kívánt berendezést megfelelően szereltek össze és átvizsgálták-e azokat.
4. A gépet helyezze sima, vízszintes, stabil felületre. Lásd "Rögzítés munkapadra" az Összeállítás fejezetben. Győződjön meg róla, hogy az egység stabil és biztonságos.
5. Ha a cső szabadon lévő hossza több, mint 6" (15 cm), akkor használjon egy, vagy több megfelelő állványt a cső alátámasztására. Helyezze az állványokat egy vonalba a görgőkkel. Hosszú csövek esetén előfordulhat, hogy több állványra lesz szüksége. Kizárólag az erre a célra tervezett állványokat használja. A nem megfelelő állványok használata, illetve a cső kézzel való alátámasztása

felborulás vagy beakadás okozta sérülésekhez vezethet. Ne haladja meg az állvány megjelölt teherbírását. Ha a vágó és az állvány egyazon síkon állnak, akkor használja a RIDGID PC116TS Csőtartó állványt a cső alátámasztására.

Ha munkapadon, vagy egyéb, a talaj síkjánál magasabban fekvő területen dolgozik, akkor többféle RIDGID Csőtartó állvány is használható a cső alátámasztására. A PC116/PTC-400-t a földön használja, akkor alkalmazza a RIDGID PC116TS Csőtartó állványt a cső alátámasztására. *Lásd 3. ábra.*



3. ábra – Állvány elhelyezése



4. ábra – PC116TS Állvány beállítása

PC116TS Állvány/beállítás

A PC116TS Állvány a PC116/PTC-400 Csővágóhoz tervezett választható kiegészítő, egyéb feladatokhoz nem használendő.

A gömbfejek csöméretéhez igazítása:

- a. Nyomja le a gombot **A**

- b. Mozdassa a gömbfejet a megfelelő csöméretrehoz tartozó helyzetbe (*lásd 4. ábra*) **B**

- c. Engedje fel a gombot – győződjön meg róla, hogy biztosan a helyén van-e **C**

Az állvány magasságának állításához forgassa a peremet, így emelheti vagy süllyesztheti az állvány fejét. Az állványt PC116/PTC-400 Csővágóval ugyanarra a sima, vízszintes felületre kell helyezni. *Lásd 3. ábra.* Szükség esetén alkalmazhatók távtartók (pl. egy darab fa) az állvány magasságának kiegészítésére.

6. Korlátozza a hozzáférést vagy állítson fel védőkorlátot/barikádot, hogy a gép és a cső körül legalább 3 láb (1 m) sugarú szabad terület maradjon. Így csökkenthető annak esélye, hogy a gépkezelőn kívül más is hozzáférjen a géphez vagy a csőhöz, valamint alacsonyabb a gép felborulásának, illetve a beakadás kockázata.

7. A megfelelő működtetési pozíció létrehozásához a lábkapcsolót a 8. ábrán látható módon helyezze el.

8. Vezesse át a vezetékét egy üres területen ügyelve rá, hogy a kapcsoló O-OFF (Kikapcsolás) állásban legyen végig. Száraz kézzel kösse be a tápvezeték dugóját a megfelelően földelt aljzatba. Minden elektromos csatlakozást tartson szárazon és távol a talajtól. Ha a tápkábel nem elég hosszú, használjon olyan hosszabbítókábelt, amely:

- Jó állapotban van.
- Az elektromos csővágóhoz hasonlóan háromágú dugóval rendelkezik.
- Kültéren is használható.
- Elegendő méretű vezetékkel rendelkezik. Legfeljebb 50' (15,2 m) toldáshoz alkalmazzon 14 AWG (2,5 mm²), vagy vastagabb vezetékét. 50'-100' (15,2 m - 30,5 m) toldáshoz alkalmazzon 12 AWG (2,5 mm²), vagy vastagabb vezetékét.

9. A megfelelő működés érdekében vizsgálja át az elektromos csővágót. Ha üres a keze:

- Mozdassa a sebességkapcsolót az I-LOW (Alacsony) fokozatba. Nyomja le, majd engedje fel a lábkapcsolót. A görgők az 5. ábrán látható nyilak irányába kell, hogy forogjanak. Amennyiben a gép nem a megfelelő irányba forog, vagy a lábkapcsolóval nem működtethető a gép, ne használja azt, amíg ki nem javították a hibát.

- Tartsa lenyomva a lábkapcsolót. Vizsgálja meg a mozgórészeket, hogy jól vannak-e beigazítva, nem szorulnak-e, nem adnak-e ki furcsa hangot, és nem tapasztalható-e bármi szokatlan. Vegye le a lábát a lábkapcsolóról. Amennyiben bármilyen szokatlan viselkedést tapasztal, ne használja a gépet, amíg a hibát ki nem javították.



5. ábra – Görgő forgásiránya

10. Állítsa a sebességkapcsolót O-OFF (Kikapcsolás) állásba, és száraz kézzel csatlakoztassa le a gépet a hálózatról

Használati utasítás

⚠ FIGYELMEZTETÉS



Az Elektromos csővágó működtetése közben ne viseljen kesztyűt vagy laza ruházatot. A köpenyt és a ruhaujjakat mindig tartsa begombolva. Ne nyúljon át a gépen. A ruházat beakadhat, és így a gép magával ránthatja a ruházat tulajdonosát is.

Tartsa távol kezét a mozgó alkatrészekről, pl. görgők, sorjázószerszám, vágógörgő, cső. A szerszám, ill. a cső megfogása előtt várja meg, míg az alkatrészek teljesen leállnak. Így csökken a forgó részekbe való beakadás veszélye.

Tartsa távol kezét a mozgó alkatrészekről, pl. görgők, sorjázószerszám, vágógörgő, cső. A szerszám, ill. a cső megfogása előtt várja meg, míg az alkatrészek teljesen leállnak. Így csökken a forgó részekbe való beakadás veszélye.

Megfelelően támassza alá a csöveket. Ez csökkenti a cső és a berendezés felborulásából vagy leeséséből fakadó, ütés okozta sérülések és zúzódások kockázatát.

A munkafolyamatot és a lábkapcsolót egyazon személy irányítsa. A gép működése közben csak a kezelő tartózkodhat a munkaterületen. Így csökkenthető a sérülés veszélye.

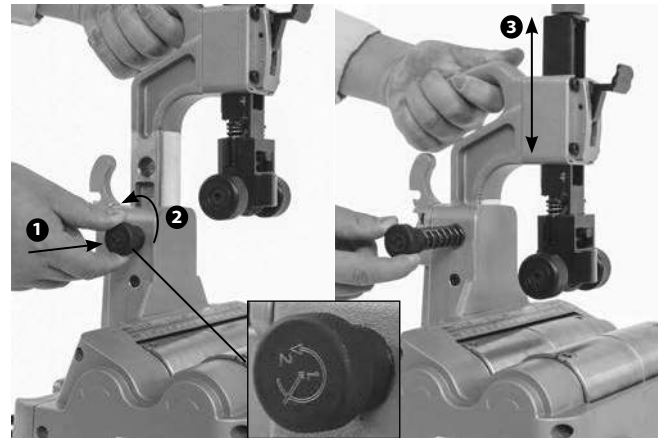
Kövesse a használati utasításokat annak érdekében, hogy az elektromos áramütésből, beakadásból származó sérülések és zúzódások, és egyéb okokból származó komoly sérülések, illetve a gép károsodása elkerülhető legyen.

Bizonyosodjon meg, hogy a gép és a munkaterület is megfelelően lett-e összeállítva, illetve hogy a munkaterületen nincs-e szemlélődő vagy egyéb zavaró tényező. A gép üzemeltetése közben kizárólag a gépkezelő tartózkodhat a területen.

A Csővágó beállítása különböző csőméretekhez

Gyors csőméretváltó

A gyors csőméret-váltó segítségével gyorsan válthatunk a 2" (50 mm) és annál kisebb, vagy a 2" és 4" közötti (50 mm és 100 mm közötti) mérettartományok között.



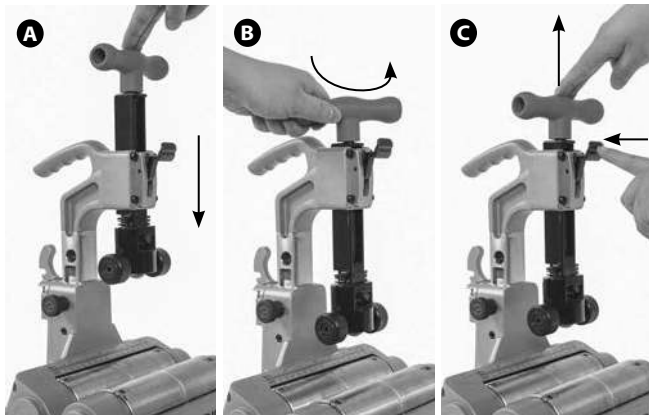
6. ábra – Gyors csőméret-váltó

1. Ha nincs cső a vágóberendezésen, akkor fogja meg a markolatot és szabadítsa fel a csapszeget úgy, hogy a gombot ① kissé benyomja, és az óramutató járásával ellentétes irányban elforgatja ②. A gomb rugó által működtetett és visszahúzódik, tartsa kézben a gomb mozgását. *Lásd 6. ábra.*
2. A markolat segítségével mozgassa a fejet a kívánt helyzetbe ③.
3. Helyezze be a gyorsváltó gombját a fej helyzetének rögzítéséhez.

Gyors előtolás mozgatókarja

A gyors előtolás mozgatókarjának segítségével növelheti vagy csökkentheti a vágógörgő előtolását vágás közben.

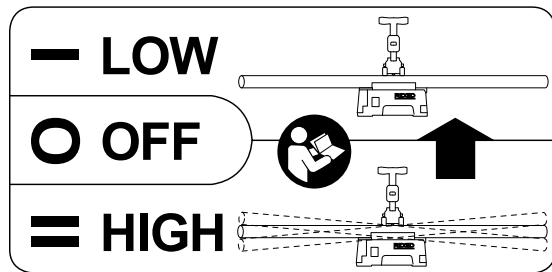
1. Az előtolás növeléséhez nyomja le a fogantyút (7A. ábra), amíg az el nem éri a csövet.
2. Az előtolás csökkentéséhez lazítsa meg a fogantyút/ előtoló-orsót 1-2 fordulattal (7B. ábra) majd nyomja be a mozgatókart (7C. ábra), lehetővé téve így annak visszahúzódását (rugóval működtetett – tartsa kézben a fogantyú mozgását).



7. ábra – Gyors előtolás: A-Előremozgatás, B-Lazítás, C-Visszahúzás

Üzemi fordulatszám kiválasztása/módosítása

Az Elektromos csővágó két üzemi fordulatszámmal rendelkezik - LOW (Alacsony) és HIGH (Magas), lásd 8. ábra



8. ábra – Sebességek címkéje

LOW (Alacsony) sebesség (I-Low (Alacsony) kapcsolóállás). Csökkenti a cső rezgésének és lengésének kockázatát használat közben.

6.5' (2 m)-nél hosszabb és 2" (50 mm) átmérőjű, vagy annál kisebb csövekhez ajánlott

HIGH (Magas) sebesség (II-High (Magas) kapcsolófokozat). Ez lecsökkenti a vágás idejét.

Bármely hosszúságú, 2" (50 mm)-nél nagyobb átmérőjű csövek esetén

Bármely, 6.5' (2 m)-nél rövidebb cső esetén

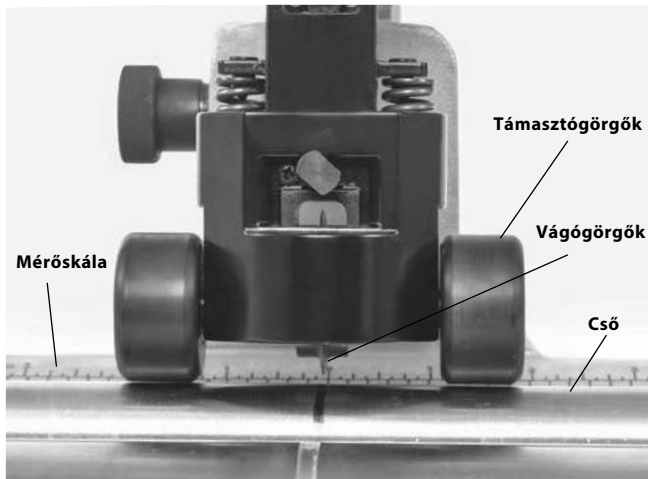
A cső rezgése és lengése több tényezőtől függ, pl. a cső hossza, átmérője, súlya, egyenessége, az állványok elhelyezkedése, a görgők sebessége, stb. Ha úgy érzi, hogy a cső túlságosan rezeg, vagy kileng, engedje fel a lábkapcsolót. Ha II-High (Magas) fokozatban van, állítsa I-Low (Alacsony) fokozatba, és próbálja újra. Ha I-Low (Alacsony) fokozatban van, válasszon más vágási módszert az adott darabhoz, pl. kézi vágót.

A sebesség változtatásához engedje fel a lábkapcsolót és várja meg, amíg a vágó teljesen megáll. Mozgassa a kapcsoló a

kívánt állásba. Ne változtassa az üzemi fordulatszámot, amíg a gép működésben van.

Csővek vágása

1. Ellenőrizze, hogy a cső nem rendelkezik-e szemmel látható elhajlással, és hogy nincsenek szerelvények csatlakoztatva hozzá. Elhajlott, vagy szerelvényvel ellátott csövek vágása túlzott rezgéshez, és az irányítás elvesztéséhez vezethet. Szükség esetén használjon kézi vágót. Jelölje meg a csövet a kívánt hossznál. A mérés megkönnyítésére gép rendelkezik mérőskálaival.
2. Ha szükséges, módosítsa az elektromos csővágó méret-tartományát a gyors csőméret-váltó segítségével.
3. Helyezze a csövet a görgőkre úgy, hogy a vágás helyének jelölése a vágógörgő alatt, a mérőskála nullpontjánál legyen. Ha a cső meghaladja a gép hosszát, akkor helyezzen támasztékot a cső alá. A támasztékokat úgy állítsa be, hogy a cső egyenletesen fekszen a görgőkre. Ezáltal biztosítható, hogy a vágás pályája megfelelő maradjon. Lásd 3. ábra.
4. Megfelelő üzemeltetési testhelyzetet vegyen fel, hogy meg tudja őrizni uralmát a cső és a gép felett (lásd 10. ábra):
 - Bizonyosodjon meg róla, hogy a szerszámok és a kapcsoló könnyen elérhető helyzetben vannak.
 - A lábkapcsolót minden esetben képesnek kell lenni kezelni. Még ne lépjen rá a lábkapcsolóra. Vészhelyzetben képesnek kell lennie a lábkapcsoló felengedésére.
 - Végig meg kell őriznie egyensúlyát. A túlzott kinyújtás nem megengedett.
5. Növelje az előtolást a gyors előtoló rendszerrel, amíg a támaszgörgők érintkezésbe nem lépnek a csővel (9. ábra). Illesse a vágótárcsát a csövön található jelölésre. A vágógörgő és a cső érintkezésbe hozatalához húzza meg az előtoló-orsót. A cső befogásához a vágógörgő és a cső érintkezésének létrejöttét követően növelje az előtolást az előtoló-orsón további 1 - 1½ fordulattal. Ne eressze le túlságosan az előtoló-orsót, mert eltorzíthatja a csövet és növeli a sorjaképződést.



9. ábra – A támaszgörgők érintkezésbe lépnek a csővel

6. Mozdassa a I-Low (Alacsony)/O-OFF (Kikapcsolás)/II-High (Magas) fokozatkapcsolót az aktuális csőnek megfelelő állásba.
7. Nyomja le a lábkapcsolót. A görgők és a cső forgása megindul. Tartsa távol a kezét a forgó alkatrészekről.



10. ábra – Cső vágása

8. Növelje az előtolást az előtoló-orsóval az orsó lassú, folyamatos meghúzásával addig, amíg a gép teljesen el nem vágta a csövet. A túl intenzív előtolás kárt okozhat a vágógörgőben, és túlzott sorjaképződést eredményezhet. A támaszgörgők és a cső mindig maradjanak érintkezésben, segítve így a cső helyben tartását.

Ha a cső vágás közben kileng, akkor állítsa meg a vágást, és vizsgálja meg a gép összeállítását, különös tekintettel a csőtartó állványok elhelyezkedésére. Egyes anyagok esetén szükséges lehet az előtoló-orsó kis

mértékű további meghúzása, hogy pontosabb legyen a vágás pályája.

9. Vegye le a lábát a lábkapcsolóról. Majd mozgassa az I-Low (Alacsony)/O-OFF (Kikapcsolás)/II-High (Magas) fokozatkapcsolót az O-OFF (Kikapcsolás) állásba.
10. Miután a cső forgása leállt, lazítsa meg az előtoló-orsót 1-2 fordulattal és nyomja le a gyors előtolás mozdatókarját, hogy teljesen visszaengedje a vágógörgőt. Távolítsa el a csövet.

Cső sorjázása



11. ábra – Sorjázószerszám felszerelése

1. Helyezze az I-Low (Alacsony)/O-OFF (Kikapcsolás)/II-High (Magas) fokozatkapcsolót az O-OFF (Kikapcsolás) állásba.
2. Távolítsa el a sorjázószerszámot a tárolására szolgáló helyről és helyezze fel a 11. ábrán látható használati pozícióba. Bizonyosodjon meg róla, hogy a sorjázószerszám megfelelően van rögzítve.
3. Mozdassa az I-Low (Alacsony)/O-OFF (Kikapcsolás)/II-High (Magas) fokozatkapcsolót az I-Low (Alacsony) állásba.
4. Nyomja le a lábkapcsolót. Tartsa távol a kezét a cső végétől és a forgó alkatrészekről.
5. Biztonságosan fogja meg a csövet. Az irányítás kézben tartásához megfelelően támassza alá a csövet.
6. Helyezze a csövet a sorjázószerszám kúpjára és óvatosan nyomja rá (12. ábra) a sorja eltávolításához a csővég belsőjéből. Ne erőltesse a csövet a sorjázószerszámra, mert előfordulhat, hogy a szerszám magával ragadja a csövet és forgatni kezdi, amíg az Ön kezében van.



12. ábra – Cső sorjázása

7. Vegye le a lábát a lábkapcsolóról.
8. Helyezze az I-Low (Alacsony)/O-OFF (Kikapcsolás)/II-High (Magas) fokozatkapcsolót az O-OFF (Kikapcsolás) állásba.
9. Távolítsa el a sorjázószerszámot a használati helyről és helyezze vissza a tárolásra szolgáló helyre.

Szállítás

1. A gép mozgatása előtt távolítson el minden laza berendezést és anyagot a gépről, vagy gondoskodjon azok rögzítéséről, hogy ne boruljanak fel vagy essenek le róla.
2. Helyezze a vágógörgőt alsó állásba.
3. Tekerje fel a tápkábelt és a lábkapcsoló hüvelyét a vezetőtartó kampóra és rögzítse a 13. ábrának megfelelően.
4. Emelje meg a markolat segítségével. Óvatosan emelje és mozgassa. Tartsa észben a gép súlyát.



13. ábra – Feltekert vezeték/hüvely

Tárolás

▲ FIGYELMEZTETÉS Az Elektromos csővágót száraz helyen, beltéren, ill. kültéri tárolás esetén megfelelően lefedve kell tárolni. Az Elektromos csővágót zárható helyen tartsa, hogy ne kerülhessen gyermekek vagy az Elektromos csővágó kezelésében nem jártas személyek kezébe. Gyakorlatlan felhasználó kezében a gép súlyos sérülést okozhat.

Karbantartási útmutató

▲ FIGYELMEZTETÉS
Mielőtt bármilyen karbantartási műveletet vagy módosítást végezne a gépen, gondoskodjon róla, hogy a kapcsoló O-OFF (Kikapcsolás) állásban legyen, valamint a gép csatlakozója ki legyen húzva a hálózati aljzatból.

Az áramütésből, elakadásból, ütődésből, zúzásból és egyéb okból bekövetkező sérülés veszélyének csökkentése érdekében a csővágót a jelen útmutató szerint kell karbantartani.

Tisztítás

Tiszta, száraz ruhával óvatosan tisztítsa meg a gépet minden használat után. Tartsa a görgőket tisztán, és szennyeződéstől és törmeléktől mentesen.

A legjobb hatásfok elérése érdekében tartsa a sorjázószerszámot tisztán és forgácstól mentesen.

Tisztítsa meg a portól és a törmeléktől a motor szellőzőnyílásait.

Kenés

Az Elektromos csővágó és a PC116TS állvány minden szabadon lévő, mozgó alkatrészét (pl. előtoló-orsó, gyors előtoló rendszer, görgők, forgatási/döntési pontok) havi rendszerességgel kenje meg (vagy gyakrabban, ha szükséges) könnyű kenőolajjal. Törölje le a felesleges olajat a szabadon álló felületekről.

Vágógörgő cseréje

Lásd *Műszaki adatok* a megfelelő vágógörgő kiválasztásához. Különböző anyagok vágásakor cseréljen vágógörgőt, ha a vágóél kicsorbul, vagy elveszíti életét, akkor cserélje ki a vágógörgőt. Az eszközön tárolhat egy további vágógörgőt. *Lásd 13. ábra.*

1. Távolítsa el a tartócsapszeget. A görgőtartó szabadabbá válik és kiesik (14. ábra).



14. ábra – Görgőtartó eltávolítása

2. Távolítsa el a görgőcsapszeget és a vágógörgőt/csapágyat (15. ábra).
3. Vizsgálja meg a csapágyat. A csapágyak szabadon kell forognia. Cserélje ki, ha szükséges.
4. A vágógörgő beszereléséhez fordítsa meg az előbbi eljárás lépéseit és azok sorrendjét.



15. ábra – Vágógörgő cseréje

A motor túláram-védelme

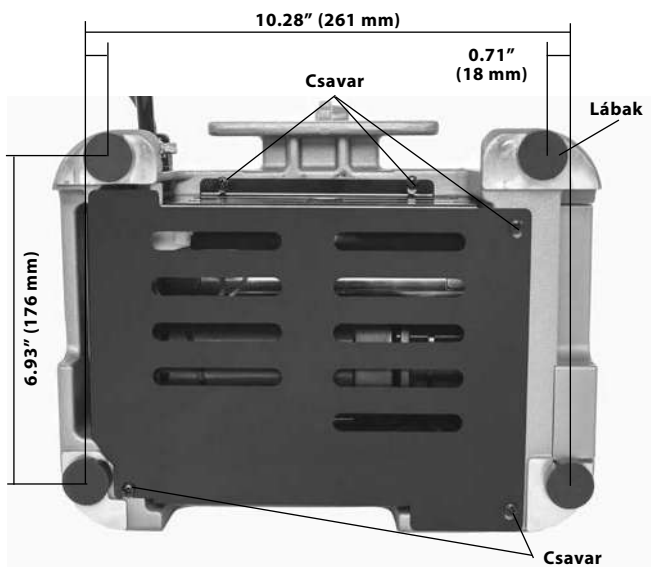
A csővágó rendelkezik túláram elleni védelemmel, ami a motor védelme érdekében kikapcsolja a gépet, ha túl nagy a motor által felvett áramerősség.

Ha a gép váratlanul leáll, akkor engedje fel a lábkapcsolót. Állítsa a sebességkapcsolót O-OFF (Kikapcsolás) állásba, és csatlakoztassa le a gépet a hálózatról. Távolítsa el a csövet a gépből. Kövesse a Használat előtti ellenőrzés és az A gép és munkaterület elrendezése fejezetekben leírtakat, hogy meggyőződjön a gép üzemszerű működéséről.

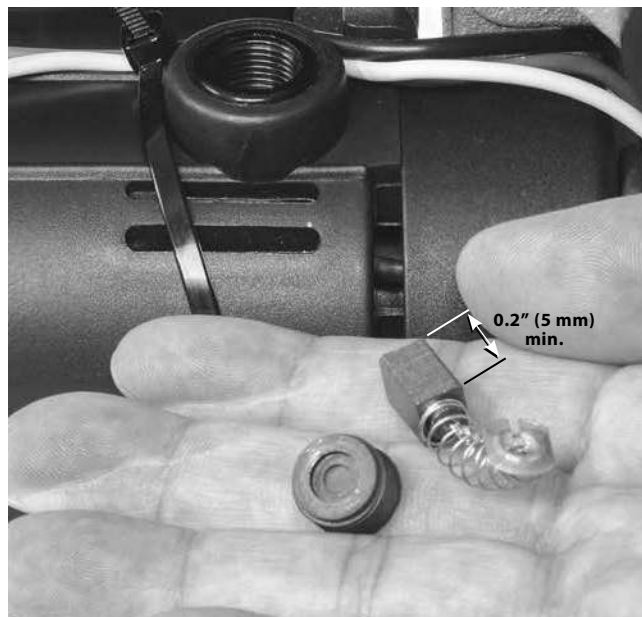
A motor keféinek cseréje

Minden hatodik hónapban ellenőrizze a motorkeféket, a keféket le kell cserélni, ha hosszuk kevesebb, mint 5 mm (0.2").

1. Győződjön meg róla, hogy a kapcsoló O-OFF (Kikapcsolás) állásban van, valamint, hogy a gép csatlakozója nincs bedugva a hálózati aljzatba.
2. Lazítsa ki a fenékburkolatot tartó öt csavart (16. ábra) és távolítsa el a burkolatot (néhány csavar a burkolathoz van rögzítve).
3. Egy csavarhúzó segítségével csavarozza ki és távolítsa el a kefetartó-fedelet (17. ábra). Óvatosan vegye ki a szénkeféket és ellenőrizze a hosszukat (18. ábra). Ha a kefék hossza kevesebb, mint 5 mm (0.2"), akkor cserélje ki a keféket.
4. Helyezze vissza a keféket a kefetartóba úgy, hogy a kefefülei és a kefetartó kikönnnyített részei megfelelően egymáshoz legyenek igazítva.
5. Húzza meg a kefetartó-fedelet úgy, hogy biztosan a helyén maradjon. Szerelje vissza a fenékburkolatot.
6. Ha a gépet újra összeszerelte, futtassa a gépet cső nélkül, II-High (Magas) fokozaton öt percen keresztül, hogy bejárassa a keféket.

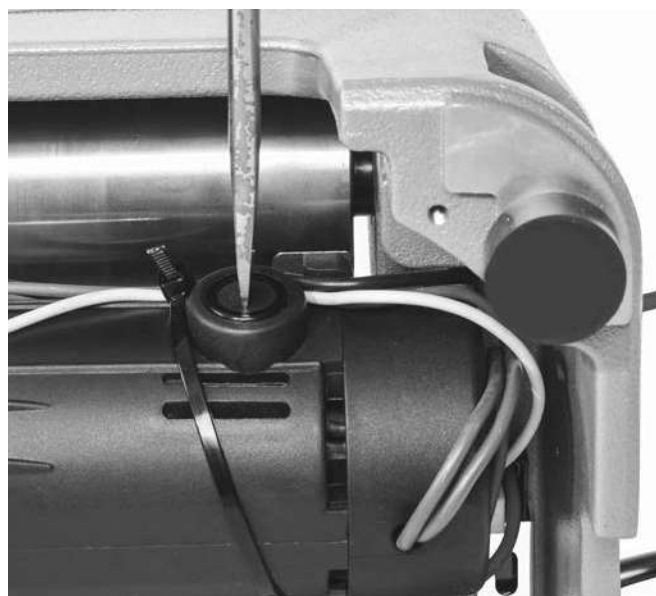


16. ábra – A fenékburkolat csavarjai



18. ábra – A kefék hosszának ellenőrzése

A PC116/PTC-400 leírásaihoz és a róluk készült videók eléréséhez szkennelje be az alábbi QR-kódot.



17. ábra – A kefetartó-fedél eltávolítása

Hibaelhárítás

PROBLÉMA	LEHETSÉGES OKOK	MEGOLDÁS
Túlzott rezgés üzem közben.	Nem megfelelő üzemi fordulatszám. Elhajlott cső vágása. Nem megfelelően alátámasztott, hosszú cső. A gép nincs megfelelően rögzítve.	Lásd <i>Üzemi fordulatszám módosítása</i> . Ne vágjon szemmel láthatóan elhajlott csövet. Használjon kézi vágót. A hosszú csöveket csőtámasztó állványokkal támassza meg. Rögzítse megfelelően a gépet sima felületen, csavarozza fel a rögzítőcsavarokkal.
A gép nem megfelelően vágja a csöveket.	Kopott vágógörgő. Nem megfelelő csőméret, vagy anyag használata.	Cserélje ki a kopott vágógörgőt. Használjon megfelelő típusú csővel (lásd <i>Műszaki adatok</i>).
A gép leáll vágás közben.	A vágógörgő túl intenzív előtölása vágás közben.	Óvatosan tolja előre a vágógörgőt.
A gép nem működik.	Kopottak a motor szénkeféi. Működésbe lépett a túláram-védelem.	Szereljen be új keféket. <i>Kövesse a Motor túláramvédelem utasításait a Karbantartás fejezeténél.</i>
Túlzott sorjaképződés, vagy a csővég deformációja.	Kopott, vagy sérült vágógörgő. A vágógörgő túl intenzív előtölása vágás közben.	Cserélje ki a vágógörgőt. Óvatosan tolja előre a vágógörgőt.
A gép leáll, amíg a lábkapcsoló le van nyomva. Akkor indul újra, ha a lábkapcsolót újra lenyomják.	Folytonossági hiány a lábkapcsolóban/hüvelyben. A légkapcsoló szivárog.	Cserélje ki a lábkapcsolót. Ha nem talált hibát a lábkapcsolóban/hüvelyben, cserélje ki a légkapcsolót.

Szerviz és javítás**▲ FIGYELMEZTETÉS**

A nem megfelelő szervizelés vagy javítás nem biztonságos üzemeltetést eredményezhet.

A *Karbantartási útmutató* című fejezet a gép szükséges karbantartását nagyrészt ismerteti. Az olyan problémák elhárítását, amellyel a jelen fejezet nem foglalkozik, a független RIDGID szervizközpontok egyikére kell bízni. Kizárólag RIDGID szervizalkatrészeket szabad használni.

A legközelebbi RIDGID független szervizközpont elérhetőségéért, ill. a szervizhez vagy javításhoz kapcsolódó kérdések esetén lásd a jelen kézikönyv *Kapcsolattartási információk* című bevezetését.

Opcionális felszereltség**▲ FIGYELMEZTETÉS**

A súlyos személyi sérülés kockázatának csökkentése érdekében csak kifejezetten a RIDGID PC116/PTC-400 Elektromos csővágóhoz tervezett és javasolt, alább felsorolt tartozékokat használja.

Katalógus-sz.	Ismertetés
64903	PC116TS Csőtartó állvány a PC116/PTC-400-hoz
66253	PC116 220-240V Motor szénkefe
66248	PC116 100-120V Motor szénkefe
56662	VJ-99 28" - 52" V-fejű magas csőtartó állvány
64908	137S Sorjázószerző PC116/PTC-400-hoz
66938	E850 Vágógörgő (Fémcsőhöz)
66943	E855 Vágógörgő (Műanyag csőhöz)
64898	Vágógörgő-csapágy

Az e számszámokhoz elérhető RIDGID felszerelések komplett listájáért lásd a Ridge Tool katalógust az interneten, a RIDGID.com címen, ill. a *Kapcsolattartási információk* c. részt.

Ártalmatlanítás

Az eszközök egyes részei értékes anyagokat tartalmaznak, és újrahasznosíthatók. Az Ön lakóhelyén az újrahasznosítással erre szakosodott szervezetek foglalkoznak. Az alkatrészeket a helyi előírásoknak megfelelően ártalmatlanítsa. További információkért lépjen kapcsolatba a helyi hulladékkezelési szervvel.



Az EK országaiban: Az elektromos berendezéseket ne dobja ki a háztartási hulladékkal együtt!

Az elektromos és elektronikus berendezések hulladékairól szóló 2012/19/EU irányelv (illetve annak a helyi törvényekben megvalósított előírásai) szerint a már nem használható elektronikus hulladékokat külön kell összegyűjteni, és a környezetvédelmi előírásoknak megfelelően kell elhelyezni azokat.

Κόφτης σωλήνων

Ηλεκτρικός κόφτης σωλήνων PC116/PTC-400



⚠️ ΠΡΟΕΙΔΟΠΟΙΗΣΗ!

Διαβάστε προσεκτικά το παρόν εγχειρίδιο χειρισμού πριν χρησιμοποιήσετε αυτό το εργαλείο. Αν δεν κατανοήσετε και δεν τηρήσετε τις οδηγίες που περιλαμβάνονται σε αυτό το εγχειρίδιο, μπορεί να προκληθεί ηλεκτροπληξία, πυρκαγιά και/ή σοβαρός τραυματισμός.

Ηλεκτρικός κόφτης σωλήνων PC116/PTC-400

Καταγράψτε τον αριθμό σειράς παρακάτω και φυλάξτε τον αριθμό σειράς του προϊόντος που βρίσκεται στην ετικέτα αναγνώρισης.

Αρ.
σειράς

--

Πίνακας περιεχομένων

Φόρμα καταγραφής αριθμού σειράς του μηχανήματος.....	261
Σύμβολα ασφαλείας.....	263
Γενικές προειδοποιήσεις ασφαλείας ηλεκτρικού εργαλείου.....	263
Ασφάλεια χώρου εργασίας.....	263
Ηλεκτρική ασφάλεια.....	264
Προσωπική ασφάλεια.....	264
Χρήση και φροντίδα του ηλεκτρικού εργαλείου.....	264
Σέρβις.....	265
Ειδικές πληροφορίες για την ασφάλεια.....	265
Πληροφορίες επικοινωνίας της RIDGID.....	266
Περιγραφή.....	266
Τεχνικά χαρακτηριστικά.....	266
Στάνταρ εξοπλισμός.....	267
Συναρμολόγηση.....	267
Τοποθέτηση σε πάγκο.....	267
Επιθεώρηση πριν τη λειτουργία.....	267
Προετοιμασία μηχανήματος και χώρου εργασίας.....	268
Βάση PC116TS/Ρύθμιση.....	269
Οδηγίες λειτουργίας.....	270
Ρύθμιση του κόφτη για σωλήνες διαφορετικής διαμέτρου.....	270
Επιλογή/αλλαγή ταχύτητας λειτουργίας.....	271
Κοπή σωλήνων.....	271
Ξύσιμο Σωλήνα.....	272
Μεταφορά.....	273
Φύλαξη.....	273
Οδηγίες συντήρησης.....	273
Καθαρισμός.....	274
Λίπανση.....	274
Αλλαγή του μαχαιριού κόφτη.....	274
Προστασία μοτέρ από υπερένταση.....	274
Αλλαγή στις ψήκτρες του μοτέρ.....	274
Επίλυση προβλημάτων.....	276
Σέρβις και επισκευή.....	276
Προαιρετικός εξοπλισμός.....	276
Απόρριψη.....	277
Δήλωση συμμόρφωσης ΕΚ.....	Εσωτερικό οπισθόφυλλο
Εγγύηση εφ' όρου ζωής.....	Οπισθόφυλλο

* Μετάφραση του πρωτοτύπου των οδηγιών χρήσης

Σύμβολα ασφαλείας

Στο παρόν εγχειρίδιο χειρισμού και πάνω στο προϊόν χρησιμοποιούνται σύμβολα και προειδοποιητικές ενδείξεις που επισημαίνουν σημαντικές πληροφορίες για την ασφάλεια. Οι προειδοποιητικές αυτές ενδείξεις και τα σύμβολα επεξηγούνται σε αυτή την ενότητα.



Αυτό είναι το σύμβολο προειδοποίησης για θέματα ασφαλείας. Χρησιμοποιείται για να επιστήσει την προσοχή σας σε πιθανούς κινδύνους τραυματισμού. Τηρείτε πιστά όλα τα μηνύματα ασφαλείας που ακολουθούν αυτό το σύμβολο για να αποφύγετε πιθανό τραυματισμό ή θάνατο.

⚠ ΚΙΝΔΥΝΟΣ

Η ένδειξη ΚΙΝΔΥΝΟΣ επισημαίνει μια επικίνδυνη κατάσταση, η οποία, εάν δεν αποφευχθεί, θα οδηγήσει σε θάνατο ή σοβαρό τραυματισμό.

⚠ ΠΡΟΕΙΔΟΠΟΙΗΣΗ

Η ένδειξη ΠΡΟΕΙΔΟΠΟΙΗΣΗ επισημαίνει μια επικίνδυνη κατάσταση, η οποία, αν δεν αποφευχθεί, θα μπορούσε να οδηγήσει σε θάνατο ή σοβαρό τραυματισμό.

⚠ ΠΡΟΣΟΧΗ

Η ένδειξη ΠΡΟΣΟΧΗ επισημαίνει μια επικίνδυνη κατάσταση, η οποία, αν δεν αποφευχθεί, θα μπορούσε να οδηγήσει σε μικρής ή μέτριας σοβαρότητας τραυματισμό.

ΕΠΙΣΗΜΑΝΣΗ

Η ένδειξη ΕΠΙΣΗΜΑΝΣΗ δηλώνει πληροφορίες που σχετίζονται με την προστασία περιουσιακών αγαθών.



Αυτό το σύμβολο σημαίνει ότι θα πρέπει να διαβάσετε προσεκτικά το εγχειρίδιο χειριστή προτού χρησιμοποιήσετε τον εξοπλισμό. Το εγχειρίδιο χειριστή περιλαμβάνει σημαντικές πληροφορίες για την ασφαλή και σωστή λειτουργία του εξοπλισμού.



Αυτό το σύμβολο σημαίνει ότι θα πρέπει να φοράτε πάντα γυαλιά ασφαλείας με πλαϊνή θωράκιση ή γυαλιά προσώπιδες όταν χειρίζεστε ή χρησιμοποιείτε αυτό τον εξοπλισμό ώστε να μειώνεται ο κίνδυνος τραυματισμού των οφθαλμών.



Αυτό το σύμβολο επισημαίνει τον κίνδυνο ηλεκτροπληξίας.



Αυτό το σύμβολο επισημαίνει τον κίνδυνο εμπλοκής ή εισόδου χεριών, δακτύλων ή άλλων μερών του σώματος στα ράουλα ή άλλα κινούμενα εξαρτήματα.



Αυτό το σύμβολο επισημαίνει κίνδυνο κοψίματος από περιστρεφόμενα ή κινούμενα εξαρτήματα για τα χέρια, τα δάκτυλα ή άλλα μέρη του σώματος.



Αυτό το σύμβολο υποδεικνύει κίνδυνο ανατροπής του μηχανήματος, που μπορεί να προκαλέσει τραυματισμό από χτύπημα ή σύνθλιψη.



Το σύμβολο αυτό υποδεικνύει να μην φοράτε γάντια όταν χρησιμοποιείτε αυτό το μηχάνημα, ώστε να μειωθεί ο κίνδυνος να μπλεχτούν τα χέρια σας στα εξαρτήματα του μηχανήματος.

Γενικές προειδοποιήσεις ασφαλείας ηλεκτρικού εργαλείου*

⚠ ΠΡΟΕΙΔΟΠΟΙΗΣΗ

Διαβάστε όλες τις προειδοποιήσεις ασφαλείας, τις οδηγίες, τις εικόνες και τα τεχνικά χαρακτηριστικά που παρέχονται με αυτό το ηλεκτρικό εργαλείο. Αν δεν τηρηθούν όλες οι οδηγίες που αναγράφονται παρακάτω μπορεί να προκληθεί ηλεκτροπληξία, πυρκαγιά ή/και σοβαρός τραυματισμός.

ΦΥΛΑΞΤΕ ΟΛΕΣ ΤΙΣ ΠΡΟΕΙΔΟΠΟΙΗΣΕΙΣ ΚΑΙ ΤΙΣ ΟΔΗΓΙΕΣ ΩΣΤΕ ΝΑ ΑΝΑΤΡΕΞΕΤΕ ΣΕ ΑΥΤΕΣ ΣΤΟ ΜΕΛΛΟΝ!

Ο όρος «ηλεκτρικό εργαλείο» που περιέχεται στις προειδοποιήσεις αναφέρεται σε ηλεκτρικά εργαλεία με τροφοδοσία ρεύματος (με καλώδιο) και σε ηλεκτρικά εργαλεία με τροφοδοσία μπαταρίας (χωρίς καλώδιο).

Ασφάλεια χώρου εργασίας

- Διατηρείτε την περιοχή εργασίας καθαρή και με καλό φωτισμό. Αν ο χώρος εργασίας δεν είναι τακτοποιημένος ή έχει κακό φωτισμό, μπορεί να προκληθεί ατύχημα.
- Μη θέτετε σε λειτουργία ηλεκτρικά εργαλεία σε περιβάλλον με κίνδυνο έκρηξης, όπως σε μέρη που υπάρχουν εύφλεκτα υγρά, αέρια ή σκόνη. Τα ηλεκτρικά εργαλεία δημιουργούν σπινθήρες που μπορεί να αναφλέξουν τη σκόνη ή τις αναθυμιάσεις.
- Κρατάτε τα παιδιά και τους μη μετέχοντες στην εργασία σας σε απόσταση ενώ χειρίζεστε κάποιο ηλεκτρικό εργαλείο. Αν αποσπαστεί η προσοχή σας, μπορεί να χάσετε τον έλεγχο.

* Το κείμενο που χρησιμοποιείται στην ενότητα των γενικών προειδοποιήσεων ασφαλείας ηλεκτρικού εργαλείου του παρόντος εγχειριδίου έχει μεταφερθεί κατά λέξη, όπως απαιτείται, από το ισχύον πρότυπο UL/CSA/EN 62841-1. Η ενότητα αυτή περιλαμβάνει γενικούς κανόνες ασφαλείας για πολλούς διαφορετικούς τύπους ηλεκτρικών εργαλείων. Δεν ισχύουν όλες οι προφυλάξεις για όλα τα εργαλεία και ορισμένες δεν ισχύουν για το συγκεκριμένο εργαλείο.

Ηλεκτρική ασφάλεια

- Τα βύσματα σύνδεσης των ηλεκτρικών εργαλείων πρέπει να ταιριάζουν με την αντίστοιχη πρίζα παροχής. Μη διενεργείτε ποτέ και με κανένα τρόπο τροποποιήσεις στο βύσμα. Μη χρησιμοποιείτε προσαρμογείς στα βύσματα των γειωμένων ηλεκτρικών εργαλείων. Τα μη τροποποιημένα βύσματα και η σύνδεσή τους στις σωστές πρίζες παροχής μειώνουν τον κίνδυνο ηλεκτροπληξίας.
- Αποφύγετε οποιαδήποτε σωματική επαφή με γειωμένες επιφάνειες, όπως σωλήνες, καλοριφέρ, ηλεκτρικές κουζίνες και ψυγεία. Αν το σώμα σας είναι γειωμένο, υπάρχει μεγαλύτερος κίνδυνος ηλεκτροπληξίας.
- Μην εκθέτετε τα ηλεκτρικά εργαλεία σε βροχή ή υγρασία. Ενδεχόμενη διείσδυση νερού σε ένα ηλεκτρικό εργαλείο θα αυξήσει τον κίνδυνο ηλεκτροπληξίας.
- Μην κακομεταχειρίζεστε το καλώδιο. Μη χρησιμοποιείτε ποτέ το καλώδιο για τη μεταφορά, την έλξη ή την αποσύνδεση από την πρίζα του ηλεκτρικού εργαλείου. Κρατήστε το καλώδιο μακριά από θερμότητα, λάδια, αιχμηρές γωνίες ή κινούμενα μέρη του εργαλείου. Τα κατεστραμμένα ή μπερδεμένα καλώδια αυξάνουν τον κίνδυνο ηλεκτροπληξίας.
- Κατά τη χρήση του ηλεκτρικού εργαλείου σε εξωτερικό χώρο, χρησιμοποιήστε προέκταση καλωδίου κατάλληλη για την εν λόγω χρήση. Η χρήση καλωδίου κατάλληλου για εξωτερικούς χώρους μειώνει τον κίνδυνο ηλεκτροπληξίας.
- Εάν είναι αναπόφευκτη η χρήση ηλεκτρικού εργαλείου σε περιβάλλον με υγρασία, χρησιμοποιήστε παροχή που προστατεύεται με διακόπτη κυκλώματος βλάβης γείωσης (GFCI). Η χρήση διάταξης GFCI μειώνει τον κίνδυνο ηλεκτροπληξίας.

Προσωπική ασφάλεια

- Να είστε σε ετοιμότητα και εγρήγορη, συγκεντρωμένοι και προσεκτικοί με τις ενέργειές σας και να λειτουργείτε με γνώμονα την κοινή λογική κατά τη χρήση οποιοδήποτε ηλεκτρικού εργαλείου. Μη χρησιμοποιείτε ηλεκτρικά εργαλεία όταν είστε κουρασμένοι ή ενώ βρίσκεστε υπό την επήρεια ναρκωτικών ουσιών, αλκοόλ ή φαρμάκων. Μια στιγμή απροσεξίας ενώ χειρίζεστε κάποιο ηλεκτρικό εργαλείο, μπορεί να προκαλέσει σοβαρό τραυματισμό.
- Χρησιμοποιείτε ατομικό προστατευτικό εξοπλισμό. Να φοράτε πάντα προστατευτικά των ματιών. Ο εξοπλισμός προστασίας που χρησιμοποιείται σε τέτοιου είδους περιπτώσεις, όπως η μάσκα προστασίας από τη σκόνη, τα ειδικά υποδήματα ασφαλείας με αντιολισθητικές σόλες, το κράνος ή η προστασία ακοής, περιορίζει τον κίνδυνο σωματικών βλαβών.

- Αποτρέψτε τυχόν μη σκόπιμη εκκίνηση του εργαλείου. Βεβαιωθείτε ότι ο διακόπτης βρίσκεται στη θέση OFF (απενεργοποίηση) πριν συνδέσετε το εργαλείο στην παροχή ρεύματος ή/και στην μπαταρία, πριν σηκώσετε ή μεταφέρετε το εργαλείο. Η μεταφορά ηλεκτρικών εργαλείων με το δάκτυλο στον διακόπτη ή η σύνδεση των ηλεκτρικών εργαλείων στην πρίζα ενώ ο διακόπτης είναι ανοικτός (βρίσκεται στη θέση ON) ενέχουν τον κίνδυνο πρόκλησης ατυχημάτων.
- Αφαιρέστε τα κλειδιά ρύθμισης πριν θέσετε το ηλεκτρικό εργαλείο στη θέση ON (ενεργοποίηση). Εάν κάποιο κλειδί παραμείνει προσαρτημένο σε περιστρεφόμενο μέρος του ηλεκτρικού εργαλείου, μπορεί να προκληθεί τραυματισμός.
- Μην τεντώνετε περισσότερο από όσο χρειάζεται. Διατηρείτε πάντοτε σωστή, σταθερή στάση και ισορροπία. Έτσι, ελέγχετε καλύτερα το ηλεκτρικό εργαλείο αν προκύψει κάτι απροσδόκητο.
- Φορέστε κατάλληλη ενδυμασία. Μη φοράτε φαρδιά ενδύματα ή κοσμήματα. Κρατάτε τα μαλλιά και τα ρούχα σας μακριά από τα κινούμενα μέρη. Τα φαρδιά ρούχα, τα κοσμήματα ή τα μακριά μαλλιά μπορεί να παγιδευτούν σε κινούμενα μέρη.
- Εάν παρέχονται διατάξεις για τη σύνδεση συσκευών εξαγωγής και συλλογής της σκόνης, βεβαιωθείτε ότι είναι συνδεδεμένες και ότι χρησιμοποιούνται σωστά. Η χρήση μεθόδων συλλογής σκόνης μπορεί να μειώσει τους σχετικούς κινδύνους.
- Μην αφήσετε την εξοικείωση που αποκτήσατε από τη συχνή χρήση των εργαλείων να σας εφησυχάσει και να αγνοήσετε τις αρχές ασφαλείας που ισχύουν για τα εργαλεία. Μια απρόσεκτη ενέργεια μπορεί να προκαλέσει σοβαρό τραυματισμό σε κλάσματα του δευτερολέπτου.

Χρήση και φροντίδα του ηλεκτρικού εργαλείου

- Μη ζορίζετε το ηλεκτρικό εργαλείο. Χρησιμοποιείτε το σωστό ηλεκτρικό εργαλείο για την εκάστοτε εφαρμογή. Με το σωστό ηλεκτρικό εργαλείο μπορείτε να εκτελέσετε καλύτερα και ασφαλέστερα την εργασία σας, σύμφωνα με τις προδιαγραφές για τις οποίες σχεδιάστηκε.
- Μη χρησιμοποιείτε το ηλεκτρικό εργαλείο αν δεν ανάβει και σβήνει από τον διακόπτη. Κάθε ηλεκτρικό εργαλείο που δεν ελέγχεται με τον διακόπτη είναι επικίνδυνο και πρέπει να επισκευαστεί.
- Αποσυνδέστε το φως από την πηγή ρεύματος και/ή την μπαταρία από το ηλεκτρικό εργαλείο, αν αυτή μπορεί να αφαιρεθεί, προτού διενεργήσετε τυχόν ρυθμίσεις,

αλλάξετε εξαρτήματα ή αποθηκεύσετε ηλεκτρικά εργαλεία. Τα εν λόγω προληπτικά μέτρα ασφαλείας μειώνουν τον κίνδυνο να τεθεί κατά λάθος σε λειτουργία το ηλεκτρικό εργαλείο.

- Φυλάξτε τα μη χρησιμοποιούμενα ηλεκτρικά εργαλεία μακριά από παιδιά και μην αφήνετε να χειριστούν το ηλεκτρικό εργαλείο άτομα που δεν είναι εξοικειωμένα με αυτό ή με τις παρούσες οδηγίες χειρισμού του. Τα ηλεκτρικά εργαλεία είναι επικίνδυνα σε χέρια ανειδίκευτων ατόμων.
- Πραγματοποιείτε συντήρηση των ηλεκτρικών εργαλείων. Ελέγξτε για τυχόν μη ευθυγράμμιση ή μπλοκάρισμα των κινούμενων μερών, για φθορές στα εξαρτήματα και κάθε άλλη κατάσταση η οποία ενδέχεται να επηρεάσει τη λειτουργία του ηλεκτρικού εργαλείου. Αν υπάρχουν ζημιές, παραδώστε το ηλεκτρικό εργαλείο για επισκευή πριν από οποιαδήποτε χρήση του. Πολλά ατυχήματα προκαλούνται από κακή συντήρηση των ηλεκτρικών εργαλείων.
- Διατηρείτε τα εργαλεία κοπής αιχμηρά και καθαρά. Η σωστή συντήρηση των εργαλείων κοπής με αιχμηρές κοπτικές ακμές ελαχιστοποιούν τον κίνδυνο εμπλοκής τους και καθιστούν τον έλεγχό τους ευκολότερο.
- Χρησιμοποιείτε το ηλεκτρικό εργαλείο, τα βοηθητικά εξαρτήματα και τα μέρη του εργαλείου κλπ., σύμφωνα με τις παρούσες οδηγίες, λαμβάνοντας υπόψη τις συνθήκες εργασίας και την προς εκτέλεση εργασία. Η χρήση του ηλεκτρικού εργαλείου για εργασίες διαφορετικές από αυτές για τις οποίες προορίζεται μπορεί να δημιουργήσει επικίνδυνες καταστάσεις.
- Διατηρείτε τις λαβές και τις επιφάνειες λαβής καθαρές και απαλλαγμένες από λάδια και γράσα. Οι ολισθηρές λαβές και επιφάνειες λαβής δεν επιτρέπουν τον ασφαλή χειρισμό και έλεγχο του εργαλείου σε μη αναμενόμενες καταστάσεις.

Σέρβις

- Παραδώστε το ηλεκτρικό εργαλείο για εργασίες σέρβις σε κάποιον πιστοποιημένο αντιπρόσωπο σέρβις ο οποίος χρησιμοποιεί μόνο πανομοιότυπα ανταλλακτικά. Έτσι, θα διασφαλιστεί η τήρηση της ασφάλειας του ηλεκτρικού εργαλείου.

Ειδικές πληροφορίες για την ασφάλεια

⚠ ΠΡΟΕΙΔΟΠΟΙΗΣΗ

Η παρούσα ενότητα περιλαμβάνει σημαντικές πληροφορίες ασφαλείας που αφορούν ειδικά το συγκεκριμένο εργαλείο.

Διαβάστε προσεκτικά αυτές τις προφυλάξεις πριν χρησιμοποιήσετε τον ηλεκτρικό κόφτη σωλήνων PC116/PTC-400, προκειμένου να περιορίσετε τον κίνδυνο ηλεκτροπληξίας ή άλλου σοβαρού τραυματισμού.

ΦΥΛΑΞΤΕ ΟΛΕΣ ΤΙΣ ΠΡΟΕΙΔΟΠΟΙΗΣΕΙΣ ΚΑΙ ΤΙΣ ΟΔΗΓΙΕΣ ΩΣΤΕ ΝΑ ΑΝΑΤΡΕΞΕΤΕ ΣΕ ΑΥΤΕΣ ΣΤΟ ΜΕΛΛΟΝ!

Το εγχειρίδιο αυτό πρέπει να βρίσκεται μαζί με το μηχάνημα, για χρήση από τον χειριστή.

- Μη φοράτε γάντια ή φαρδιά ρούχα όταν χειρίζεστε τον ηλεκτρικό κόφτη σωλήνων. Τα μανίκια και το μπουφάν σας πρέπει να είναι κουμπωμένα. Μην τεντώνετε τα χέρια σας πάνω από το μηχάνημα. Μπορεί να πιαστούν και να μπλεχτούν τα ρούχα σας στο μηχάνημα.
- Μην πλησιάζετε τα χέρια σας σε περιστρεφόμενα μέρη, όπως τα ράουλα, την ξύστρα, το μαχαίρι και τον σωλήνα. Αφήστε τα εξαρτήματα να σταματήσουν τελείως πριν χειριστείτε το εργαλείο ή τον σωλήνα. Με τον τρόπο αυτό θα μειώσετε την πιθανότητα παγίδευσης στα περιστρεφόμενα μέρη.
- Στερεώστε το μηχάνημα σε σταθερό πάγκο ή βάση. Στηρίξτε σωστά τους σωλήνες. Με τον τρόπο αυτό θα μειώσετε τον κίνδυνο τραυματισμών από χτυπήματα και σύνθλιψη λόγω ανατροπής ή πτώσης του σωλήνα και του εξοπλισμού.
- Μην κόβετε σωλήνες που φαίνονται λυγισμένοι ή σωλήνες με πρόσθετα εξαρτήματα. Με τον τρόπο αυτό θα μειώσετε τον κίνδυνο υπερβολικών δονήσεων και απώλειας ελέγχου του μηχανήματος και/ή των σωλήνων.
- Φοράτε πάντα την κατάλληλη προστασία για τα μάτια και τα κατάλληλα μέσα ατομικής προστασίας. Τα εργαλεία κοπής μπορεί να σπάσουν ή να θρυμματιστούν. Με τον τρόπο αυτό θα μειωθεί ο κίνδυνος τραυματισμού.
- Η διαδικασία της εργασίας και ο ποδοδιακόπτης πρέπει να ελέγχονται από ένα μόνο άτομο. Όταν το μηχάνημα είναι σε λειτουργία, στην περιοχή εργασίας πρέπει να βρίσκεται μόνο ο χειριστής. Με αυτόν τον τρόπο μειώνεται ο κίνδυνος τραυματισμού.
- Πριν από τη χρήση του εργαλείου, διαβάστε και κατανοήστε αυτές τις οδηγίες, καθώς και τις οδηγίες και τις προειδοποιήσεις για όλον τον εξοπλισμό και τα υλικά που χρησιμοποιούνται, ώστε να μειωθεί ο κίνδυνος σοβαρού τραυματισμού.

Πληροφορίες επικοινωνίας της RIDGID

Εάν έχετε οποιαδήποτε απορία σχετικά με το παρόν προϊόν RIDGID®:

- Επικοινωνήστε με τον διανομέα RIDGID® της περιοχής σας.
- Επισκεφθείτε τη διεύθυνση RIDGID.com για να βρείτε το πλησιέστερο σημείο επικοινωνίας της RIDGID στην περιοχή σας.
- Επικοινωνήστε με το Τμήμα Σέρβις της Ridge Tool στην ηλεκτρονική διεύθυνση rtctechservices@emerson.com, ή για ΗΠΑ και Καναδά καλέστε στο (800) 519-3456.

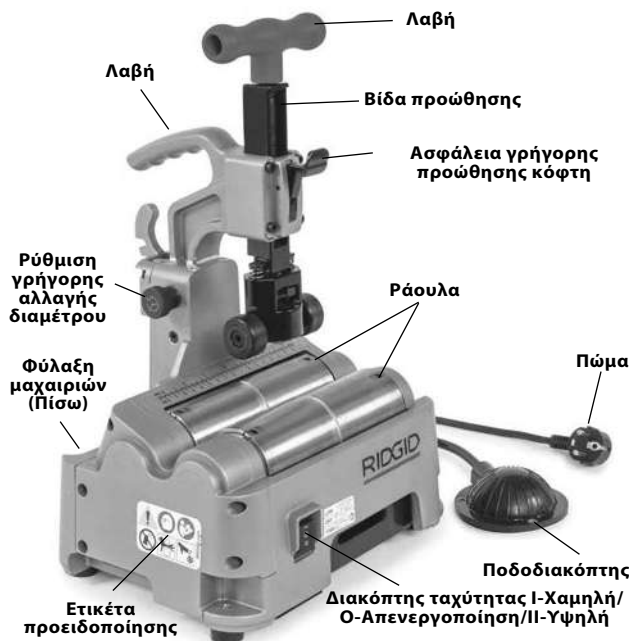
Περιγραφή

Ο ηλεκτρικός κόφτης σωλήνων PC116/PTC-400 της RIDGID® έχει σχεδιαστεί για την κοπή μεταλλικών και πλαστικών σωλήνων/αγωγών ονομαστικής διαμέτρου 1/2" έως 4" (12 έως 100 mm).

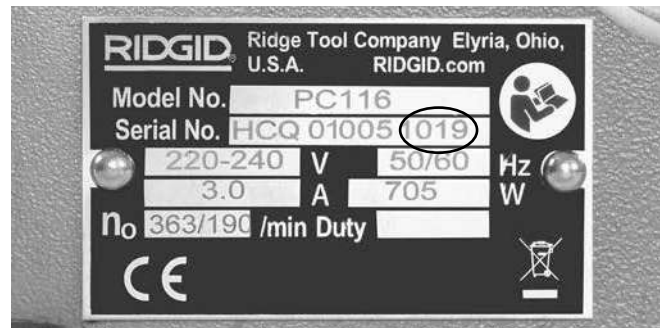
Η ταχύτητα των ράουλων ρυθμίζεται από έναν διακόπτη δύο ταχυτήτων και ο έλεγχος ενεργοποίησης/απενεργοποίησης του μοτέρ από έναν ποδοδιακόπτη αέρα. Περιλαμβάνεται μια κλίμακα για τη μέτρηση του σωλήνα. Ο ηλεκτρικός κόφτης σωλήνων είναι ελαφρύς και μικρών διαστάσεων για ευκολία στη μεταφορά.

Παρέχεται προαιρετικά μια ξύστρα για να αφαιρούνται τα γρέζια από το εσωτερικό των σωλήνων σε βάθος έως και 2" (50 mm).

Ο κόφτης σωλήνων δεν είναι σχεδιασμένος για χρήση με σωληνώσεις.



Εικόνα 1 – Ηλεκτρικός κόφτης σωλήνων PC116/PTC-400 της RIDGID®



Εικόνα 2 – Αριθμός σειράς μηχανήματος

Ο αριθμός σειράς του μηχανήματος βρίσκεται πλευρικά στον κόφτη. Τα 4 τελευταία ψηφία δείχνουν τον μήνα και το έτος κατασκευής. (10 = μήνας, 19 = έτος).

Τεχνικά χαρακτηριστικά

Ονομαστική δυνατότητα κοπής σωλήνα διαμέτρου 1/2" έως 4" (12 mm έως 100 mm)

Πραγματική δυνατότητα κοπής..... 1/2" έως 4,5" (12 mm έως 116 mm)

Υλικό σωλήνα/αγωγού*	Μέγιστο πάχος τοιχώματος	Μαχαίρι κόφτη	
		E-850 Αρ. #66938	E-855 Αρ. #66943
Ανθρακοχάλυβας	0.1" (2,5 mm)	X	
Ανοξειδωτο ασάλι	0.1" (2,5 mm)	X	
Αλουμίνιο	0.1" (2,5 mm)	X	
Χαλκός	0.1" (2,5 mm)		X
Πλαστικό	0.23" (6 mm)		X

* Γενική οδηγία μόνο. Η σύνθεση του υλικού, η σκληρότητα και άλλοι παράγοντες επηρεάζουν την ικανότητα κοπής, τη διάρκεια ζωής του μαχαιριού, την παραγωγή γρεζιών κλπ.

Ονομαστική δυνατότητα
ξυσίματος..... 1/2" έως 2" (12 mm έως 50 mm)
(προαιρετικό εξάρτημα)

Μέγ. μήκος σωλήνα..... 20' (6m)

Μοτέρ

Τύπος.....	Universal	
Τάση.....	100-120V	220-240V
Ένταση.....	5,8A	3,0A
Συχνότητα.....	50/60 Hz	50/60 Hz
Ισχύς.....	705W	705W

Για πληροφορίες σχετικές με τις μονάδες, ανατρέξτε στην πινακίδα αριθμού σειράς που βρίσκεται πάνω στο προϊόν.

Περιστροφική ταχύτητα
ράουλων 190/363 σ.α.λ. για 220-240V,
225/385 σ.α.λ. για 100-120V

Χειριστήρια..... Διακόπτης ταχύτητας I-Χαμη-
λή/O-Απενεργοποίηση/II-Υψηλή
και ποδοδιακόπτης ενεργοποίη-
σης/ απενεργοποίησης

Βάρος..... 32 lbs. (14,5 kg)

Συνολικές διαστάσεις
Μ x Π x Υ..... 11.6" x 9.4" x 15.9"
(295 mm x 239 mm x 403 mm)

Θερμοκρασία λειτουργίας..... -4° F έως 122° F (-20°C έως 50°C)

Ηχητική πίεση (L_{PA})* 82,3 dB(A), K=3

Ηχητική ισχύς (L_{WA})* 93,3 dB(A), K=3

* Οι μετρήσεις ήχου γίνονται σύμφωνα με ένα τυποποιημένο τεστ βάσει του Προτύπου EN 62481-1.

- Οι εκπομπές ήχου ενδέχεται να διαφέρουν λόγω της τοποθεσίας που βρίσκεστε και της ειδικής χρήσης των εργαλείων.
- Για κάθε εφαρμογή πρέπει να αξιολογούνται τα καθημερινά επίπεδα έκθεσης στον ήχο και να λαμβάνονται τα κατάλληλα μέτρα ασφαλείας όπου απαιτείται. Η εκτίμηση των επιπέδων έκθεσης πρέπει να λαμβάνει υπόψη τον χρόνο που ένα εργαλείο είναι απενεργοποιημένο και δεν χρησιμοποιείται. Με τον τρόπο αυτό μπορεί να μειωθούν σημαντικά τα επίπεδα έκθεσης στη συνολική διάρκεια της εργασίας.

Στάνταρ εξοπλισμός

Ανατρέξτε στον κατάλογο της RIDGID για λεπτομερή στοιχεία σχετικά με τον εξοπλισμό που συνοδεύεται από αριθμούς καταλόγου για το συγκεκριμένο μηχάνημα.

ΕΠΙΣΗΜΑΝΣΗ Ο σχεδιαστής του συστήματος και/ή ο επιβλέπων την εγκατάσταση είναι υπεύθυνοι να επιλέξουν τα κατάλληλα υλικά και την κατάλληλη τεχνική εγκατάστασης, καθώς και τις μεθόδους συναρμογής και διαμόρφωσης. Αν επιλεγθούν ακατάλληλα υλικά ή ακατάλληλες μέθοδοι, μπορεί να προκληθεί βλάβη του συστήματος.

Τα εξαρτήματα από ανοξείδωτο ατσάλι ή από άλλα υλικά ανθεκτικά στη διάβρωση μπορεί να μολυνθούν κατά την εγκατάσταση, τη συναρμογή και τη διαμόρφωση του συστήματος. Η μόλυνση αυτή μπορεί να προκαλέσει διάβρωση και πρόωρη αστοχία. Πριν προχωρήσετε στην εγκατάσταση, θα

πρέπει να έχουν αξιολογηθεί προσεκτικά όλα τα υλικά και οι μέθοδοι για τις συνθήκες της συγκεκριμένης εφαρμογής, όπως όλες οι χημικές παράμετροι και οι παράμετροι που αφορούν τη θερμοκρασία.

Για να μειώσετε τον κίνδυνο να μολυνθεί το ανοξείδωτο ατσάλι με σίδηρο, βεβαιωθείτε ότι τα ράουλα είναι καθαρά και απαλλαγμένα από κατάλοιπα. Καθαρίστε τα σχολαστικά με μια βούρτσα από ανοξείδωτο ατσάλι. Αλλάξτε το μαχαίρι κόφτη και την ξύστρα πριν τα χρησιμοποιήσετε με υλικό από ανοξείδωτο ατσάλι. Η καλύτερη πρακτική είναι να έχετε έναν κόφτη αποκλειστικά για ανοξείδωτο ατσάλι.

Συναρμολόγηση

⚠ ΠΡΟΕΙΔΟΠΟΙΗΣΗ

Για να μειωθεί ο κίνδυνος σοβαρού τραυματισμού κατά τη χρήση, ακολουθήστε αυτές τις διαδικασίες για τη σωστή συναρμολόγηση. Πριν από τη συναρμολόγηση, ο διακόπτης πρέπει να βρίσκεται στη θέση απενεργοποίησης και το μηχάνημα να έχει βγει από την πρίζα.

Τοποθέτηση σε πάγκο

Το μηχάνημα μπορεί να τοποθετηθεί σε έναν επίπεδο, σταθερό πάγκο. Για να τοποθετήσετε τη μονάδα σε πάγκο, ξεβιδώστε τα λαστιχένια πόδια στις τέσσερις γωνίες της βάσης του μηχανήματος (βλ. εικόνα 16), και χρησιμοποιήστε κοχλίες M8 για να στερεώσετε το μηχάνημα στον πάγκο. Σφίξτε καλά.

Επιθεώρηση πριν τη λειτουργία

⚠ ΠΡΟΕΙΔΟΠΟΙΗΣΗ



Πριν από κάθε χρήση, ελέγξτε τον ηλεκτρικό κόφτη σωλήνων και διορθώστε τυχόν προβλήματα, ώστε να μειωθεί ο κίνδυνος σοβαρού τραυματισμού από ηλεκτροπληξία, παγίδευση, σύνθλιψη και άλλα αίτια, και να προληφθεί τυχόν βλάβη του μηχανήματος.

1. Βεβαιωθείτε ότι ο ηλεκτρικός κόφτης σωλήνων δεν είναι στην πρίζα.
2. Καθαρίστε το μηχάνημα και τον εξοπλισμό, μαζί με τις λαβές και τα χειριστήρια. Έτσι διευκολύνεται ο έλεγχος και μειώνεται η πιθανότητα να σας γλιστρήσει το μηχάνημα ή κάποιο χειριστήριο. Καθαρίζετε και συντηρείτε το μηχάνημα σύμφωνα με τις οδηγίες συντήρησης.
3. Επιθεωρήστε τον ηλεκτρικό κόφτη σωλήνων στα εξής:
 - Επιθεωρήστε το καλώδιο και το βύσμα για ζημιές ή τροποποιήσεις.
 - Σωστή συναρμολόγηση, συντήρηση και πληρότητα.

- Εξαρτήματα που είναι σπασμένα, φθαρμένα, λείπουν, δεν είναι ευθυγραμμισμένα ή δεν κινούνται ελεύθερα, ή άλλη ζημιά.
- Ύπαρξη και λειτουργία του ποδοδιακόπτη. Βεβαιωθείτε ότι ο ποδοδιακόπτης είναι συνδεδεμένος, σε καλή κατάσταση και ότι λειτουργεί ομαλά και χωρίς να κολλάει.
- Ελεύθερη κίνηση της βίδας προώθησης, του μαχαιριού κόφτη και των ράουλων στήριξης.
- Ύπαρξη και καλή κατάσταση των ετικετών προειδοποίησης και των άλλων ετικετών (βλ. εικόνα 1).
- Ελέγξτε τις ακμές κοπής του μαχαιριού κόφτη και της ξύστρας για τυχόν φθορά, παραμόρφωση, σπασίματα ή άλλα προβλήματα. Όταν οι κόφτες είναι στομωμένοι, φθαρμένοι ή χαλαροί μπορεί να προκληθεί βλάβη στο εργαλείο, να παραχθεί κοπή κακής ποιότητας και να αυξηθεί ο κίνδυνος τραυματισμού.
- Αν χρησιμοποιήσετε τη βάση(-εις) PC116TS, εκτελέστε τις απαραίτητες ενέργειες καθαρισμού, ελέγχου και λίπανσης.
- Κάθε κατάσταση που μπορεί να εμποδίσει την ασφαλή και κανονική λειτουργία του μηχανήματος.

Σε περίπτωση που εντοπίσετε προβλήματα, μη χρησιμοποιήσετε το εργαλείο αν το πρόβλημα δεν αποκατασταθεί.

4. Ελέγχετε και συντηρείτε τυχόν άλλα εξαρτήματα που χρησιμοποιείτε σύμφωνα με τις αντίστοιχες οδηγίες, προκειμένου να διασφαλίσετε τη σωστή τους λειτουργία.

Προετοιμασία μηχανήματος και χώρου εργασίας

⚠ ΠΡΟΕΙΔΟΠΟΙΗΣΗ



Προετοιμάστε τον ηλεκτρικό κόφτη σωλήνων και την περιοχή εργασίας με βάση αυτές τις διαδικασίες,

ώστε να μειωθεί ο κίνδυνος σοβαρού τραυματισμού από ηλεκτροπληξία, παγίδευση, σύνθλιψη και άλλα αίτια, και να προληφθεί τυχόν βλάβη του μηχανήματος.

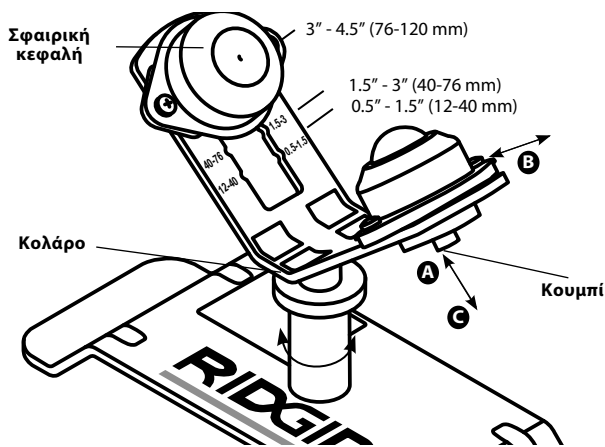
1. Ελέγξτε την περιοχή εργασίας για:
 - Επαρκή φωτισμό.
 - Εύφλεκτα υγρά, ατμούς ή σκόνη που ενδέχεται να αναφλεγούν. Αν υπάρχει κάτι από τα παραπάνω, μην εργαστείτε στον συγκεκριμένο χώρο μέχρι να εντοπιστούν οι αιτίες και αντιμετωπιστεί το πρόβλημα. Ο κόφτης δεν διαθέτει αντιακρηκτική προστασία και μπορεί να προκαλέσει σπινθήρες.

- Καθαρός, επίπεδος, σταθερός και στεγνός χώρος για όλο τον εξοπλισμό και τον χειριστή.
 - Κατάλληλα γειωμένη ηλεκτρική πρίζα με σωστή τάση. Ελέγξτε την πινακίδα αριθμού σειράς για την απαιτούμενη τάση. Οι τριπολικές πρίζες ή οι πρίζες GFCI μπορεί να μην είναι γειωμένες κατάλληλα. Εάν έχετε αμφιβολία, ζητήστε να ελέγξει την πρίζα διπλωματούχος ηλεκτρολόγος.
2. Ελέγξτε την εργασία που πρόκειται να γίνει. Καθορίστε το υλικό, τον τύπο και τη διάμετρο του σωλήνα. Προσδιορίστε τον σωστό εξοπλισμό για την εργασία. Βλ. ενότητα για τα Τεχνικά Χαρακτηριστικά.
 3. Βεβαιωθείτε ότι όλος ο εξοπλισμός που θα χρησιμοποιήσετε έχει ελεγχθεί και συναρμολογηθεί σωστά.
 4. Τοποθετήστε το μηχάνημα σε επίπεδη, ομοιόμορφη και σταθερή επιφάνεια. Βλ. «Τοποθέτηση σε πάγκο», στην ενότητα για τη Συναρμολόγηση. Βεβαιωθείτε ότι η μονάδα είναι σταθερή και ασφαλής.
 5. Αν ο σωλήνας προεξέχει περισσότερο από 6" (15 cm) από το μηχάνημα, χρησιμοποιήστε μία ή περισσότερες κατάλληλες βάσεις για να τον στηρίξετε. Τοποθετήστε τις βάσεις σε ευθεία γραμμή με τα ράουλα. Μακρύτεροι σωλήνες μπορεί να χρειάζονται περισσότερες βάσεις. Χρησιμοποιήστε μόνο βάσεις που έχουν σχεδιαστεί για τον σκοπό αυτό. Τυχόν ακατάλληλα στηρίγματα ή στήριξη του σωλήνα με το χέρι μπορεί να προκαλέσουν τραυματισμούς από ανατροπή ή παγίδευση. Μην υπερβαίνετε την ενδεδειγμένη δυνατότητα της βάσης. Όταν ο κόφτης και η βάση τοποθετούνται στο ίδιο επίπεδο, χρησιμοποιήστε τη βάση σωλήνων PC116TS της RIDGID για να στηρίξετε τον σωλήνα.

Αν δουλεύετε σε πάγκο ή άλλη ανυψωμένη επιφάνεια εργασίας μπορείτε να χρησιμοποιήσετε διάφορες βάσεις σωλήνων της RIDGID για να στηρίξετε τον σωλήνα. Αν χρησιμοποιείτε τα μηχανήματα PC116/PTC-400 στο δάπεδο, χρησιμοποιήστε τη βάση σωλήνων RIDGID PC116TS για να στηρίξετε τον σωλήνα. Βλ. Εικόνα 3.



Εικόνα 3 – Τοποθέτηση βάσης



Εικόνα 4 – Ρύθμιση βάσης PC116TS

Βάση PC116TS/Ρύθμιση

Η βάση PC116TS είναι ένα προαιρετικό εξάρτημα σχεδιασμένο για χρήση με τον κόφτη PC116/PTC-400 και δεν προβλέπεται για άλλες χρήσεις.

Για να ρυθμίσετε τις σφαιρικές κεφαλές για τη διάμετρο σωλήνα:

- α. Πατήστε το κουμπί **A**
- β. Μετακινήστε τη σφαιρική κεφαλή μέχρι τη σωστή θέση για τη διάμετρο σωλήνα (βλ. Εικόνα 4) **B**
- γ. Ελευθερώστε το κουμπί – βεβαιωθείτε για την ασφαλή θέση του **C**

Για να ρυθμίσετε το ύψος της βάσης, περιστρέψτε το κολάρο για να ανυψώσετε ή να χαμηλώσετε την κεφαλή της βάσης. Η βάση έχει σχεδιαστεί για να τοποθετείται στην ίδια επίπεδη

επιφάνεια με τον κόφτη PC116/PTC-400. Βλ. Εικόνα 3. Αν χρειάζεται, μπορείτε να χρησιμοποιήσετε κατάλληλους αποστάτες (π.χ. ένα κομμάτι ξύλο) για να ανυψώσετε τη βάση.

6. Περιορίστε την πρόσβαση ή τοποθετήστε προστατευτικά καλύμματα ή περίφραξη για να δημιουργήσετε κενό χώρο τουλάχιστον 3 ποδιών (1 m) γύρω από το μηχάνημα και τον σωλήνα. Με τον τρόπο αυτό τα άτομα που δεν είναι χειριστές του μηχανήματος δεν θα μπορούν να έρθουν σε επαφή με το μηχάνημα ή τον σωλήνα και θα μειωθεί ο κίνδυνος ανατροπής ή παγίδευσης.
7. Τοποθετήστε τον ποδοδιακόπτη όπως φαίνεται στην Εικόνα 8 για σωστή θέση λειτουργίας.
8. Με τον διακόπτη στη θέση Ο-Απενεργοποίηση, περάστε το καλώδιο από ελεύθερη δίοδο. Με στεγνά χέρια, βάλτε το ηλεκτρικό καλώδιο στην κατάλληλα γειωμένη πρίζα. Διατηρήστε όλες τις συνδέσεις στεγνές και μακριά από το έδαφος. Εάν το καλώδιο δεν είναι αρκετά μακρύ, χρησιμοποιήστε προέκταση καλωδίου η οποία:
 - Είναι σε καλή κατάσταση.
 - Διαθέτει τριπολικό βύσμα όπως αυτό του ηλεκτρικού κόφτη σωλήνων.
 - Είναι κατασκευασμένο για χρήση σε εξωτερικό χώρο.
 - Διαθέτει επαρκές μέγεθος σύρματος. Για επέκταση καλωδίου μήκους έως 50' (15,2 m) χρησιμοποιήστε διατομή 14 AWG (2,5 mm²) ή μεγαλύτερη. Για επέκταση καλωδίου μήκους έως 50'-100' (15,2 m - 30,5 m) χρησιμοποιήστε διατομή 12 AWG (2,5 mm²) ή μεγαλύτερη.
9. Ελέγξτε τη σωστή λειτουργία του ηλεκτρικού κόφτη σωλήνων. Με τα χέρια σας σε απόσταση:
 - Μετακινήστε τον διακόπτη ταχύτητας στη θέση I-Χαμηλή. Πατήστε και αφήστε τον ποδοδιακόπτη. Τα ράουλα πρέπει να περιστρέφονται όπως φαίνεται από τα βέλη στην Εικόνα 5. Αν το μηχάνημα δεν περιστρέφεται στη σωστή κατεύθυνση ή αν ο ποδοδιακόπτης δεν ελέγχει τη λειτουργία του μηχανήματος, μη χρησιμοποιείτε το μηχάνημα μέχρι να επισκευαστεί.
 - Πατήστε και κρατήστε πατημένο τον ποδοδιακόπτη. Ελέγξτε τα κινούμενα εξαρτήματα για κακή ευθυγράμμιση, μπλοκάρισμα, περιεργούς θορύβους ή άλλες ασυνήθιστες καταστάσεις. Αφήστε το πόδι σας από τον ποδοδιακόπτη. Αν διαπιστώσετε κάποια ασυνήθιστη κατάσταση, μη χρησιμοποιείτε το μηχάνημα μέχρι να επισκευαστεί.



Εικόνα 5 – Κατεύθυνση περιστροφής ράουλων

10. Τοποθετήστε τον διακόπτη ταχύτητας στη θέση Ο-Απενεργοποίηση και βγάλτε το μηχάνημα από την πρίζα με στεγνά χέρια.

Οδηγίες λειτουργίας

⚠ ΠΡΟΕΙΔΟΠΟΙΗΣΗ



Μη φοράτε γάντια ή φαρδιά ρούχα όταν χειρίζεστε τον ηλεκτρικό κόφτη σωλήνων. Τα μανίκια και το μπουφάν σας πρέπει να είναι κουμπωμένα. Μην τεντώνετε τα χέρια σας πάνω από το μηχάνημα. Μπορεί να πιαστούν και να μπλεχτούν τα ρούχα σας στο μηχάνημα.

Μην πλησιάζετε τα χέρια σας σε περιστρεφόμενα μέρη, όπως τα ράουλα, την ξύστρα, το μαχαίρι και τον σωλήνα. Αφήστε τα εξαρτήματα να σταματήσουν τελείως πριν χειριστείτε το εργαλείο ή τον σωλήνα. Με τον τρόπο αυτό θα μειώσετε την πιθανότητα παγίδευσης στα περιστρεφόμενα μέρη.

Στηρίξτε σωστά τους σωλήνες. Με τον τρόπο αυτό θα μειώσετε τον κίνδυνο τραυματισμών από χτυπήματα και σύνθλιψη λόγω ανατροπής ή πτώσης του σωλήνα και του εξοπλισμού.

Η διαδικασία της εργασίας και ο ποδοδιακόπτης πρέπει να ελέγχονται από ένα μόνο άτομο. Όταν το μηχάνημα είναι σε λειτουργία, στην περιοχή εργασίας πρέπει να βρίσκεται μόνο ο χειριστής. Με αυτόν τον τρόπο μειώνεται ο κίνδυνος τραυματισμού.

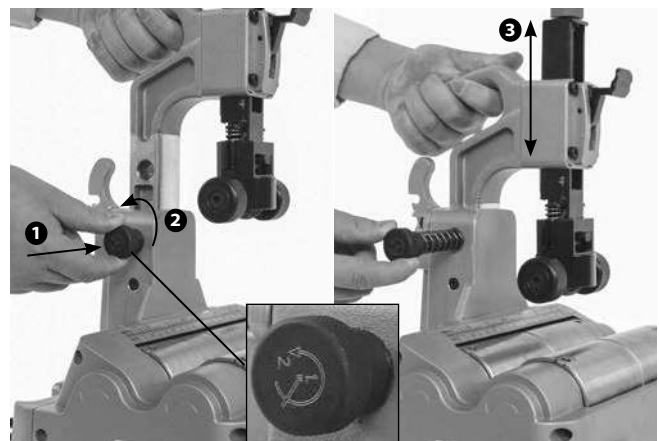
Τηρείτε τις οδηγίες λειτουργίας για να μειώσετε τον κίνδυνο σοβαρού τραυματισμού από ηλεκτροπληξία, παγίδευση, σύνθλιψη και άλλα αίτια, και για να προληφθεί τυχόν βλάβη του μηχανήματος.

Βεβαιωθείτε ότι το μηχάνημα και ο χώρος εργασίας έχουν προετοιμαστεί σωστά και ότι δεν υπάρχουν παρευρισκόμενοι και άλλοι περισπασμοί στον χώρο εργασίας. Ο χειριστής πρέπει να είναι το μόνο άτομο στην περιοχή όσο το μηχάνημα λειτουργεί.

Ρύθμιση του κόφτη για σωλήνες διαφορετικής διαμέτρου

Ρύθμιση γρήγορης αλλαγής διαμέτρου

Η ρύθμιση γρήγορης αλλαγής διαμέτρου σας βοηθά να αλλάξετε γρήγορα το εύρος διαμέτρου σωλήνα από 2" (50mm) και μικρότερου σε 2" έως 4" (50 mm έως 100 mm).



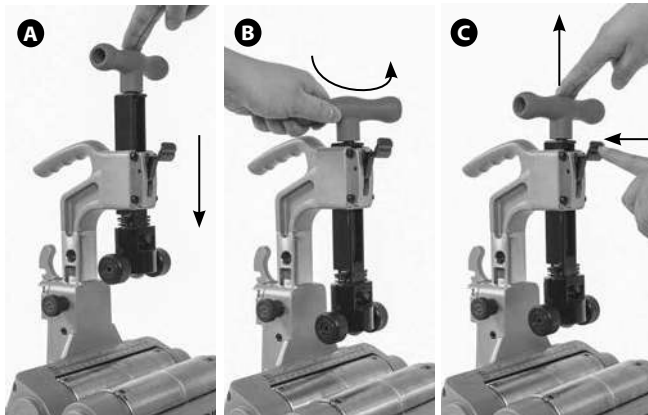
Εικόνα 6 – Ρύθμιση γρήγορης αλλαγής διαμέτρου

- Χωρίς σωλήνα στον κόφτη, πιάστε τη λαβή και ελευθερώστε τον πείρο πατώντας το κουμπί ① και περιστρέφοντάς το ελαφρά προς τα αριστερά ②. Το κουμπί διαθέτει ελατήριο και θα αποσυρθεί στη θέση του, ελέγξτε την κίνηση του κουμπιού. Βλ. Εικόνα 6.
- Χρησιμοποιώντας τη λαβή, μετακινήστε την κεφαλή στην επιθυμητή θέση ③.
- Τοποθετήστε το κουμπί γρήγορης αλλαγής για να διατηρήσετε την κεφαλή στη θέση της.

Ρύθμιση γρήγορης προώθησης κόφτη

Αυτή η ρύθμιση γρήγορης προώθησης κόφτη χρησιμοποιείται για την προώθηση και απόσυρση του μαχαιριού κόφτη κατά τη διάρκεια της λειτουργίας κοπής.

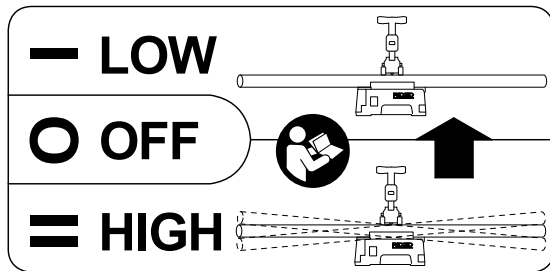
- Για να προωθήσετε το μαχαίρι κόφτη, σπρώξτε προς τα κάτω τη λαβή (Εικόνα 7Α) μέχρι να έρθει σε επαφή με τον σωλήνα.
- Για να αποσύρετε το μαχαίρι κόφτη, χαλαρώστε τη λαβή/βίδα προώθησης για 1-2 βόλτες (Εικόνα 7Β) και πατήστε την ασφάλεια (Εικόνα 7C) για να το αφήσετε να αποσυρθεί (διαθέτει ελατήριο – ελέγξτε την κίνηση της λαβής).



Εικόνα 7 – Γρήγορη προώθηση: Α-Προώθηση, Β-Χαλάρωση, C-Απόσυρση

Επιλογή/αλλαγή ταχύτητας λειτουργίας

Ο ηλεκτρικός κόφτης σωλήνων διαθέτει δύο ταχύτητες λειτουργίας – Χαμηλή και Υψηλή, βλ. Εικόνα 8.



Εικόνα 8 – Ετικέτα ταχύτητας

Χαμηλή ταχύτητα (I-Θέση διακόπτη για χαμηλή ταχύτητα).
Μειώνει τον κίνδυνο δόνησης και ταλάντωσης του σωλήνα κατά τη χρήση.

Συνιστάται για σωλήνες διαμέτρου 2" (50mm) και μικρότερης, και μήκους μεγαλύτερου από 6.5' (2m)

ΥΨΗΛΗ ταχύτητα (II-Θέση διακόπτη για υψηλή ταχύτητα).
Μειώνει τον χρόνο κοπής.

Για σωλήνες με διάμετρο μεγαλύτερη των 2" (50mm), οποιουδήποτε μήκους

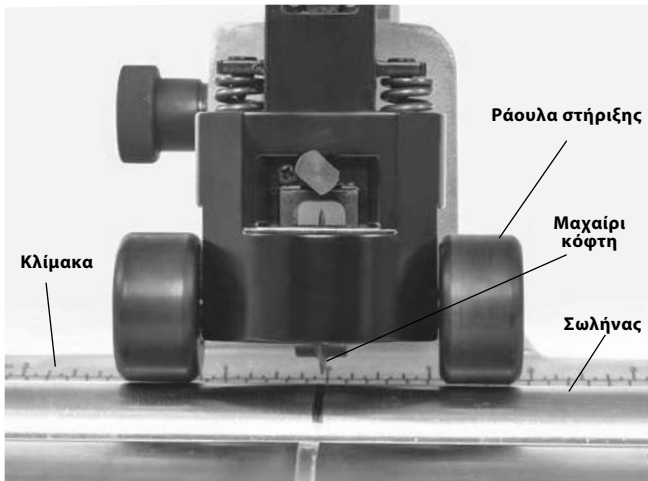
Για κάθε σωλήνα μικρότερο από 6.5' (2m)

Η δόνηση και η ταλάντωση του σωλήνα εξαρτάται από διάφορους παράγοντες, όπως το μήκος, τη διάμετρο, το βάρος, την ευθύτητα, την ευθυγράμμιση της βάσης, την ταχύτητα των ράουλων κλπ. Αν σε οποιαδήποτε στιγμή αισθανθείτε ότι ο σωλήνας δονείται ή ταλαντώνεται υπερβολικά, ελευθερώστε τον ποδοδιακόπτη. Αν η ταχύτητα βρίσκεται στη θέση II-Υψηλή, αλλάξτε την σε I-Χαμηλή και δοκιμάστε ξανά. Αν η ταχύτητα βρίσκεται στη θέση I-Χαμηλή, επιλέξτε άλλη μέθοδο κοπής για τον συγκεκριμένο σωλήνα, όπως χειροκίνητο κόφτη.

Για να αλλάξετε ταχύτητα, ελευθερώστε τον ποδοδιακόπτη και αφήστε τον κόφτη να σταματήσει τελείως. Μετακινήστε τον διακόπτη στην επιθυμητή θέση. Μην αλλάζετε την ταχύτητα λειτουργίας όσο το μηχάνημα λειτουργεί.

Κοπή σωλήνων

- Βεβαιωθείτε ότι ο σωλήνας δεν φαίνεται λυγισμένος και δεν έχει πρόσθετα εξαρτήματα. Η κοπή λυγισμένων σωλήνων ή σωλήνων με πρόσθετα εξαρτήματα μπορεί να προκαλέσει υπερβολική δόνηση και απώλεια ελέγχου. Χρησιμοποιήστε χειροκίνητο κόφτη αν χρειαστεί. Σημαδέψτε τον σωλήνα στο επιθυμητό μήκος. Για ευκολία, το μηχάνημα διαθέτει κλίμακα μέτρησης.
- Αν χρειαστεί, ρυθμίστε το εύρος διαμέτρου του ηλεκτρικού κόφτη σωλήνων με τη ρύθμιση γρήγορης αλλαγής διαμέτρου.
- Τοποθετήστε τον σωλήνα στα ράουλα έτσι ώστε το σημάδι κοπής να βρίσκεται κάτω από το μαχαίρι κόφτη, στην ένδειξη μηδέν της κλίμακας. Αν ο σωλήνας προεξέχει από το μηχάνημα, τοποθετήστε στηρίγματα κάτω από τον σωλήνα. Τα στηρίγματα πρέπει να ρυθμίζονται έτσι ώστε ο σωλήνας να κάθεται σωστά στα ράουλα. Με τον τρόπο αυτόν θα διασφαλιστεί η σωστή κίνηση στην κοπή. Βλ. Εικόνα 3.
- Πάρτε σωστή θέση για τον χειρισμό, ώστε να έχετε τον έλεγχο του μηχανήματος και του σωλήνα (βλ. Εικόνα 10):
 - Βεβαιωθείτε ότι έχετε εύκολη πρόσβαση στα εργαλεία και τον διακόπτη.
 - Βεβαιωθείτε ότι μπορείτε να χειριστείτε τον ποδοδιακόπτη. Μην πατάτε ακόμη τον ποδοδιακόπτη. Σε περίπτωση έκτακτης ανάγκης, θα πρέπει να μπορείτε να αφήσετε τον ποδοδιακόπτη.
 - Βεβαιωθείτε ότι έχετε σταθερή ισορροπία και δεν χρειάζεται να τεντώνετε υπερβολικά.
- Προχωρήστε το σύστημα γρήγορης προώθησης μέχρι τα ράουλα στήριξης να έρθουν σε επαφή με τον σωλήνα (Εικόνα 9). Ευθυγραμμίστε το μαχαίρι κόφτη με το σημάδι πάνω στον σωλήνα. Σφίξτε τη βίδα προώθησης για να φέρετε το μαχαίρι κόφτη σε επαφή με τον σωλήνα. Μόλις το μαχαίρι κόφτη έρθει σε επαφή με τον σωλήνα, γυρίστε τη βίδα προώθησης άλλη 1 έως 1½ βόλτα ώστε να πιαστεί ο σωλήνας. Μην προχωράτε τη βίδα προώθησης υπερβολικά γιατί μπορεί να πατηθεί ο σωλήνας και να αυξηθεί ο σχηματισμός γρεζιών.


Εικόνα 9 – Ράουλα στήριξης σε επαφή με τον σωλήνα

6. Μετακινήστε τον διακόπτη ταχύτητας Ι-Χαμηλή /Ο-Απενεργοποίηση/ΙΙ-Υψηλή στην κατάλληλη θέση για την κοπή του σωλήνα
7. Πατήστε τον ποδοδιακόπτη. Τα ράουλα και ο σωλήνας θα αρχίσουν να περιστρέφονται. Μην πλησιάζετε τα χέρια σας στα περιστρεφόμενα μέρη.


Εικόνα 10 – Κοπή σωλήνα

8. Προχωρήστε τη βίδα προώθησης σφίγγοντάς την αργά και συνεχώς μέχρι να κοπεί ο σωλήνας. Η επιθετική κοπή μπορεί να καταστρέψει το μαχαίρι κόφτη και να δημιουργήσει πολλά γρέζια. Διατηρήστε τα ράουλα στήριξης σε επαφή με τον σωλήνα ώστε να μένει ο σωλήνας στη θέση του.

Αν ο σωλήνας κινηθεί σπειροειδώς κατά την κοπή, σταματήστε την κοπή και ελέγξτε τη ρύθμιση του μηχανή-

ματος, ειδικά την ευθυγράμμιση με τις βάσεις σωλήνα. Τα διάφορα υλικά από τα οποία είναι φτιαγμένοι οι σωλήνες μπορεί να χρειάζονται ελαφρά διαφορετική σύσφιξη της βίδας προώθησης, ώστε να βελτιώνεται η κίνηση.

9. Αφήστε το πόδι σας από τον ποδοδιακόπτη. Στη συνέχεια, μετακινήστε τον διακόπτη ταχύτητας Ι-Χαμηλή/Ο-Απενεργοποίηση/ΙΙ-Υψηλή στη θέση Ο-Απενεργοποίηση.
10. Μόλις ο σωλήνας σταματήσει να περιστρέφεται, χαλαρώστε τη βίδα προώθησης για 1-2 βόλτες και πατήστε την ασφάλεια ώστε να αποσυρθεί πλήρως το μαχαίρι κόφτη. Αφαιρέστε τον σωλήνα.

Ξύσιμο Σωλήνα


Εικόνα 11 – Τοποθέτηση ξύστρας

1. Τοποθετήστε τον διακόπτη ταχύτητας Ι-Χαμηλή/Ο-Απενεργοποίηση/ΙΙ-Υψηλή στη θέση Ο-Απενεργοποίηση.
2. Πάρτε την ξύστρα από τη θέση φύλαξης και τοποθετήστε την στη θέση χρήσης, όπως φαίνεται στην *Εικόνα 11*. Βεβαιωθείτε ότι η ξύστρα είναι τοποθετημένη με ασφάλεια.
3. Μετακινήστε τον διακόπτη ταχύτητας Ι-Χαμηλή/Ο-Απενεργοποίηση/ΙΙ-Υψηλή στη θέση Ι-Χαμηλή.
4. Πατήστε τον ποδοδιακόπτη. Μην πλησιάζετε τα χέρια σας στα άκρα του σωλήνα και τα περιστρεφόμενα μέρη.
5. Πιάστε τον σωλήνα καλά. Στηρίξτε σωστά τον σωλήνα για να μπορείτε να διατηρείτε τον έλεγχο.
6. Τοποθετήστε τον σωλήνα πάνω από τον κώνο της ξύστρας και εφαρμόστε ελαφρά δύναμη (*Εικόνα 12*) για να αφαιρέσετε τα γρέζια από το εσωτερικό του άκρου του σωλήνα. Μην πιέζετε τον σωλήνα στην ξύστρα, γιατί μπορεί η ξύστρα να αρπάξει τον σωλήνα και να τον περιστρέψει στα χέρια σας.



Εικόνα 12 – Ξύσιμο του σωλήνα

7. Αφήστε το πόδι σας από τον ποδοδιακόπτη.
8. Τοποθετήστε τον διακόπτη ταχύτητας Ι-Χαμηλή/Ο-Απενεργοποίηση/Ι-Υψηλή στη θέση Ο-Απενεργοποίηση.
9. Αφαιρέστε την ξύστρα από τη θέση χρήσης και επιστρέψτε την στη θέση φύλαξης.

Μεταφορά

1. Αφαιρέστε ή ασφαλίστε κάθε είδους εξοπλισμό και υλικό από το μηχάνημα πριν μετακινηθείτε, ώστε να αποφύγετε τυχόν πτώση ή ανατροπή.
2. Τοποθετήστε το μαχαίρι κόφτη στην κάτω θέση.
3. Τυλίξτε το καλώδιο ρεύματος και τον εύκαμπο σωλήνα του ποδοδιακόπτη γύρω από το άγκιστρο καλωδίωσης και ασφαλίστε το όπως φαίνεται στην *Εικόνα 13*.
4. Ανασηκώστε με τη λαβή. Προσέξτε κατά την ανύψωση και τη μετακίνηση. Λάβετε υπόψη το βάρος του μηχανήματος.



Εικόνα 13 – Τυλιγμένο καλώδιο/εύκαμπτος σωλήνας

Φύλαξη

⚠ ΠΡΟΕΙΔΟΠΟΙΗΣΗ Ο ηλεκτρικός κόφτης σωλήνων πρέπει να διατηρείται στεγνός και σε εσωτερικό χώρο, ή καλά σκεπασμένος, στην περίπτωση που χρειαστεί να αφεθεί σε εξωτερικό χώρο. Το μηχάνημα πρέπει να φυλάσσεται σε κλειδωμένο χώρο μακριά από παιδιά και άτομα που δεν είναι εξοικειωμένα με τον ηλεκτρικό κόφτη σωλήνων. Αυτό το μηχάνημα μπορεί να προκαλέσει σοβαρό τραυματισμό σε χέρια ανειδίκευτων χρηστών.

Οδηγίες συντήρησης

⚠ ΠΡΟΕΙΔΟΠΟΙΗΣΗ

Βεβαιωθείτε ότι ο διακόπτης βρίσκεται στη θέση Ο-Απενεργοποίηση και ότι το μηχάνημα έχει βγει από την πρίζα, πριν εκτελέσετε οποιαδήποτε εργασία συντήρησης ή ρύθμισης.

Η συντήρηση του κόφτη πρέπει να γίνεται σύμφωνα με τις ακόλουθες οδηγίες, για να μειώσετε τον κίνδυνο τραυματισμού από ηλεκτροπληξία, παγίδευση ή άλλα αίτια.

Καθαρισμός

Καθαρίζετε προσεκτικά το μηχάνημα μετά από κάθε χρήση με ένα καθαρό και στεγνό πανί. Διατηρείτε τα ράουλα καθαρά από ακαθαρσίες και υπολείμματα.

Διατηρείτε την ξύστρα καθαρή και χωρίς γρέζια για μέγιστη αποτελεσματικότητα.

Καθαρίζετε τυχόν σκόνη και υπολείμματα από τις οπές εξαερισμού του μοτέρ.

Λίπανση

Λιπαίνετε κάθε μήνα (ή πιο συχνά αν χρειάζεται) όλα τα εκτεθειμένα κινούμενα μέρη του ηλεκτρικού κόφτη σωλήνων και της βάσης PC116TS (όπως τη βίδα προώθησης, το σύστημα γρήγορης προώθησης, τα ράουλα και τα σημεία περιστροφής) με ελαφρύ λάδι λίπανσης. Σκουπίζετε τυχόν περισσευούμενο λάδι από τις εκτεθειμένες επιφάνειες.

Αλλαγή του μαχαιριού κόφτη

Για τη σωστή επιλογή του μαχαιριού του κόφτη, βλ. *Τεχνικά χαρακτηριστικά*. Αλλάξτε το μαχαίρι κόφτη όταν κόβετε διαφορετικά υλικά, και αντικαταστήστε το αν η ακμή κοπής σπάσει ή γίνει επίπεδη. Μπορεί να αποθηκευτεί ένα επιπλέον μαχαίρι κόφτη στη μονάδα. Βλ. *Εικόνα 13*.

1. Αφαιρέστε τον πείρο σύνδεσης. Η βάση του μαχαιριού θα ελευθερωθεί και θα πέσει (*Εικόνα 14*).



Εικόνα 14 – Αφαίρεση βάσης μαχαιριού

2. Αφαιρέστε τον πείρο μαχαιριού και το μαχαίρι κόφτη/έδρανο (*Εικόνα 15*).
3. Ελέγξτε το έδρανο. Το έδρανο θα πρέπει να κινείται ελεύθερα. Αντικαταστήστε το αν χρειάζεται.
4. Ακολουθήστε την αντίστροφη διαδικασία για να τοποθετήσετε το μαχαίρι κόφτη.



Εικόνα 15 – Αλλαγή του μαχαιριού κόφτη

Προστασία μοτέρ από υπερένταση

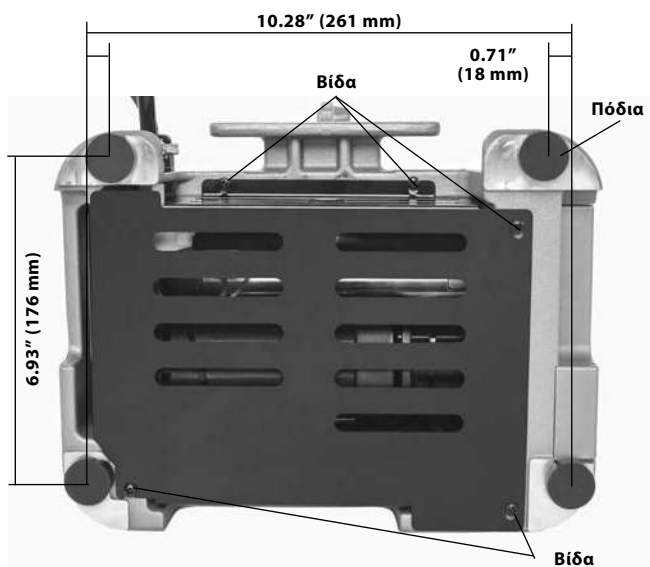
Ο κόφτης διαθέτει προστασία από υπερένταση που σβήνει το μηχάνημα για να προστατέψει το μοτέρ σε περίπτωση που παίρνει πολύ ρεύμα.

Αν το μηχάνημα σβήσει ξαφνικά, ελευθερώστε τον ποδοδιακόπτη. Τοποθετήστε τον διακόπτη στη θέση Ο-Απενεργοποίηση και βγάλτε το μηχάνημα από την πρίζα. Αφαιρέστε τυχόν σωλήνα που υπάρχει στο μηχάνημα. Ακολουθήστε τις οδηγίες της ενότητας για την «Επιθεώρηση πριν τη λειτουργία» και την «Προετοιμασία μηχανήματος και χώρου εργασίας» για να επιβεβαιώσετε ότι το μηχάνημα λειτουργεί κανονικά.

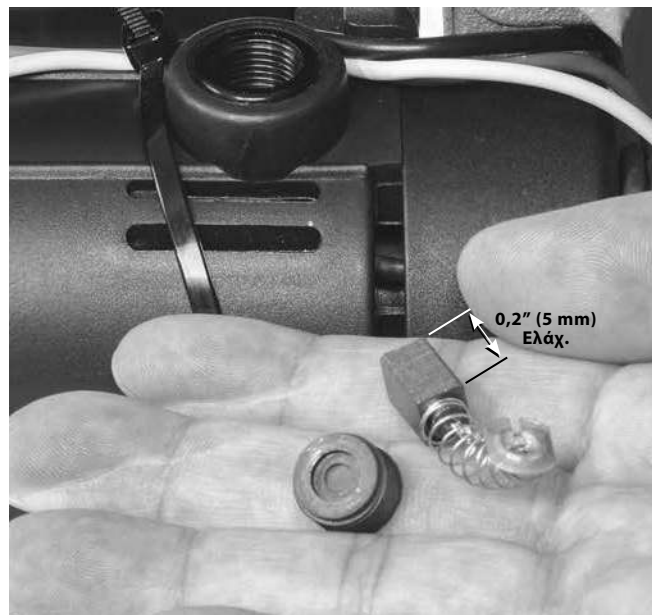
Αλλαγή στις ψήκτρες του μοτέρ

Ελέγχετε τις ψήκτρες του μοτέρ κάθε έξι μήνες και αλλάξτε τις αν το μήκος τους είναι μικρότερο από 5 mm (0.2").

1. Βεβαιωθείτε ότι ο διακόπτης βρίσκεται στη θέση Ο-Απενεργοποίηση και ότι το μηχάνημα έχει βγει από την πρίζα.
2. Χαλαρώστε τις πέντε βίδες που συγκρατούν το κάτω κάλυμμα (*Εικόνα 16*) και αφαιρέστε το (Κάποιες βίδες παραμένουν στο κάλυμμα).
3. Χρησιμοποιήστε κατσαβίδι για να ξεβιδώσετε και να αφαιρέσετε τα καπάκια από τις ψήκτρες (*Εικόνα 17*). Αφαιρέστε προσεκτικά τις ψήκτρες άνθρακα και ελέγξτε το μήκος τους (*Εικόνα 18*). Αν το μήκος τους είναι μικρότερο από 5 mm (0.2"), αλλάξτε τις ψήκτρες.
4. Τοποθετήστε την ψήκτρα στη βάση της, ευθυγραμμίζοντας σωστά τις προεξοχές με τις υποδοχές στη βάση της ψήκτρας.
5. Σφίξτε καλά τα καπάκια στις ψήκτρες. Τοποθετήστε και πάλι το κάτω κάλυμμα.
6. Μόλις ξανα συναρμολογήσετε το μηχάνημα, βάλτε το να λειτουργήσει στην ταχύτητα II-Υψηλή για πέντε λεπτά, χωρίς σωλήνα, για να στρώσετε τις ψήκτρες.

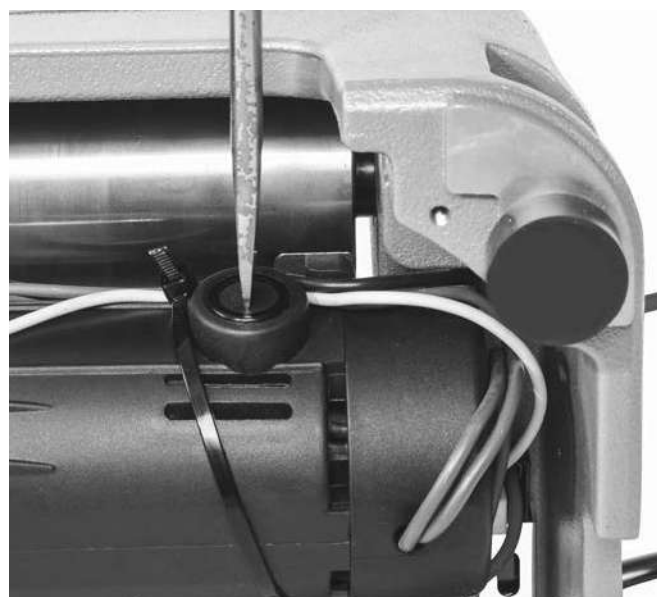


Εικόνα 16 – Βίδες κάτω καλύμματος



Εικόνα 18 – Έλεγχος μήκους ψήκτρας

Σαρώστε τον κωδικό QR παρακάτω για να δείτε τα έγγραφα και το βίντεο για τον κόφτη PC116/PTC-400.



Εικόνα 17 – Αφαίρεση καπακιού ψήκτρας

Επίλυση προβλημάτων

ΠΡΟΒΛΗΜΑ	ΠΙΘΑΝΕΣ ΑΙΤΙΕΣ	ΕΠΙΛΥΣΗ
Υπερβολικές δονήσεις κατά τη λειτουργία.	Λάθος ταχύτητα λειτουργίας. Κοπή σωλήνα που έχει λυγίσει. Μακρύς σωλήνας χωρίς τη σωστή στήριξη. Το μηχάνημα δεν είναι σωστά τοποθετημένο.	Βλ. <i>Επιλογή ταχύτητας λειτουργίας</i> . Μην κόβετε σωλήνα που φαίνεται λυγισμένος. Χρησιμοποιήστε χειροκίνητο κόφτη. Στηρίζετε τους σωλήνες μεγάλου μήκους με βάση σωλήνων. Τοποθετήστε σωστά το μηχάνημα σε επίπεδη επιφάνεια, και στερεώστε με τους κοχλίες στερέωσης.
Το μηχάνημα δεν κόβει σωστά τους σωλήνες.	Φθαρμένο μαχαίρι κόφτη. Χρήση με λάθος διάμετρο ή υλικό σωλήνα.	Αντικαταστήστε το φθαρμένο μαχαίρι κόφτη. Χρησιμοποιήστε τον σωστό τύπο σωλήνα (βλ. <i>Τεχνικά χαρακτηριστικά</i>).
Το μηχάνημα σταματά κατά την κοπή.	Επιθετική προώθηση του μαχαιριού κόφτη κατά την κοπή.	Προωθήστε μαλακά το μαχαίρι κόφτη.
Το μηχάνημα δεν λειτουργεί.	Οι ψήκτρες του μοτέρ έχουν φθαρεί. Ενεργοποίηση της προστασίας από υπερένταση.	Τοποθετήστε νέες ψήκτρες στο μοτέρ. Ακολουθήστε τις οδηγίες για την υπερένταση του μοτέρ στην ενότητα για τη Συντήρηση.
Πάρα πολλά γρέζια ή παραμόρφωση του άκρου του σωλήνα.	Φθαρμένο ή κατεστραμμένο μαχαίρι κόφτη. Επιθετική προώθηση του μαχαιριού κόφτη κατά την κοπή.	Αντικαταστήστε το μαχαίρι κόφτη. Προωθήστε μαλακά το μαχαίρι κόφτη.
Το μηχάνημα σταματά ενώ είναι πατημένος ο ποδοδιακόπτης. Ξεκινά πάλι όταν ο ποδοδιακόπτης πατηθεί εκ νέου.	Οπή στον ποδοδιακόπτη/εύκαμπτο σωλήνα. Ο διακόπτης αέρα παρουσιάζει διαρροή.	Αντικαταστήστε τον ποδοδιακόπτη. Αν δεν βρεθεί πρόβλημα στον ποδοδιακόπτη/εύκαμπτο σωλήνα, αντικαταστήστε τον διακόπτη αέρα.

Σέρβις και επισκευή
⚠ ΠΡΟΕΙΔΟΠΟΙΗΣΗ

Ακατάλληλο σέρβις ή επισκευή μπορεί να καταστήσει το μηχάνημα μη ασφαλές για λειτουργία.

Στις *Οδηγίες συντήρησης* περιλαμβάνονται οι περισσότερες περιπτώσεις που αφορούν το σέρβις του μηχανήματος. Προβλήματα που δεν αναφέρονται σε αυτήν την ενότητα πρέπει να αντιμετωπίζονται μόνο σε ένα ανεξάρτητο κέντρο σέρβις της RIDGID. Χρησιμοποιείτε μόνο ανταλλακτικά RIDGID.

Για πληροφορίες σχετικά με το πλησιέστερο ανεξάρτητο κέντρο σέρβις προϊόντων RIDGID στην περιοχή σας, ή για τυχόν απορίες σχετικά με το σέρβις ή τις επισκευές, ανατρέξτε στην ενότητα *Πληροφορίες επικοινωνίας* στο παρόν εγχειρίδιο.

Προαιρετικός εξοπλισμός
⚠ ΠΡΟΕΙΔΟΠΟΙΗΣΗ

Προκειμένου να μειωθεί ο κίνδυνος σοβαρού τραυματισμού, χρησιμοποιείτε μόνο βοηθητικά εξαρτήματα που είναι ειδικά σχεδιασμένα και συνιστώνται για χρήση με τον ηλεκτρικό κόφτη σωλήνων PC116/PTC-400 της RIDGID, όπως αυτά που αναφέρονται εδώ.

Αρ. Καταλογίου	Περιγραφή
64903	Βάση σωλήνων PC116TS για χρήση με PC116/PTC-400
66253	Ψήκτρα άνθρακα μοτέρ PC116 220-240V
66248	Ψήκτρα άνθρακα μοτέρ PC116 100-120V
56662	Ψηλή βάση σωλήνων με κεφαλή VJ-99 28"-52"
64908	Ξύστρα 137S για PC116/PTC-400
66938	Μαχαίρι κόφτη E850 (για μεταλλικό σωλήνα)
66943	Μαχαίρι κόφτη E855 (για πλαστικό σωλήνα)
64898	Έδρανο μαχαιριού κόφτη

Για πλήρη λίστα του εξοπλισμού RIDGID που διατίθεται για αυτά τα εργαλεία, ανατρέξτε στον διαδικτυακό κατάλογο της Ridge Tool στη διεύθυνση RIDGID.com ή ανατρέξτε στις Πληροφορίες επικοινωνίας.

Απόρριψη

Τα εξαρτήματα αυτών των εργαλείων περιέχουν πολύτιμα υλικά και μπορούν να ανακυκλωθούν. Εταιρείες ανακύκλωσης υπάρχουν και κατά τόπους. Πρέπει να απορρίπτετε τα εξαρτήματα σύμφωνα με όλους τους ισχύοντες κανονισμούς. Επικοινωνήστε με την υπηρεσία διαχείρισης απορριμμάτων της περιοχής σας για περισσότερες πληροφορίες.



Για χώρες της ΕΚ: Μην απορρίπτετε τον ηλεκτρικό εξοπλισμό μαζί με οικιακά απορρίμματα!

Σύμφωνα με την Ευρωπαϊκή Οδηγία 2012/19/ΕΕ σχετικά με τα απόβλητα ηλεκτρικού και ηλεκτρονικού εξοπλισμού και την ενσωμάτωσή της στην εθνική νομοθεσία, ο ηλεκτρικός εξοπλισμός που δεν μπορεί πλέον να χρησιμοποιηθεί πρέπει να συλλέγεται ξεχωριστά και να απορρίπτεται με τρόπο φιλικό προς το περιβάλλον.

Rezač cijevi

PC116/PTC-400 električni rezač cijevi



⚠ UPOZORENJE!

Pažljivo pročitajte ovaj korisnički priručnik prije korištenja ovog alata. Nepoštivanje Uputa iz ovog priručnika može imati za posljedicu strujni udar, požar i/ili teške tjelesne ozljede.

PC116/PTC-400 električni rezač cijevi

U donji okvir upišite serijski broj s natpisne pločice i sačuvajte ga za buduće potrebe.

Serijski
br.

Sadržaj

Obrazac za zapisivanje serijskog broja uređaja	279
Sigurnosni simboli	281
Opća sigurnosna upozorenja za električni alat	281
Sigurnost radnog područja.....	281
Zaštita od struje.....	281
Osobna zaštita.....	282
Korištenje i briga o električnom alatu.....	282
Servisiranje.....	282
Posebne sigurnosne informacije	282
Informacije za kontaktiranje RIDGID-a	283
Opis	283
Tehničke karakteristike	284
Standardna oprema.....	284
Sastavljanje	284
Montaža na radni stol.....	284
Provjera prije uporabe	285
Podešavanje uređaja i radnog područja	285
PC116TS Postolje/Prilagođavanje.....	286
Radne upute	287
Podešavanje rezača za različite veličine cijevi.....	287
Odabir/promjena radne brzine.....	287
Rezanje cijevi.....	288
Skidanje srha s cijevi.....	289
Transport.....	289
Skladištenje	289
Upute za održavanje	290
Čišćenje.....	290
Podmazivanje.....	290
Izmjena reznog kotačića.....	290
Zaštita motora od prekomjerne struje.....	290
Izmjena četkica motora.....	290
Otklanjanje grešaka.....	292
Servisiranje i popravak.....	292
Neobavezna oprema	292
Zbrinjavanje	293
Izjava o sukladnosti EZ	Unutar stražnje korice
Doživotno jamstvo	Stražnja stranica

* Prijevod originalnih uputa

Sigurnosni simboli

Sigurnosni znakovi i riječi upozorenja u ovom priručniku i na proizvodu ukazuju na važne informacije o sigurnosti. Ova sekcija je predviđena za poboljšati razumijevanje ovih signalnih riječi i simbola.



Ovo je znak sigurnosnog upozorenja. Upozorava na potencijalnu opasnost od tjelesnih ozljeda. Da biste spriječili tjelesne ozljede i smrtni ishod, pridržavajte se svih sigurnosnih poruka koje slijede ovaj znak.

OPASNOST

OPASNOST ukazuje na opasnu situaciju koja, ako se ne izbjegne, može rezultirati teškim ozljedama ili smrtnim ishodom.

UPOZORENJE

UPOZORENJE označava opasnu situaciju koja, ako se ne izbjegne, može rezultirati teškim ozljedama ili smrtnim ishodom.

OPREZ

OPREZ označava opasnu situaciju koja, ako se ne izbjegne, može rezultirati lakšim ili srednje teškim ozljedama.

NAPOMENA

NAPOMENA ukazuje na informacije vezane uz zaštitu imovine.



Ovaj znak Vas upozorava da prije korištenja opreme pažljivo pročitate korisnički priručnik. Korisnički priručnik sadrži važne informacije o sigurnosti i ispravnom radu opreme.



Ovaj znak upozorava na obveznu uporabu zaštitnih naočala ili zaštitnih naočala s bočnim štitnicima prilikom rukovanja ili korištenja ove opreme, kako bi se smanjila opasnost od ozljeda očiju.



Ovaj znak označava opasnost od električnog udara.



Ovaj znak ukazuje na rizik od uklještenja ili zaglavlivanja prstiju ili drugih dijelova tijela valjcima ili drugim pokretnim dijelovima.



Ovaj znak ukazuje na rizik da se ruke, prsti ili drugi dijelovi tijela porežu okretnim ili pomičnim dijelovima.



Ovaj simbol označava opasnost od prevrtanja stroja zbog čega može doći do ozljeda uslijed udarca ili gnječanja.



Ovaj znak znači da ne nosite rukavice dok radite za ovim uređajem kako biste smanjili rizik od zapletaja.

Opća sigurnosna upozorenja za električni alat*

UPOZORENJE

Pročitajte sva sigurnosna upozorenja, upute, ilustracije i specifikacije koje ste dobili s ovim električnim alatom. Nepoštivanje uputa može za posljedicu imati strujni udar, požar i/ili tešku tjelesnu ozljedu.

SAČUVAJTE SVA UPOZORENJA I UPUTE KAO BUDUĆU REFERENCU!

Termin "električni alat" u upozorenjima se odnosi na vaš električni aparat koji se priključuje na izvor napona (sa kablom) ili električni aparat koji radi na baterije (bežični).

Sigurnost radnog područja

- Neka vaše radno mjesto bude čisto i dobro osvijetljeno. Neuredna ili mračna područja pogoduju nezgodama.
- Nemojte raditi s električnim alatom u eksplozivnom okruženju, kao što su ona u kojima postoje zapaljive tekućine, plinovi ili prašina. Električni alati stvaraju iskre koje mogu zapaliti prašinu ili plinove.
- Kada radite sa električnim alatom držite djecu i prolaznike na dovoljnoj udaljenosti. Ometanje vam može odvratiti pozornost i dovesti do gubitka kontrole.

Zaštita od struje

- **Utikači električnog alata moraju odgovarati utičnici. Ni na koji način nemojte modificirati utikač. S električnim alatima koji trebaju biti uzemljeni nemojte koristiti nikakve adaptere za utikač.** Nemodificirani utikači i odgovarajuće utičnice smanjuju rizik od električnog udara.
- **Izbjegavajte tjelesni dodir s uzemljenim površinama poput cijevi, radijatora, štednjaka i hladnjaka.** Ako je vaše tijelo uzemljeno postoji povećana opasnost od električnog udara.
- **Ne izlažite električne alate padalinama ili mokrim površinama..** Voda koja uđe u električni alat povećava rizik od električnog udara.
- **Nemojte oštećivati kabel. Kabel nemojte nikada upotrebljavati za nošenje, povlačenje ili za izvlačenje utikača električnog alata. Kabel držite dovoljno daleko od izvora topline, ulja, oštih rubova i pokretnih dijelova.** Oštećeni ili zapleteni kabeli povećavaju rizik od strujnog udara.
- **Pri radu s električnim alatom na otvorenom koristite produžni kabel pogodan za korištenje na otvorenom..** Uporaba kabela pogodnog za korištenje na otvorenom smanjuje rizik od strujnog udara.

* Tekst korišten u poglavlju Opća sigurnosna upozorenja za električni alat ovog priručnika je doslovno preuzet, koliko je to bilo potrebno, iz odgovarajuće norme UL/CSA/EN 62841-1. Ovo poglavlje sadrži opća sigurnosna pravila sigurne prakse za nekoliko različitih tipova električnih alata. Nije svaka mjera opreza primjenjiva za svaki alat, a neke se ne primjenjuju za ovaj alat.

- **Ako je rad s električnim alatom na vlažnom mjestu neizbježan, koristite zaštitnu strujnu sklopku (GFCI) u slučaju otkaza mase..** Uporaba GFCI sklopke smanjuje rizik od strujnog udara.

Osobna zaštita

- **Tijekom uporabe električnog alata budite pažljivi, pratite što radite i razumno koristite električni alat. Nemojte upotrebljavati električni alat ako ste umorni ili pod utjecajem droga, alkohola ili lijekova.** Trenutak nepažnje pri radu s električnim alatima može za posljedicu imati teške ozljede.
- **Upotrebljavajte opremu za osobnu zaštitu. Uvijek nosite zaštitu za oči.** Oprema za osobnu zaštitu, kao na primjer maska protiv prašine, zaštitne cipele s potplatima protiv klizanja, zaštitna kaciga ili štitnici za sluh, koja se koristi za odgovarajuće uvjete, umanjiti će opasnost od ozljede.
- **Spriječite nehotično pokretanje. Osigurajte da je prekidač u položaju ISKLJUČENO prije spajanja na napajanje i/ili na bateriju, podizanja ili nošenja alata.** Nošenje električnih alata dok vam je prst na prekidaču ili nabijanje električnih alata kojima je prekidač u položaju UKLJUČENO izazivaju nesreće.
- **Uklonite sve koje ključeve za podešavanje prije UKLJUČIVANJA električnog alata..** Ključ ili pribor koji su ostali na rotirajućem dijelu električnog alata mogu izazvati ozljede.
- **Nemojte posezati predaleko. Provjerite stojite li na čvrstoj podlozi i u svakom trenutku zadržite ravnotežu.** To omogućuje bolji nadzor električnog alata u neočekivanim uvjetima.
- **Propisno se oblačite. Nemojte nositi lepršavu odjeću i nakit. Kosu i odjeću držite podalje od pokretnih dijelova.** Labava odjeća, nakit ili duga kosa mogu biti zahvaćeni pokretnim dijelovima.
- **Ako postoje uređaji za povezivanje sa usisivačima i sakupljačima prašine, provjerite jesu li dobro spojeni i koriste li se ispravno.** Uporaba takve opreme umanjuje opasnost koja nastaje nakupljanjem prašine.
- **Ne dopustite da vas znanje o rukovanju koje ste dobili čestom upotrebom alata učini neopreznim tako da zanemarite sigurnosne principe rukovanja alatom.** Neoprezan rad može prouzrokovati tešku ozljedu u djeliću sekunde.

Korištenje i briga o električnom alatu

- **Nemojte preopteretiti električni alat. Upotrebljavajte odgovarajuće električne alate za određenu namjenu.** Odgovarajući električni alat uradit će posao bolje i sigurnije u nazivnoj snazi za koju je dizajniran.

- **Nemojte upotrebljavati električni alat ako se sklopkom za uključivanje/isključivanje oprema ne može UKLJUČITI i ISKLJUČITI.** Električni alat koji ne možete nadzirati sklopkom za uključivanje/isključivanje opasna je i morate je popraviti.
- **Prije podešavanja, mijenjanja nastavaka ili spremanja alata izvadite utikač iz utičnice i/ili iz uložka baterije ako se može uklanjati.** Takve preventivne sigurnosne mjere smanjuju opasnost od slučajnog uključivanja alata.
- **Kada ne koristite električni alat, držite ga podalje od dohvata djece, a osobama koje nisu upoznate s električnim alatom ili koje nisu pročitale ove upute za uporabu nemojte dopuštati da ga koriste.** Električni alati su opasni ako ih koriste neobučene osobe.
- **Održavajte električne alate. Provjerite jesu li pokretni dijelovi alata loše postavljeni ili spojeni, nisu li dijelovi popucali te postoje li drugi uvjeti koji mogu utjecati na rad električnog alata. Prije uporabe popravite oštećenu električni alat.** Neispravno održavanje električnih alata uzrokuje mnoge nesreće.
- **Alate za rezanje održavajte oštima i čistima.** Ispravno održavani alati za rezanje s oštrim rubovima manje se savijaju i lakši su za kontroliranje.
- **Upotrijebite električni alat, dodatni pribor i dijelove alata itd. prema ovim Uputama, uzevši u obzir radne uvjete i poslove koje treba obaviti.** Upotreba električnog alata za radnje za koje ona nije predviđena može dovesti do opasnih situacija.
- **Ručke držite suhima, a rukohvate čistima, te bez ulja i masti.** Klizave ručke i površine za hvatanje ne omogućuju sigurno rukovanje i kontrolu nad alatom u nepredviđenim situacijama.

Servisiranje

- **Električni alat može servisirati samo kvalificirano servisno osoblje upotrebljavajući identične zamjenske dijelove.** To će zajamčiti očuvanje sigurnosti električnog alata.

Posebne sigurnosne informacije

▲ UPOZORENJE

Ovaj odjeljak sadrži važne sigurnosne informacije koje su karakteristične za ovaj alat.

Pažljivo pročitajte ove mjere opreza prije uporabe električnog rezača cijevi PC116/PTC-400 kako biste smanjili rizik od strujnog udara ili ostalih ozbiljnih ozljeda.

SAČUVAJTE SVA UPOZORENJA I UPUTE KAO BUDUĆU REFERENCU!

Držite ovaj priručnik u blizini uređaja kako bi ga rukovatelj mogao upotrijebiti.

- **Nemojte nositi široku odjeću ili nakit dok radite s električnim rezačem cijevi. Neka rukavi i jakne budu zakopčani.** Nemojte posezati preko stroja. Odjeća može biti zahvaćena strojem, što može dovesti do zapletaja.
- **Držite ruke podalje od okretnih dijelova, poput valjaka, skidača srha, reznog kotačića i cijevi. Dozvolite da se dijelovi potpuno zaustave prije korištenja alata ili cijevi.** Ovakva praksa smanjit će vjerojatnost zaplitanja u okretne dijelove.
- **Učvrstite stroj na stabilan radni stol ili postolje. Ispravno poduprite cijevi.** To će smanjiti rizik od udaraca i ozljeda od nagnječenja zbog prevrtanja i padanja cijevi ili opreme.
- **Nemojte rezati vidljivo svinute cijevi ili cijevi na kojima su postavljeni fitinzi.** Smanjuje rizik pretjeranih vibracija i gubitka kontrole nad strojem i/ili cijevima.
- **Uvijek nosite odgovarajuću zaštitu za oči i odgovarajuću osobnu zaštitnu opremu.** Alati za rezanje se mogu slomiti ili rasprsnuti. To će smanjiti opasnost od ozljeda.
- **Jedna osoba mora upravljati radnim procesom i nožnom sklopkom.** Dok stroj radi u radnom se okruženju smije nalaziti samo rukovatelj. To pomaže smanjiti opasnost od ozljede.
- **Pročitajte i usvojite ove upute, upute i upozorenja i upute za svu opremu i materijale koji će se koristiti prije korištenje ovog alata kako biste smanjili opasnost od ozbiljnih ozljeda.**

Informacije za kontaktiranje RIDGID-a

Ako imate bilo kakvih pitanja u vezi ovog RIDGID® proizvoda:

- Kontaktirajte lokalnog RIDGID® distributera.
- Posjetite RIDGID.com kako biste pronašli svoju lokalnu kontaktnu točku za RIDGID.
- Kontaktirajte tehnički servisni odjel tvrtke Ridge Tool na rtctechservices@emerson.com, a u SAD-u i Kanadi nazovite broj (800) 519-3456.

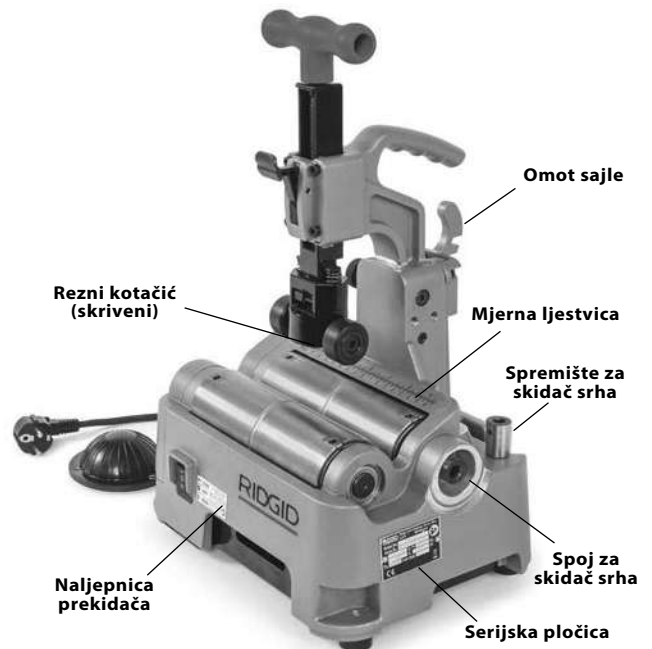
Opis

Električni rezač cijevi RIDGID® PC116/PTC-400 je dizajniran za rezanje metalnih i plastičnih cijevi/vodova nominalne veličine od ½" do 4" (12 do 100 mm).

Sklopka s dvije brzine kontrolira brzinu valjka, a pneumatska nožna sklopka daje kontrolu ON/OFF (UKLJUČIVANJA/ISKLJUČIVANJA) motora. Za mjerenje cijevi je uključena ljestvica. Električni rezač cijevi je lagan i kompaktan za lakoću prijenosa.

Za uklanjanje strugotina iz unutrašnjosti cijevi promjera do 2" (50 mm) dostupan je skidač srha.

Rezač cijevi nije namijenjen za korištenje s buzirom.



Slika 1 – RIDGID® Električni rezač cijevi PC116/PTC-400


Slika 2 – Serijski broj stroja

Serijski broj uređaja nalazi se na bočnoj strani rezača. Posljednje 4 znamenke označavaju mjesec i godinu proizvodnje. (10 = mjesec, 19 = godina).

Tehničke karakteristike

Nominalna veličina cijevi

Kapacitet rezanja ½" do 4" (12 mm do 100 mm)

Stvarni kapacitet rezanja ½" do 4.5" (12 mm do 116 mm)

Materijal cijevi/ voda*	Maksimalna debljina stjenke	Rezni kotačić	
		E-850 Katal. #66938	E-855 Katal. #66943
Čelični kotačić	0.1" (2,5 mm)	X	
Nehrđajući čelik	0.1" (2,5 mm)	X	
Aluminij	0.1" (2,5 mm)	X	
Bakar	0.1" (2,5 mm)		X
Plastika	0.23" (6 mm)		X

* Samo općenita smjernica. Sastav i tvrdoća materijala, te drugi čimbenici, utječu na sposobnost rezanja, trajanje kotača, stvaranje strugotina itd.

Nominalni kapacitet

skidanja srha ½" do 2" (12 mm do 50 mm)
(izborni dodatak)

Maksimalna duljina

cijevi 20' (6m)

Motor

Tip Univerzalni

Napon 100-120V 220-240V

Struja 5,8 A 3,0 A

Frekvencija 50/60 Hz 50/60 Hz

Snaga 705W 705W

Pogledajte serijsku pločicu na proizvodu za specifične informacije o jedinici.

Brzina okretanja valjka 190/363 okr/min za 220-240V,
225/385 okr/min za 100-120V

Kontrolira prekidač I-LOW/O-OFF/II-HIGH
i nožni prekidač za ON/OFF
(UKLJUČENO/ISKLJUČENO)

Težina 32 lbs. (14,5 kg)

Ukupne dimenzije

L x W x H 11.6" x 9.4" x 15.9"
(295 mm x 239 mm x 403 mm)

Radna Temperatura -4°F do 122°F (-20°C do 50°C)

Zvučni tlak (L_{PA})* 82,3 dB(A), K=3

Snaga zvuka (L_{WA})* 93,3 dB(A), K=3

* Mjerenja buke izvršena su u skladu sa standardiziranim testom prema standardu EN 62481-1.

- Emisije buke mogu se razlikovati ovisno o vašoj lokaciji i uporabi tih alata.

- Dnevne razine izloženosti buci moraju se procijeniti za svaku primjenu i po potrebi uz uporabu primjerenih sigurnosnih mjera. Za procjenu razina izloženosti treba uzeti u obzir vrijeme tijekom kojeg je alat ISKLJUČEN i nije u uporabi. To može značajno smanjiti razinu izloženosti tijekom ukupnog razdoblja rada.

Standardna oprema

Pogledajte RIDGID katalog za detalje o opremi koja je isporučena s određenim kataloškim brojem stroja.

NAPOMENA Odabir odgovarajućih materijala i načina ugrađivanja, metode spajanja i formiranja su odgovornost projektanta sustava i/ili montera. Odabir neodgovarajućih materijala može prouzročiti otkazivanje sustava.

Nehrđajući čelik i drugi materijali otporni na koroziju mogu biti zagađeni tijekom ugrađivanja, spajanja i oblikovanja. Ovo zagađenje bi moglo prouzročiti koroziju i prerano otkazivanje. Pomna procjena materijala i postupaka za posebne uvjete servisiranja, uključujući kemikalije i temperaturu, trebala bi se obaviti prije bilo kakva pokušaja ugrađivanja.

Za smanjenje rizika od kontaminacije nehrđajućeg čelika željezom, pazite da su valjci čisti i bez ostataka. Temeljito ih očistite četkom od nehrđajućeg čelika. Zamijenite rezni kotačić i skidač srha prije korištenja s materijalom od nehrđajućeg čelika. Najbolje je odrediti rezač za nehrđajući čelik.

Sastavljanje

⚠ UPOZORENJE

Kako biste smanjili opasnost od teških ozljeda, pridržavajte se sljedećih postupaka sastavljanja opreme. Prekidač bi trebao biti u položaju OFF (ISKLJUČENO), a uređaj iskopčan prije sastavljanja.

Montaža na radni stol

Stroj se može montirati na ravni, stabilni radni stol. Za montažu jedinice na radni stol otpustite gumene nožice na četiri kuta baze stroja (pogledati Sliku 16), pa svornjacima M8 pričvrstite stroj za stol. Čvrsto zategnite.

Provjera prije uporabe

⚠ UPOZORENJE

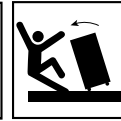


Prije svake uporabe provjerite električni rezač cijevi i ispravite sve probleme kako biste smanjili opasnost od ozbiljnih ozljeda uslijed električnog udara, zaplitanja, gnječenja ili drugih uzroka, te spriječili oštećenje stroja.

1. Pazite da je električni rezač cijevi iskopčan iz struje.
 2. Očistite stroj i opremu, uključujući ručke i kontrole. To olakšava pregled i pomaže u sprječavanju da stroj ili upravljač isklizne iz ruke. Očistite i održavajte uređaj čistim prema uputama za održavanje.
 3. Pregledajte električni rezač cijevi:
 - Pregledajte kabel i utikač za oštećenja ili promjene.
 - Ispravno sastavljanje, održavanje i cjelovitost.
 - Dijelovi koji su slomljeni, istrošeni, nedostaju, nisu u ravnini ili druga oštećenja.
 - Postojanje i rad nožnog prekidača. Potvrdite da je nožni prekidač pričvršćen, u dobrom stanju, da radi ispravno i ne zapinje.
 - Slobodno kretanje ulaznog vijka, reznog kotačića i potpornih valjaka.
 - Postojanje i čitljivost naljepnica za upozorenje i drugih naljepnica (*pogledati Sliku 1*).
 - Pregledajte jesu li oštrice reznog kotačića i skidača srha istrošene, izobličene, odlomljene ili nešto slično. Tupi, oštećeni ili labavi rezači mogu oštetiti alat, dovesti do reza loše kvalitete i povećati rizik od ozljeda.
 - Ako koristite postolje (postolja) PC116TS, čistite, pregledavajte i podmazujte prema potrebi.
 - Sva stanja koja mogu spriječiti siguran i normalan rad.
- Ukoliko problemi postoje, ne koristite alat dok se problemi ne otklone.
4. Pregledavajte i održavajte svu ostalu opremu koja se koristi prema odgovarajućim uputama kako biste se uvjerali da radi ispravno.

Podešavanje uređaja i radnog područja

⚠ UPOZORENJE



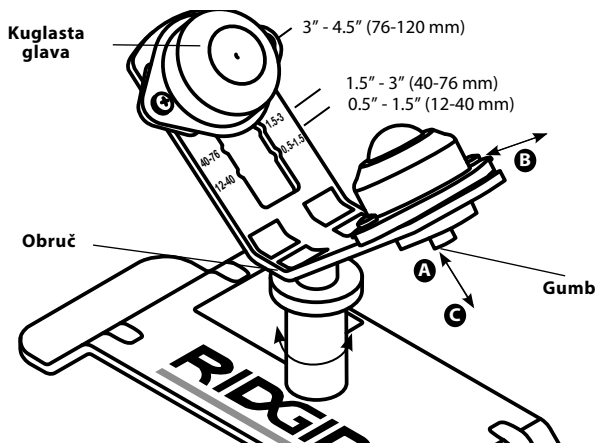
Podesite električni rezač cijevi i radno područje sukladno ovim postupcima kako biste smanjili opasnost od ozbiljnih ozljeda uslijed električnog udara, zaplitanja, gnječenja ili drugih uzroka, te spriječili oštećenje stroja.

1. Na radnom mjestu provjerite sljedeće:
 - Odgovarajuće osvjetljenje.
 - Nikakve zapaljive tekućine, pare ili prašina koja može planuti. Ako otkrijete nešto od navedenog, nemojte raditi u tom području dok ne prepoznate i otklonite problem. Rezač nije otporan na eksplozije i može uzrokovati iskre.
 - Čisto, ravno, stabilno, suho mjesto za svu opremu i rukovatelja.
 - Pravilno uz uzemljena električna utičnica ispravnog napona. Provjerite serijsku pločicu stroja za traženi napon. Tri šiljka ili GFCI izlaz možda nisu pravilno uzemljeni. Ako sumnjate u ispravnost utičnice, obratite se ovlaštenom električaru.
2. Pregledajte posao koji trebate obaviti. Utvrdite materijal, vrstu i veličinu cijevi. Odredite odgovarajuću opremu za prema poslu. *Pogledajte odjeljak Specifikacije.*
3. Potvrdite da je sva oprema koja će se koristiti pravilno pregledana i sastavljena.
4. Stroj postavite na ravnu i čvrstu površinu. Pogledajte "Montaža na radni stol" u odjeljku Sastavljanje. Potvrdite da je jedinica stabilna i učvršćena.
5. Ako se cijev proteže dulje od 6" (15 cm) izvan stroja, upotrijebite jedno ili više odgovarajućih postolja kao potporu za cijev. Postavite postolja u ravnini s valjcima. Dulje cijevi će možda trebati više od jednog postolja. Koristite samo postolja dizajnirana za ovu svrhu. Nepravilna postolja za cijevi ili podupiranje cijevi rukom mogu uzrokovati ozljede zbog prevrtanja ili zaplitanja. Nemojte prekoračiti naznačeni kapacitet postolja. Kad su rezač i postolja u istoj ravnini, kao potporu za cijev koristite postolja za cijev RIDGID PC116TS.

Ako radite na radnom stolu ili na drugom izdignutom radnom području, za podršku cijevi se mogu koristiti postolja za cijevi RIDGID. Ako PC116/PTC-400 koristite na tlu, kao potporu za cijev koristite postolja za cijev RIDGID PC116TS. *Vidjeti Sliku 3.*



Slika 3 - Postavljanje postolja



Slika 4 – PC116TS Prilagođavanje postolja

PC116TS Postolje/Prilagođavanje

Postolje PC116TS je izborni dodatak dizajniran za korištenje s rezačem PC116/PTC-400 i nije namijenjeno za druge svrhe.

Za prilagodbu kuglastih glava za veličinu cijevi:

- Pritisnite gumb **A**
- Pomjerite kuglastu glavu na ispravan položaj za veličinu cijevi (vidjeti Sliku 4) **B**
- Pustite gumb – provjerite čvrsto smještanje **C**

Za podešavanje visine postolja okrenite obruč kako biste podigli ili spustili glavu postolja. Postolje je dizajnirano za postavljanje na istu ravnu površinu kao i rezač PC116/PTC-400. Vidjeti Sliku 3. Po potrebi se za podizanje postolja mogu koristiti prikladne razmaknice (primjerice komad drveta).

- Ograničite pristup ili postavite zaštite ili barikade kako biste osigurali minimalno 3 stope (1 m) razmaka oko stroja

i cijevi. To pomaže spriječiti da osobe koji ne upravljaju strojem dolaze u dodir sa strojem ili cijevi i smanjuje rizik od prevrtanja ili zaplitanja.

- Postavite nožni prekidač kako je prikazano na *Slici 8* kako biste omogućili ispravan radni položaj.
- Dok je prekidač u položaju O-OFF (ISKLJUČENO), razvucite kabel preko čiste putanje. Suhim rukama ukopčajte kabel za napajanje u pravilno uzemljenu utičnicu. Pazite da svi priključci budu na suhom i podignuti sa zemlje. Ako strujni kabel nije dovoljno dugačak, koristite produžni kabel koji:
 - Je u dobrom stanju.
 - Ima trokraki utikač poput onoga na električnom rezaču cijevi.
 - Označen je za upotrebu na otvorenom.
 - Ima dostatnu veličinu žice. Za produžne kabele duljine do 50' (15,2 m) koristite 14 AWG (2,5 mm²) ili jače. Za produžne kabele duljine od 50'-100' (15,2 m - 30,5 m) koristite 12 AWG (2,5 mm²) ili jače.
- Provjerite ispravan rad električnog rezača cijevi. Čistim rukama:
 - Pomjerite prekidač za brzinu u položaj I-LOW. Pritisnite i otpustite nožni prekidač. Valjci bi se trebali okretati kako je prikazano strelicama na *Slici 5*. Ako se stroj ne okreće u pravom smjeru ili ako nožni prekidač ne kontrolira rad stroja, nemojte koristiti stroj dok se ne popravi.
 - Pritisnite i držite nožni prekidač. Provjerite pokretne dijelove na nepravilnost, vezivanje, čudne zvukove ili druge neuobičajene uvjete. Skinite nogu s nožnog prekidača. Ako su pronađeni neobični uvjeti, nemojte koristiti stroj dok se ne popravi.



Slika 5 – Smjer okretanja valjaka

- Pomaknite prekidač za brzinu u položaj O-OFF (ISKLJUČENO) i suhim rukama odspojite stroj.

Radne upute

⚠ UPOZORENJE



Nemojte nositi rukavice ili široku odjeću dok radite s električnim rezačem cijevi. Neka rukavi i jakne budu zakaopčani. Nemojte posezati preko stroja. Odjeća može biti zahvaćena strojem, što može dovesti do zapletaja.

Držite ruke podalje od okretnih dijelova, poput valjaka, skidača srha, reznog kotačića i cijevi. Dozvolite da se dijelovi potpuno zaustave prije korištenja alata ili cijevi. Ovakva praksa smanjit će vjerojatnost zaplitanja u okretne dijelove.

Ispravno poduprite cijevi. To će smanjiti rizik od udara i ozljeda od nagnječenja zbog prevrtanja i padanja cijevi ili opreme.

Jedna osoba mora upravljati radnim procesom i nožnim prekidačem. Dok stroj radi u radnom se okruženju smije nalaziti samo rukovatelj. To pomaže smanjiti opasnost od ozljede.

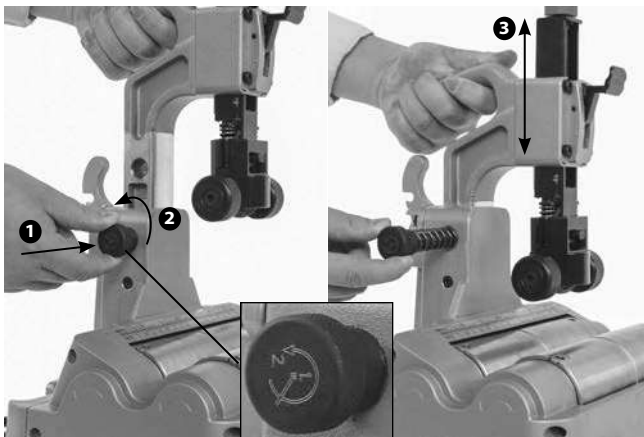
Slijedite upute za rad kako biste smanjili opasnost od ozbiljnih ozljeda uslijed električnog udara, zaplitanja, gnječenja ili drugih uzroka, te spriječili oštećenje stroja.

Osigurajte da su uređaj i radno područje odgovarajuće podešeni, te da u radnom području nema promatrača i drugih smetnji. Operater treba biti jedina osoba u prostoru dok stroj radi.

Podešavanje rezača za različite veličine cijevi

Brza prilagodba promjene veličine

Brzo podešavanje veličine služi za brzo prilagođavanje i prelazak između različitih veličina cijevi od 2" (50 mm) i manje, te od 2" do 4" (50 mm do 100 mm).



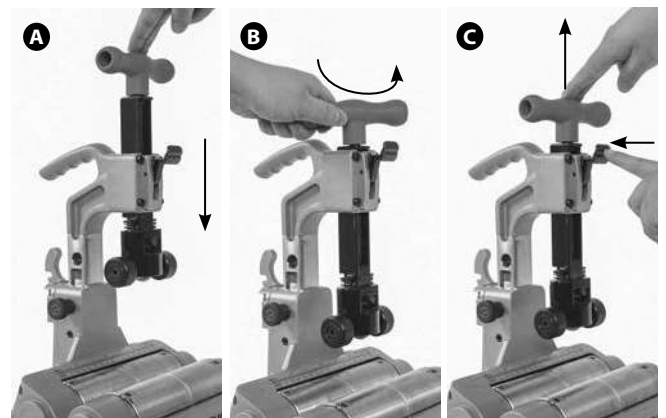
Slika 6 – Brza prilagodba promjene veličine

1. Bez cijevi u rezaču obuhvatite dršku i otpustite klin tako da lagano pritisnete ručku ① i malo okrenete obrnuto od kazaljke na satu ②. Ručka ima oprugu pa će se uvući, kontrolirajte kretanje ručke. *Vidi sliku 6.*
2. Drškom pomjerite glavu u željeni položaj ③.
3. Umetnite ručku za brzo prebacivanje kako bi glava ostala na mjestu.

Brzo podešavanje ulaznog rezača

Ovo brzo podešavanje ulaznog rezača se koristi za izvlačenje i uvlačenje reznog kotačića tijekom rezanja.

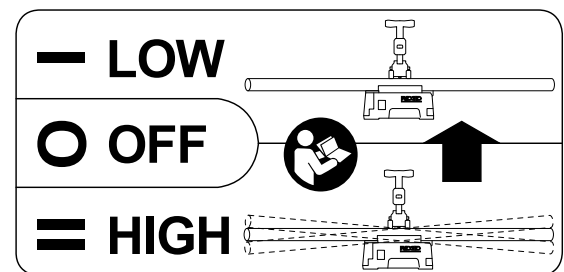
1. Za izvlačenje reznog kotačića pritisnite ručku (Slika 7A) dok ne zahvati cijev.
2. Za uvlačenje reznog kotačića otpustite ručku/ulazni vijak za 1-2 okreta (Slika 7B) i pritisnite otpuštanje (Slika 7C) kako bi se mogao uvući (ima oprugu – kontrolirajte kretanje drške).



Slika 7 – Brzo uvlačenje: A-Uvlačenje, B-Otpuštanje, C-Izvlačenje

Odabir/promjena radne brzine

Električni rezač ima dvije radne brzine – LOW (NISKU) i HIGH (VISOKU), pogledati Sliku 8.



Slika 8 – Najlepnicica za brzinu

LOW (NISKA) brzina (postavka prekidača I-Low). To smanjuje opasnost od vibracije i osciliranja cijevi tijekom korištenja.

Preporučuje se za cijevi promjera 2" (50 mm) i manje, te duljih od 6.5' (2 m)

HIGH (VISOKA) brzina (postavka prekidača I-High). To će skratiti vrijeme rezanja.

Za cijevi promjera iznad 2" (50 mm) i bilo koje duljine

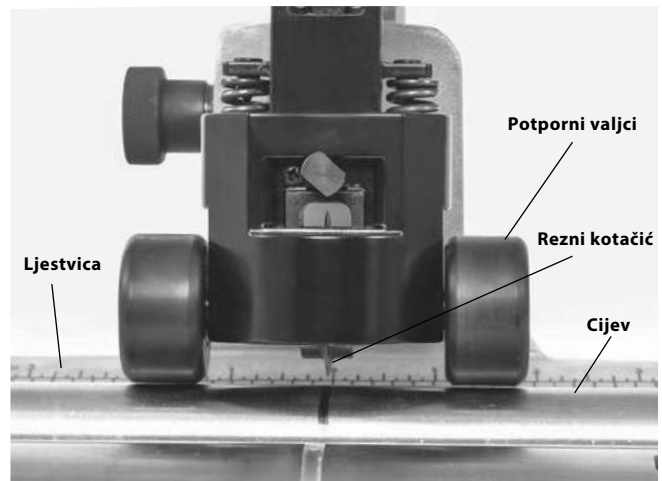
Za sve cijevi kraće od 6.5' (2 m)

Vibriranje i oscilacija cijevi ovise o nizu čimbenika, poput duljine, veličine, težine i ravnosti cijevi, poravnavanja postolja, brzine valjaka itd. Ako u nekom trenutku osjetite da cijev previše vibrira ili oscilira, pustite nožni prekidač. Ako je brzina na II-High, prebacite na I-Low i pokušajte ponovno. Ako je brzina na I-Low, prijedite na drugu metodu rezanja za taj komad, poput ručnog rezača.

Za promjenu brzina otpustite nožnu sklopku i pustite da se rezač posve zaustavi. Pomjerite prekidač u željeni položaj. Nemojte mijenjati radnu brzinu dok stroj radi.

Rezanje cijevi

1. Provjerite da cijev nije vidljivo svinuta i da nema fitinge. Rezanje svinutih cijevi ili cijevi s fitinzima može uzrokovati pretjerano vibriranje i gubitak kontrole. Po potrebi koristite ručni rezač. Označite cijev na željenu duljinu. Zbog praktičnosti je na stroju dana mjerna ljestvica.
2. Po potrebi podesite raspon veličine za električni rezač cijevi brzom prilagodbom promjene veličine.
3. Postavite cijev na valjke tako da se oznaka za rezanje nalazi ispod reznog kotačića, na oznaci nule na ljestvici. Ako se cijev proteže izvan stroja, postavite potporu ispod cijevi. Potpore treba podesiti tako da cijev pravokutno sjeda na valjke. To će osigurati ispravno praćenje reza. Vidjeti Sliku 3.
4. Zauzmite ispravan radni položaj kako biste pomogli u kontroli stroja i cijevi (*pogledati Sliku 10*):
 - Pazite da imate dobar pristup alatima i prekidaču.
 - Budite sigurni da možete upravljati nožnim prekidačem. Nemojte stajati na nožni prekidač još. U slučaju nužde morate moći otpustiti nožni prekidač.
 - Budite sigurni da imate dobru ravnotežu i da se ne morate previše istezati.
5. Izvucite sustav za brzi ulaz dok potporni valjci ne dodirnu cijev (*Slika 9*). Poravnajte rezni kotačić s oznakom na cijevi. Zategnite ulazni vijak kako bi rezni kotačić dodirnuo cijev. Kad rezni kotačić dodirne cijev, izvucite ulazni vijak dalje još za 1 do 1½ okretaj kako bi obuhvatio cijev. Nemojte previše izvući ulazni vijak, to može spljoštiti cijev i povećati stvaranje strugotina.



Slika 9 – Potporni valjci dotiču cijev

6. Pomjerite prekidač I-Low/O-OFF/II-High u odgovarajući položaj za cijev koja se reže
7. Pritisnite nožni prekidač. Valjci i cijev će se početi okretati. Držite ruke podalje od okretnih dijelova.



Slika 10 – Rezanje cijevi

8. Izvucite ulazni vijak polaganim i neprestanim zatezanjem ulaznog vijka dok se cijev ne izreže. Agresivno rezanje može oštetiti rezni kotačić i uzrokovati previše strugotina. Održavajte kontakt između potpornih valjaka i cijevi kako bi se cijev zadržala na mjestu.

Ako se cijev tijekom rezanja počne uvijati, prekinite rezanje i provjerite postav stroja, osobito poravnanje postolja za cijev. Različiti materijali cijevi mogu zahtijevati manje dodatno zatezanje ulaznog vijka kako bi se poboljšalo praćenje.

9. Skinite nogu s nožnog prekidača. Zatim pomjerite prekidač I-Low/O-OFF/I-High u položaj O-OFF (ISKLUČENO).
10. Kad se cijev prestane okretati, otpustite ulazni vijak 1-2 okretaja i pritisnite otpuštanje kako biste posve uvukli rezni kotačić. Uklonite cijev.

Skidanje srha s cijevi



Slika 11 – Instalacija skidača srha

1. Postavite prekidač I-Low/O-OFF/I-High u položaj O-OFF (ISKLUČENO).
2. Uklonite skidač srha s položaja za pohranu i postavite ga u položaj za korištenje kako je prikazano na *Slici 11*. Potvrdite da je skidač srha ispravno montiran.
3. Pomjerite prekidač I-Low/O-OFF/I-High u položaj I-Low.
4. Pritisnite nožni prekidač. Držite ruke podalje od krajeva cijevi i okretnih dijelova.
5. Čvrsto obuhvatite cijev. Ispravno poduprite cijev kako biste zadržali kontrolu.
6. Postavite cijev preko stošca skidača srha i nježno pritisnite (*Slika 12*) kako biste uklonili strugotine iz unutrašnjosti cijevi. Nemojte gurati cijev u skidač srha, zbog toga skidač srha može uhvatiti cijev i vrtjeti je u vašim rukama.



Slika 12 – Skidanje srha s cijevi

7. Skinite nogu s nožnog prekidača.
8. Postavite prekidač I-Low/O-OFF/I-High u položaj O-OFF (ISKLUČENO).
9. Izvadite skidač srha iz položaja za korištenje i vratite ga u položaj za pohranu.

Transport

1. Uklonite ili učvrstite svu labavu opremu i materijal iz stroja prije pomicanja kako biste spriječili padanje i prevrtanje.
2. Postavite rezni kotačić u donji položaj.
3. Omotajte strujni kabel i crijevo za nožni prekidač oko kuke za kabel i učvrstite, kako je prikazano na *Slici 13*.
4. Podignite drškom. Budite pažljivi tijekom podizanja i pomjeranja. Budite svjesni težine stroja.



Slika 13 – Omotan kabel/crijevo

Skladištenje

⚠ UPOZORENJE Električni rezač cijevi mora se držati suhim i u zatvorenom prostoru ili dobro pokrivenim na otvorenom prostoru. Skladištite stroj u zaključanom prostoru izvan doseg djece i osoba koje nisu upoznate s električnim rezačem cijevi. Ovaj stroj može izazvati ozbiljne ozljede na rukama korisnika koji nisu obučeni.

Upute za održavanje

⚠ UPOZORENJE

Provjerite da je prekidač u položaju O-OFF (ISKLJUČENO) i da je stroj isključen prije obavljanja bilo kakvih radova održavanja ili podešavanja.

Rezač održavajte u skladu s ovim postupcima kako bi se smanjio rizik ozljede uslijed električnog udara, zaplitanja ili drugih uzroka.

Čišćenje

Nježno očistite stroj nakon svakog korištenja čistom i suhom krpom. Valjke držite čistima i bez prljavštine i ostataka.

Skidač srha držite čistim i bez komadića za maksimalnu učinkovitost.

Očistite prašinu i ostatke iz otvora motora.

Podmazivanje

Mjesečno (ili češće ako je to potrebno) podmažite sve izložene dijelove električnog rezača cijevi i postolja za PC116TS (primjerice ulazni vijak, sustav za brzi ulaz, valjke i točke sidrenja) laganim uljem za podmazivanje. Obrišite višak ulja s izloženih površina.

Izmjena reznog kotačića

Za ispravan odabir reznog kotačića pogledajte *Specifikacije*. Zamijenite rezni kotačić kad režete različite materijal, zamijenite rezni kotačić kad mu se rezni rub odlomi ili izravna. Dodatni će rezni kotačić biti spremljen na jedinici. Vidi sliku 13.

1. Uklonite povezni klin. Držač kotača će slobodno pasti (Slika 14).



Slika 14 – Uklanjanje držača kotača

2. Uklonite zatik kotačića i rezni kotačić/nosač (Slika 15).
3. Pregledajte nosač. Nosač bi se trebao slobodno kretati. Po potrebi zamijenite.
4. Obrnite proces za instalaciju reznog kotačića.



Slika 15 – Izmjena reznog kotačića

Zaštita motora od prekomjerne struje

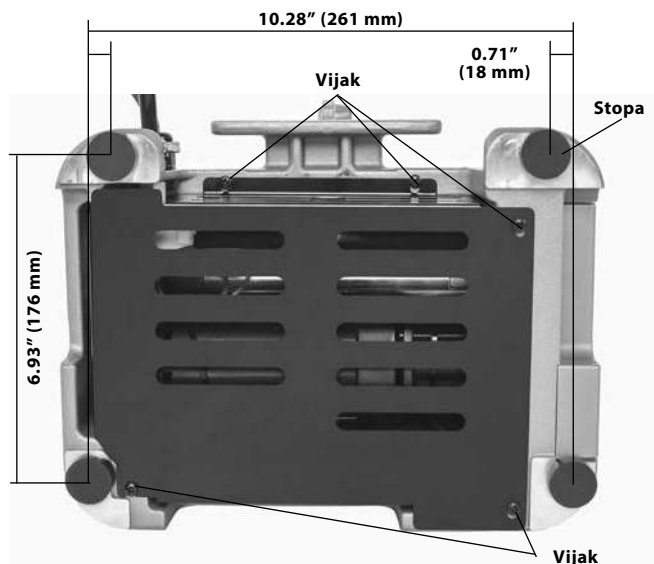
Rezač je opremljen zaštitom od prekomjerne struje koja isključuje stroj ako povuče previše struje kako bi zaštitila motor.

Ako se stroj iznenada isključi, pustite nožni prekidač. Postavite prekidač u položaj O-OFF (ISKLJUČENO) i iskopčajte stroj. Uklonite cijev iz stroja. Slijedite odjeljke Pregled prije uporabe i Podešavanje uređaja i radnog područja kako biste potvrdili da stroj ispravno radi.

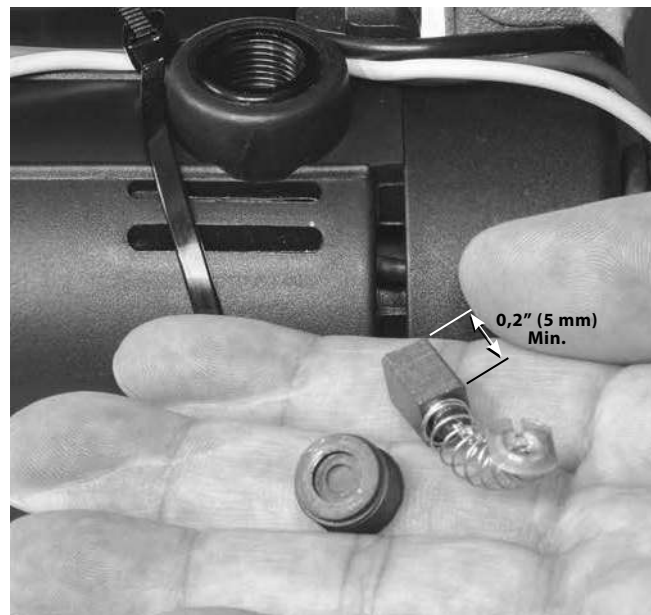
Izmjena četkica motora

Četkice motora provjeravajte svakih šest mjeseci, četkice bi trebalo zamijeniti ako im je duljina ispod 5 mm (0.2").

1. Provjerite da je prekidač u položaju O-OFF (ISKLJUČENO) i da je stroj iskopčan.
2. Otpustite pet vijaka koji drže poklopac dna (Slika 16) i skinite poklopac (Neki će vijci ostati na poklopcu).
3. Odvijačem otpustite i uklonite zatvarače četkica (Slika 17). Pažljivo uklonite čelične četkice i provjerite duljinu (Slika 18). Ako je duljina četkice ispod 5 mm (0.2"), zamijenite četkice.
4. Umetnite četkicu u držač četkice, ispravno poravnajući jezičce četkica s utorima na držaču četkice.
5. Dobro zategnite zatvarače četkica. Vratite donji poklopac.
6. Kad se stroj ponovno sastavi, pustite da pet minuta radi na brzini II-High bez cijevi u stroju kako bi se četkice razradile.

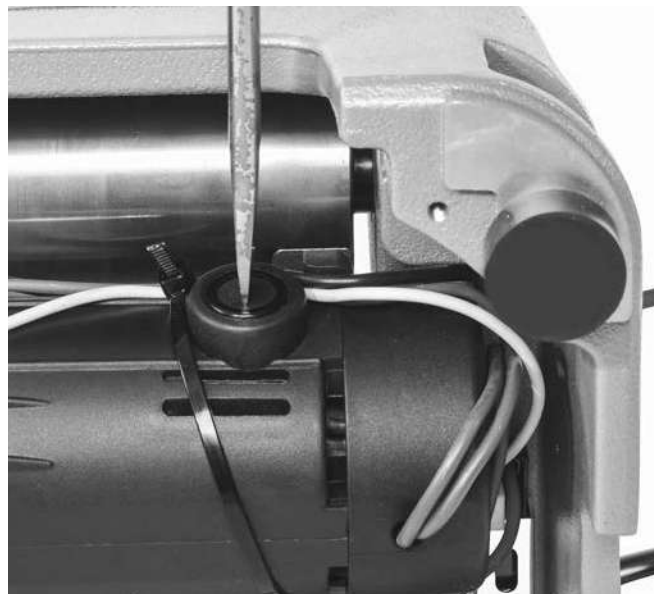


Slika 16 – Vijci za donji poklopac



Slika 18 – Pregledajte duljinu četkica

Skenirajte donji QR kod kako biste pristupili literaturi i video-zapisu za PC116/PTC-400.



Slika 17 – Uklanjanje zatvarača četkice

Otklanjanje grešaka

PROBLEM	MOGUĆI RAZLOZI	RJEŠENJE
Pretjerana vibracija tijekom rada.	Pogrešna radna brzina.	Pogledajte <i>Odabir radne brzine</i> .
	Rezanje svinute cijevi.	Nemojte rezati vidljivo svinute cijevi. Koristite ručni rezač.
	Duga cijev nije ispravno poduprta.	Poduprite dugu cijev postoljima za cijevi.
	Stroj nije ispravno montiran.	Ispravno montirajte stroj na ravnu površinu i učvrstite svornjacima za montažu.
Stroj ne reže cijevi ispravno.	Istrošen rezni kotačić.	Zamijenite istrošen rezni kotačić.
	Korištenje na neispravnoj veličini ili materijalu cijevi.	Koristite na ispravnoj vrsti cijevi (pogledati <i>Specifikacije</i>).
Stroj zapinje pri rezanju.	Agresivno uvlačenje reznog kotačića tijekom rezanja.	Polako uvlačite rezni kotačić.
Stroj ne radi.	Četkice motora su istrošene.	Postavite nove četkice motora.
	Aktivirana zaštita od prekomjerne struje.	<i>Slijedite upute za Pretjeranu struju motora u odjeljku Održavanje.</i>
Pretjerano stvaranje strugotina na cijevi ili izobličenje kraja.	Istrošen ili oštećen rezni kotačić.	Zamijenite rezni kotačić.
	Agresivno uvlačenje reznog kotačića tijekom rezanja.	Polako uvlačite rezni kotačić.
Stroj se zaustavlja dok je pritisnut nožni prekidač. Pokreće se kad se nožni prekidač ponovno pritisne.	Rupa u nožnom prekidaču/crijevu.	Zamijenite nožni prekidač.
	Prekidač za zrak curi.	Ako na nožnom prekidaču/crijevu ne pronađete probleme, zamijenite prekidač za zrak.

Servisiranje i popravak

⚠ UPOZORENJE

Pogrešnim servisiranjem i popravcima alat može postati nesiguran za rad.

The *Upute za održavanje* vode računa o većini servisnih potreba ovog uređaja. Probleme koji nisu navedeni u ovom odjeljku trebaju rješavati isključivo neovisni RIDGID servisni centri. Koristite je isključivo RIDGID servisne dijelove.

Za informacije o najbližem RIDGID neovisnom servisnom centru ili bilo koje pitanje o servisu ili popravku, *pogledajte odjeljak Informacije za kontakt* u ovom priručniku.

Neobavezna oprema

⚠ UPOZORENJE

Kako biste smanjili opasnost od teške ozljede, upotrijebite samo dodatnu opremu posebno projektiranu i preporučenu za uporabu sa električnim rezačem cijevi RIDGID PC116/PTC-400, poput dolje navedene.

Kataloški br.	Opis
64903	Postolje za cijev PC116TS za korištenje s modelom PC116/PTC-400
66253	Čelična četkica za motor PC116 220-240V
66248	Čelična četkica za motor PC116 100-120V
56662	VJ-99 28" - 52" Visoko postolje za cijev s V glavom
64908	137S Skidač srha za PC116/PTC-400
66938	E850 Rezni kotačić (za metalne cijevi)
66943	E855 Rezni kotačić (za plastične cijevi)
64898	Nosač reznog kotačića

Za potpuni popis dostupne RIDGID opreme za ove alate pogledajte Ridge katalog alata na RIDGID.com ili *pogledajte Informacije za kontakt*.

Zbrinjavanje

Dijelovi ovih alata sadržavaju vrijedne materijale i možete ih reciklirati. Pronađite lokalne tvrtke koje se bave recikliranjem. Zbrinite dijelove u skladu sa svim primjenjivim zakonskim uredbama. Kontaktirajte s lokalnom institucijom za upravljanje otpadom za više informacija.



Za države iz EZ: Ne odlažite električnu opremu zajedno s kućnim otpadom!

U skladu s Europskom smjernicom 2012/19/EU o električnoj i elektroničkoj opremi koja predstavlja otpad i njezinom primjenom u nacionalnom zakonodavstvu, električnu opremu koju više ne možete upotrijebiti morate odvojeno prikupljati i odlagati na odgovarajući, ekološki prihvatljiv način.

PC116/PTC-400 Električni cevni rezalec



⚠ OPOZORILO!

Pred uporabo orodja pozorno preberite ta uporabniški priročnik. Nerazumevanje in neupoštevanje vsebine tega priročnika lahko povzroči električni udar, požar in/ali hude telesne poškodbe.

PC116/PTC-400 Električni cevni rezalec

Serijsko številko zapišite spodaj in shranite serijsko številko izdelka, ki jo najdete na oznaki z imenom.

Serijska št.

--	--

Kazalo vsebine

Obrazec za vpis serijske številke naprave	295
Varnostni simboli	297
Splošna varnostna opozorila za električno orodje	297
Varnost delovnega območja	297
Električna varnost	297
Osebna varnost	298
Uporaba in nega električnega orodja	298
Servisiranje	298
Posebne varnostne informacije	298
Kontaktne podatki RIDGID	299
Opis	299
Tehnični podatki	300
Standardna oprema	300
Sestavljanje	300
Montaža na mizo	300
Pregled pred uporabo	301
Nastavitev naprave in delovnega območja	301
Stojalo PC116TS/nastavitev	302
Navodila za uporabo	303
Prilagajanje rezalca za različne velikosti cevi	303
Izbira/spreminjanje hitrosti delovanja	303
Rezanje cevi.....	304
Povrtavanje cevi	305
Prevoz	305
Skladiščenje	305
Navodila za vzdrževanje	306
Čiščenje	306
Mazanje	306
Menjava rezalnega kolesca	306
Zaščita motorja pred prekomernim tokom	306
Menjava krtačk motorja.....	306
Odpravljanje napak.....	308
Servisiranje in popravilo	308
Dodatna oprema	308
Odstranjevanje	309
Izjava o skladnosti ES	Za zadnjim pokrovom
Dosmrtna garancija	Zadnja platnica

* Prevod izvirnih navodil

Varnostni simboli

V tem uporabniškem priročniku in na izdelku se uporabljajo varnostni simboli ter signalne besede za posredovanje pomembnih varnostnih informacij. V tem poglavju boste spoznali pomen teh signalnih besed in simbolov.



To je simbol za varnostno opozorilo. Uporablja se za opozarjanje na tveganje telesnih poškodb. Upoštevajte vsa varnostna sporočila, ki sledijo temu znaku, da se izognete morebitnim telesnim poškodbam ali smrti.

⚠ NEVARNOST NEVARNOST pomeni nevarno situacijo, ki bo povzročila smrt ali hudo telesno poškodbo, če se ji ne izognete.

⚠ OPOZORILO OPOZORILO pomeni nevarno situacijo, ki bi lahko povzročila smrt ali hudo telesno poškodbo, če se ji ne izognete.

⚠ PREVIDNOST PREVIDNOST pomeni nevarno situacijo, ki bi lahko povzročila manjše ali srednje telesne poškodbe, če se ji ne izognete.

OPOMBA OPOMBA pomeni informacijo, ki se nanaša na zaščito lastnine.



Ta simbol vas opozarja, da pred začetkom uporabe opreme skrbno preberite uporabniški priročnik. Uporabniški priročnik vsebuje pomembne informacije o varni in pravilni uporabi naprave.



Ta simbol pomeni, da je treba pri uporabi ali delu s to opremo vedno uporabljati varnostna očala s stranskimi ščitniki ali naočnike, da zmanjšate nevarnost poškodbe oči.



Ta simbol pomeni nevarnost električnega udara.



Ta simbol pomeni nevarnost, da se roke, prsti ali drugi telesni deli ujamejo, zapletejo ali zmečkajo v valjčkih ali drugih gibljivih delih.



Ta simbol označuje tveganje ureznin zaradi vrtljivih ali gibljivih delov na dlaneh, prstih ali drugih delih telesa.



Ta simbol označuje nevarnost prevračanja naprave, kar bi lahko povzročilo poškodbe zaradi udarcev ali zmečkanja.



Simbol pomeni, da med delom s to napravo ne nosite rokavic, da zmanjšate tveganje zapletanja.

Splošna varnostna opozorila za električno orodje*

⚠ OPOZORILO

Preberite vsa varnostna opozorila, navodila, ilustracije in specifikacije, ki so priložene električnemu orodju. Neupoštevanje vseh spodaj navedenih navodil lahko povzroči električni udar, požar in/ali hude telesne poškodbe.

VSA OPOZORILA IN NAVODILA SHRANITE ZA NADALJNJO UPORABO!

Izraz "električno orodje" v opozorilih se nanaša na vaše električno orodje (povezano z električnim kablom), ki je napajano iz električnega omrežja, ali na električno orodje z baterijo (brez kabla).

Varnost delovnega območja

- **Delovni prostor naj bo čist in dobro osvetljen.** Neurejeni ali slabo osvetljeni delovni prostori povečujejo verjetnost nesreče.
- **Električnih orodij ne uporabljajte v eksplozivnih atmosferah, npr. v prisotnosti vnetljivih teko in, plinov ali prahu.** Električna orodja ustvarjajo iskre, zaradi katerih se lahko vnamejo prah ali hlapi.

- **Med uporabo električne naprave naj se otroci in druge osebe ne približujejo.** Zaradi motenj ob delu lahko izgubite nadzor nad orodjem.

Električna varnost

- **Vtiči električnega orodja morajo ustrezati vtičnici. Vtiča nikoli na noben način ne spreminjajte. Vtičev prilagojevalnika ne uporabljajte z ozemljenimi električnimi orodji.** Nespremenjeni vtiči in ustrezne vtičnice zmanjšajo nevarnost električnega udara.
- **Preprečite telesni kontakt z ozemljenimi površinami, kot so na primer cevi od radiatorja, hladilnika.** Če je vaše telo ozemljeno, za vas obstaja večja nevarnost električnega udara.
- **Električnega orodja ne izpostavljajte dežju in vlažnim pogojem.** Voda, ki prodre v električno orodje, poveča tveganje električnega udara.
- **S kablom ne ravnajte nasilno. Kabla nikoli ne uporabljajte za prenašanje ali vlečenje oz. za izklop električnega orodja. Kabla ne izpostavljajte vročini, olju, ostrim robovom ali premikajočim se delom.** Poškodovani ali zapleteni kabli povečajo tveganje električnega udara.
- **Med uporabo električnega orodja na prostem uporabljajte samo podaljške, ki so primerni za uporabo na**

* Besedilo, ki je navedeno v razdelku Splošna varnostna pravila za električno orodje, je dobesedno prepisano iz ustrezne izdaje standarda UL/CSA/EN 62841-1. Ta razdelek vsebuje splošne varnostne ukrepe za različne vrste električnih orodij. Vsi previdnostni ukrepi se ne nanašajo na vsa orodja, nekateri pa ne veljajo za to orodje.

prostem. Uporaba kabla, primerne za uporabo na prostem, zmanjšuje tveganje električnega udara.

- **Če se ne morete izogniti uporabi električnega orodja na vlažnem mestu, uporabite stikalo za zemljostično zaščito (GFCI).** Uporaba zemljostične zaščite (GFCI) zmanjšuje tveganje električnega udara.

Osebna varnost

- **Med uporabo električnega orodja bodite pazljivi, pozorni in delajte z glavo. Električnega orodja ne uporabljajte, če ste utrujeni ali ste pod vplivom drog, alkohola ali zdravil.** Trenutek nepozornosti med uporabo električnega orodja lahko povzroči hude telesne poškodbe.
- **Uporabljajte osebno zaščitno opremo. Vedno nosite zaščitna očala.** Zaščitna oprema, kot so zaščitna maska za prah, zaščitni čevlji z nedrsečim podplatom, zaščitna čelada ali zaščita sluha, ki jo uporabljate skladno z razmerami, zmanjša tveganje telesnih poškodb.
- **Izogibajte se nenamernemu vklopu orodja. Prepričajte se, da je stikalo izklopljeno, preden orodje priključite na vir napajanja in/ali akumulator, ga poberete ali prenašate.** Do nesreče lahko pride, če imate med prenašanjem električnega orodja prste na stikalo ali če priključite napajanje orodij z vključenim stikalom.
- **Pred VKLOPOM električnega orodja odstranite vse nastavitvene ključe ali izvijač.** Izvijač ali ključ, ki ga pustite pritrjenega na vrtljiv del električnega orodja, lahko povzroči telesne poškodbe.
- **Ne stegujte se. Vedno skrbite, da stojite stabilno in imate dobro ravnotežje.** Tako boste imeli v nepredvidljivih situacijah boljši nadzor nad električnim orodjem.
- **Bodite primerno oblečeni. Ne nosite ohlapnih oblačil in nakita. Lase in oblačila imejte varno oddaljene od premikajočih se delov.** Ohlapna oblačila, nakit ali dolgi lasje se lahko ujamejo v premikajoče se dele.
- **Če lahko namestite sesalnike in zbiralnike za prah, se prepričajte, da so ti priključeni in pravilno uporabljeni.** Uporaba zbiralnikov za prah lahko zmanjša tveganja zaradi prahu.
- **Ne dovolite, da bi seznanjenost zaradi pogoste uporabe orodij povzročila, da postanete samozadovoljni in prezrete varnostna načela orodja.** Nepredvidno dejanje lahko povzroči hude telesne poškodbe v delčku sekunde.

Uporaba in nega električnega orodja

- **Z električnim orodjem ne ravnajte s silo. Uporabljajte električno orodje, ki je primerno za vaše delo.** Pravilno izbrano električno orodje bo delo opravilo hitreje in varneje s hitrostjo, za katero je zasnovano.

- **Če s stikalom ne morete VKLOPITI in IZKLOPITI električnega orodja, orodja ne uporabljajte.** Vsako električno orodje, ki ga ne morete krmiliti s stikalom, je nevarno in ga je treba popraviti.
- **Izvalcite vtič iz vtičnice in/ali odstranite komplet baterij, če se lahko odstrani, iz električnega orodja preden kar koli prilagodite, zamenjate pripomočke ali električno orodje shranite.** S tovrstnimi preventivnimi varnostnimi ukrepi boste zmanjšali tveganje nenamernega vklopa električnega orodja.
- **Električno orodje, ki ga ne uporabljate, hranite izven dosega otrok in ne dovolite, da bi orodje uporabljale osebe, ki električnega orodja ne poznajo ali ki niso prebrale teh navodil.** Električna orodja so nevarna, če jih uporabljajo neizkušene osebe.
- **Električno orodje redno vzdržujte. Preverite, ali so gibljivi deli orodja pravilno nameščeni in se ne zatikajo. Preverite tudi, ali je kateri izmed delov pokvarjen, in bodite pozorni na vsa druga stanja električnega orodja, ki lahko vplivajo na njegovo delovanje. Če je električno orodje poškodovano, ga pred uporabo obvezno popravite.** Številne nesreče so posledica slabo vzdrževanih električnih orodij.
- **Rezalna orodja naj bodo ostra in čista.** Pravilno vzdrževana rezalna orodja z ostrimi rezili se manjkrat zataknejo in jih je lažje upravljati.
- **Električno orodje, dodatno opremo, nastavke itd. uporabljajte skladno s temi navodili, pri tem pa upoštevajte delovne pogoje in delo, ki ga morate opraviti.** Uporaba električnega orodja v namene, druga ne od tistih, za katere je orodje predvideno, lahko povzroči nevarne situacije.
- **Ročaje in prijemne površine vzdržujte suhe, čiste in razmaščene.** Spolzki ročaji in prijemne površine ne omogočajo varnega ravnanja in nadzora orodja v nepričakovanih situacijah.

Servisiranje

- **Vaše električno orodje naj popravlja samo usposobljen strokovnjak in pri tem uporablja samo originalne nadomestne dele.** Tako bo vaše električno orodje ostalo varno za uporabo.

Posebne varnostne informacije

⚠ OPOZORILO

To poglavje vsebuje pomembna varnostna navodila, značilna za to orodje.

Pred uporabo PC116/PTC-400 električnega cevnega rezalca pazljivo preberite ta navodila za uporabo, da zmanjšate tveganje za električni udar ali resne poškodbe.

VSA OPOZORILA IN NAVODILA SHRANITE ZA NADALJNO UPORABO!

Ta priročnik hranite skupaj z napravo, da ga lahko uporablja uporabnik naprave.

- **Pri uporabi električnega cevnega rezalca ne nosite rokavic ali ohlapnih oblačil. Rokavi in jopiči naj bodo zapeti.** Ne segajte preko stroja. Oblačila se lahko ujamejo v stroj, kar lahko povzroči zapletanje.
- **Roke držite stran od vrtljivih delov, kot so valjčki, povrtalnik, rezalno kolo in cev. Pred ravnanjem z orodjem ali cevjo počakajte, da se deli popolnoma ustavijo.** S tem boste zmanjšali možnost ujetja v vrteče dele.
- **Pritrdite napravo na stabilno mizo ali stojalo. Cevi pravilno podprite.** To bo zmanjšalo tveganje za udarce in zmečkanje poškodb zaradi prevrnitve in padca cevi in opreme.
- **Ne režite vidno upognjenih cevi ali cevi s pritrjenimi armaturami.** Zmanjša tveganje za prekomerne vibracije in izgubo nadzora nad strojem in/ali cevmi.
- **Vedno nosite ustrezno zaščito za oči in ustrezno osebno zaščitno opremo.** Rezalna orodja se lahko zlomijo ali zdrobijo. To bo zmanjšalo nevarnost za poškodbe.
- **Ena oseba mora nadzorovati tako delovni postopek kot nožno stikalo.** Ko naprava deluje, naj bo v delovnem območju samo uporabnik. To pomaga zmanjšati tveganje telesnih poškodb.
- **Preberite in razumite ta navodila in navodila in opozorila za vso uporabljeno opremo in materiale, preden to orodje uporabljate, ter s tem zmanjšajte tveganje resnih osebnih poškodb.**

Kontaktni podatki RIDGID

Če imate vprašanja v zvezi s tem izdelkom RIDGID®:

- Obrnite se na svojega krajevnega distributerja RIDGID®.
- Obiščite RIDGID.com, da najdete svojo krajevno kontaktno točko RIDGID.
- Stopite v stik s tehničnim servisnim oddelkom Ridge na rttechservices@emerson.com, ali v ZDA in Kanadi pokličite (800) 519-3456.

Opis

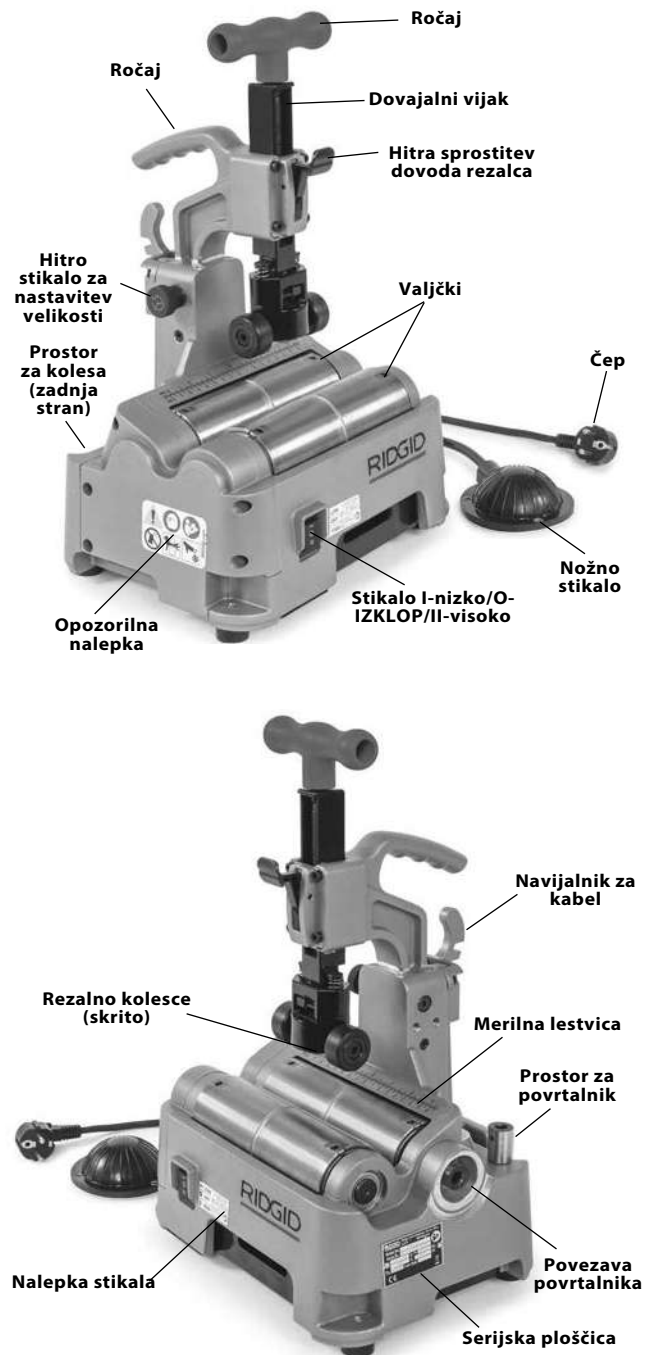
Cevni rezalec RIDGID® PC116/PTC-400 je zasnovan za rezanje ½" na 4" nominalne velikosti (12 do 100 mm) kovinskih in plastičnih cevi/cevi.

Dvostopenjsko stikalo nadzoruje hitrost valja, pnevmatsko nožno stikalo pa omogoča VKLOP/IZKLOP motorja. Vključe-

na je skala za merjenje cevi. Električni cevni rezalec je lahek in kompakten za lažji prevoz.

Na voljo je dodatni povrtalnik za odstranjevanje izboklin na notranji strani cevi do 2" (50 mm).

Cevni rezalec ni zasnovan za uporabo s cevmi.



Slika 1 - RIDGID® PC116/PTC-400 Električni cevni rezalec


Slika 2 – Serijska številka naprave

Serijska številka stroja se nahaja na strani rezalca. Zadnja 4 meseta označujejo mesec in leto proizvodnje. (10 = mesec, 19 = leto).

Tehnični podatki

Nazivna velikost cevi
 Zmogljivost rezanja..... ½" do 4" (12 mm do 100 mm)
 Dejanska zmogljivost
 rezanja..... ½" do 4.5" (12 mm do 116 mm)

Material cevi/ vodov*	Največja debelina stene	Rezalno kolesce	
		E-850 Kat. #66938	E-855 Kat. #66943
Ogljikovo jeklo	0.1" (2,5 mm)	X	
Nerjavno jeklo	0.1" (2,5 mm)	X	
Aluminij	0.1" (2,5 mm)	X	
Baker	0.1" (2,5 mm)		X
Plastika	0.23" (6 mm)		X

* Samo splošne smernice. Sestava materiala, trdota in drugi dejavniki vplivajo na sposobnost rezanja, življenjsko dobo koles, oblikovanje izboklin itd.

Nazivna zmogljivost
 povrtavanja..... ½" to 2" (12 mm do 50 mm)
 (dodatna oprema)

Najv. dolžina cevi..... 20' (6 m)

Motor

Tip..... univerzalen
 Napetost 100-120V 220-240 V
 Tok 5,8 A 3,0 A
 Frekvenca 50/60 Hz 50/60 Hz
 Moč 705W 705 W

Za podatke, ki so specifični za enoto, glejte serijsko ploščo izdelka.

Hitrost vrtenja valja 190/363 obr/min za 220-240 V,
 225/385 obr/min za 100-120 V

Upravljalni elementi..... Stikalo I-LOW/O-OFF/II-HIGH in
 nožno stikalo ON/OFF

Teža..... 32 lbs. (14,5 kg)

Skupne mere

D x Š x V..... 11.6" x 9.4" x 15.9"
 (295 mm x 239 mm x 403 mm)

Delovna temperatura..... -4 °F do 122 °F (-20 °C do 50 °C)

Zvočni tlak (L_{PA})* 82,3 dB(A), K=3

Moč zvoka (L_{WA})* 93,3 dB(A), K=3

* Merjenje hrupa je opravljeno z uporabo standardiziranega preskušanja skladno s standardom EN 62481-1.

- Emisije hrupa se lahko razlikujejo, odvisno od vaše lokacije in načina uporabe orodja.
 - Dnevne ravni izpostavljenosti hrupu je treba oceniti za vsako uporabo in je treba upoštevati ustrezne previdnostne ukrepe. Ob ocenjevanju ravni vibracij je treba upoštevati čas, med katerim je orodje izklopljeno in se ne uporablja. To lahko znatno pomanjša raven izpostavljenosti v skupnem času uporabe orodja.

Standardna oprema

Glejte katalog RIDGID za podrobnosti o opremi, ki je dostavljena s specifičnimi kataloškiimi številkami naprave.

OPOMBA Za izbiro primernih materialov in načinov vgradnje, spajanja ter oblikovanja je odgovoren projektant in/ali inštalater sistema. Izbira neustreznih materialov in načinov lahko povzroči odpoved sistema.

Nerjaveče jeklo in drugi materiali, odporni proti koroziji, se lahko med vgradnjo, spajanjem in oblikovanjem onesnažijo. Tovrstno onesnaženje lahko povzroči korozijo in skrajšanje življenjske dobe. Pred začetkom vgradnje vedno opravite skrbno vrednotenje materialov in metod za določene pogoje uporabe, vključno s kemičnimi ter temperaturnimi pogoji.

Če želite zmanjšati nevarnost kontaminacije nerjavečega jekla z železnimi delci, poskrbite, da bodo valji čisti in brez ostankov. Temeljito očistite s krtačo iz nerjavečega jekla. Pred uporabo z nerjavnim jeklom zamenjajte rezalno kolesce in povrtalnik. Najboljša praksa je, da uporabite določen rezalec za nerjaveče jeklo.

Sestavljanje

⚠ OPOZORILO

Za zmanjšanje tveganja hudih telesnih poškodb med uporabo pri sestavljanju sledite naslednjim postopkom. Stikalo mora biti v položaju IZKLOP in naprava mora biti izključena pred sestavljanjem.

Montaža na mizo

Naprava se lahko montira na ravni, stabilni mizi. Če želite enoto montirati na mizo, odvijte gumijaste nožice na štirih vogalih podstavka stroja (glejte sliko 16) in z vijaki M8 pritrdite stroj na mizo. Trdno pritegnite.

Pregled pred uporabo

⚠ OPOZORILO



Pred vsako uporabo preglejte električni cevni rezalec in odpravite morebitne težave, da zmanjšate tveganje hudih telesnih poškodb zaradi električnega udara, zapletanja, zmečkanja ali drugih vzrokov ter da preprečite škodo na napravi.

1. Poskrbite, da je električni cevni rezalec odklopljen.
2. Očistite napravo in opremo, vključno z ročaji in krmiljenjem. To pomaga pri pregledovanju in preprečuje drsenje naprave ali elementov za upravljanje, ko jih držite. Čiščenje in vzdrževanje naprave po navodilih za vzdrževanje.
3. Preglejte električni cevi rezalec za:
 - Preglejte napajalni kabel in vtič za poškodbe ali spremembe.
 - Pravilno sestavljanje, vzdrževanje in celovitost.
 - Ali so prisotni zlomljeni, obrabljeni, manjkajoči, neizravnani ali zatikajoči se deli.
 - Prisotnost in delovanje nožnega stikala. Potrdite, da je nožno stikalo pritrjeno, v dobrem stanju, da gladko kroži in se ne lepi.
 - Prosto gibanje podajalnega vijaka, rezalnega kolesa in podpornih valjev.
 - Prisotnost in berljivost opozorilnih in drugih nalepk (glejte sliko 1).
 - Preverite, ali so rezila rezalnega kolesca in povrtalnika obrabljena, deformirana, okrušena ali drugače poškodovana. Topi, poškodovani ali ohlapni rezalci lahko poškodujejo orodje, povzročijo slabo kakovost reza in povečajo nevarnost poškodb.
 - Če uporabljate stojalo(-a) PC116TS, ga (jih) po potrebi očistite, preglejte in namažite.
 - Preverite vsa stanja, ki bi lahko preprečila varno in običajno delovanje.

Če opazite kakršne koli težave, ne uporabljajte orodja, dokler težav ne popravite.
4. Vso drugo uporabljeno opremo preglejte in vzdržujte skladno z navodili, da zagotovite pravilno delovanje.

Nastavitev naprave in delovnega območja

⚠ OPOZORILO



V skladu s temi postopki nastavite rezalec za delovne cevi in delovno območje, da zmanjšate nevarnost

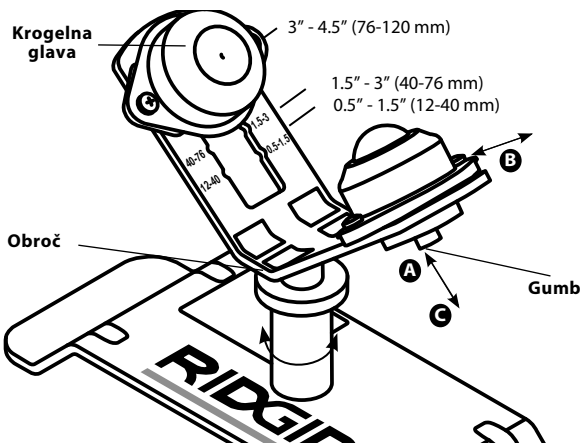
resnih poškodb zaradi električnega udara, zapletanja, poškodb zaradi drobljenja in drugih vzrokov ter preprečite poškodbe stroja.

1. Preverite delovno območje za:
 - Ustrezna osvetlitev.
 - Vnetljive tekočine, hlapi ali prah, ki se lahko vnamejo. Če so prisotni, v območju ne delajte, dokler viri niso ugotovljeni in odpravljeni. Rezalec ni eksplozijsko varen in lahko povzroča iskrenje.
 - Čisto, ravno, stabilno in suho mesto za vso opremo ter uporabnika.
 - Pravilno ozemljena električna vtičnica z ustrežno napetostjo. Preverite serijsko številko stroja za zahtevano napetost. Tripolna vtičnica ali vtičnica GFCI morda ni pravilno ozemljena. V dvomih se obrnite na pooblaščenega električarja.
2. Preverite delo, ki ga je treba opraviti. Določite material, vrsto in velikost cevi. Določite pravilno opremo za želeno opravilo. *Glejte poglavje Specifikacije.*
3. Prepričajte se, da je bila oprema, ki bo uporabljena, ustrezno pregledana in sestavljena.
4. Napravo postavite na plosko, ravno in stabilno površino. Glejte "Montaža na mizo" v razdelku Sestavljanje. Preverite, ali je enota stabilna in varna.
5. Če se cev razteza več kot 6" (15 cm) čez stroj, uporabite eno ali več ustreznih stojal za podporo cevi. Stojala postavite v vrsto z valjčki. Za daljšo cev boste morda potrebovali več kot eno stojalo. Uporabljajte samo stojala oblikovana za ta namen. Neustrezne podpore ali ročno podpiranje cevi lahko povzroči nagibanje ali poškodbe z zapletanjem. Ne prekoračite označene nosilnosti stojala. Ko rezalec in stojalo stojita na isti ravnini, uporabite stojalo za cevi RIDGID PC116TS, da podprete cev.

Če delate na mizi ali drugem dvignjenem delovnem območju, lahko za podporo cevi uporabite različna stojala za cevi RIDGID. Če uporabljate PC116/PTC-400 na tleh, za podporo cevi uporabite stojalo za cevi RIDGID PC116TS. *Glejte sliko 3.*



Slika 3 - Postavitev stojala



Slika 4 – Nastavitev stojala PC116TS

Stojalo PC116TS/nastavitev

Stojalo PC116TS je neobvezna dodatna oprema, zasnovana za uporabo z rezalcem PC116/PTC-400 in ni namenjena za drugo uporabo.

Če želite prilagoditi krogelne glave glede na velikost cevi:

- a. Pritisnite gumb **A**
- b. Premaknite krogelno glavo v ustrezen položaj glede na velikosti cevi (glejte sliko 4) **B**
- c. Gumb za sprostitev – potrdite, da je varno nameščen **C**

Za nastavitev višine stojala obrnite obroč, da dvignete ali spustite glavo stojala. Stojalo je zasnovano za postavitev na isto ravno površino kot rezalca PC116/PTC-400. Glejte sliko 3. Po potrebi lahko za dvig stojala uporabite ustrezne distančnike (na primer kos lesa).

6. Omejite dostop ali namestite varnostnike ali barikade, da ustvarite minimalno 3 čevlje (1 m) prostega prostora okoli naprave in cevi. To pomaga preprečevati ne-upravljavcem stik z napravo ali cevjo in zmanjša tveganje za nagib ali zapletanje.
7. Namestite nožno stikalo kot je prikazano na *Slika 8* da omogočite ustrezen položaj delovanja.
8. Ko je stikalo v položaju O-OFF, napeljite kabel po neovi-rani poti. S suhimi rokami priključite napajalni kabel v primerno ozemljeno vtičnico. Vse povezave naj bodo suhe in dvignjene s tal. Če napajalni kabel ni dovolj dolg, uporabite podaljšek, ki:
 - je v dobrem stanju.
 - Ima vtič s tremi vilicami, kot na električnem cevnem rezalcu.
 - Primerno za zunanjo uporabo.
 - Ima zadostno velikost žice. Za podaljške do 50' (15,2 m) dolžine uporabite 14 AWG (2,5 mm²) ali močnejše. Za podaljške dolžine 50'-100' (15,2 m - 30,5 m) uporabite 12 AWG (2,5 mm²) ali močnejši.
9. Preverite pravilno delovanje električnega cevnega rezalca. Ko so roke izven dosega:
 - Premaknite stikalo za hitrost v položaj hitrosti I-LOW. Pritisnite in spustite nožno stikalo. Valjčki se morajo vrteti, kot kaže puščica na *sliki 5*. Če se naprava ne vrti v pravilni smeri ali pa nožno stikalo ne krmili delovanja naprave, naprave ne uporabljajte, dokler ne bo popravljena.
 - Pritisnite in zadržite nožno stikalo. Preverite, ali so gibljivi deli orodja pravilno nameščeni in niso ukleščeni, morebitne nenavadne zvoke ter kakršne koli druge nenavadne pojave. Dvignite nogo nožnega stikala. Če opazite neobičajna stanja, naprave ne uporabljajte, dokler ne bo popravljena.



Slika 5 - Smer vrtenja valjčka

10. Premaknite stikalo za hitrost v položaj O-OFF (IZKLOP) in napravo izključite s suhimi rokami.

Navodila za uporabo

⚠ OPOZORILO



Pri uporabi električnega cevnega rezalca ne nosite rokavic ali ohlajnih oblačil. Rokavi in jopiči naj bodo zapeti.

Ne segajte preko stroja. Oblačila se lahko ujamejo v stroj, kar lahko povzroči zapletanje.

Roke držite stran od vrtljivih delov, kot so valjčki, povrtnik, rezalno kolo in cev. Pred ravnanjem z orodjem ali cevjo počakajte, da se deli popolnoma ustavijo. S tem boste zmanjšali možnost ujetja v vrteče dele.

Cevi pravilno podprite. To bo zmanjšalo tveganje za udarce in zmečkanje poškodb zaradi prevrnitve in padca cevi in opreme.

Ena oseba mora nadzorovati tako delovni postopek kot nožno stikalo. Ko naprava deluje, naj bo v delovnem območju samo uporabnik. To pomaga zmanjšati tveganje telesnih poškodb.

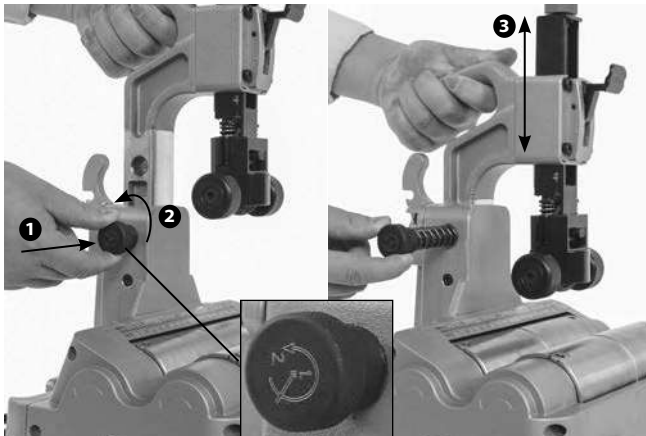
Upoštevajte navodila za uporabo, da zmanjšate nevarnost resnih poškodb zaradi električnega udara, zapletanja, poškodb zaradi drobljenja in drugih vzrokov ter preprečite poškodbe stroja.

Poskrbite za pravilno pripravo naprave in delovnega območja ter da na delovnem območju ni mimoidočih in drugih stvari, ki bi vas lahko zmotile. Upravljavec mora biti edina oseba, ki je prisotna na območju v času delovanja naprave.

Prilagajanje rezalca za različne velikosti cevi

Hitro stikalo za nastavitve velikosti

Na voljo je hitro stikalo za nastavitve velikosti za hitro nastavljanje med območji velikosti cevi 2" (50 mm) in manjšimi ter 2" do 4" (50 mm do 100 mm).



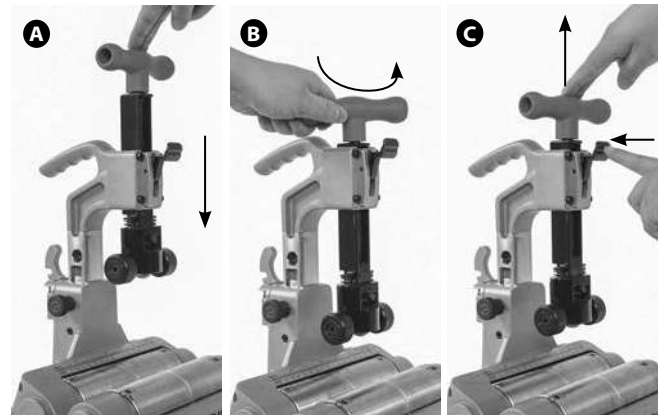
Slika 6 – Hitro stikalo za nastavitve velikosti

- Če v rezalcu ni cevi, primite ročaj in spustite zatič, tako da rahlo pritisnete gumb ❶ in rahlo zavrtite v nasprotni smeri urnega kazalca ❷. Gumb je vzmetno obremenjen in se umakne ter nadzoruje gibanje gumba. Glejte sliko 6.
- Z ročajem premaknite glavo v zeleni položaj ❸.
- Vstavite gumb hitrega stikala, da zadržite glavo v položaju.

Hitra nastavitve dovoda rezalca

Ta hitra nastavitve dovoda rezalca se uporablja za pomikanje in umikanje rezalnega kolesca med rezanjem.

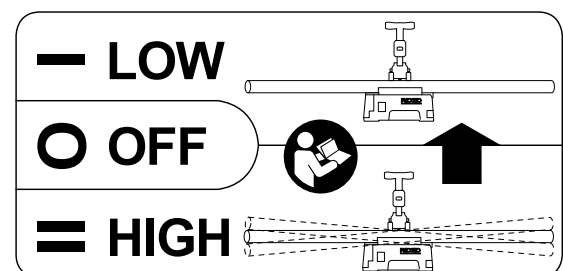
- Če želite pomakniti rezalno kolesce, potisnite ročaj navzdol (slika 7A), dokler ne zatakne cevi.
- Če želite odmakniti rezalno kolesce, popustite ročaj/podajalni vijak za 1-2 obrata (slika 7B) in pritisnite gumb za sprostitve (slika 7C), da se lahko umakne (vzmetno obremenjen – nadzirajte gibanja ročaja).



Slika 7 - Hitro dovajanje: A-Naprej, B-Sproščanje, C-Vpotev

Izbira/spreminjanje hitrosti delovanja

Električni cevni rezalec ima dve hitrosti delovanja – LOW (NIZKO) in HIGH (VISOKO), glejte sliko 8.



Slika 8 - Oznaka hitrosti

Hitrost LOW (NIZKO) (stikalo nastavljeno na I-Low). To zmanjša tveganje za tresljaje in nihanje cevi med uporabo.

Priporočeno za cevi s premerom 2" (50 mm) in manjše ter daljše od 6.5' (2 m)

Hitrost HIGH (VISOKO) (stikalo nastavljeno na II-High). Tako boste skrajšali čas rezanja.

Za cevi s premerom več kot 2" (50 mm) poljubne koli dolžine

Za vse cevi, krajše od 6.5' (2 m)

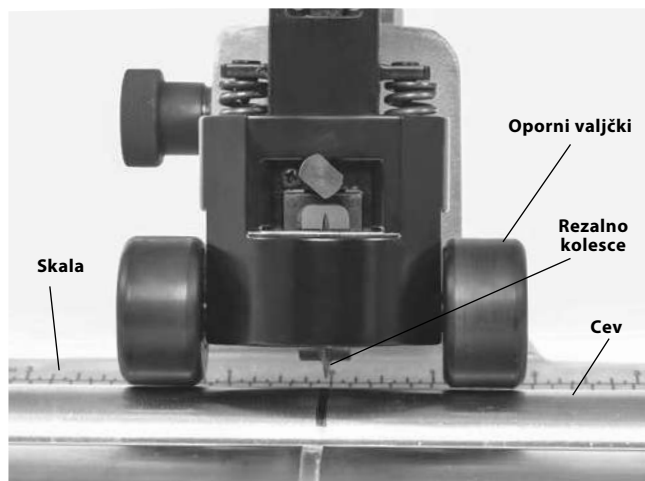
Treslaji in nihanje cevi so odvisni od številnih dejavnikov, kot so dolžina cevi, velikost, teža, naravnost, poravnava stojala, hitrost valja itd. Če se vam kadar koli zdi, da cev pretirano vibrira ali niha, spustite nožno stikalo. Če je izbrana hitrost II-High, spremenite na I-Low in poskusite znova. Če je izbrana hitrost I-Low, za ta kos izberite drug način rezanja, na primer ročni rezalec.

Če želite spremeniti hitrost, spustite nožno stikalo in počakajte, da se rezalec popolnoma ustavi. Premaknite stikalo v želeni položaj. Med delovanjem naprave ne spreminjajte delovne hitrosti.

Rezanje cevi

1. Preverite, da cev ni vidno upognjena in da na njo niso pritrjeni kakšni nastavki. Rezanje upognjenih cevi ali cevi z nastavki lahko povzroči pretirane vibracije in izgubo nadzora. Po potrebi uporabite ročni rezalec. Označite cev na želeni dolžini. Za olajšano uporabo je na stroju na voljo merilna skala.
2. Po potrebi prilagodite obseg električnega cevnega rezalca s hitrim stikalom za nastavitev velikosti.
3. Cevi položite na valjčke, tako da je oznaka rezanja pod rezalnim kolescem, na ničelni oznaki skale. Če cev sega dlje od stroja, namestite podpore pod cev. Podpore morajo biti nastavljene tako, da je cev pravokotno nameščena na valjčkih. S tem boste zagotovili pravilno sledenje reza. Glejte sliko 3.
4. Postavite se v ustrezen položaj za delovanje za pomoč pri kontroli naprave in cevi (glejte sliko 10):
 - Prepričajte se, da imate ustrezen dostop do orodij in stikala.
 - Prepričajte se, da lahko upravljateno nožno stikalo. Nožnega stikala še ne pritiskajte. V nujnem primeru morate biti v stanju sprostiti nožno stikalo.
 - Bodite prepričani, da imate dobro ravnotežje in vam ni treba segati preko naprave.
5. Premikajte sistem hitrega podajanja naprej, dokler se podporni valjčki ne dotaknejo cevi (slika 9). Poravnajte rezalno kolesce z oznako na cevi. Privijte podajalni vijak, da rezalno kolesce pride v stik s cevjo. Po stiku cevi z rezalnim kolescem, obrnite podajalni vijak za dodaten

1 do 1½ obrata, da se oprime cevi. Vijaka ne privijajte še dlje, saj lahko to povzroči ovalnost cevi in poveča nastanek izboklin.



Slika 9 - Oporni valjčki, ki se obračajo na cevi

6. Premaknite stikalo I-Low/O-OFF/II-High v ustrezen položaj za cev, ki jo režete
7. Pritisnite nožno stikalo. Valjčki in cev se bodo začeli vrteči. Držite roke stran od vrtečih delov.



Slika 10 - Rezanje cevi

8. Premaknite podajalni vijak tako, da ga počasi in neprekinjeno privijate, dokler se cev ne razreže. Agresivno rezanje lahko poškoduje rezalno kolesce in povzroči prekomerne izbokline. Oporni valjčki morajo biti v stiku s cevjo, da zagotovite pritrditev cevi.

Če se med rezanjem cevi zavija, prekinite rezanje in preverite nastavitev naprave, zlasti poravnavo stojal za cevi.

Različni materiali cevi bodo morda potrebovali rahlo dodatno privijanje podajalnega vijaka za izboljšanje podajanja.

- Dvignite nogo z nožnega stikala. Nato premaknite stikalo I-Low/O-OFF/I-High v položaj O-OFF.
- Ko se vrtenje cevi ustavi, sprostite podajalni vijak za 1-2 obrata in pritisnite gumb za sprostitev, da se rezalno kolesce popolnoma umakne. Odstranite cev.

Povrtavanje cevi



Slika 11 - Nameščanje povrtalnika

- Premaknite stikalo I-Low/O-OFF/I-High v položaj O-OFF.
- Odstranite povrtalo s položaja za shranjevanje in ga namestite v položaj za uporabo, kot je prikazano na *sliki 11*. Preverite, ali je povrtalo varno nameščeno.
- Premaknite stikalo I-Low/O-OFF/I-High v položaj I-Low.
- Pritisnite nožno stikalo. Roke držite stran od koncev cevi in vrtljivih delov.
- Trdno primite cev. Pravilno podprite cev, da ohranite nadzor.
- Cev položite na stožec povrtala in nežno pritiskajte (*slika 12*), da odstranite izbokline na notranji strani cevi. Cevi na povrtalnik ne pritiskajte s silo, saj lahko zgrabi cev in jo zavrti v rokah.



Slika 12 - Povrtavanje cevi

- Dvignite nogo z nožnega stikala.
- Premaknite stikalo I-Low/O-OFF/I-High v položaj O-OFF.
- Odstranite povrtalnik iz položaja za uporabo in ga vrnite v položaj za shranjevanje.

Prevoz

- Odstranite ali zaščitite vso opremo in material pred napravo, preden jo premikate, da preprečite padec ali nagibanje.
- Rezalno kolesce postavite v spodnji položaj.
- Ovijte napajalni kabel in cev nožnega stikala okoli kavlja za kabel in ju pritrdite, kot je prikazano na *sliki 13*.
- Dvignite z ročajem. Pri dvigovanju in premikanju bodite previdni. Zavedajte se teže naprave.



Slika 13 - Navit napajalni kabel in cev

Skladiščenje

⚠ OPOZORILO Električni cevni rezalec je treba shraniti na suhem v zaprtih prostorih ali dobro pokrit, če ga hranite na prostem. Napravo shranjujte v zaklenjenem prostoru zunaj dosega otrok in oseb, ki niso seznanjene z električnim cevničnim rezalcem. Ta stroj lahko v rokah neusposobljenih uporabnikov povzroči hude telesne poškodbe.

Navodila za vzdrževanje

⚠ OPOZORILO

Pred izvajanjem vzdrževanja ali prilagoditev se pripravite, da je stikalo v položaju O-OFF in da naprava ni povezana z napajanjem.

Rezalec vzdržujte skladno s temi postopki, da zmanjšate tveganje telesnih poškodb zaradi električnega udara, zapletanja in drugih vzrokov.

Čiščenje

Napravo po vsaki uporabi nežno očistite s čisto suho krpo. Valjčki naj bodo čisti in brez umazanije in ostankov.

Povrtilo ohranite čisto in brez ostružkov za največjo učinkovitost.

Očistite morebiten prah in ostanke iz zračnikov motorja.

Mazanje

Vsak mesec (ali pogosteje, če je potrebno) namažite vse izpostavljene gibljive dele električnega rezalca cevi in stojala PC116TS (kot so podajalni vijak, sistem za hitro podajanje, valjčki in točke vrtenja) z lahkim mazalnim oljem. Morebitno odvečno olje obrišite z izpostavljenih površin.

Menjava rezalnega kolesca

Za pravilno izbiro rezalnega kolesca glejte razdelek *Tehnični podatki*. Rezalno kolesce zamenjajte pri rezanju različnih materialov, ter ko je rezalni rob okrušen ali plosk. Nadomestno rezalno kolesce lahko shranite na enoti. Glejte sliko 13.

1. Odstranite zatič povezave. Nosilec kolesca se bo sprostil (slika 14).



Slika 14 - Odstranjevanje nosilca kolesa

2. Odstranite zatič za kolesce in rezalno kolesce/ležaj (slika 15).
3. Preglejte ležaj. Ležaj se mora prosto premikati. Po potrebi zamenjajte.
4. Montirajte rezalno kolesce v obratnem vrstnem redu.



Slika 15 – Menjava rezalnega kolesca

Zaščita motorja pred prekomernim tokom

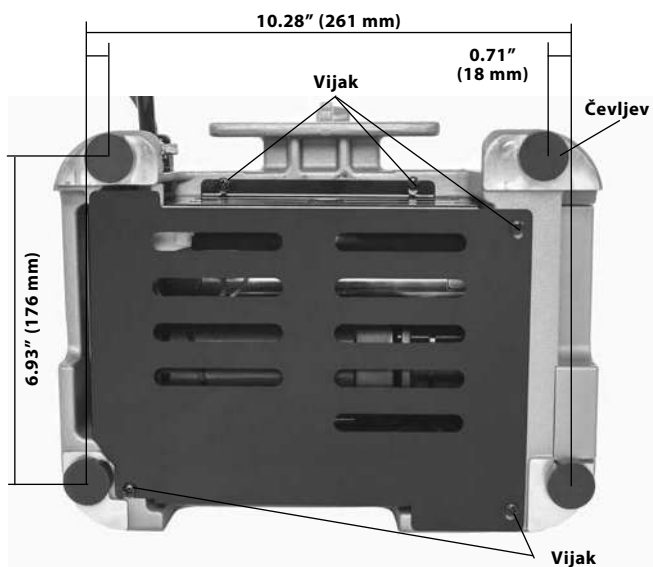
Rezalec je opremljen z zaščito pred prekomernim tokom, ki izklopi napravo, da zaščiti motor v primeru prekomernega toka.

Če se naprava nepričakovano izklopi, spustite nožno stikalo. Stikalo premaknite v položaj O-OFF in izklopite napravo. Odstranite vse cevi iz naprave. Sledite razdelkom Pregled pred uporabo in Nastavitve naprave in delovnega območja, da preverite, ali naprava deluje pravilno.

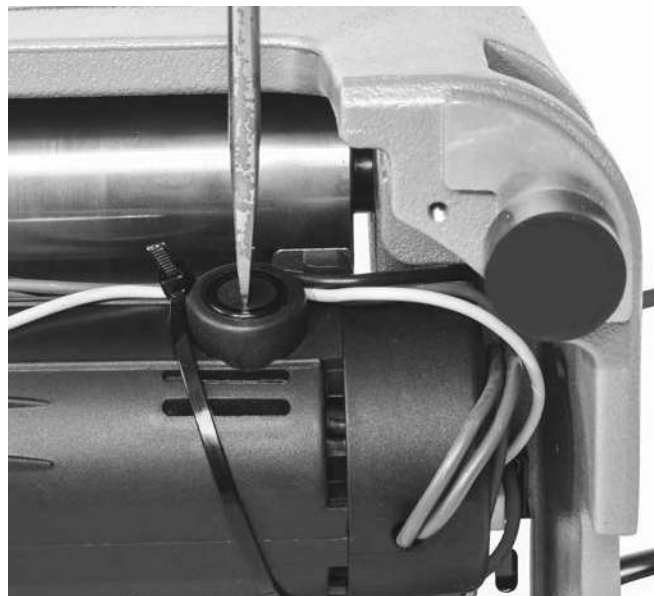
Menjava krtačk motorja

Vsakih šest mesecev pregledajte krtačke motorja, če je dolžina manj kot 5 mm (0.2"), jih morate zamenjati.

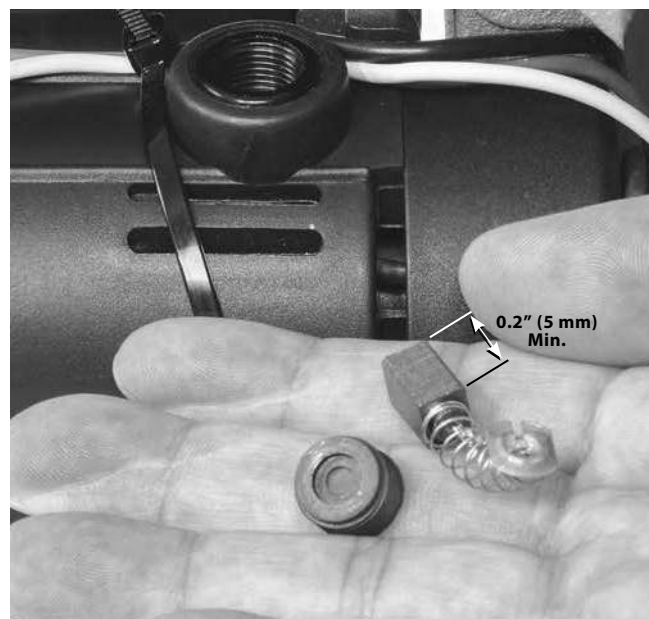
1. Prepričajte se, da je stikalo v položaju O-OFF in je naprava izključena.
2. Odvijte pet vijakov, s katerimi je pritrjen spodnji pokrov (slika 16) in odstranite pokrov (nekateri vijaki so pritrjeni na pokrov).
3. Z izvijačem odvijte in odstranite pokrovčke krtačk (slika 17). Nežno odstranite ogljikove ščetke in preverite dolžino (slika 18). Če je dolžina krtačk manj od 5 mm (0.2"), jih zamenjajte.
4. Vstavite krtačko v držalo krtačke, tako da jezičke krtačke pravilno poravnate z reliefi na držalu krtačke.
5. Pokrove krtačk varno privijte. Ponovno namestite spodnji pokrov.
6. Ko napravo znova sestavite, jo brez vstavljenih cevi za pet minut zaženite v hitrosti II-High, da se krtačke utečejo.



Slika 16 - Vijaki spodnjega pokrova



Slika 17 - Odstranjevanje pokrovčka krtačk



Slika 18 - Preverjanje dolžine krtačk

Optično preberite spodnjo kodo QR za dostop do literature in videoposnetka naprave PC116/PTC-400.



Odpravljanje napak

TEŽAVA	MOŽNI VZROKI	REŠITEV
Prekomerni tresljaji med delovanjem.	Napačna hitrost delovanja. Rezanje upognjenih cevi. Dolga cev ni pravilno podprta. Naprava ni pravilno nameščena.	Glejte <i>Izbira hitrosti delovanja</i> . Ne režite cevi, ki so vidno upognjene. Uporabite ročni rezalec. Podprite dolgo cev s stojali za cevi. Napravo pravilno namestite na ravno površino, pritrdite s pritrdilnimi vijaki.
Stroj ne reže cevi pravilno.	Obrabljeno rezalno kolesce. Uporaba na nepravilni velikosti ali materialu cevi.	Zamenjajte obrabljeno rezalno kolesce. Uporabite na pravilni vrsti cevi (glejte <i>Tehnični podatki</i>).
Naprava se med uporabo zaustavlja.	Agresivno podajanje rezalnega kolesca med rezanjem.	Nežno podajte rezalno kolesce.
Naprava ne deluje.	Krtačke motorja so izrabljene. Aktivirana zaščita pred prekomernim tokom.	Namestite nove krtačke motorja. <i>Sledite navodilom motorja za prekomerni tok v razdelku Navodila za vzdrževanje.</i>
Prekomerne izbokline na cevi ali deformacija konca.	Obrabljeno ali poškodovano rezalno kolesce. Agresivno podajanje rezalnega kolesca med rezanjem.	Zamenjajte rezalno kolesce. Nežno podajte rezalno kolesce.
Naprava se ustavi, ko pritisnete nožno stikalo. Boben se ponovno zažene, ko nožno stikalo ponovno pritisnete.	Luknja v nožnem stikalu/cevi. Uhajanje na zračnem stikalu.	Zamenjajte nožno stikalo. Če težave z nožnim stikalom/cevjo ne najdete, zamenjajte zračno stikalo.

Servisiranje in popravilo

⚠ OPOZORILO

Neustrezno servisiranje ali popravilo lahko naredi ta stroj nevaren za obratovanje.

"Navodila za vzdrževanje" zajemajo večino potreb servisiranja te naprave. Morebitne težave, ki jih ta razdelek ne obravnava, naj ureja izključno neodvisni servisni center RIDGID. Uporabljajte le servisne dele RIDGID.

Za informacije o najbližjem neodvisnem servisnem centru RIDGID ali v primeru kakršnih koli vprašanj glede servisiranja ali popravila *glejte poglavje Kontaktni podatki* v tem priročniku.

Dodatna oprema

⚠ OPOZORILO

Da zmanjšate tveganje za resne poškodbe, uporabljajte le dodatno opremo, posebej zasnovane in priporočene za uporabo z RIDGID električnim cevnim rezalcem PC116/PTC-400, kot so navedeni.

Katalogska št.	Opis
64903	PC116TS Stojalo za cevi za uporabo s PC116/PTC-400
66253	PC116 220-240V Ogljene krtačke motorja
66248	PC116 100-120 V Ogljene krtačke motorja
56662	VJ-99 28" - 52" Visoko stojalo z V-glavo
64908	137S Povrtalo za PC116/PTC-400
66938	E850 Rezalno kolesce (za kovinske cevi)
66943	E855 Rezalno kolesce (za plastične cevi)
64898	Ležaj rezalnega kolesca

Za komplet seznam opreme RIDGID, ki je na voljo za ta orodja, glejte katalog Ridge Tool na RIDGID.com ali *poglejte razdelek Kontaktni podatki*.

Odstranjevanje

Deli teh orodij vsebujejo dragocene dele in jih je možno reciklirati. Podjetja, ki so specializirana za recikliranje, lahko najdete tudi v svoji bližini. Komponente zavržite skladno z vsemi zadevnimi predpisi. Ve informacij poiščite pri komunalni upravi v svojem kraju.



Za države ES: Električne opreme ne zavržite med gospodinjske odpadke!

V skladu z Evropsko direktivo 2012/19/EU o odpadni električni in elektronski opremi in njenem vključevanju v državno zakonodajo, mora neuporabna električna oprema biti zbrana ločeno in odstranjena na pravilen okoljevarstveni način.

Nož za cevni materijal

Električni nož za cevni materijal PC116/PTC-400



UPOZORENJE!

Pažljivo pročitajte priručnik za rukovaoca pre korišćenja ovog alata. Nepoznavanje i nepridržavanje uputstava iz ovog priručnika može imati za posledicu strujni udar, požar i/ili teške telesne povrede.

Električni nož za cevni materijal PC116/PTC-400

Zapišite ispod serijski broj i sačuvajte serijski broj proizvoda koji se nalazi na natpisnoj pločici.

Serijski
br.

Sadržaj

Obrazac za zapisivanje serijskog broja mašine	311
Sigurnosni simboli	313
Opšta sigurnosna upozorenja za električne alate	313
Sigurnost radnog područja.....	313
Zaštita od struje.....	313
Lična zaštita	314
Upotreba i Održavanje električnog alata	314
Servisiranje	314
Posebne informacije o bezbednosti	314
RIDGID kontaktne informacije	315
Opis	315
Tehnički podaci	316
Standardna oprema.....	316
Sklapanje	316
Montaža na radni sto	316
Pregled pre upotrebe	317
Podešavanje mašine i radnog prostora	317
Podešavanje postolja PC116TS.....	318
Uputstva za rad	319
Podešavanje noža za različite veličine cevnog materijala	319
Izbor/promena brzine rada	320
Rezanje cevnog materijala	320
Razvrtanje cevnog materijala	321
Transport	321
Skladištenje	322
Uputstva za održavanje	322
Čišćenje	322
Podmazivanje	322
Promena točka noža	322
Zaštita od prekomerne struje	322
Promena četkica motora	323
Lociranje i uklanjanje kvarova.....	324
Servisiranje i popravke	324
Opcionalna oprema	324
Odstranjivanje	325
EC izjava o usklađenosti	Iza zadnjeg poklopca
Garancija u toku radnog veka	Na poledini korice

* Prevod originalnih uputstava

Sigurnosni simboli

Sigurnosni simboli i reči upozorenja u ovom priručniku za rukovaoca i na proizvodu se koriste da bi nam ukazali na važne sigurnosne informacije. Ovo poglavlje je namenjeno boljem razumevanju tih signalnih reči i simbola.



Ovo je simbol sigurnosnog upozorenja. On se koristi da bi vas upozorio na potencijalne opasnosti povređivanja pri nesrećnim slučajevima. Da biste sprečili telesne povrede i smrtni ishod, pridržavajte se svih sigurnosnih poruka koje prate ovaj simbol.

⚠ OPASNOST OPASNOST ukazuje na opasnu situaciju koja, ako se ne izbegne, može prouzrokovati teške telesne povrede ili smrt.

⚠ UPOZORENJE UPOZORENJE označava opasnu situaciju koja, ako se ne izbegne, može prouzrokovati smrt ili teške telesne povrede.

⚠ PAŽNJA PAŽNJA označava opasnu situaciju koja, ako se ne izbegne, može prouzrokovati lakše ili srednje teške telesne povrede.

NAPOMENA NAPOMENA ukazuje na informacije koje se odnose na zaštitu imovine.



Ovaj znak vas upozorava da pre korišćenja opreme pažljivo pročitate priručnik za rukovaoca. Priručnik za rukovaoca sadrži važne informacije o sigurnosti i ispravnom radu opreme.



Ovaj simbol znači da uvek nosite zaštitne naočare sa bočnim štitnicima prilikom rukovanja ili korišćenja ove opreme, da bi se izbegla opasnost od povrede očiju.



Ovaj znak označava opasnost od električnog udara.



Ovaj simbol ukazuje na rizik da šake, prsti ili drugi delovi tela budu zahvaćeni, ili uvijeni u valjke ili druge pokretne delove.



Ovaj simbol označava rizik da šake, prsti ili drugi delovi tela budu isečeni rotirajućim ili pokretnim delovima.



Ovaj simbol ukazuje na rizik od nakretanja mašine, koji može da prouzrokuje udar ili prelome.



Ovaj simbol znači da ne nosite rukavice dok radite sa mašinom da bi smanjili rizik od zaplitanja.

Opšta sigurnosna upozorenja za električne alate*

⚠ UPOZORENJE

Pročitajte sva bezbednosna upozorenja, uputstva, ilustracije i specifikacije koje ste dobili uz ovaj električni alat. Nepridržavanje svih uputstava nabrojanih ispod može imati za posledicu električni udar, požar i/ili tešku povredu.

SAČUVAJTE SVA UPOZORENJA I UPUTSTVA ZA BUDUĆE KORIŠĆENJE!

Izraz "uređaj na struju" u upozorenjima se odnosi na uređaj koji je kablom priključen na električnu mrežu ili bežični uređaj koji radi na akumulatorske baterije.

Sigurnost radnog područja

- Održavajte čistoću i dobru osvetljenost radnog prostora. Neuredna ili mračna područja su pogodna za nesreće.
- Nemojte koristiti električni alat u eksplozivnoj atmosferi, kao što je ona u kojoj postoji prisustvo zapaljivih tečnosti, gasova ili prašine. Električni alati stvaraju varnice koje mogu zapaliti prašinu ili gasove.
- Tokom rada sa električnim alatom decu i posmatrača držite na podalje. Ometanje može dovesti do gubitka kontrole.

Zaštita od struje

- Utikači električnih alata moraju biti prilagođeni utičnicama. Ni u kom slučaju nemojte prepravljati utikač. Sa uređajima na struju koji treba da su uzemljeni nemojte da koristite nikakve adaptore za utikač. Nemodifikovani utikači i odgovarajuće utičnice će umanjiti rizik od strujnog udara.
- Izbegavajte telesni kontakt sa uzemljenim površinama, kao što su cevi, radijatori, štednjaci i rashladni uređaji. Ako je vaše telo uzemljeno postoji povećana opasnost od električnog udara.
- Električne alate nemojte izlagati kiši ili vlazi. Ukoliko u električni alat uđe voda, povećava se rizik od električnog udara.
- Nemojte grubo postupati sa kablom. Kabl nikada nemojte koristiti za nošenje, povlačenje ili izvlačenje utikača električnog alata. Neka kabl bude daleko od izvora toplote, ulja, oštih ivica ili pokretnih delova. Oštećeni ili umršeni kablovi povećavaju opasnost od strujnog udara.
- Kada električnim alatom radite napolju, koristite produžni kabl koji je pogodan za upotrebu na otvorenom. Korišćenje kabla koji je pogodan za upotrebu na otvorenom smanjuje rizik od strujnog udara.

* Tekst korišćen u poglavlju Opšta bezbednosna upozorenja ovog priručnika je doslovno preuzet, koliko je to bilo potrebno, iz važećeg standarda UL/CSA/EN 62841-1. Ovo poglavlje sadrži opšta sigurnosna pravila tehničke eksploatacije za nekoliko različitih tipova električnih alata. Svaka mera predostrožnosti nije primenljiva na svaki alat i samo neke se mogu primeniti na ovaj alat.

- **Ako je rad električnim alatom na vlažnom mestu neizbežan, upotrebite napajanje sa zaštitom (GFCI - prekidač strujnog kola u slučaju greške uzemljenja).** Korišćenje GFCI smanjuje rizik od strujnog udara.

Lična zaštita

- **Prilikom rada sa električnim alatom, održavajte budnost, gledajte šta radite i koristite zdrav razum. Nemojte koristiti električni alat ako ste umorni ili pod uticajem droga, alkohola i lekova.** Trenutak nepažnje pri korišćenju električnih alata može imati za posledicu tešku telesnu povredu.
- **Koristite ličnu zaštitnu opremu. Uvek nosite zaštitu za oči.** Zaštitna oprema kao na primer maska za zaštitu od prašine, neklizajuće zaštitne cipele, zaštitna kaciga ili zaštita za sluh, korišćena pri odgovarajućim uslovima, smanjiće opasnost od povreda.
- **Sprečite slučajno pokretanje. Vodite računa da prekidač bude u poziciji OFF (isključeno) pre priključenja na napajanje i/ili bateriju, podizanja ili nošenja alata.** Nošenje električnog alata sa prstom na prekidaču ili stavljanje električnog alata pod napon sa prekidačem na poziciji ON (uključeno) izaziva nezgodu.
- **Pre UKLJUČENJA alata, uklonite bilo kakav ključ za podešavanje ili zavrtnje.** Francuski ključ ili ključ koji je ostavljen zakačen na obrtni deo električnog alata može dovesti do povrede.
- **Nemojte se nagingati. Zadržite čvrst stav i ravnotežu sve vreme.** To vam omogućava bolju kontrolu nad električnim alatom u neočekivanim situacijama.
- **Propisno se obucite. Nemojte nositi neučvršćenu odeću ili nakit. Držite kosu i odeću podalje od pokretnih delova.** Labava odeća, nakit ili kosa mogu biti uhvaćeni u pokretne delove.
- **Ukoliko postoje uređaji za povezivanje postrojenja namenjenih za izvlačenje i sakupljanje prašine, uverite se da su povezani i korišćeni na ispravan način.** Sakupljanje prašine može smanjiti opasnosti prouzrokovane prašinom.
- **Nemojte dozvoliti da vas poznavanje rukovanja koje ste dobili čestom upotrebom alata učini neopreznim i učini da zanemarite bezbednosne principe rukovanja alatom.** Neoprezan rad može prouzrokovati tešku povredu u deliću sekunde.

Upotreba i Održavanje električnog alata

- **Nemojte da silite električni alat. Koristite odgovarajući električni alat za potrebnu namenu.** Odgovarajući električni alat će posao obaviti bolje i bezbednije brzinom za koju je konstruisan.

- **Nemojte koristiti električni alat ako se prekidačem ne može UKLJUČITI i ISKLJUČITI.** Svaki električni alat koji se ne može kontrolisati pomoću prekidača je opasan i potrebno ga je popraviti.
- **Presprovođenja bilo kakvih izmena, promene dodataka ili skladištenja električnog alata, izvadite utikač iz izvora napajanja i/ili baterijsko pakovanje iz električnog alata ako se može odvojiti.** Takve preventivne sigurnosne mere smanjuju rizik od slučajnog pokretanja električnog alata.
- **Odložite električni alat koji ne koristite van domašaja dece i nemojte dozvoliti korišćenje osobama koje nisu upoznate sa električnim alatom ili ovim uputstvima.** Električni alat je opasan u rukama neobučениh korisnika.
- **Održavajte električne alate. Proverite da alat nije pogrešno namešten ili da nisu pogrešno spojeni pokretni delovi, da delovi nisu polomljeni kao i sve druge razloge koji mogu da utiču na rad električnog alata. Ako se ošteti, električni alat pre upotrebe, popravite.** Loše održavani električni alati su uzrok mnogih nezgoda.
- **Rezne alate održavajte oštrim i čistim.** Pravilno održavani rezni alati sa oštrim reznim ivicama se ređe zaglavljaju i lakše ih je kontrolisati.
- **Električni alat, dodatke, nastavke alata itd. koristite u skladu sa ovim uputstvima, imajući u vidu radne uslove i posao koji treba uraditi.** Korišćenje električnog alata za rad drugačiji od onog za koji je namenjen može dovesti do opasne situacije.
- **Održavajte ručke i površine za hvatanje suvim, čistim i bez ulja i masti.** Klizave ručke i površine za hvatanje ne omogućuju sigurno rukovanje i kontrolu nad alatom u nepredviđenim situacijama.

Servisiranje

- **Električni alat može popravljati samo kvalifikovano servisno osoblje koje upotrebljava identične zamenske delove.** To će omogućiti da se održi sigurnost električnog alata.

Posebne informacije o bezbednosti

▲ UPOZORENJE

Ovo poglavlje sadrži važne sigurnosne informacije koje su specifične za ovaj alat.

Pre upotrebe električnog noža za cevni materijal PC116/PTC-400 pažljivo pročitajte ove mere predostrožnosti da biste smanjili opasnost od strujnog udara druge teške povrede.

SAČUVAJTE SVA UPOZORENJA I UPUTSTVA ZA BUDUĆE KORIŠĆENJE!

Držite ovaj priručnik u blizini mašine da bi ga rukovalac mogao upotrebiti.

- **Nemojte nositi rukavice ili labavu odeću kada radite sa električnim nožem za cevni materijal. Rukavi i jakne treba da budu zakopčani.** Nemojte se naginjati preko mašine. Odeća može biti zahvaćena od strane mašine prouzrokujući uplitanje.
- **Šake držite podalje od rotirajućih delova kao što su valjci, razvrtač, točak noža i cevni materijal. Sačekajte da se delovi potpuno zaustave pre rukovanja alatom ili cevnim materijalom.** Ovakva praksa će smanjiti verovatnoću uplitanja u obrtne delove.
- **Mašinu učvrstite za stabilan radni sto ili postolje. Ispravno oslonite cevni materijal.** Ovo će umanjiti rizik od udarnih povreda i lomova usled prevrtanja i pada cevnog materijala i opreme.
- **Nemojte seći vidljivo savijeni cevni materijal ili cevni materijal sa postavljenim priključcima.** Umanjuje rizik od preteranih vibracija i gubitka kontrole nad mašinom i/ili cevnim materijalom.
- **Uvek nosite odgovarajuću zaštitu za oči i odgovarajuću ličnu zaštitnu opremu.** Rezni alat se može polomiti i rasprsnuti. Ovo će umanjiti rizik od povreda.
- **Jedna osoba mora kontrolisati radni proces i nožni prekidač.** Samo rukovalac treba da se nalazi u radnom prostoru tokom rada mašine. Time se smanjuje opasnost od povređivanja.
- **Pre upotrebe alata pročitajte i proučite ovo uputstvo i upozorenja i uputstva za svu opremu i korišćene materijale, kako biste umanjili rizik od teške telesne povrede.**

RIDGID kontaktne informacije

Ako imate nekih pitanja u vezi sa ovim RIDGID® proizvodom:

- Kontaktirajte lokalno RIDGID® predstavništvo.
- Kako biste pronašli lokalno RIDGID kontaktno mesto, posetite RIDGID.com.
- Kontaktirajte Odeljenje za tehničke usluge kompanije Ridge Tool na rtctechservices@emerson.com ili ako ste u SAD ili Kanadi pozovite (800) 519-3456.

Opis

Električni nož za cevni materijal RIDGID® PC116/PTC-400 je namenjen za sečenje metalnog i plastičnog cevnog materijala/provodnih cevi nominalne veličine od ½" do 4" (12 do 100 mm).

Prekidač za dve brzine kontroliše brzinu valjaka a pneumatski nožni prekidač pruža kontrolu UKLJUČIVANJA/ISKLUČIVANJA motora. Za merenje cevnog materijala pridodata je merna skala. Električni nož za cevni materijal je male težine i kompaktni radi lakog transporta.

Dostupan je opciono razvrtač radi uklanjanja rapavosti unutar cevnog materijala veličine do 2" (50 mm).

Nož za cevni materijal nije namenjen za upotrebu na cevima.



Slika 1 – RIDGID® Električni nož za cevni materijal PC116/PTC-400


Slika 2 – Serijski broj mašine

Serijski broj mašine se nalazi na bočnoj strani noža. Poslednje 4 cifre označavaju mesec i godinu proizvodnje. (10 = mesec, 19 = godina).

Tehnički podaci

Nominalna veličina cevnog materijala za rezanje..... $\frac{1}{2}$ " do 4" (12 mm do 100 mm)

Stvarna mogućnost rezanja... $\frac{1}{2}$ " do 4,5" (12 mm do 116 mm)

Cevni materijal/ provodni materijal*	Maksimalna debljina zida	Točak noža	
		E-850	E-855
		Kat. #66938	Kat. #66943
Ugljenični čelik	0.1" (2,5 mm)	X	
Nerđajući čelik	0.1" (2,5 mm)	X	
Aluminijum	0.1" (2,5 mm)	X	
Bakarna	0.1" (2,5 mm)		X
Plastika	0.23" (6 mm)		X

* Samo opšte smernice. Sastav materijala, tvrdoća i drugi faktori utiču na sposobnost rezanja, radni vek točka, hrapavost itd.

Nominalna sposobnost razvrtanja $\frac{1}{2}$ " do 2" (12 mm do 50 mm)
(dodatna oprema kao opcija)

Maks. dužina cevnog materijala 20' (6 m)

Motor

Tip.....	Univerzalni	
Napon.....	100-120V	220-240V
Struja.....	5,8 A	3,0A
Frekvencija.....	50/60 Hz	50/60 Hz
Snaga.....	705W	705W

Za informacije o konkretnoj mašini pogledajte natpisnu pločicu proizvoda.

Brzina rotiranja valjka 190/363 o/min. kod 220-240V,
225/385 o/min. kod 100-120V

Komande, prekidač I-LOW/O-OFF/II-HIGH i nožni prekidač za UKLJUČENJE/ ISKLJUČENJE

Težina..... 32 lbs. (14,5 kg)

Ukupne dimenzije

D x Š x V..... 11.6" x 9.4" x 15.9"
(295 mm x 239 mm x 403 mm)

Radna temperatura..... -4° F do 122° F (-20° C do 50° C)

Nivo buke (L_{PA})* 82,3 dB(A), K=3

Snaga zvuka (L_{WA})* 93,3 dB(A), K=3

* Merenje zvuka je izvršeno u skladu sa standardizovanim testom po standardu EN 62481-1.

- Emisija zvuka može varirati usled lokacije i konkretne upotrebe ovih alata.

- Nivo dnevne izloženosti zvuku mora se proceniti za svaku pojedinačnu primenu i ako je potrebno, moraju se preduzeti prikladne sigurnosne mere. Procena nivoa izloženosti mora uzeti u obzir vreme kada je alat ISKLJUČEN i nije u upotrebi. Ovo može značajno umanjiti nivo izloženosti u toku ukupnog radnog perioda.

Standardna oprema

Pogledajte RIDGID katalog u vezi detalja o opremi isporučenoj sa konkretnim kataloškim brojem mašine.

NAPOMENA Izbor odgovarajućih materijala i metode montaže, spajanja i oblikovanja je odgovornost sistem inženjera i/ili montažera. Izbor neodgovarajućih materijala i metoda može prouzrokovati sistemsku grešku.

Nerđajući čelik i drugi materijali otporni na koroziju se mogu kontaminirati u toku montaže, spajanja i oblikovanja. Ova kontaminacija može da dovede do korozije i preranog kvara. Pažljiva procena materijala i metoda za specifične servisne uslove, uključujući hemikalije i temperaturu, treba da se obavi pre nego što se pokuša montaža.

Da biste umanjili rizik od kontaminacije nerđajućeg čelika gvožđem, vodite računa da valjci budu čisti i bez ostataka. Temeljno ih očistite četkom od nerđajućeg čelika. Pre upotrebe na materijalu od nerđajućeg čelika promenite točak noža i razvrtač. Najbolja praksa je da nož posebno namenite za nerđajući čelik.

Sklapanje

⚠ UPOZORENJE

Da biste smanjili opasnost od teških povreda u toku upotrebe, pridržavajte se sledećeg postupka za pravilno sastavljanje. Pre sklapanja mašina bi trebalo da bude ISKLJUČENA i izvučena iz napajanja strujom.

Montaža na radni sto

Mašina se može montirati na ravan, stabilan radni sto. Da biste mašinu montirali na radni sto, odvrnite gumene stope na četiri ugla baze mašine (pogledajte Sliku 16) i upotrebite zavrtnje M8 da biste je pričvrstili za sto. Čvrsto ih zategnite.

Pregled pre upotrebe

⚠ UPOZORENJE



Pre svake upotrebe pregledajte električni nož za cevni materijal i otklonite sve probleme da biste smanjili opasnost od teške povrede strujnim udarom, uplitanjem, nagnječenjem ili druge i da biste sprečili oštećenje mašine.

- Vodite računa da električni nož za cevni materijal bude izvučen iz napajanja.
 - Očistite mašinu i opremu, uključujući ručke i upravljačke delove. Ovo olakšava pregled i pomaže u zaštiti mašine ili komandi od klizanja u vašim rukama. Čistite i održavajte mašinu po uputstvu proizvođača.
 - Izvršite pregled noža za cevni materijal u vezi:
 - Proverite da li na kابلu i utikaču postoje oštećenja ili modifikacije.
 - Da li je sve ispravno montirano, održavano i kompletirano.
 - Da li postoje bilo kakvi polomljeni, istrošeni, nedostajući, nedoravnati, uvezani delovi ili druga oštećenja.
 - Prisustvo i rad nožnog prekidača. Potvrdite da je nožni prekidač priključen, u dobrom stanju, da radi lako i ne zaglavljuje.
 - Slobodno kretanje uvodnog vijka, točka noža i nosećih valjaka.
 - Postojanje i čitljivost nalepnica upozorenja i drugih nalepnica (*pogledajte Sliku 1*).
 - Proverite da li su rezne ivice točka noža i razvrtača pohabane, deformisane, da li su iskrzane ili postoje drugi problemi. Tupi, oštećeni ili labavi noževi mogu oštetiti alat, proizvesti rez lošeg kvaliteta i povećati rizik od povrede.
 - Ako koristite postolje(a) PC116TS, izvršite čišćenje, pregled i podmazivanje po potrebi.
 - Bilo koje drugo stanje koje može sprečiti bezbedan i normalan rad.
- Ako pronađete probleme, alat nemojte koristiti dok se problemi ne poprave.
- Pregledajte i izvršite održavanje sve druge korišćene opreme u skladu sa uputstvima, kako biste osigurali njeno pravilno funkcionisanje.

Podešavanje mašine i radnog prostora

⚠ UPOZORENJE

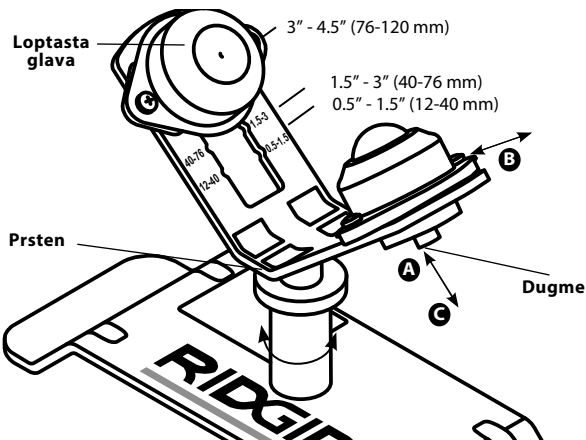


Podesite nož za cevni materijal i radni prostor u skladu sa ovim procedurama da biste smanjili opasnost od teške povrede strujnim udarom, uplitanjem, nagnječenjem ili na drugi način i da biste sprečili oštećenje mašine.

- U radnom prostoru proverite sledeće:
 - Odgovarajuće osvetljenje.
 - Da nema zapaljivih tečnosti, isparenja ili prašine koje se mogu zapaliti. Ako otkrijete nešto od navedenog, nemojte raditi u tom području sve dok ne prepoznate i uklonite problem. Nož nema protiveksplozivnu zaštitu i može prouzrokovati varnice.
 - Očistite, poravnajte, stabilizujte, osušite mesto za opremu i rukovaoca.
 - Pravilno uzemljena električna utičnica odgovarajućeg napona. Potreban napon proverite na natpisnoj pločici. Utičnica sa tri zupca ili GFCI utičnica možda nije pravilno uzemljena. Ukoliko niste sigurni, neka ovlašćeni električar proveri utičnicu.
 - Proverite posao koji treba uraditi. Odredite materijal, tip i veličinu cevnog materijala. Odredite odgovarajuću opremu za posao. *Pogledajte poglavlje Tehnički podaci.*
 - Proverite da li je sva oprema koja će se koristiti pravilno pregledana i sklopljena.
 - Postavite mašinu na ravnu, uravnoteženu, stabilnu površinu. Pogledajte "Montaža na radni sto" u poglavlju Sklapanje. Proverite da li je mašina stabilna i učvršćena.
 - Ako dužina cevnog materijala prelazi 6" (15 cm), iza mašine, upotrebite jedan ili više odgovarajućih postolja da biste ga oslonili. Postavite postolja u liniji sa valjcima. Dužem cevnom materijalu je potrebno više od jednog postolja. Koristite samo postolja koja su za to namenjena. Neprikladna postolja cevnog materijala ili držanje cevnog materijala rukom mogu prouzrokovati povrede usled prevrtanja ili uplitanja. Nemojte preći označen kapacitet postolja. Kada nož i postolje leže u istoj ravni, za oslonac cevi upotrebite postolje za cevni materijal RIDGID PC116TS.
- Ako radite na radnom stolu ili drugom izdignutoj radnoj sredini, za oslonac cevnog materijala mogu se koristiti različita RIDGID postolja za cevni materijal. Ako PC116/PTC-400 koristite na tlu, za oslanjanje cevnog materijala upotrebite postolje za cevni materijal RIDGID PC116TS. *Pogledajte sliku 3.*



Slika 3 – Postavljanje postolja



Slika 4 – Podešavanje postolja PC116TS

Podešavanje postolja PC116TS

Postolje PC116TS je opcionalna dodatna oprema namenjena za upotrebu uz nož PC116/PTC-400 i nije namenjena za drugu upotrebu.

Da biste podesili loptaste glave za veličinu cevnog materijala:

- Pritisnite dugme **A**
- Pomerite loptastu glavu na odgovarajuću poziciju za veličinu cevi (pogledajte Sliku 4) **B**
- Otpustite dugme – kada ste utvrdili da je cevni materijal sigurno smešten **C**

Da biste podesili visinu, okrenite prsten da biste podigli ili spustili glavu postolja. Postolje je dizajnirano da se postavi na istu ravnu površinu kao i nož PC116/PTC-400. Pogledajte sliku 3. Ako je potrebno, mogu se postaviti odgovarajući odstoynici (kao što je parče drveta) za podizanje postolja.

- Ograničite pristup ili postavite štitnike ili barikade kako biste kreirali najmanje 3 stope (1 m) praznog prostora oko mašine i cevnog materijala. Ovo pomaže u sprečavanju onih koji nisu rukovaoci da imaju kontakt sa mašinom ili cevnim materijalom i umanjuje rizik od prevrtanja i uplitanja.
- Postavite nožni prekidač kao što prikazuje Slika 8 kako biste zauzeli pravilan radni položaj.
- Uz prekidač u poziciji O-OFF, sprovedite kabl duž čistog prostora. Suvim rukama, utaknite kabl u pravilno uzemljenu utičnicu. Pazite da svi priključci budu na suvom i podignuti sa zemlje. Ako kabl napajanja nije dovoljno dugačak, upotrebite produžni kabl koji:
 - Se nalazi u dobrom stanju.
 - Posедује trokraki utikač kao i električni nož za cevni materijal.
 - Bude namenjen za upotrebu u spoljnoj sredini.
 - Ima dovoljnu veličinu provodnika. Za produžne kablove do 50' (15,2 m) dužine koristite 14 AWG (2,5 mm²) ili veće. Za produžne kablove od 50'-100' (15,2 m - 30,5 m) dužine koristite 12 AWG (2,5 mm²) ili veće.
- Proverite pravilan rad električnog noža za cevni materijal. Sa rukama podalje:
 - Prebacite prekidač brzine na poziciju I-LOW. Pritisnite i otpustite nožni prekidač. Valjci bi trebalo da rotiraju kao što je prikazano na Slici 5. Ako mašina ne rotira u ispravnom smeru ili nožni prekidač ne kontroliše rad mašine, nemojte je koristiti dok se ne izvrši popravka.
 - Pritisnite i držite nožni prekidač. Proverite pokretne delove da nisu pogrešno poređani, ili pogrešno ukopčani, da nema čudnih zvukova ili nekog drugog neobičnog stanja. Uklonite stopalo sa nožnog prekidača. Ako ste primetili bilo kakve neuobičajene uslove, nemojte koristiti mašinu dok se ne izvrši popravka.



Slika 5 – Smer rotacije valjaka

10. Prebacite prekidač brzine na poziciju O-OFF i suvim rukama isključite mašinu iz napajanja.

Uputstva za rad

⚠ UPOZORENJE



Nemojte nositi rukavice ili labavu odeću kada radite sa električnim nožem za cevni materijal.

Rukavi i jakne treba da budu zakopčani. Nemojte se naginjati preko mašine. Odeća može biti zahvaćena od strane mašine prouzrokujući uplitanje.

Šake držite podalje od rotirajućih delova kao što su valjci, razvrtač, točak noža i cevni materijal. Sačekajte da se delovi potpuno zaustave pre rukovanja alatom ili cevnom materijalom. Ovakva praksa će smanjiti verovatnoću uplitanja u obrtne delove.

Ispravno oslonite cevni materijal. Ovo će umanjiti rizik od udarnih povreda i lomova usled prevrtanja i pada cevnog materijala i opreme.

Jedna osoba mora kontrolisati radni proces i nožni prekidač. Samo rukovaoc treba da se nalazi u radnom prostoru tokom rada mašine. Time se smanjuje opasnost od povređivanja.

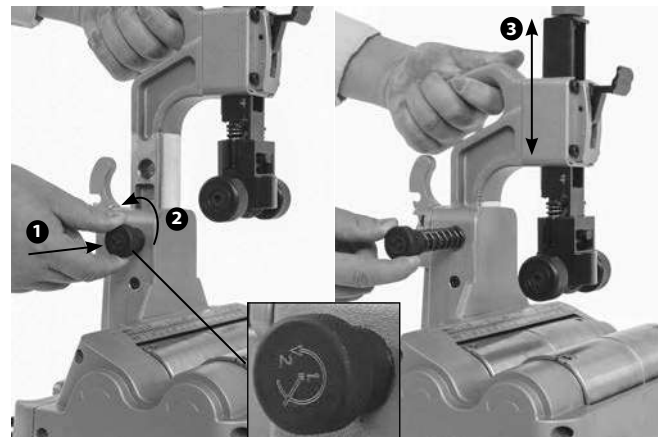
Pratite uputstva za rad da biste smanjili opasnost od teške povrede strujnim udarom, uplitanjem, nagnječenjem ili na drugi način i da biste sprečili oštećenje mašine.

Vodite računa da mašina i radni prostor budu propisno podešeni i da je radni prostor bez posmatrača i drugih stvari koje odvrćaju pažnju. Rukovaoc bi trebao biti jedina osoba u okruženju dok mašina radi.

Podešavanje noža za različite veličine cevnog materijala

Brza promena veličine

Brza promena veličine podešava cevni materijal manji od 2" (50 mm) i 2" do 4" (50 mm do 100 mm).



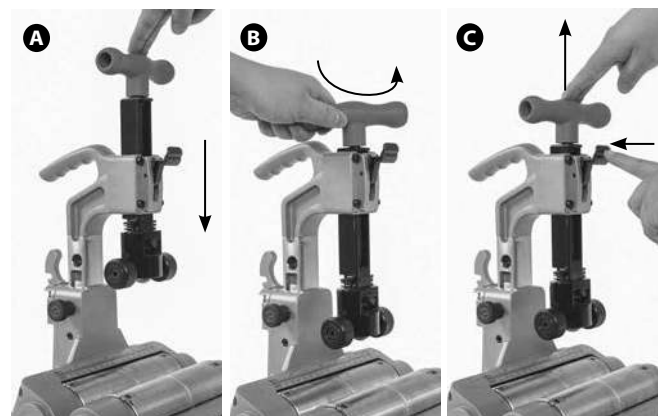
Slika 6 – Brza promena veličine

1. Bez cevnog materijala u mašini za rezanje, uhvatite ručku i otpustite klin malim izvlačenjem dugmeta ❶ i neznatno ga okrenite suprotno od kazaljke ❷. Dugme je pod naponom opruge i ponovo će se uvući, kontrolišite njegovo kretanje. *Pogledajte sliku 6.*
2. Pomoću ručke, pomerite glavu u željenu poziciju ❸.
3. Uvucite dugme za brzu promenu da biste zadržali glavu na poziciji.

Brz uvod noža

Brz uvod noža se koristi za izvlačenje i uvlačenje točka noža tokom operacije rezanja.

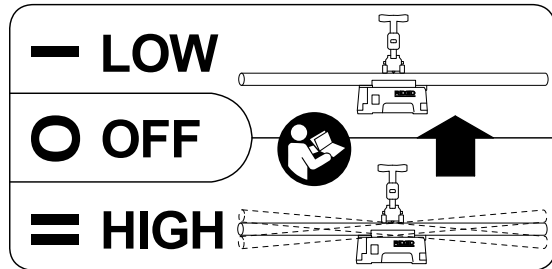
1. Da biste izvukli točak noža, pritisnite ručku nadole (Slika 7A) dok ne zahvati cevni materijal.
2. Da biste uvukli točak noža, otpustite ručku/uvodni vijak 1-2 okreta (Slika 7B) i pritisnite okidač (Slika 7C) kako biste dozvolili da se uvuče (pod naponom je opruge – kontrolišite kretanje ručke).



Slika 7 – Brz uvod: A-Izvlačenje, B-Otpuštanje, C-Uvlačenje

Izbor/promena brzine rada

Električni nož za cevni materijal ima dve radne brzine – NISKU i VISOKU, pogledajte Sliku 8.



Slika 8 – Nalepnica brzine

NISKA brzina (pozicija prekidača I-Low). Ovo smanjuje rizik od vibracije cevnog materijala i osciliranja tokom upotrebe.

Preporučuje se za cevni materijal promera 2" (50mm) i manje kao i onaj duži od 6.5' (2 m)

VISOKA brzina (pozicija prekidača II-High). Ovo će skratiti vreme rezanja.

Za cevni materijal sa promerom većim od 2" (50 mm), bilo koje dužine

Za bilo koji cevni materijal kraći od 6.5' (2 m)

Vibracije i oscilacije cevnog materijala zavise od mnogo faktora, kao što su dužina, veličina, težina, ispravljenost, poravnanje postolja, brzina valjaka itd. Ako u bilo koje vreme osetite da cevni materijal prekomerno vibrira ili oscilira, otpustite nožni prekidač. Ako se nalazi u brzini II-High, prebacite na brzinu I-Low i pokušajte ponovo. Ako se nalazi u brzini I-Low, promenite metod rezanja tog komada, kao što je ručni nož.

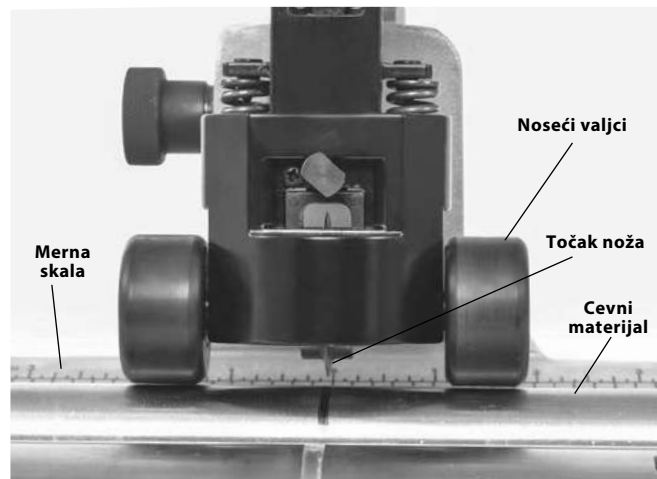
Da biste promenili brzinu, otpustite nožni prekidač i pustite da se nož potpuno zaustavi. Pomerite prekidač na željenu poziciju. Nemojte menjati radnu brzinu dok je mašina u radu.

Rezanje cevnog materijala

1. Proverite da li je cevni materijal vidljivo savijen i da li na njemu postoje priključci. Rezanje savijenog cevnog materijala ili cevnog materijala sa priključcima može izazvati prekomerne vibracije i gubitak kontrole. Upotrebite ručni nož ako je potrebno. Označite cevni materijal na traženu dužinu. Radi pogodnosti, na mašini je pridodata merna skala.
2. Ako je potrebno, podesite veličinu na električnom nožu za cevni materijal pomoću brze promene veličine.
3. Postavite cevni materijal na valjke tako da se oznaka za rezanje nalazi ispod točka noža, na nultoj oznaci skale. Ako se cevni materijal nastavlja izvan mašine, postavite

oslonce ispod cevnog materijala. Oslonice treba podesiti tako da cevni materijal leži upravno na valjcima. Ovo će osigurati pravilno praćenje rezanja. Pogledajte sliku 3.

4. Zauzmite pravilan radni položaj kako biste održavali kontrolu mašine i cevnog materijala (pogledajte Sliku 10):
 - Vodite računa da imate zgodan pristup alatima i prekidaču.
 - Budite sigurni da možete kontrolisati nožni prekidač. Nemojte još nagaziti nožni prekidač. U slučaju nezgode morate imati mogućnost da otpustite nožni prekidač.
 - Budite sigurni da imate dobru ravnotežu i ne morate da se suviše istežete.
5. Pomerajte sistem za brz uvod dok noseći valjci ne dođu u kontakt sa cevnim materijalom (Slika 9). Poravnajte točak noža sa oznakom na cevnom materijalu. Zatežite uvodni vijak kako biste doveli točak noža u kontakt sa cevnim materijalom. Nakon što točak noža uspostavi kontakt sa cevnim materijalom, pomerite uvodni vijak dodatnih 1 do 1½ okreta da biste zahvatili cevni materijal. Nemojte prekomerno pomeriti uvodni vijak, ovo cevni materijal može učiniti ovalnim i povećati formiranje hrapavosti.



Slika 9 – Noseći valjci uspostavljaju kontakt sa cevnim materijalom

6. Prebacite prekidač I-Low/O-OFF/II-High na odgovarajuću poziciju za rezanje cevnog materijala
7. Pritisnite nožni prekidač. Valjci i cevni materijal će početi da rotiraju. Šake držite podalje od rotirajućih delova.



Slika 10 – Rezanje cevnog materijala

8. Vršite napredovanje uvodnog vijka tako što polako i neprekidno zatežete vijak dok se ne izvrši rezanje cevnog materijala. Agresivno rezanje može oštetiti točak noža i izazvati prekomernu hrapavost. Zadržite noseće valjke u kontaktu sa cevnim materijalom kako biste zadržali cevni materijal na mestu.

Ako dođe do spiralnog kretanja cevnog materijala prilikom rezanja, zaustavite rezanje i proverite podešavanje mašine, posebno poravnanje postolja cevnog materijala. Različiti cevni materijali mogu tražiti malo dodatno zatezanje uvodnog vijka kako bi se poboljšalo praćenje linije.

9. Uklonite stopalo sa nožnog prekidača. Zatim prebacite prekidač I-Low/O-OFF/I-High u poziciju O-OFF.

10. Kada cevni materijal prestane da rotira, otpustite uvodni vijak 1-2 okreta i pritisnite okidač da biste potpuno uvukli točak noža. Uklonite cevni materijal.

Razvrtnje cevnog materijala



Slika 11 – Postavljanje razvrtača

1. Postavite prekidač I-Low/O-OFF/I-High u poziciju O-OFF.
2. Uklonite razvrtač iz pozicije za smeštaj i postavite ga u radnu poziciju kao što je prikazano na *Slici 11*. Proverite da li je razvrtač čvrsto postavljen.
3. Prebacite prekidač I-Low/O-OFF/I-High u poziciju I-Low.
4. Pritisnite nožni prekidač. Šake držite podalje od krajeva cevnog materijala i rotirajućih delova.
5. Čvrsto zahvatite cevni materijal. Pravilno oslonite cevni materijal da biste održali kontrolu.
6. Postavite cevni materijal preko konusa razvrtača i primenite blagi pritisak (*Slika 12*) kako biste uklonili hrapavost unutar kraja cevnog materijala. Cevni materijal nemojte silom uvoditi u razvrtač, ovo može prouzrokovati da razvrtač zahvati cevni materijal i okrene ga u vašim rukama.



Slika 12 – Razvrtnje cevnog materijala

7. Uklonite stopalo sa nožnog prekidača.
8. Postavite prekidač I-Low/O-OFF/I-High u poziciju O-OFF.
9. Uklonite razvrtač iz radne pozicije i vratite ga u poziciju za smeštaj.

Transport

1. Uklonite ili učvrstite svu labavu opremu i materijale na mašini pre pomeranja kako biste sprečili pad ili prevrtanje.
2. Postavite točak noža u donju poziciju.
3. Smotajte kabl napajanja i crevo nožnog prekidača oko kuke za kabl i pričvrstite ih kako je prikazano na *Slici 13*.
4. Podignite mašinu za ručku. Prilikom podizanja i nošenja budite pažljivi. Budite svesni težine mašine.



Slika 13 – Obmotani kabl/crevo

Skladištenje

⚠ UPOZORENJE Električni nož za cevni materijal se mora čuvati na suvom i u prostoriji ili dobro pokriven ako se čuva napolju. Skladištite mašinu u zaključanom prostoru izvan domašaja dece i osoba koje nisu upoznate sa električnim nožem za cevni materijal. U rukama korisnika koji nisu obučeni mašina može prouzrokovati teške povrede.

Uputstva za održavanje

⚠ UPOZORENJE
Vodite računa da prekidač bude u poziciji O-OFF i da mašina bude isključena iz struje pre sprovođenja bilo kakvog održavanja ili podešavanja.

Održavajte nož u skladu sa ovim procedurama da biste smanjili opasnost od povrede strujnim udarom, uplitanjem i na drugi način.

Čišćenje

Pažljivo očistite mašinu nakon svake upotrebe čistom suvom krpom. Održavajte čistoću valjaka i uklonite prljavštinu i ostatake.

Radi maksimalne efikasnosti održavajte čistoću razvrtača i uklonite opiljke.

Očistite prašinu i ostatke sa ventilacionih otvora motora.

Podmazivanje

Jednom mesečno (ili češće ako je potrebno) podmažite sve izložene pokretne delove električnog noža za cevni materijal i postolje PC116TS (kao što su uvodni vijak, sistem za brz uvod i obrtne tačke) uljem za podmazivanje. Obrišite svo suvišno ulje sa izloženih površina.

Promena točka noža

Pogledajte poglavlje *Tehnički podaci* za pravilan izbor točka noža. Menjajte točak noža kada režete različite materijale, zamenite ga kada rezne ivice postanu iskrzane ili tupe. Na mašinu se može postaviti dodatni točak noža. Pogledajte sliku 13.

1. Uklonite klin. Držač točka će oslobođen ispasti (Slika 14).



Slika 14 – Skidanje držača točka

2. Uklonite osigurač točka i točak noža/ležaj (Slika 15).
3. Provera ležaja. Ležaj bi trebao da se slobodno kreće. Zamenite ga ako je potrebno.
4. Suprotan postupak pri postavljanju točka noža.



Slika 15 – Promena točka noža

Zaštita od prekomerne struje

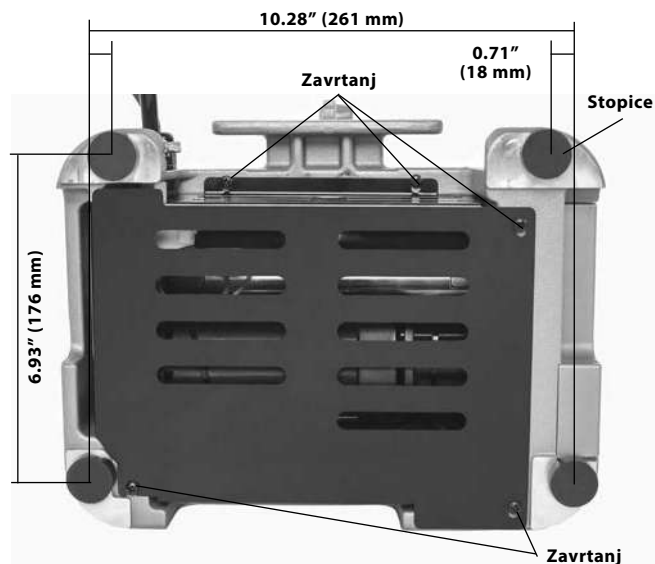
Nož poseduje zaštitu od prekomerne struje koja isključuje mašinu kako bi zaštitila motor ako prekomerno izvlači struju.

Ako se mašina neočekivano isključi, otpustite nožni prekidač. Postavite prekidač u poziciju O-OFF i isključite mašinu iz napajanja. Uklonite cevni materijal iz mašine. Pratite poglavlja Pregled pre upotrebe i Podešavanje mašine i radnog prostora kako biste proverili da li mašina ispravno funkcioniše.

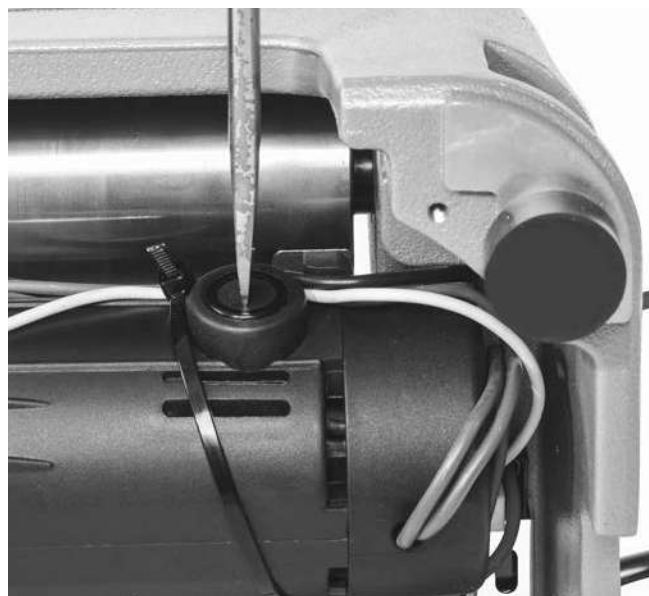
Promena četkica motora

Četkice motora proverite svakih šest meseci, četkice treba promeniti ako je njihova dužina manja od 5 mm (0.2").

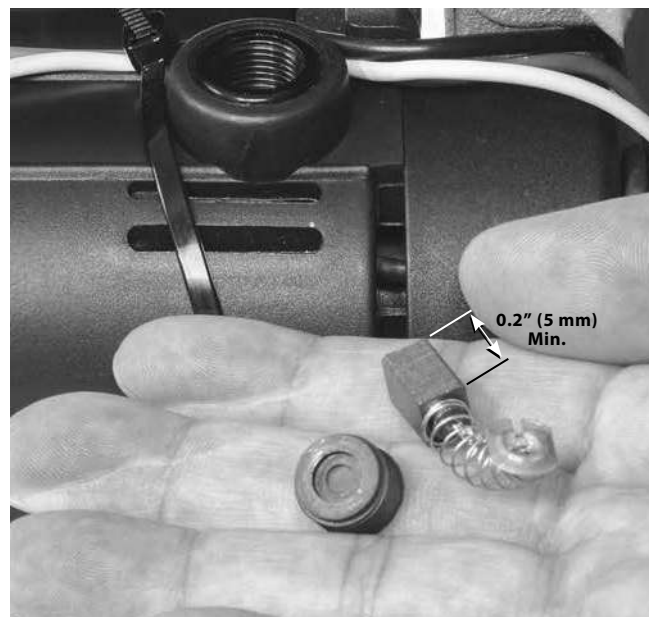
1. Proverite da li je prekidač u poziciji O-OFF i da li je mašina isključena iz napajanja.
2. Otpustite pet zavrtnjeva koji drže donji poklopac (Slika 16) i uklonite poklopac (neki zavrtnji ostaju na poklopcu).
3. Pomoću odvijača odvrnite i uklonite kapice četkica (Slika 17). Pažljivo skinite grafitne četkice i proverite dužinu (Slika 18). Ako je dužina četkica manja od 5 mm (0.2"), zamenite ih.
4. Postavite četkicu u držač četkice, ispravno poravnajući jezičke četkica sa ispuštima na držaču četkica.
5. Čvrsto zategnite kapice četkica. Vratite donji poklopac.
6. Kada se mašina ponovo sklopi, pustite je da radi pri brzini II-High u trajanju od pet minuta, bez cevnog materijala u mašini radi uhadavanja četkica.



Slika 16 – Zavrtnji donjeg poklopca



Slika 17 – Skidanje kapice četkice



Slika 18 – Provera dužine četkice

Skenirajte QR kod ispod da biste pristupili literaturi i video materijalu u vezi PC116/PTC-400.



Lociranje i uklanjanje kvarova

PROBLEM	MOGUĆI RAZLOZI	REŠENJE
Prekomerne vibracije tokom rada.	Pogrešna brzina rada.	Pogledajte poglavlje <i>Izbor brzine rada</i> .
	Rezanje savijenog cevnog materijala.	Nemojte rezati vidljivo savijen cevni materijal. Upotrebite ručni nož.
	Dug cevni materijal bez pravilnog oslanjanja.	Oslonite dug cevni materijal pomoću postolja za cevi.
Mašina ne reže pravilno cevni materijal.	Mašina nije pravilno montirana.	Pravilno montirajte mašinu na ravnu površinu, pričvrstite je montažnim zavrtnjima.
	Istrošen točak noža.	Zamenite istrošen točak noža.
Mašina se zaustavlja prilikom rezanja.	Upotreba cevnog materijala nepravilne veličine ili materijala.	Upotrebite pravilan tip cevnog materijala (pogledajte poglavlje <i>Tehnički podaci</i>).
	Agresivno uvođenje točka noža prilikom rezanja.	Pažljivo uvedite točak noža.
Mašina ne radi.	Četkice motora su istrošene.	Postavite nove četkice motora.
	Aktivirana zaštita od prekomerne struje.	<i>Pratite uputstva u slučaju prekomerne struje motora u poglavlju Održavanje.</i>
Prekomerna hrapavost ili deformacija kraja cevnog materijala.	Istrošen ili oštećen točak noža.	Zamenite točak noža.
	Agresivno uvođenje točka noža prilikom rezanja.	Pažljivo uvedite točak noža.
Mašina se zaustavlja dok je nožni prekidač pritisnut. Ponovo se pokreće kada se nožni prekidač otpusti.	Rupa u nožnom prekidaču/crevu.	Zamenite nožni prekidač.
	Vazdušni prekidač propušta.	Ako se ne pronađu problemi sa nožnim prekidačem/crevom, zamenite vazdušni prekidač.

Servisiranje i popravke

⚠ UPOZORENJE

Neodgovarajuće servisiranje ili popravka može učiniti mašinu opasnom za rad.

Uputstvo za održavanje se odnosi na većinu servisnih potreba ove mašine. Sve probleme koji nisu navedeni u ovom poglavlju treba da otkloni isključivo RIDGID servisni centar. Koristite isključivo RIDGID servisne delove.

Za informacije o najbližem RIDGID-ovom nezavisnom servisnom centru ili pitanja o servisu i popravci *pogledajte poglavlje Kontaktne informacije* u ovom uputstvu.

Opcionalna oprema

⚠ UPOZORENJE

Da biste smanjili rizik od teške povrede, koristite isključivo dodatnu opremu koja je konstruisana i preporučena za rad sa električnim nožem za cevni materijal RIDGID PC116/PTC-400, kao što je ona navedena ispod.

Kataloški br.	Opis
64903	Postolje za cevni materijal PC116TS za upotrebu uz PC116/PTC-400
66253	Grafitna četkica motora PC116 220-240V
66248	Grafitna četkica motora PC116 100-120V
56662	Visoko postolje za cevi sa V-glavom VJ-99 28" - 52"
64908	Razvrtač 137S za PC116/PTC-400
66938	Točak noža E850 (za metalni cevni materijal)
66943	Točak noža E855 (za plastični cevni materijal)
64898	Ležaj točka noža

Za kompletan spisak raspoložive RIDGID opreme za ove alate, pogledajte online Ridge Tool katalog na RIDGID.com ili pogledajte *Kontaktne informacije*.

Odstranjenje

Delovi ovih alata sadrže vredne materijale i mogu se reciklirati. Pronađite lokalne firme koje se bave reciklažom. Odstranite sastavne delove u skladu sa svim primenjivim zakonskim propisima. Kontaktirajte lokalnu instituciju za upravljanje otpadom za više informacija.



Za države EU: Nemojte odlagati električnu opremu sa otpadom iz domaćinstva!

U skladu sa Evropskom smernicom 2012/19/EU o otpadnoj električnoj i elektronskoj opremi i njenom primenom u lokalnom zakonodavstvu, električna oprema koja se više ne može upotrebiti, mora se odvojeno sakupiti i odložiti na odgovarajući ekološki način.

Электрический труборез РС116/РТС-400



⚠ ВНИМАНИЕ!

Перед началом эксплуатации прибора внимательно прочитайте данное Руководство по эксплуатации. Непонимание и несоблюдение содержания данного руководства может привести к поражению электрическим током, пожару и/или серьезной травме.

Электрический труборез РС116/РТС-400

Запишите ниже серийный номер и сохраните серийный номер, указанный на фирменной табличке.

Серий-
ный №

Содержание

Бланк для регистрации серийного номера машины	327
Знаки безопасности	329
Основные предупреждения по безопасному использованию электроинструмента	329
Безопасность в рабочей зоне.....	329
Электробезопасность.....	329
Личная безопасность.....	330
Использование электроинструмента и уход за ним.....	330
Обслуживание.....	331
Информация по технике безопасности при работе с данным инструментом	331
Контактная информация RIDGID	331
Описание	332
Технические характеристики	332
Стандартное оборудование.....	333
Сборка	333
Установка на верстаке.....	333
Предэксплуатационный осмотр	333
Подготовка машины и рабочей зоны	334
Подставка PC116TS/регулировка.....	335
Руководство по эксплуатации	336
Регулировка трубореза под трубы разных размеров.....	336
Выбор/изменение рабочей скорости.....	337
Резка трубы.....	337
Зенковка трубы.....	338
Транспортировка.....	338
Хранение	339
Инструкция по техническому обслуживанию	339
Чистка.....	339
Смазка.....	339
Замена режущего ролика.....	339
Защита электродвигателя от перегрузки по току.....	340
Замена щеток электродвигателя.....	340
Поиск и устранение неисправностей.....	342
Обслуживание и ремонт.....	342
Дополнительные принадлежности	343
Утилизация	343
Декларация соответствия CE	Внутренняя сторона задней обложки
Пожизненная гарантия	Задняя обложка

* Перевод исходных инструкций

Знаки безопасности

В данном руководстве по эксплуатации и на продукте обозначения техники безопасности и сигнальные слова используются для сообщения важной информации по безопасности. В данном разделе приведено пояснение значения этих сигнальных слов и обозначений.



Это обозначение опасности. Оно используется, чтобы предупредить вас о потенциальной опасности получить травму. Соблюдайте требования всех сообщений по технике безопасности, которые следуют за данным знаком, чтобы избежать возможных травм или летального исхода.

ОПАСНОСТЬ

ОПАСНОСТЬ указывает на опасную ситуацию, которая, если ее не избежать, приведет к летальному исходу или к серьезной травме.

ВНИМАНИЕ

ВНИМАНИЕ указывает на опасную ситуацию, которая, если ее не избежать, может привести к летальному исходу или к серьезной травме.

ОСТОРОЖНО

ОСТОРОЖНО указывает на опасную ситуацию, которая, если ее не избежать, может привести к незначительной травме или к травме средней тяжести.

ПРЕДУПРЕЖДЕНИЕ

ПРЕДУПРЕЖДЕНИЕ указывает на информацию, относящуюся к защите имущества.



Этот символ означает "внимательно прочитайте руководство по эксплуатации перед использованием оборудования". Руководство по эксплуатации содержит важную информацию по безопасной и правильной работе с оборудованием.



Этот символ означает "всегда надевайте защитные очки с боковыми щитками или закрытые защитные очки при транспортировке или эксплуатации этого оборудования, чтобы снизить риск повреждения глаз".



Этот символ указывает на опасность поражения электрическим током.



Этот символ указывает на опасность того, что руки, пальцы или другие части тела могут быть защемлены или захвачены роликами или другими движущимися деталями.



Данный символ обозначает опасность отрезания рук, пальцев или других частей тела вращающимися или движущимися деталями.



Этот символ указывает на риск опрокидывания станка, что может привести к травмам или переломам.



Этот символ означает "для снижения риска попадания пальцев в механизмы запрещается работать со станком в перчатках".

Основные предупреждения по безопасному использованию электроинструмента*

ВНИМАНИЕ

Прочтите все предупреждения по безопасному использованию, изучите инструкции, иллюстрации и технические характеристики, предоставляемые с этим электроинструментом. Несоблюдение всех перечисленных ниже инструкций может привести к поражению электрическим током, пожару и/или серьезной травме.

СОХРАНИТЕ ВСЕ ПРЕДУПРЕЖДЕНИЯ И ИНСТРУКЦИИ ДЛЯ ПОСЛЕДУЮЩЕГО ИСПОЛЬЗОВАНИЯ!

Используемый в предупреждениях термин «электроинструмент» относится к электроинструментам с питанием от сети (со шнуром питания) и от аккумулятора (без шнура питания).

Безопасность в рабочей зоне

- **Рабочая зона должна быть расчищена и хорошо освещена.** Несчастные случаи происходят, как правило, в загроможденных и слабоосвещенных зонах.
- **Запрещается использовать электроинструменты во взрывоопасных средах, то есть при наличии горючих жидкостей, газов или пыли.** Электроинструмент создает искры, которые могут привести к воспламенению пыли или газов.
- **Не допускается присутствие детей и посторонних лиц во время работы с электроинструментом.** Отвлечение внимания может привести оператора к потере управления инструментом.

Электробезопасность

- **Вилки на шнурах питания электроинструмента должны подходить к сетевым розеткам. Запрещается какое-либо изменение конструкции вилки. Запрещается использование любых переходных вилок для электроинструмента с заземлением (заземленного).** Использование немодифицированных вилок и соответствующих розеток снижает опасность поражения током.

* Текст, приведенный в разделе "Основные предупреждения по безопасному использованию электроинструмента" в данном руководстве, извлечен дословно, как требуется, из действующего стандарта UL/CSA/EN 62841-1. В этом разделе содержатся общие правила техники безопасности для различных видов электроинструментов. Не все меры предосторожности распространяются на все электроинструменты, к данному электроинструменту применяются не все меры предосторожности.

- **Не прикасайтесь к заземленным или замкнутым на землю поверхностям, например, к трубам, радиаторам, кухонным печам и холодильникам.** Если тело человека заземлено или замкнуто на землю, опасность поражения электротоком повышается.
- **Запрещается подвергать электроинструмент воздействию дождя или влаги.** Проникновение воды внутрь электроинструмента увеличивает опасность поражения электрическим током.
- **Обращайтесь со шнуром электропитания надлежащим образом.** Запрещается использовать шнур питания для переноски или передвижения инструмента, а также для отключения его от электросети. **Оберегайте шнур от воздействия тепла, смазочных материалов, острых краев и движущихся деталей устройств.** Использование поврежденных или запутанных шнуров повышают опасность поражения электрическим током.
- **При эксплуатации электроинструмента вне помещения используйте соответствующий удлинитель.** Применение шнура электропитания, предназначенного для эксплуатации вне помещений, снижает опасность поражения электрическим током.
- **Если приходится применять электроинструмент во влажном месте, используйте источник электропитания, оборудованный устройством защитного отключения (УЗО).** Использование УЗО снижает опасность поражения электрическим током.

Личная безопасность

- **Будьте внимательны, контролируйте выполняемые действия и пользуйтесь здравым смыслом при работе с электроинструментом.** Запрещается эксплуатировать электроинструмент, находясь в состоянии усталости или под действием наркотиков, алкоголя или лекарственных препаратов. Потеря концентрации при работе с электроинструментами может привести к серьезным травмам.
- **Используйте индивидуальные средства защиты. Всегда надевайте защитные очки.** Использование в соответствующих условиях пылезащитной маски, ботинок с нескользящими подошвами, каски, берушей или других защитных средств снижает травмоопасность.
- **Не допускайте непреднамеренного запуска электроинструмента.** Прежде чем брать электроинструмент в руки, переносить его или подключать к источнику постоянного и (или) батарейного питания, удостоверьтесь, что переключатель находится в положении **ВЫКЛ.** Переноска электроинструментов с пальцем на переключателе или подзарядка

инструмента с переключателем в положении ВКЛ может привести к несчастному случаю.

- **Перед включением электроинструмента следует убрать любые гаечные ключи.** Регулировочный или гаечный ключ, оставленный присоединенным к вращающейся детали, может привести к травме.
- **Не пытайтесь дотянуться. Всегда сохраняйте устойчивое положение и равновесие.** Это обеспечивает более уверенное управление электроинструментом в непредсказуемых ситуациях.
- **Надевайте подходящую одежду. Не надевайте свободную одежду или украшения. Оберегайте волосы и одежду от движущихся частей.** Свободная одежда, украшения или длинные волосы могут попасть в движущиеся части.
- **Если в устройствах предусмотрено подсоединение к пылесосистелям и пылесборникам, проследите за тем, чтобы они были подсоединены и использовались правильно.** Использование пылесборников снижает риски, связанные с пылью.
- **Не допускайте состояния расслабленности и пренебрежения правилами безопасности, которые могут возникнуть при постоянном использовании инструмента.** Неосторожное действие может за долю секунды причинить серьезную травму.

Использование электроинструмента и уход за ним

- **Не перегружайте электроинструмент. Используйте соответствующий инструмент для каждого вида работы.** Правильный выбор электроинструмента в соответствии с его предназначением обеспечивает более качественное, безопасное и быстрое выполнение работы.
- **Не используйте электроинструмент с неисправным выключателем.** Электроинструмент, который нельзя включить или выключить, представляет опасность и подлежит ремонту.
Отсоедините вилку от источника питания и/или аккумулятор, если от отсоединяется, прежде чем выполнить какие-либо регулировки, замену принадлежностей или убрать инструмент на хранение. Такие профилактические меры уменьшают риск непреднамеренного включения электроинструмента.
- **Храните неиспользуемые электроинструменты вдали от детей. Не допускайте использования электроинструмента лицами, не работавшими ранее с инструментом и не ознакомленными с данными инструкциями.** Электроинструменты представляют опасность в руках неквалифицированных пользователей.

- **Выполняйте надлежащее техническое обслуживание электроинструмента. Следите за тем, чтобы движущиеся части были отрегулированы и закреплены. Устраняйте поломки деталей или любые другие факторы, которые могут отрицательно повлиять на работу инструмента. В случае выхода электроинструмента из строя его необходимо отремонтировать до начала работы.** Многие несчастные случаи происходят вследствие применения электроинструментов, не прошедших надлежащего техобслуживания.
- **Следите за тем, чтобы режущие насадки были острыми и чистыми.** Режущий инструмент с острыми режущими кромками, за которым ведется надлежащий уход, реже заедает и более удобен в работе.
- **Используйте электроинструменты, принадлежности, рабочие наконечники и пр. в соответствии с настоящими инструкциями, принимая во внимание условия и цели эксплуатации.** Использование электроинструмента не по назначению может стать причиной опасной ситуации.
- **Следите за тем, чтобы ручки и захватные поверхности были сухими и чистыми; не допускайте попадания на них масла или смазки.** Скользкие ручки и захватные поверхности препятствуют безопасному обращению и управлению инструментом в непредвиденных ситуациях.

Обслуживание

- **Ремонт электроинструмента следует поручать квалифицированному персоналу и на замену использовать только идентичные запчасти.** Только таким образом гарантируется безопасность при использовании электроинструмента.

Информация по технике безопасности при работе с данным инструментом

▲ ВНИМАНИЕ

В данном разделе содержится важная информация о безопасности, имеющая отношение именно к данному инструменту.

Перед использованием электрического трубореза PC116/PTC-400 внимательно изучите указанные меры предосторожности. Их соблюдение снизит угрозу поражения электрическим током или получения других серьезных травм.

СОХРАНИТЕ ВСЕ ПРЕДУПРЕЖДЕНИЯ И ИНСТРУКЦИИ ДЛЯ ПОСЛЕДУЮЩЕГО ИСПОЛЬЗОВАНИЯ!

Храните данную инструкцию рядом с инструментом для ее использования оператором.

- **Во время работы с электрическим труборезом надевайте перчатки или свободную одежду. Рукава и пуговицы на одежде должны быть застегнуты.** Не нагибайтесь над электроинструментом. Одежда может быть затянута инструментом, что приведет к запутыванию.
- **Держите руки подальше от вращающихся частей, таких как ролики, зенковка, режущий ролик и труба. Дождитесь полной остановки деталей, прежде чем выполнять манипуляции с инструментом или трубой.** Такой порядок работы снижает вероятность затягивания во вращающиеся детали.
- **Устанавливайте станок на устойчивом верстаке или подставке. Обеспечьте надлежащую опору для труб.** Это снизит риск травм от ударов и защемлений в результате опрокидывания и падения трубы и оборудования.
- **Не режьте заметно погнутые трубы с или трубы с присоединенными фитингами.** Снижает риск чрезмерной вибрации и потери контроля над машиной и/или трубами.
- **Всегда используйте соответствующие средства защиты глаз и средства индивидуальной защиты.** Режущие инструменты могут разрушиться или расколоться. Это снижает риск получения травм.
- **Один человек должен контролировать рабочий процесс и управлять ножным выключателем.** Во время работы инструмента в рабочей зоне должен находиться только оператор. Это позволяет снизить риск получения травм.
- **С целью уменьшения риска получения серьезной травмы прочитайте и изучите эту инструкцию, а также инструкции и предупреждения, касающиеся всех используемых материалов и оборудования, до начала работы с этим инструментом.**

Контактная информация RIDGID

Если у вас возникли вопросы, касающиеся данного изделия RIDGID®:

- Обратитесь к местному дистрибьютору RIDGID®.
- Чтобы найти контактный телефон местного дистрибьютора RIDGID, войдите на сайт RIDGID.com.
- Обратитесь в Отдел технического обслуживания компании Ridge Tool по адресу rtctechservices@emerson.com. В США и Канаде можно также позвонить по номеру (800) 519-3456.

Описание

Электрический труборез RIDGID® PC116/PTC-400 предназначен для резки металлических и пластиковых труб/каналов с номинальным размером от 1/2" до 4" (от 12 до 100 мм).

Двухскоростной переключатель контролирует скорость ролика, а пневматический ножной переключатель обеспечивает включение/выключение двигателя. Для измерения труб имеется шкала. Электрический труборез легкий и компактный, что упрощает его транспортировку.

Имеется дополнительная зенковка для удаления заусенцев с внутренней стороны труб размером до 2" (50 мм).

Труборез не предназначен для использования с трубами.

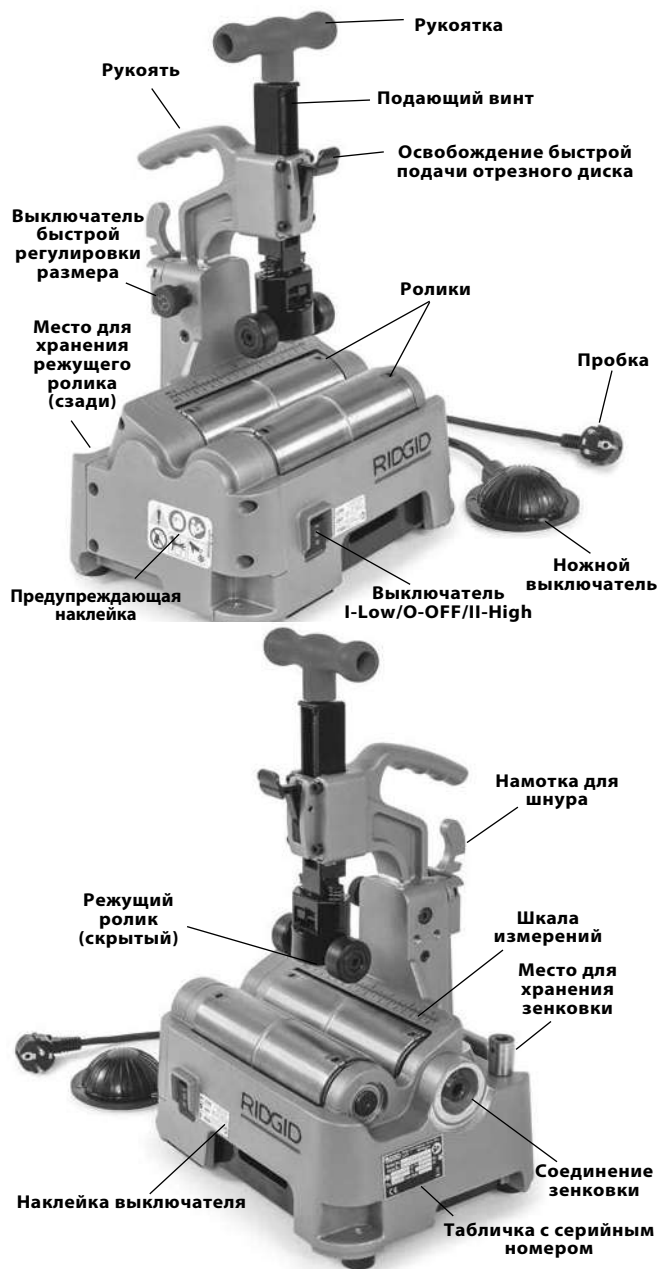


Рис. 1 - Электрический труборез RIDGID® PC116/PTC-400



Рис. 2 – Серийный номер инструмента

Серийный номер машины указан на боковой стороне трубореза. Последние 4 цифры обозначают месяц и год выпуска. (10 = месяц, 19 = год).

Технические характеристики

Номинальный размер трубы
 Режущая способность от 1/2" до 4" (от 12 мм до 100 мм)
 Текущая режущая способность от 1/2" до 4,5" (от 12 мм до 116 мм)

Материал трубы/канала	Максимальная толщина стенки	Режущий ролик	
		E-850	E-855
Углеродистая сталь	0.1" (2,5 мм)	X	
Нержавеющая сталь	0.1" (2,5 мм)	X	
Алюминий	0.1" (2,5 мм)	X	
Медь	0.1" (2,5 мм)		X
Пластмасса	0.23" (6 мм)		X

* Только общие рекомендации. Состав материала, твердость и другие факторы влияют на режущую способность, срок службы режущего ролика, образование заусенцев и тд.

Номинальный диаметр трубы для развертки от 1/2" до 2" (от 12 мм до 50 мм) (опциональное дополнительное приспособление)

Макс. длина трубы 20' (6 м)

Электродвигатель

Тип.....	Универсальный	
Напряжение	100-120 В	220-240 В
Ток.....	5,8 А	3,0 А
Частота.....	50/60 Гц	50/60 Гц
Мощность	705 Вт	705 Вт

Информацию для конкретного устройства см. на табличке с серийным номером изделия.

Скорость вращения ролика 190/363 об/мин для 220-240 В, 225/385 об/мин для 100-120 В

Органы управления	Выключатель I-LOW/O-OFF/ II-HIGH и ножной выключатель включения/выключения
Масса	32 фунта (14,5 кг)
Габаритный размер Д x Ш x В.....	11.6" x 9.4" x 15.9" (295 мм x 239 мм x 403 мм)
Рабочая температура	-4 °F – 122 °F (-20 °C – 50 °C)
Уровень звукового давления (L _{PA})*	82,3 дБ(A), K=3
Уровень звуковой мощности (L _{WA})*	93,3 дБ(A), K=3

* Измерения уровня звука выполняются в соответствии со стандартизованным тестом согласно стандарту EN 62481-1.

- Уровни производимых шумов могут изменяться в зависимости от вашего местоположения и конкретного использования этих инструментов.
- Ежедневные уровни экспозиции шумам следует оценивать для каждого конкретного применения и при необходимости принимать соответствующие меры безопасности. В оценке уровней экспозиции следует учитывать время, в течение которого инструмент выключен и не используется. Это может значительно снизить уровень экспозиции в течение всего рабочего периода.

Стандартное оборудование

Информацию о поставляемых принадлежностях с указанием конкретных каталожных номеров станков см. в каталоге RIDGID.

ПРЕДУПРЕЖДЕНИЕ Ответственность за выбор соответствующих материалов и способов установки, соединения и обработки несет инженер-конструктор и/или монтажник системы. Выбор ненадлежащих материалов и методов может привести к выходу системы из строя.

Нержавеющая сталь и другие коррозионностойкие материалы могут загрязняться во время установки, соединения и обработки. Такое загрязнение может привести к коррозии и к преждевременному выходу трубы из строя. Тщательная оценка материалов и методов конкретных условий эксплуатации, в том числе применяемых химикатов и температуры, должна быть завершена до начала любых монтажных работ.

Чтобы снизить риск загрязнения нержавеющей стали железом, убедитесь, что ролики чистые и на них нет мусора. Тщательно очистите щеткой из нержавеющей стали. Замените режущий ролик и зенковку перед использованием материала из нержавеющей стали. Лучше всего использовать труборез для нержавеющей стали.

Сборка

⚠ ВНИМАНИЕ

Для снижения риска тяжелых травм во время использования соблюдайте следующие процедуры надлежащей сборки. Перед сборкой необходимо установить переключатель в положение ВЫКЛ и отсоединить станок от электропитания.

Установка на верстаке

Машину можно устанавливать на ровный устойчивый верстак. Чтобы установить устройство на верстак, отвинтите резиновые ножки по четырем углам основания машины (см. рис. 16) и используйте болты M8, чтобы закрепить машину на столе. Плотнo затяните.

Предэксплуатационный осмотр

⚠ ВНИМАНИЕ



Перед каждым использованием следует проверить электрический труборез и устранить малейшие неисправности, чтобы снизить риск серьезной травмы в результате поражения электротоком, запутывания, заземления и пр., а также предотвратить повреждение машины.

1. Убедитесь, что электрический труборез не подсоединен к сети электропитания.
2. Очистите машину и оборудование, в том числе рукоятки и органы управления. Это облегчает осмотр и помогает предотвратить выскальзывание инструмента или органа управления из рук. Выполняйте очистку и обслуживание машины в соответствии с инструкциями по техническому обслуживанию.
3. Осмотрите электрический труборез на наличие:
 - Повреждений или видоизменений шнура и вилки.
 - Правильность сборки, техническое состояние и комплектацию.
 - Отсутствие поломанных, изношенных, потерянных, несоосных или заедающих деталей или иных повреждений.
 - Наличие и работу ножного выключателя. Убедитесь, что ножной выключатель присоединен, находится в исправном состоянии, плавно включается, выключается и не заедает.
 - Свободное перемещение подающего винта, режущего ролика и опорных роликов.
 - Наличие и разборчивость предупреждающих и прочих наклеек (см. рис. 1).
 - Проверьте отсутствие износа, деформации, сколов или иных дефектов на режущих кромках режущего ролика и зенковки. Затупившиеся, поврежденные или незакрепленные режущие ролики могут повредить инструмент, привести к некачественной резке и повысить риск травмы.

- Если вы используете подставку (подставки) PC116TS, очистите, осмотрите и смажьте при необходимости.
- Отсутствие любых условий, которые могут воспрепятствовать безопасной и нормальной эксплуатации.

При обнаружении каких-либо проблем устраните их, прежде чем использовать инструмент.

4. Осматривайте и выполняйте обслуживание используемого дополнительного оборудования согласно инструкциям, чтобы обеспечить его надлежащее функционирование.

Подготовка машины и рабочей зоны

⚠ ВНИМАНИЕ



Подготовьте электрический труборез и рабочую зону в соответствии с данными процедурами,

чтобы снизить риск серьезных травм в результате поражения электрическим током, запутывания, защемления и других причин, а также для предотвращения повреждения машины.

1. Проверьте рабочую зону по следующим позициям:
 - Наличие соответствующего освещения.
 - Отсутствие воспламеняющихся жидкостей, паров или пыли. При наличии таковых, не следует приступать к работе в этой зоне до тех пор, пока источники опасностей не будут определены и устранены. Труборез не имеет взрывозащищенного исполнения и может создавать искры.
 - Наличие чистого, ровного, устойчивого и сухого места для оператора и всего оборудования.
 - Наличие правильно заземленной электрической розетки соответствующего напряжения. Требуемое напряжение проверьте по табличке с серийным номером машины. Наличие трех штырей или УЗО в розетке не означает, что она заземлена должным образом. При возникновении сомнений розетка подлежит проверке квалифицированным электриком.
2. Внимательно изучите работу, которую необходимо выполнить. Определите материал, тип и размер трубы. Выберите надлежащее оборудование, соответствующее задаче. См. раздел "Технические характеристики".
3. Убедитесь, что применяемое оборудование было надлежащим образом осмотрено и смонтировано.

4. Установите машину на ровную, устойчивую поверхность. См. "Установка на верстаке" в разделе "Сборка". Убедитесь, что устройство занимает устойчивое и надежное положение.
5. Если труба выходит за пределы машины более чем на 6 дюймов (15 см), используйте одну или несколько подходящих подставок для поддержки трубы. Подставки располагайте на одной линии с роликами. Для более длинных труб может потребоваться более одной подставки. Используйте только подставки, специально предназначенные для этой цели. Применение ненадлежащих подставок или удержание трубы рукой может стать причиной травмы в результате опрокидывания или затягивания в движущиеся детали. Не превышайте указанную грузоподъемность подставки. Когда труборез и подставка находятся в одной плоскости, для поддержки трубы используйте подставку для труб RIDGID PC116TS.

При работе на верстаке или другом приподнятом рабочем месте для поддержки трубы можно использовать различные подставки для труб RIDGID. При использовании PC116/PTC-400 на земле для поддержки трубы используйте подставку для труб RIDGID PC116TS. См. рис. 3.



Рис. 3 - Расположение подставки

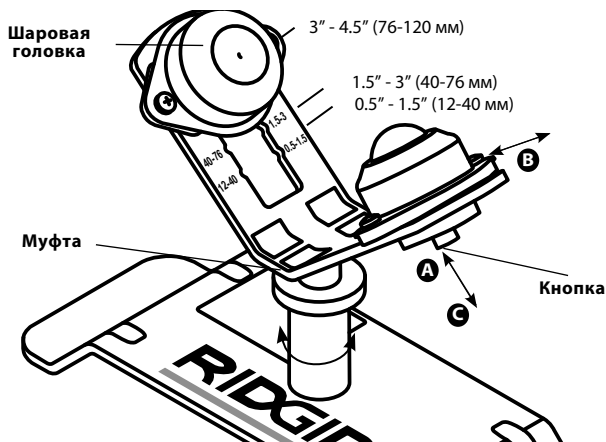


Рис. 4 - Регулировка подставки PC116TS

Подставка PC116TS/регулировка

Подставка PC116TS является опциональным приспособлением, разработанным для использования с труборезом PC116/PTC-400 и не предназначенным для других целей.

Чтобы отрегулировать шаровые головки под размер трубы:

- Нажмите кнопку **A**
- Переместите шаровую головку в положение требуемого размера трубы (см. рис. 4) **B**
- Отпустите кнопку - убедитесь в надежном расположении **C**

Чтобы отрегулировать высоту подставки, поверните муфту, чтобы поднять или опустить головку подставки. Подставка предназначена для размещения на той же плоской поверхности, что и труборез PC116/PTC-400. См. рис. 3. При необходимости можно использовать подкладочные подкладки (например, деревянные бруски), чтобы поднять подставку.

- Ограничьте доступ или установите ограждения или барьеры, чтобы обеспечить свободное пространство не менее 3 футов (1 м) вокруг машины и трубы. Это поможет предотвратить касание трубы или станка посторонними лицами и снизить опасность опрокидывания или затягивания в движущиеся детали.
- Чтобы обеспечить правильное рабочее положение разместите ножной выключатель как показано на Рис. 8.
- Когда переключатель находится в положении O-OFF, проложите по свободному пути. Сухими руками вставьте сетевой шнур питания в розетку с надлежащим заземлением. Следите за тем, чтобы все соединения были сухими и не соприкасались с землей. Если шнур питания имеет недостаточную длину,

используйте удлинитель, отвечающий следующим требованиям:

- Находится в исправном состоянии.
 - Имеет трехконтактную вилку, как на электрическом труборезе.
 - Предназначен для использования на открытом воздухе.
 - Имеет достаточный размер провода. Для удлинителей длиной до 50' (15,2 м) используйте 14 AWG (2,5 мм²) или тяжелее. Для удлинителей длиной 50'-100' (15,2-30,5 м) используйте 12 AWG (2,5 мм²) или тяжелее.
- Проверьте правильную работу электрического трубореза. Чистыми руками:

- Переместите переключатель скорости в положение низкой скорости I-LOW. Нажмите и отпустите ножной выключатель. Ролики должны вращаться, как показано стрелками на рис. 5. Если машина вращается в другом направлении, или ножной выключатель не управляет работой машины, запрещается использовать машину, пока она не будет отремонтирована.
- Нажмите и удерживайте ножной выключатель. Проверьте движущиеся детали на предмет перекосов, заедания, посторонних шумов и других необычных состояний. Уберите ногу с ножного выключателя. При обнаружении каких-либо проблем устраните их, прежде чем использовать станок.



Рис. 5 - Направление вращения роликов

- Переведите переключатель скорости в положение O-OFF (Выкл) и сухими руками отключите машину от электропитания.

Руководство по эксплуатации

⚠ ВНИМАНИЕ



Во время работы с электрическим труборезом не надевайте перчатки или свободную одежду.

Рукава и пуговицы на одежде должны быть застегнуты. Не нагибайтесь над электроинструментом. Одежда может быть затянута инструментом, что приведет к запутыванию.

Держите руки подальше от вращающихся частей, таких как ролики, зенковка, режущий ролик и труба. Дождитесь полной остановки деталей, прежде чем выполнять манипуляции с инструментом или трубой. Такой порядок работы снижает вероятность затягивания во вращающиеся детали.

Обеспечьте надлежащую опору для труб. Это снижает риск травм от ударов и защемлений в результате опрокидывания и падения трубы и оборудования.

Один человек должен контролировать рабочий процесс и управлять ножным выключателем. Во время работы инструмента в рабочей зоне должен находиться только оператор. Это позволяет снизить риск получения травм.

Следуйте инструкциям по эксплуатации, чтобы снизить риск получения серьезных травм в результате поражения электрическим током, запутывания, защемления и других причин и с целью предотвращения повреждения машины.

Убедитесь, что машина и рабочая зона подготовлены должным образом, и в рабочей зоне нет посторонних и других отвлекающих моментов. Только оператор должен находиться в рабочей зоне во время работы машины.

Регулировка трубореза под трубы разных размеров

Выключатель быстрой регулировки размера

Выключатель быстрой регулировки размера обеспечивает быстрое переключение между диапазоном размеров труб от 2" (50 мм) и меньше и от 2" до 4" (от 50 мм до 100 мм).

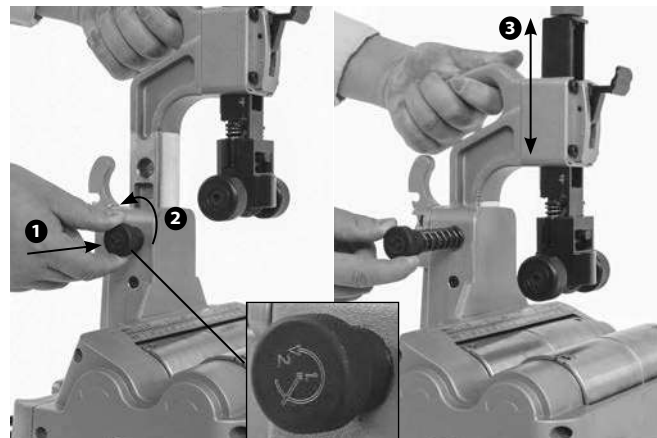


Рис. 6 - Выключатель быстрой регулировки размера

1. Когда в труборезе нет трубы, возьмитесь за рукоять и отпустите штифт, слегка нажав ручку ① и слегка повернув ее против часовой стрелки ②. Ручка подпружинена и будет втягиваться, управляйте движением ручки. См. Рис. 6.
2. Используя рукоять, переместите голову в необходимое положение ③.
3. Вставьте ручку быстрого переключения, чтобы удерживать головку на месте.

Регулировка быстрой подачи режущего ролика

Данная регулировка быстрой подачи режущего ролика используется для выдвигения и втягивания режущего ролика во время резки.

1. Чтобы выдвинуть режущий ролик, нажмите вниз рукоятку (рис. 7А) до тех пор, пока он не войдет в трубу.
2. Чтобы втянуть режущий ролик, ослабьте рукоятку/подающий винт на 1-2 оборота (рис. 7В) и нажмите фиксатор (рис. 7С), чтобы он мог втянуться (он подпружинен - контролируйте перемещение рукоятки).

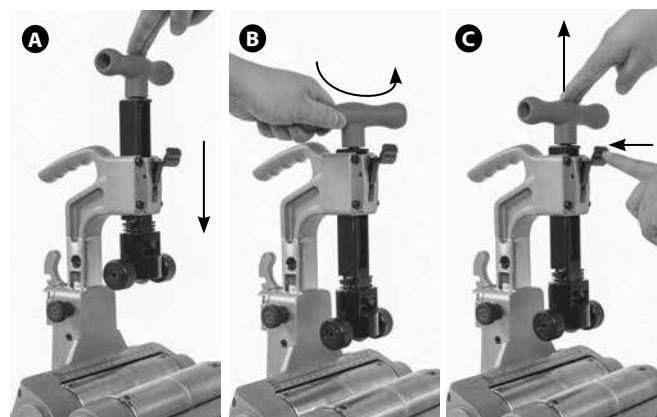


Рис. 7 - Быстрая подача: А-вперед, В-ослабление, С-втягивание

Выбор/изменение рабочей скорости

Электрический труборез имеет две рабочие скорости - LOW (НИЗКУЮ) и HIGH (ВЫСОКУЮ), см. рис. 8.

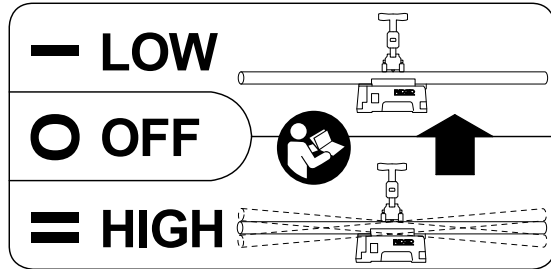


Рис. 8 - Наклейка со скоростями

НИЗКАЯ скорость (настройка выключателя I-Low). Она снижает риск вибрации и колебаний трубы во время использования.

Рекомендуется для труб диаметром 2" (50 мм) и меньше, и длиннее 6.5' (2 м).

ВЫСОКАЯ скорость (настройка выключателя II-High). Она сократит время резки.

Для труб диаметром более 2" (50 мм) любой длины

Для любых труб короче 6.5' (2 м)

Вибрация и колебания трубы зависят от многих факторов, таких как длина трубы, размер, вес, прямолинейность, выравнивание подставки, скорость роликов и т. д. Если в любой время вы почувствуете, что трубка чрезмерно вибрирует или колеблется, отпустите ножной выключатель. Если вы находитесь в режиме высокой скорости II-High, переключитесь на низкую скорость I-Low и попробуйте снова. Если вы находитесь в режиме низкой скорости I-Low, выберите другой метод резки для этой детали, например ручной труборез.

Чтобы изменить скорость, отпустите ножной выключатель и дождитесь полной остановки трубореза. Переместите переключатель в нужное положение. Не изменяйте рабочую скорость во время работы машины.

Резка трубы

1. Убедитесь, что труба не изогнута и на ней не закреплены фитинги. Резка изогнутых труб или труб с фитингами может привести к чрезмерной вибрации и потере управления. При необходимости используйте ручной труборез. Отметьте трубку в соответствии с необходимой длиной. Для удобства на машине предусмотрена измерительная шкала.
2. При необходимости отрегулируйте диапазон размеров электрического трубореза с помощью выключателя быстрой регулировки размера.

3. Положите трубу на ролики таким образом, чтобы отметка реза находилась под режущим роликом на нулевой отметке шкалы. Если труба выходит за пределы машины, разместите под трубой опоры. Опоры следует отрегулировать таким образом, чтобы труба располагалась на роликах прямо. Это поможет обеспечить правильное отслеживание резки. См. рис. 3.
4. Займите удобное рабочее положение, которое обеспечит управление машиной и трубой (см. рис. 10):
 - Убедитесь в наличии удобного доступа к инструментам и переключателю.
 - Убедитесь, что можете управлять ножным выключателем. Пока не наступайте на ножной выключатель. В случае опасности вы должны иметь возможность отпустить ножной выключатель.
 - Убедитесь, что вы находитесь в устойчивом положении и вам не требуется далеко тянуться.
5. Выдвигайте систему быстрой подачи вперед до тех пор, пока опорные ролики не коснутся трубы (рис. 9). Совместите режущий диск с отметкой на трубе. Затяните подающий винт, чтобы режущий ролик коснулся трубы. После того, как режущий ролик коснется трубы, переместите подающий винт еще на 1–1½ оборота, чтобы захватить трубу. Не перемещайте подающий винт слишком сильно, это может привести к овалованию трубы и повышенному образованию заусенцев.

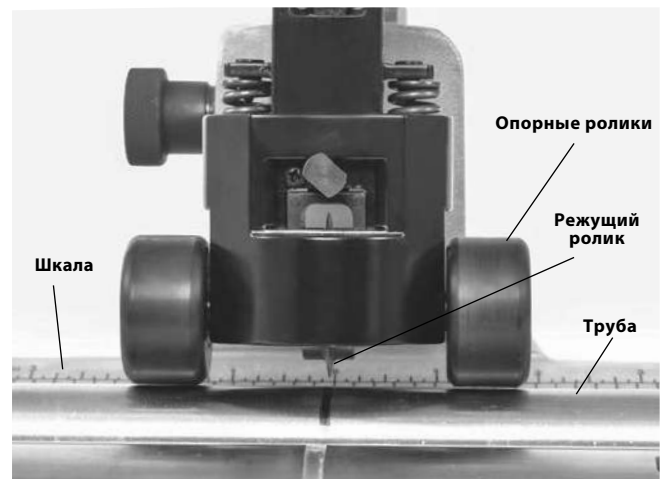


Рис. 9 - Опорные ролики, касающиеся трубы

6. Переместите переключатель I-Low/O-OFF/II-High в нужное положение для разрезаемой трубы
7. Нажмите на ножной выключатель. Ролики и труба начнут вращаться. Держите руки подальше от вращающихся частей.



Рис. 10 - Резка трубы

8. Продвигайте вперед подающий винт, медленно и непрерывно затягивая подающий винт, пока трубка не будет разрезана. Агрессивная резка может привести к повреждению режущего ролика и чрезмерному образованию заусенцев. Поддерживайте контакт опорных роликов с трубой, чтобы помочь в удержании трубы на месте.

Если при резке труба закручивается по спирали, остановите резку и проверьте настройку машины, особенно выравнивание подставок для трубы. Трубы из различных материалов могут потребовать небольшого дополнительного затягивания подающего винта для улучшения отслеживания.

9. Уберите ногу с ножного выключателя. Затем переведите переключатель I-Low/O-OFF/I-High в положение O-OFF.

10. Когда труба перестанет вращаться, ослабьте подающий винт на 1-2 оборота и нажмите фиксатор, чтобы полностью втянуть режущий ролик. Снимите трубу.

Зенковка трубы



Рис. 11 - Установка зенковки

1. Установите переключатель I-Low/O-OFF/I-High в положение O-OFF.
2. Извлеките зенковку из места хранения и установите ее в рабочее положение, как показано на рис. 11. Убедитесь, что зенковка надежно закреплена.
3. Переведите переключатель I-Low/O-OFF/I-High в положение I-Low.
4. Нажмите на ножной выключатель. Держите руки подальше от концов труб и вращающихся частей.
5. Надежно возьмитесь за трубу. Обеспечьте надлежащую опору для трубы, чтобы сохранять контроль за ней.
6. Поместите трубу на конус зенковки и осторожно надавите (рис. 12), чтобы удалить заусенцы с внутренней стороны конца трубы. Не вставляйте трубу в зенковку с силой, это может привести к тому, что зенковка захватит трубку и раскрутит ее в ваших руках.



Рис. 12 - Зенковка трубы

7. Уберите ногу с ножного выключателя.
8. Установите переключатель I-Low/O-OFF/I-High в положение O-OFF.
9. Извлеките зенковку из рабочего положения и верните ее в положение хранения.

Транспортировка

1. Уберите с машины или закрепите все принадлежности и материалы во избежание падения или опрокидывания при перемещении машины.
2. Установите режущий ролик в нижнее положение.
3. Оберните шнур питания и шланг ножного выключателя вокруг крючка для шнура и закрепите, как показано на рис. 13.

4. Поднимите за рукоять. Будьте осторожны при подъеме и перемещении. Помните, что станок тяжелый.



Рис. 13 - Шнур/шланг обернут

Хранение

⚠ ВНИМАНИЕ Электрический труборез следует хранить в сухом состоянии в помещении, при хранении вне помещения инструмент необходимо тщательно накрыть. Инструмент надлежит хранить в запираемом помещении, недоступном для детей и людей, не знакомых с работой электрического трубореза. Этот инструмент может причинить серьезные травмы в руках неквалифицированных пользователей.

Инструкция по техническому обслуживанию

⚠ ВНИМАНИЕ

Перед выполнением любых регулировок или операций технического обслуживания убедитесь, что переключатель установлен в положение O-OFF, а машина отсоединена от электропитания.

Выполняйте техническое обслуживание трубореза в соответствии с указанными процедурами, чтобы уменьшить риск поражения электрическим током, попадания в движущиеся детали механизмов и других причин.

Чистка

Осторожно очищайте машину после каждого использования чистой сухой тканью. Следите за тем, чтобы ролики были чистыми и свободными от грязи и мусора.

Для максимальной эффективности поддерживайте чистоту зенковку и отсутствие на ней стружки.

Очищайте вентиляционные отверстия двигателя от пыли и мусора.

Смазка

Ежемесячно (или чаще, при необходимости) смазывайте все открытые движущиеся части электрического трубореза и подставки PC116TS (такие как подающий винт, система быстрой подачи, ролики и точки поворота) легким смазочным маслом. Вытирайте излишки масла с открытых поверхностей.

Замена режущего ролика

См. *Технические характеристики* для выбора подходящего режущего ролика. Меняйте режущий ролик при резке различных материалов; замените режущий ролик, если режущая кромка имеет сколы или затупилась. На устройстве можно хранить дополнительный режущий ролик. См. *Рис. 13*.

1. Снимите соединительный штифт. Держатель режущего ролика выпадет (*рис. 14*).



Рис. 14 - Снятие держателя режущего ролика

2. Снимите штифт режущего ролика и режущий ролик/подшипник (*рис. 15*).
3. Проверьте подшипник. Подшипник должен двигаться свободно. При необходимости замените.
4. Установка режущего ролика выполняется в обратном порядке.



Рис. 15 - Замена режущего ролика

Защита электродвигателя от перегрузки по току

Труборез оснащен защитой от перегрузки по току, которая отключает машину для защиты электродвигателя, если он потребляет чрезмерный ток.

Если машина неожиданно выключается, отпустите ножной выключатель. Установите переключатель в положение O-OFF и отключите машину от сети. Уберите трубу из машины. Следуйте указаниям в разделах "Предэксплуатационный осмотр" и "Подготовка машины и рабочей зоны", чтобы убедиться в том, что машина работает правильно.

Замена щеток электродвигателя

Проверяйте щетки электродвигателя каждые шесть месяцев; щетки следует заменить, если их длина составляет менее 5 мм (0.2").

1. Убедитесь, что переключатель находится в положении O-OFF и машина отключена от сети.
2. Открутите пять винтов, удерживающих нижнюю крышку (рис. 16), и снимите крышку (некоторые винты остаются в крышке).
3. С помощью отвертки открутите и снимите колпачки щеток (рис. 17). Осторожно снимите угольные щетки и проверьте их длину (рис. 18). Если длина щеток составляет менее 5 мм (0.2"), замените щетки.
4. Вставьте щетку в щеткодержатель, правильно совместив выступы щетки с выступами в щеткодержателе.
5. Надежно затяните колпачки щеток. Установите на свое место нижнюю крышку.
6. После завершения сборки машины дайте ей поработать на скорости II-High в течение пяти минут без трубы в машине, чтобы приработались щетки.

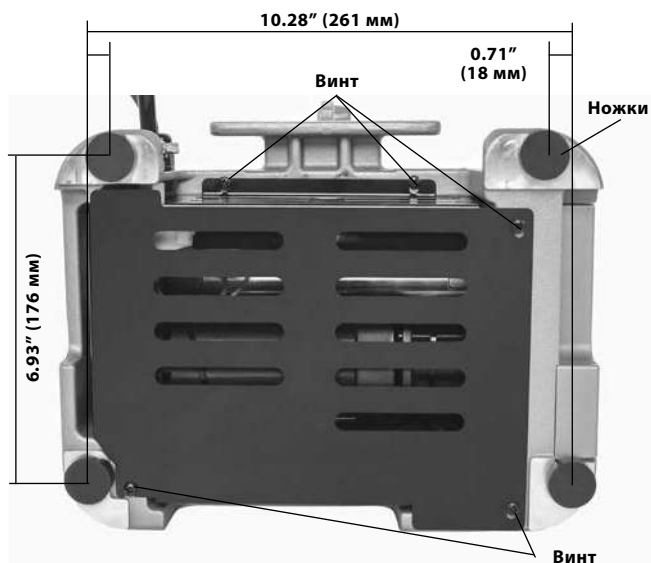


Рис. 16 - Винты нижней крышки

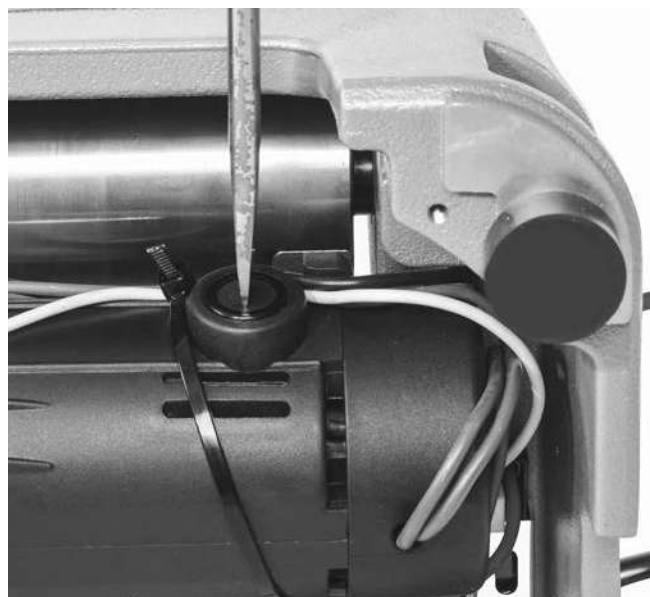


Рис. 17 - Снятие колпачка щетки

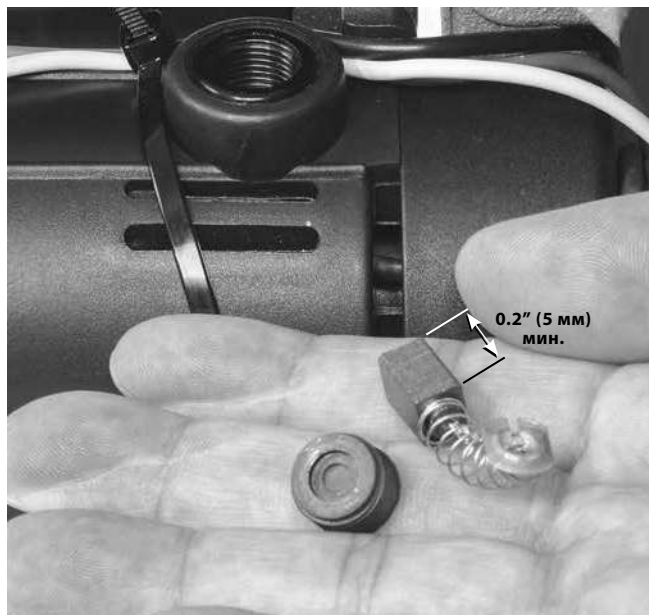


Рис. 18 - Проверка длины щеток

Отсканируйте приведенный ниже QR-код, чтобы получить доступ к документации и видео для PC116/PTC-400.



Поиск и устранение неисправностей

ПРОБЛЕМА	ВОЗМОЖНЫЕ ПРИЧИНЫ	РЕШЕНИЕ
Чрезмерная вибрация во время работы.	Неправильная рабочая скорость.	См. <i>Выбор рабочей скорости.</i>
	Резка погнутой трубы.	Не режьте заметно погнутую трубу. Используйте ручной труборез.
	Длинная труба не имеет надлежащей опоры.	Обеспечьте опору длинной трубы с помощью подставок для труб.
	Машина установлена неправильно.	Правильно установите машину на ровной поверхности, зафиксируйте крепежными болтами.
Машина не режет трубы должным образом.	Изношен режущий ролик.	Замените изношенный режущий ролик.
	Использование с трубами несоответствующего размера или материала.	Используйте с трубами соответствующего типа (см. <i>Технические характеристики</i>).
Машина останавливается во время резки.	Агрессивная подача режущего ролика во время резки.	Осторожно подавайте режущий ролик.
Машина не работает.	Щетки электродвигателя изношены.	Установите новые щетки электродвигателя.
	Сработала защита от перегрузке по току.	<i>Следуйте инструкциям по перегрузке двигателя по току в разделе по техническому обслуживанию.</i>
Чрезмерное образование заусенцев на трубе или деформация концов.	Изношенный или поврежденный режущий ролик.	Замените режущий ролик.
	Агрессивная подача режущего ролика во время резки.	Осторожно подавайте режущий ролик.
Машина останавливается, когда нажат ножной выключатель. Запустите снова после повторного нажатия ножного выключателя.	Отверстие в ножном выключателе/шланге.	Замените ножной выключатель.
	Утечка воздушного выключателя.	Если в ножном выключателе/шланге проблем не обнаружено, замените воздушный выключатель.

Обслуживание и ремонт

⚠ ВНИМАНИЕ

Ненадлежащее обслуживание или ремонт могут сделать эксплуатацию прибора небезопасной.

В разделе *Инструкция по техническому обслуживанию* рассмотрены большинство операций обслуживания этой машины. Любые проблемы, не рассмотренные в этом разделе, следует устранять только в независимом сервис-центре RIDGID. Используйте только запасные части RIDGID.

Для получения информации о ближайшем независимом сервисном центре RIDGID или по любому вопросу, касающемуся обслуживания или ремонта, *обратитесь к разделу "Контактная информация"* в данном руководстве.

Дополнительные принадлежности

⚠ ВНИМАНИЕ

Для снижения риска тяжелой травмы используйте только указанные ниже принадлежности, специально разработанные и рекомендованные к применению с электрическим труборезом RIDGID PC116/PTC-400.

№ по каталогу	Описание
64903	PC116TS Подставка для труб для использования с PC116/PTC-400
66253	PC116 Угольная щетка электродвигателя 220-240 В
66248	PC116 Угольная щетка электродвигателя 100-120 В
56662	VJ-99 Высокая подставка для труб с V-образной головой 28" - 52"
64908	137S Зенковка для PC116/PTC-400
66938	E850 Режущий ролик (для металлической трубы)
66943	E855 Режущий ролик (для пластиковой трубы)
64898	Подшипник режущего ролика

Чтобы получить полный список оборудования RIDGID, подходящего для данных инструментов, посмотрите каталог компании Ridge Tool на сайте RIDGID.com или обратитесь к разделу *Контактная информация*.

Утилизация

Детали данных инструментов содержат ценные материалы и могут быть подвергнуты повторной переработке. В своем регионе вы можете найти компании, специализирующиеся на утилизации. Утилизируйте компоненты в соответствии со всеми применимыми нормативами. Узнайте дополнительную информацию в местной организации по утилизации отходов.



Для стран ЕС: запрещается утилизировать электрооборудование вместе с бытовыми отходами!

В соответствии с Европейской директивой 2012/19/EU по утилизации электрического

и электронного оборудования, электрическое оборудование, не пригодное для дальнейшего использования, следует собирать отдельно и утилизировать безопасным для окружающей среды способом.

Boru (Tüp) Makasları

PC116/PTC-400

Elektrikli Boru (Tüp) Makasları



⚠ UYARI!

Bu aleti kullanmadan önce kullanım kılavuzunu dikkatle okuyun. Bu kılavuzun içeriğinin anlaşılması ve ona uyulmaması elektrik çarpması, yangın ve/veya ağır yaralanmalara yol açabilir.

PC116/PTC-400 Elektrikli Boru (Tüp) Makasları

Aşağıdaki Seri Numarası'nı kaydedin ve isim levhasındaki ürün seri numarasını muhafaza edin.

Seri No.

İçindekiler

Makine Seri Numarası için Kayıt Formu	345
Güvenlik Sembolleri	347
Genel Elektrikli Alet Güvenlik Uyarıları	347
Çalışma Alanı Güvenliği	347
Elektrik Güvenliği	347
Kişisel Güvenlik	348
Elektrikli Alet Kullanımı ve Bakımı	348
Servis	348
Özel Güvenlik Bilgileri	348
RIDGID İrtibat Bilgileri	349
Açıklama	349
Teknik Özellikler	350
Standart Ekipman	350
Montaj	350
Tezgah Montajı	350
Kullanım-Öncesi Kontrol	351
Makine ve Çalışma Alanının Kurulması	351
PC116TS Stant/Ayar	352
Çalıştırma Talimatları	353
Makasın Farklı Boru Boyutları İçin Ayarlanması	353
Çalışma Hızını Seçme/Değiştirme	354
Borunun Kesilmesi	354
Borunun Raybalanması	355
Taşıma	355
Saklama	356
Bakım Talimatları	356
Temizleme	356
Yağlama	356
Kesme Tekerleğinin Değiştirilmesi	356
Motor Aşırı Akım Koruması	357
Motor Fırçalarının Değiştirilmesi	357
Sorun Giderme	358
Bakım ve Onarım	358
İsteğe Bağlı Ekipman	358
Elden Çıkarma	359
AT Uygunluk Beyanı	Arka Kapak İçinde
Ömür Boyu Garanti	Arka Kapak

* Orijinal kılavuzun çevirisidir

Güvenlik Sembolleri

Bu kullanıcı kılavuzunda ve ürün üzerinde güvenlik sembolleri ve uyarı kelimeleri önemli güvenlik bilgilerini bildirmek için kullanılmıştır. Bu kısım, bu uyarı kelimelerinin ve sembollerin daha iyi anlaşılması için sunulmuştur.



Bu güvenlik uyarı sembolüdür. Sizi potansiyel kişisel yaralanma tehlikesine karşı uyarmak için kullanılır. Muhtemel yaralanma veya ölümden sakınmak için bu sembolü izleyen tüm güvenlik mesajlarına uyun.

TEHLİKE TEHLİKE sakınılmadığı takdirde ölüm veya ciddi yaralanmayla sonuçlanacak tehlikeli bir durumu gösterir.

UYARI UYARI sakınılmadığı takdirde ölüm veya ciddi yaralanmayla sonuçlanabilecek tehlikeli bir durumu gösterir.

DİKKAT DİKKAT sakınılmadığı takdirde küçük veya orta derece yaralanmaya yol açabilecek tehlikeli bir durumu gösterir.

BİLDİRİM BİLDİRİM eşyanın korunmasıyla ilgili bilgileri gösterir.



Bu sembol, ekipmanı kullanmadan önce kullanım kılavuzunun dikkatlice okunması gerektiği anlamına gelir. Kullanım kılavuzu ekipmanın emniyetli ve düzgün kullanımına dair önemli bilgiler içerir.



Bu sembol göz yaralanması riskini azaltmak için ekipmanı taşırken veya kullanırken daima yan korumaları olan güvenlik gözlükleri veya koruyucu gözlüklerin takılması gerektiğini gösterir.



Bu sembol elektrik çarpması riskini gösterir.



Bu sembol el, parmak veya bedenin diğer kısımlarının rümanlara veya diğer hareketli parçalara kaptırılması, sıkışması riskini gösterir.



Bu sembol ellerinizin, parmaklarınızın ve vücudunuzun diğer organlarının döner veya hareket eden parçalar tarafından ezilme tehlikesini göstermektedir.



Bu sembol makinenin devrilerek çarpma veya ezilmeden kaynaklanan yaralanmalara yol açma tehlikesi olduğunu belirtir.



Bu sembol dolanma riskini azaltmak için bu makineyi çalıştırırken eldiven giyilmemesi gerektiği anlamına gelir.

Genel Elektrikli Alet Güvenlik Uyarıları*

UYARI

Bu elektrikli aletle birlikte gelen tüm güvenlik uyarıları, talimatları, çizimleri ve teknik bilgileri okuyun. Aşağıda listelenen talimatların tümüne uyulmaması elektrik çarpması, yangın ve/veya ciddi yaralanmalara yol açabilir.

TÜM UYARI VE TALİMATLARI GELECEKTE BAŞVURMAK ÜZERE SAKLAYIN!

Uyarılardaki "elektrikli alet" terimi elektrik hattından (kablolu) ya da batarya ile (kablesiz) çalışan elektrikli makine-leri kapsar.

Çalışma Alanı Güvenliği

- Çalışma alanının temiz ve iyi aydınlatılmış olmasını sağlayın. Dağınık veya karanlık alanlar kazalara yol açabilir.
- Elektrikli aletleri alev alabilen sıvıların, gazların ya da tozların olduğu patlayıcı atmosferlerde kullanmayın. Elektrikli aletler toz ya da gazları tutuşturabilecek kıvılcımlar üretebilirler.
- Elektrikli aletleri kullanırken çocuklar ve izleyenleri uzakta tutun. Dikkatinizi dağıtan şeyler kontrolü kaybetmenize sebep olabilir.

Elektrik Güvenliği

- Elektrikli aletlerin fişleri prizlere uygun olmalıdır. Fişi hiç bir şekilde değiştirmeyin. Topraklanmış elektrikli aletler ile adaptör fişi kullanmayın. Modifiye edilmemiş fişler ve eşleşen prizler elektrik çarpması riskini azaltır.
- Borular, radyatörler, ocaklar ve buz dolapları gibi topraklanmış yüzeylere temas etmekten kaçınin. Vücudunuzun topraklanması durumunda elektrik çarpması riski artar.
- Elektrikli aletleri yağmura ya da ıslak koşullara maruz bırakmayın. Elektrikli alete giren su, elektrik çarpması ihtimalini artırır.
- Kabloyu başka amaçlarla kullanmayın. Kabloyu elektrikli aleti taşımak, çekmek ya da çıkarmak için asla kullanmayın. Kabloyu ısıdan, yağdan, keskin kenarlardan ve hareketli parçalardan uzak tutun. Hasar görmüş veya dolaşık kablolar elektrik çarpması riskini artırır.
- Elektrikli bir makineyi açık havada kullanmak için açık havaya uygun uzatma kabloları kullanın. Açık havada kullanıma uygun kabloların kullanılması elektrik çarpması ihtimalini azaltır.
- Elektrikli makinenin nemli bir ortamda kullanılması kaçınılmaz ise bir topraklama hatası devre kesici (GFCI) korumalı güç kaynağı kullanın. GFCI kullanımı elektrik çarpması ihtimalini azaltır.

* Bu kılavuzun Genel Elektrikli Alet Güvenlik Uyarıları bölümünde kullanılan metin, kanunlar gereği geçerli UL/CSA/EN 62841-1 standardından harfi harfine alınmıştır. Bu bölümde, pek çok farklı tipte elektrikli alet için genel güvenlik uygulamaları bulunmaktadır. Tüm önlemler her alet için geçerli olmayabilir, bazı önlemler de bu alet için geçerli değildir.

Kişisel Güvenlik

- **Dikkatli olun, ne yaptığınıza dikkat edin ve elektrikli alet kullanırken sağduyunuzu kullanın. Yorgunken ya da uyuşturucu, alkol veya ilaçların etkisindeyken elektrikli aletler kullanmayın.** Elektrikli alet kullanımı sırasında bir anlık dikkatsizlik ağır yaralanmalara yol açabilir.
- **Kişisel koruyucu ekipmanlar kullanın. Daima göz koruması kullanın.** Toz maskeleri, kaymaz güvenlik ayakkabıları, sert şapkalar ve kulak korumaları gibi koruyucu ekipmanların kullanımı yaralanmaların azalmasını sağlar.
- **Aletin siz farkında olmadan çalışmaya başlamasını engelleyin. Güç kaynağına ve/veya batarya takımına bağlamadan, makineyi toplamadan veya taşımadan önce düğmenin KAPALI konumda olduğundan emin olun.** Elektrikli el aletlerini parmağınız düğmenin üzerindeyken taşımak veya düğme AÇIK konumdayken elektrikli el aletlerine enerji vermek kazalara davet çıkarr.
- **Elektrikli makineyi AÇMADAN önce tüm ayar anahtarlarını veya anahtarları çıkartın.** Elektrikli aletin dönen parçasına takılı olarak bırakılmış bir anahtar yaralanmalara yol açabilir.
- **Aşırı zorlamadan kullanın. Her seferinde uygun düzeyde ve dengede kullanın.** Bu, beklenmedik durumlarda elektrikli aleti daha iyi kontrol etmenizi sağlar.
- **Uygun giyinin. Bol giysiler giymeyin ve takı takmayın. Saçınızı ve giysilerinizi hareket eden parçalardan uzak tutun.** Bol giysiler, takılar ya da uzun saçlar hareket eden parçalar tarafından kapılabilir.
- **Aletler toz aspiratörü ve toplama tertibatı ile birlikte kullanılacaklarsa tüm bunların bağlı ve uygun şekilde çalıştığından emin olun.** Toz toplayıcıların kullanılması, tozlardan kaynaklı kazaları azaltabilir.
- **Makinelerin sık kullanımı dolayısıyla edinilen aşınalığın laubali davranışa ve aletle ilgili güvenlik ilkelerinin ihmaline yol açmasına izin vermeyin.** Dikkatsiz bir eylem bir saniyeden daha kısa sürede ciddi yaralanmaya neden olabilir.

Elektrikli Alet Kullanımı ve Bakımı

- **Aşırı zorlamadan kullanın. Uygulamanız için doğru elektrikli alet kullanın.** Doğru elektrikli alet işinizi uygun tasarlandığı oranda iyi ve güvenli şekilde yapar.
- **Düğme elektrikli makineyi AÇIP KAPATMIYORSA ekipmanı kullanmayın.** Düğme ile kontrol edilemeyen elektrikli aletler tehlikelidir ve tamir edilmelidir.
- **Herhangi bir ayarlama yapmadan, aksesuarları değiştirmeden veya elektrikli aletleri durdurmadan önce fişini güç kaynağından çekin ve/veya eğer çıkartılabiliyorsa**

pil paketini çıkartın. Bu tür güvenlik önlemleri elektrikli makinenin kazayla çalıştırılması ihtimalini azaltır.

- **Kullanmadığınız makinelerinizi çocukların uzanmayacağı yerlerde saklayın ve elektrikli aletleri kullanma deneyimi olmayan ya da bu talimatlardan habersiz kişilerin kullanmalarına izin vermeyin.** Elektrikli aletler eğitimsiz kullanıcıların ellerinde tehlikelidir.
- **Elektrikli aletlerin bakımlarını yapın. Elektrikli aletin çalışmasını etkileyecek yanlış ayarlama ya da hareketli parçaların yanlış bağlanması, parçaların kırılması ve diğer durumlara karşı kontrol edin. Eğer hasarlıysa, elektrikli aleti kullanmadan önce tamir ettirin.** Birçok kaza bakımsız elektrikli aletlerden kaynaklanır.
- **Kesme makinelerini keskin ve temiz tutun.** Uygun şekilde bakımı yapılmış keskin uçlu aletlerin takılıp kalma olasılığı düşüktür ve kontrolleri daha kolaydır.
- **Elektrikli aleti, aksesuarlarını, alet uçlarını vs. çalışma koşullarını ve yapılacak işi göz önünde bulundurarak bu talimatlara uygun olarak kullanın.** Elektrikli aletin tasarlandığı uygulama dışında kullanılması tehlikeli durumlara sebep olabilir.
- **Tutma saplarını ve kavrama yerlerini kuru, temiz ve yağ ile gres bulunmayacak şekilde muhafaza edin.** Kaygan tutma sapları ve kavrama yerleri beklenmedik durumlarda aletin güvenli şekilde tutulması ve kontrol edilmesine izin vermez.

Servis

- **Elektrikli aletinizin onarımını yetkili tamircilere sadece orijinal yedek parçaları kullanarak yaptırın.** Bu, elektrikli aletin güvenliğinin devamlılığını sağlayacaktır.

Özel Güvenlik Bilgileri

⚠ UYARI

Bu bölüm makineye özel önemli güvenlik bilgileri içerir.

Elektrik çarpması veya diğer ciddi yaralanma risklerini azaltmak için PC116/PTC-400 Elektrikli Boru (Tüp) Makaslarını kullanmadan önce bu önlemleri dikkatlice okuyun.

TÜM UYARI VE TALİMATLARI GELECEKTE BAŞVURMAK ÜZERE SAKLAYIN!

Operatörün kullanması için bu kılavuzu makinenin yanında bulundurun.

- **Boru (Tüp) Makaslarını çalıştırırken eldiven takmayın veya bol kıyafetler giymeyin. Kol düğmelerinizi ve ceketinizi ilikleyin.** Makineyi uzanarak kullanmayın. Kıyafetler makineye takılıp dolanmaya neden olabilir.

- Ellerinizi rulmanlar, rayba, kesme tekerleği ve tüp gibi dönen parçalardan uzak tutun. Aleti veya tüpü tutmadan önce parçaların tamamen durmasını bekleyin. Bu uygulama döner parçalara dolanma riskini azaltır.
- Makineyi stabil tezgaha veya standa sabitleyin. Tüpleri doğru bir şekilde destekleyin. Bu, devrilen ve düşen tüpten ve ekipmandan dolayı oluşan çarpma ve kırılma yaralanmaları riskini azaltır.
- Görünür bükülebilir boruları veya fitting olan boruları kesmeyin. Makine ve/veya borularda aşırı titreşim ve kontrol kaybı riskini azaltır.
- Her zaman uygun göz koruması ve uygun kişisel koruyucu ekipman kullanın. Kesme aletleri kırılabilir veya parçalanabilir. Bu yaralanma riskini azaltacaktır.
- Çalışma sürecini ve ayak anahtarını sadece bir kişi kontrol etmelidir. Makine çalışırken çalışma alanında yalnızca operatör bulunmalıdır. Bu, yaralanma riskini azaltmaya yardımcı olur.
- Ciddi yaralanma riskini azaltmak için bu aleti kullanmadan önce bu talimatları ve kullanılan tüm ekipman ve malzemelerin talimatlarını ve uyarılarını okuyun ve anlayın.

RIDGID İrtibat Bilgileri

Bu RIDGID® ürünü ile ilgili sorularınız için:

- Bulduğunuz bölgedeki RIDGID® distribütörü ile irtibata geçin.
- Yerel RIDGID irtibat noktasının iletişim bilgilerine erişmek için RIDGID.com adresini ziyaret edin.
- Ridge Tool Teknik Servis Departmanı ile rtctechservices@emerson.com adresinden veya ABD ve Kanada'da (800) 519-3456 telefon numarasını aramak suretiyle temas kurun.

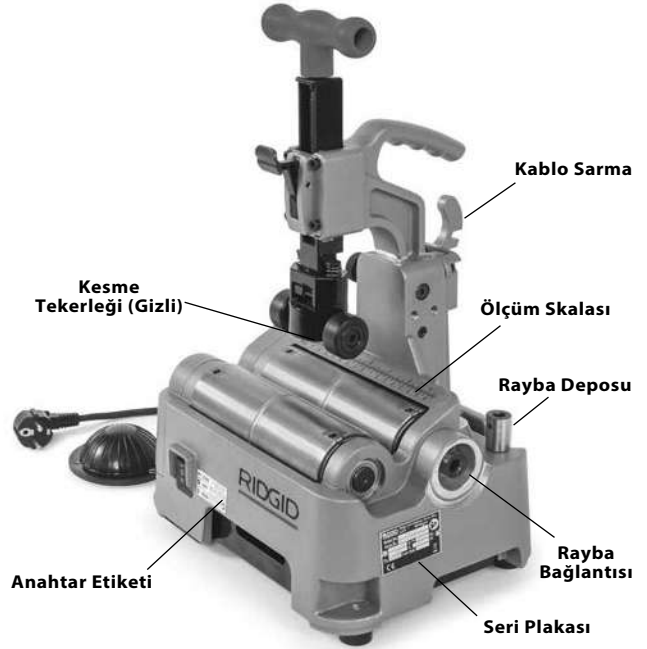
Açıklama

RIDGID® PC116/PTC-400 Elektrikli Boru (Tüp) Makasları metal ve plastik boruları/kanalları ½" ila 4" nominal boyuta (12 - 100 mm) kesmek için tasarlanmıştır.

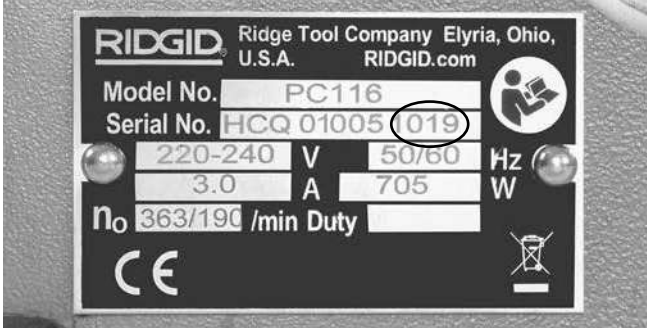
İki hızı olan bir anahtar rulman hızını kontrol eder ve pnömatik bir ayak anahtarı motorun AÇMA/KAPAMA kontrolünü sağlar. Tüp ölçümü için bir skala bulunur. Elektrikli Boru (Tüp) Makasları taşıma kolaylığı için hafif ve kompakttır.

Maksimum 2" (50 mm) boyuta sahip tüplerin içindeki çapakları gidermek için opsiyonel bir rayba sunulur.

Boru (tüp) makasları kanal ile kullanılmak için tasarlanmamıştır.



Şekil 1 – RIDGID® PC116/PTC-400 Elektrikli Boru (Tüp) Makasları



Şekil 2 – Makine Seri Numarası

Makine seri numarası makasın yanına yerleştirilmiştir. Son 4 hane üretim ayını ve yılını gösterir. (10 = ay, 19 = yıl).

Teknik Özellikler

Nominal Boru Boyutu

Kesme Kapasitesi..... ½" - 4" (12 mm - 100 mm)

Gerçek Kesme Kapasitesi..... ½" - 4.5" (12 mm - 116 mm)

Boru/Kanal Materyali*	Maksimum Et Kalınlığı	Makas Tekerleği	
		E-850	E-855
		Kat. #66938	Kat. #66943
Karbon Çelik	0.1" (2,5 mm)	X	
Paslanmaz Çelik	0.1" (2,5 mm)	X	
Alüminyum	0.1" (2,5 mm)	X	
Bakır	0.1" (2,5 mm)		X
Plastik	0.23" (6 mm)		X

* Yalnızca genel kılavuz. Materyal birleşimi, sertlik ve diğer faktörler kesme yeteneğini, tekerlek ömrünü, çapak oluşumunu vs. etkiler

Nominal Raybalama

Kapasitesi..... ½" - 2" (12 mm - 50 mm)
(opsiyonel aksesuar)

Maks. Boru Uzunluğu20' (6m)

Motor

Tip.....	Üniversal	
Voltaj.....	100-120V	220-240V
Akım.....	5,8 A	3,0A
Frekans.....	50/60 Hz	50/60 Hz
Güç.....	705W	705W

Üniteye özgü bilgiler için ürün seri numarası plakasına bakın.

Rulman Dönme Hızı..... 220-240V için 190/363 DEV/DAK,
100-120V için 225/385 DEV/DAK

KUMANDALAR..... I-DÜŞÜK/O-KAPALI/II-YÜKSEK
Anahtarı ve AÇMA/KAPAMA Ayak Anahtarı

Ağırlık..... 32 lbs. (14,5 kg)

Genel Ölçüler

U x G x Y..... 11.6" x 9.4" x 15.9"
(295 mm x 239 mm x 403 mm)

Çalışma Sıcaklığı..... -4°F - 122°F (-20°C - 50°C)

Ses Basıncı (L_{PA})*..... 82,3 dB(A), K=3

Ses Gücü (L_{WA})* 93,3 dB(A), K=3

* Ses ölçümleri Standart EN 62481-1 uyarınca standartlaştırılmış bir test ile yapılır.
- Ses emisyonları bulunduğunuz yere ve bu aletlerin özel kullanımına bağlı olarak değişebilir.
- Ses için günlük maruz kalma seviyeleri her uygulama için değerlendirilmeli ve gerektiğinde uygun güvenlik önlemleri alınmalıdır. Maruz kalma seviyelerinin değerlendirilmesinde, bir alet KAPALI olduğu ve kullanılmadığı zamanlar da dikkate alınmalıdır. Bu, toplam çalışma süresince maruz kalma düzeyini önemli ölçüde azaltabilir.

Standart Ekipman

Özel makine katalog numaralarıyla sunulan ekipmanla ilgili ayrıntılar için RIDGID kataloğuna bakın.

BİLDİRİM Uygun malzeme ve tesisat, birleştirme ve kalıp yöntemlerinin seçimi sistem tasarımcısı ve/veya tesisatçının sorumluluğundadır. Uygun olmayan malzeme veya yöntemlerin kullanılması sistemin arızalanmasına neden olabilir.

Paslanmaz çelik ve diğer paslanmaya karşı dirençli malzemeler montaj, birleştirme ve kalıplama sırasında kirlenmeye maruz kalabilir. Bu kirlenme, paslanmaya ve makinenin ömrünün kısılmasına yol açabilir. Malzemelerin ve kimyasal ve sıcaklık dahil belirli servis koşullarına özgü yöntemlerin dikkatli bir şekilde değerlendirme işlemi herhangi bir montaj işine başlamadan önce tamamlanmalıdır.

Paslanmaz çelikte demir kontaminasyonu riskini azaltmak için rulmanların temiz ve birikintilerden arındığından emin olun. Paslanmaz çelik fırça ile derinlemesine temizleyin. Paslanmaz çelik materyali ile kullanmadan önce kesme tekerleğini ve raybayı değiştirin. En iyi çözüm paslanmaz çelik için bir makas kullanmaktır.

Montaj

⚠ UYARI

Kullanım esnasında ciddi yaralanma riskini azaltmak amacıyla doğru montaj için aşağıdaki prosedürleri izleyin. Montajdan önce, anahtar OFF (KAPALI) konumda olmalı ve makinenin fişi çekilmelidir.

Tezgah Montajı

Makine düz ve sağlam bir tezgah üzerine monte edilebilir. Üniteyi bir tezgah üzerine monte etmek için makine temelindeki (Bkz. Şekil 16) dört köşede bulunan kauçuk ayakları sökün ve makineyi tezgaha sabitlemek için M8 civatalar kullanın. Emniyetli bir şekilde sıkın.

Kullanım-Öncesi Kontrol

⚠ UYARI



Elektrik çarpması, karmaşıklık, üzerine düşme sonucu oluşan yaralanmaları ve diğer vakalar nedeniyle ciddi yaralanma riskini azaltmak ve makinenin hasar görmesini önlemek için her kullanım öncesinde Elektrikli Boru (Tüp) Makaslarını kontrol edin ve her türlü sorunu giderin.

1. Elektrikli Boru (Tüp) Makaslarının fişinin çekildiğinden emin olun.
2. Kollar ve kontroller dahil makine ve ekipmanı temizleyin. Bu, incelemeyi kolaylaştırır ve makinenin veya kontrolün elinizden kaymasını önlemeye yardımcı olur. Makineyi bakım talimatları uyarınca temizleyin ve bakımını yapın.
3. Boru (Tüp) Makaslarını şu açılardan kontrol edin:
 - Kabloyu ve fişi hasar ve değişiklik açısından kontrol edin.
 - Doğru montaj, bakım ve eksiksizlik kontrolü yapın.
 - Herhangi bir kırık, yıpranmış, eksik, yanlış hizalanmış veya bağlama parçası veya diğer hasarlar açısından kontrol edin.
 - Ayak anahtarının olup olmadığını ve çalışmasını kontrol edin. Ayak anahtarının iyi durumda olduğunu, düzgün bir şekilde döndüğünü ve takılmadığını doğrulayın.
 - Besleme vidası, kesme tekerleği ve destek rulmanlar serbestçe hareket etmelidir.
 - Uyarı etiketinin ve diğer etiketlerinin varlığı ve okunurluğu (Bkz. Şekil 1).
 - Kesme tekerleği ve rayba kenarlarını aşınma, deformasyon, soyulma ve başka sorunlar açısından inceleyin. Kör, hasarlı veya gevşek makaslar alete hasar verebilir, kötü kesme kalitesine neden olabilir ve yaralanma riskini yükseltebilir.
 - PC116TS standını (standartlarını) kullanırken gerektiği şekilde temizleyin, kontrol edin ve yağlayın.
 - Güvenli ve normal çalışmayı etkileyebilecek başka her türlü durum.

Herhangi bir sorun bulunursa sorunlar çözülmünceye kadar elektrikli aleti kullanmayın.

4. Diğer donanımın talimatlara uygun kullanıldıklarından, böylelikle düzgün çalıştıklarından emin olun.

Makine ve Çalışma Alanının Kurulması

⚠ UYARI



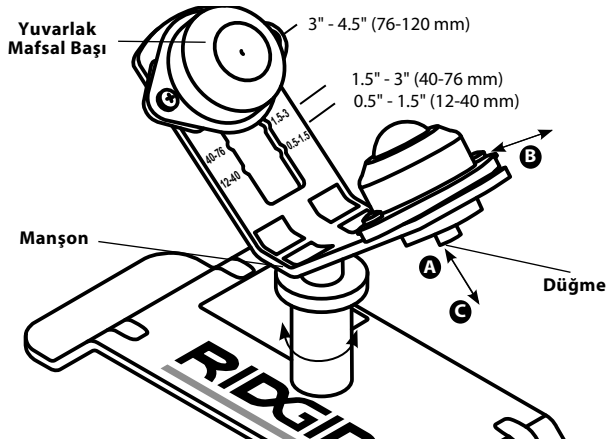
Elektrik çarpması, karmaşıklık, üzerine düşme sonucu oluşan yaralanmaları ve diğer vakalar nedeniyle ciddi yaralanma riskini azaltmak ve makine hasarını önlemek için Elektrikli Boru (Tüp) Makaslarını ve çalışma alanını bu prosedürlere göre kurun.

niye ciddi yaralanma riskini azaltmak ve makine hasarını önlemek için Elektrikli Boru (Tüp) Makaslarını ve çalışma alanını bu prosedürlere göre kurun.

1. Çalışma alanını aşağıdakiler açısından kontrol edin:
 - Yeterli ışıklandırma.
 - Yanıcı sıvılar, alev alabilir buhar veya tozlar. Alanda böyle bir kaynak olması durumunda tanımlayıcı düzeltene kadar çalışma yapmayın. Makas patlamaya karşı korumalı olmayıp kıvılcım oluşturabilir.
 - Tüm ekipman ve operatör için temiz, düz, sabit ve kuru bir yer olmalıdır.
 - Doğru voltaja sahip düzgün bir şekilde topraklanmış elektrik prizi. Gerekli voltaj için makine seri numarası plakasını kontrol edin. Üç dişli veya GFCI prizler düzgün şekilde topraklanmamış olabilir. Emin olmadığınız durumlarda prizi yetkili bir elektrik teknisyenine kontrol ettirin.
 2. Yapılacak işi kontrol edin. Borunun materyalini, tipini ve boyutunu tespit edin. İş için doğru ekipmanı belirleyin. Bkz. *Teknik Özellikler bölümü*.
 3. Kullanılacak tüm ekipmanların doğru bir şekilde kontrol ve monte edildiğinden emin olun.
 4. Makineyi düz, pürüzsüz ve sağlam bir yüzeye yerleştirin. Bkz. Montaj bölümünde "Tezgah Montajı". Ünitenin sağlam ve emniyetli olduğundan emin olun.
 5. Boru, makinenin dışına 6"ten (15 cm) fazla uzuyorsa boruyu desteklemek için uygun bir veya daha fazla stant kullanın. Stantları rulmanlar ile aynı hizaya yerleştirin. Daha uzun boru birden fazla standı ihtiyaç duyabilir. Sadece bu amaç için tasarlanan stantları kullanın. Borunun uygun olmayan boruları desteklemesi veya desteklemesi, devrilme veya yaralanmaya neden olabilir. Belirtilen stant kapasitesini aşmayın. Makas ve stant aynı düzleme yerleştirildiğinde boruyu desteklemek için RIDGID PC116TS Boru Standını kullanın.
- Bir tezgah veya başka yüksek bir çalışma alanında çalışırken boruyu desteklemek için çeşitli RIDGID Boru Stantları kullanılabilir. Zeminde PC116/PTC-400 kullanılıyorsa boruyu desteklemek için RIDGID PC116TS Boru Standını kullanın. Şekil 3.



Şekil 3 - Stant yerleştirme



Şekil 4 - PC116TS Stant Ayarı

PC116TS Stant/Ayar

PC116TS Standı PC116/PTC-400 Makasları ile kullanılmak üzere tasarlanan opsiyonel bir aksesuardır ve diğer kullanımlar için öngörülmemiştir.

Yuvarlak mafsal başlarını boru boyutuna göre ayarlamak için:

- Düğmeye **A** basın
- Yuvarlak mafsal başını doğru boru boyutu pozisyonuna hareket ettirin (bkz. Şekil 4) **B**
- Serbest bırakma düğmesi - emniyetli yerleştirildiğini onaylama **C**

Stant yüksekliğini ayarlamak için stant başlığını yükseltmek veya alçaltmak için manşonu çevirin. Stant, PC116/PTC-400 Makası ile aynı düz yüzeye yerleştirilmek için tasarlanmıştır. Şekil 3. Gerekirse standı yükseltmek için uygun ara parçalar (bir ahşap parçası gibi) kullanılabilir.

6. Makine ve boru etrafında minimum 3 fit (1 m) boşluk oluşturmak için erişim veya kurulum korumalarını veya barikatlarını kısıtlayın. Bu, operatör olmayanların makineye veya boruya temas etmesini önlemeye yardımcı olur ve devrilme veya dolaşma riskini azaltır.

7. Doğru çalışma konumuna izin vermek için ayak anahtarını Şekil 8 üzerinde gösterildiği gibi yerleştirin.

8. Anahtar O-OFF (O-KAPALI) konumunda olduğunda kabloyu açık bir yoldan geçirin. Kuru ellerle güç kablosunu topraklı prize düzgün şekilde takın. Tüm elektrik bağlantılarını kuru ve zeminden uzak tutun. Kablo yeterince uzun değilse aşağıdaki şartları karşılayan bir uzatma kablosu kullanın:

- İyi durumda olan.
- Elektrikli (tüp) makaslarındaki gibi üç çatalı fişe sahiptir.
- Açık havada kullanım için tasarlanmıştır.
- Yeterli tel boyutuna sahiptir. 50' (15,2 m) uzunluğundaki uzatma kabloları için 14 AWG (2,5 mm²) veya daha uzun tel kullanın. 50'-100' (15,2 m - 30,5 m) uzunluğundaki uzatma kabloları için 12 AWG (2,5 mm²) veya daha uzun tel kullanın.

9. Boru (tüp) makaslarının doğru şekilde çalışıp çalışmadığını kontrol edin. Temiz ellerle:

- Hız anahtarını I-LOW (I-DÜŞÜK) hız konumuna getirin. Ayak anahtarına basın ve serbest bırakın. Rulmanlar Şekil 5'teki oklarda gösterildiği gibi dönmelidir. Makine doğru yönde dönmüyorsa veya ayak düğmesi makine çalışmasını kontrol etmiyorsa, makineyi tamir edilene kadar kullanmayın.
- Ayak anahtarına basın ve basılı tutun. Hareketli parçaları yanlış hizalama veya yanlış bağlama, tuhaf sesler veya diğer olağan dışı durumlara karşı kontrol edin. Ayağınızı ayak anahtarından kaldırın. Olağan dışı durumlar bulunursa, makineyi tamir edilene kadar kullanmayın.



Şekil 5 - Rulman Dönüş Yönü

10. Hız anahtarını O-OFF (O-KAPALI) konumuna getirin ve kuru ellerle makineyi fişten çekin.

Çalıştırma Talimatları

⚠ UYARI



Boru (Tüp) Makaslarını çalıştırırken eldiven takmayın veya bol kıyafetler giymeyin. Kol düğmelerinizi ve çektinizi ilikleyin. Makineyi uzanarak kullanmayın. Kıyafetler makineye takılıp dolanmaya neden olabilir.

Ellerinizi rulmanlar, rayba, kesme tekerleği ve tüp gibi dönen parçalardan uzak tutun. Aleti veya tüpü tutmadan önce parçaların tamamen durmasını bekleyin. Bu uygulama döner parçalara dolanma riskini azaltır.

Tüpleri doğru bir şekilde destekleyin. Bu, devrilen ve düşen tüpten ve ekipmandan dolayı oluşan çarpma ve kırılma yaralanmaları riskini azaltır.

Çalışma sürecini ve ayak anahtarını sadece bir kişi kontrol etmelidir. Makine çalışırken çalışma alanında yalnızca operatör bulunmalıdır. Bu, yaralanma riskini azaltmaya yardımcı olur.

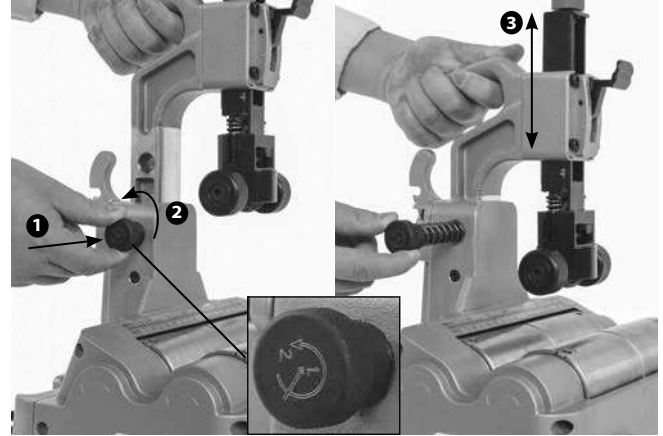
Elektrik çarpması, karmaşıklık, üzerine düşme sonucu oluşan yaralanmaları ve diğer vakalar nedeniyle ciddi yaralanma riskini azaltmak ve makine hasarını önlemek için işletme talimatlarına uyun.

Makine ve çalışma alanının doğru şekilde hazırlandığından ve çalışma alanında izleyiciler ve başka dikkat dağıtıcıların olmadığından emin olun. Makine çalıştırılırken operatör alandaki tek kişi olmalıdır.

Makasın Farklı Boru Boyutları İçin Ayarlanması

Hızlı Anahtar Boyut Ayarı

Hızlı anahtar boyut ayarı, 2" (50mm) ve daha küçük ve 2" ila 4" (50 mm - 100 mm) aralığında olan boru boyutlarını hızlıca ayarlamak için sunulmuştur.



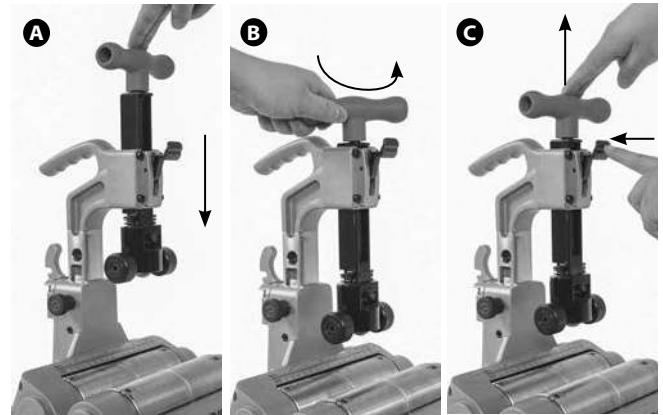
Şekil 6 - Hızlı Anahtar Boyut Ayarı

1. Makasta boru yokken tutamağı kavrayın ① düğmesine hafifçe basarak ve saat yönünün tersine ② hafifçe döndürerek pimi serbest bırakın. Düğme yay yüklüdür ve düğme hareketini geri çeker ve kontrol eder. *Bkz. Şekil 6.*
2. Tutamağı kullanarak başlığı istediğiniz konuma hareket ettirin ③.
3. Başlığı konumda tutmak için hızlı anahtar düğmesini takın.

Hızlı Besleme Makas Ayarı

Bu hızlı besleme makas ayarı, kesme işlemi sırasında kesme tekerleğini dışarı ve içeri doğru hareket ettirmek için kullanılır.

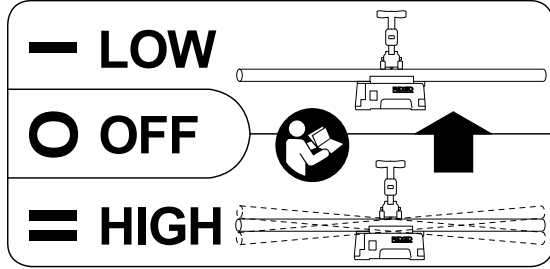
1. Kesme tekerleğini dışarı doğru hareket ettirmek için boruyu etkinleştirene kadar tutma sapını aşağı doğru (Şekil 7A) bastırın.
2. Kesme tekerleğini içeri doğru hareket ettirmek için tutma sapını/besleme vidasını 1-2 tur (Şekil 7B) çevirerek gevşetin ve geri çekilmesini sağlamak için düğmesine (Şekil 7C) basın (yay yüklüdür - tutma sapının hareket kontrolü).



Şekil 7 – Hızlı Besleme: A-İleri, B-Gevşet, C-Geri

Çalışma Hızını Seçme/Değiştirme

Elektrikli Boru (Tüp) Makaslarında iki çalışma hızı vardır - DÜŞÜK ve YÜKSEK, bkz. Şekil 8.



Şekil 8 – Hız Etiketleri

DÜŞÜK Hız (I-Low (I-Düşük) anahtar ayarı). Bu kullanım sırasında boru titreşim ve salınım riskini azaltır.

2" (50 mm) ve daha küçük çaplı olan ve 6.5"den (2 m) daha uzun borular için tavsiye edilir

YÜKSEK hız (II-Yüksek (II-Yüksek) anahtar ayarı). Bu kesme süresini kısaltır.

Herhangi bir uzunlukta olan ve 2"den (50mm) daha büyük çaplı borular için

6.5' (2 m) uzunluktan daha kısa olan borular için

Boru titreşimi ve salınımı boru uzunluğu, boyutu, ağırlığı, doğruluğu, stant hizası, rulman hızı, vb. gibi çok sayıda faktöre bağlıdır. Herhangi bir zaman borunun aşırı titreştiğini veya salındığını hissediyorsanız ayak anahtarını serbest bırakın. II-High (II-Yüksek) hızda olduğunda I-Low (I-Düşük) hızına geçin ve tekrar deneyin. I-Low (I-Düşük) hızda olduğunda ilgili parça için el makası gibi başka bir kesme yöntemine geçin.

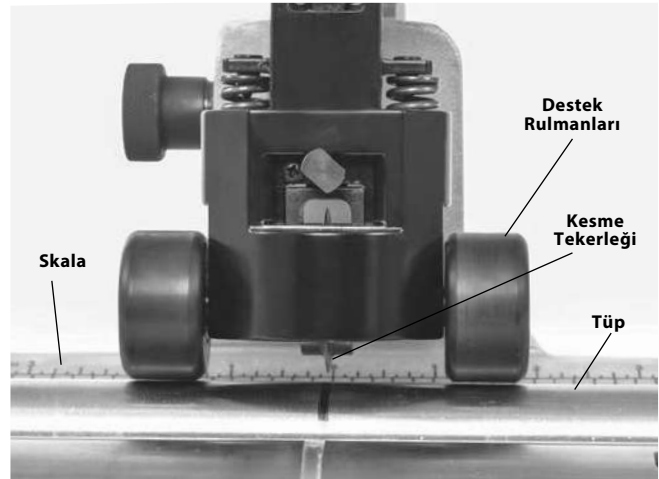
Hızları değiştirmek için ayak anahtarını serbest bırakın ve makasın tamamen durmasını sağlayın. Anahtarı istediğiniz pozisyona hareket ettirin. Makine çalışırken çalışma hızını değiştirmeyin.

Borunun Kesilmesi

1. Boruda görünür bükülmelerin olmadığından ve herhangi bir fittingin takılı olmadığından emin olun. Bükülmüş boruların veya fittingi olan boruların kesilmesi aşırı titreşime ve kontrol kaybına neden olabilir. Gerekirse bir el makası kullanın. Boruda istediğiniz uzunluğu işaretleyin. Kolaylık için makinede bir ölçek bulunur.
2. Gerekirse, hızlı anahtar boyut ayarı ile elektrikli boru (tüp) makasları boyut aralığını ayarlayın.
3. Boruları rulmanlara kesme işareti kesme tekerleği altında, ölçegin sıfır işaretinde olacak şekilde yerleştirin. Boru makinenin dışına çıkıyorsa borunun altına destekler yerleştirin. Destekler, boru rulmanlara dümdüz şekilde

oturacak şekilde ayarlanmalıdır. Bu kesimin doğru bir şekilde izlenmesine yardımcı olur. Şekil 3.

4. Makinenin ve borunun kontrolünü korumak için düzgün bir çalıştırma konumu sağlayın (bkz. Şekil 10):
 - Aletlere ve anahtara kolay bir şekilde erişebildiğinizden emin olun.
 - Ayak anahtarını kumanda edebileceğinizden emin olun. Henüz ayak anahtarına basmayın. Acil bir durumda, ayak anahtarı serbest bırakabilmelisiniz.
 - İyi bir dengeye sahip olduğunuzdan emin olun ve aşırı hile yapmak zorunda değilsiniz.
5. Destek rulmanları boruya temas edene kadar hızlı besleme sistemini ilerletin (Şekil 9). Kesme tekerleğini boru üzerindeki işaretle hizalayın. Kesme tekerleğinin boru ile temas edilmesi için besleme vidasını sıkın. Kesme tekerleği boru ile temas ettiğinde boruyu kavramak için besleme vidasını 1 ila 1½ tur daha ilerletin. Besleme vidasını fazla ilerletmeyin aksi takdirde boru oval bir form alabilir ve çapak oluşumu artabilir.



Şekil 9 – Boruyla Temas Eden Destek Rulmanları

6. Borunun kesilmesi için I-Low/O-OFF/II-High (I-Düşük/O-Kapalı/II-Yüksek) anahtarını uygun konuma hareket ettirin
7. Ayak anahtarına bastırın. Rulmanlar ve boru dönmeye başlar. Ellerinizi dönen parçalardan uzak tutun.



Şekil 10 – Borunun Kesilmesi

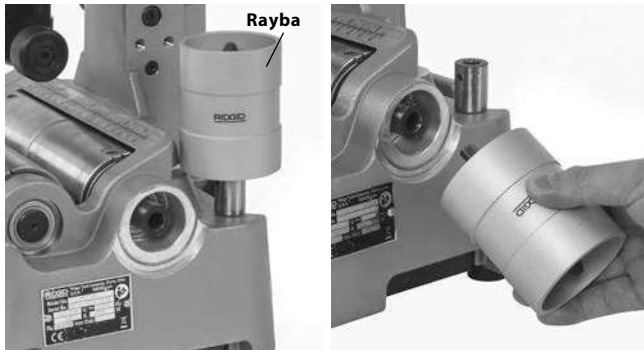
8. Boru kesilene kadar besleme vidasını yavaşça ve sürekli sıkarak besleme vidasını ilerletin. Sert kesme, kesme tekerleğine hasar verebilir ve aşırı çapağa neden olabilir. Destek rulmanlarının, borunun yerinde kalması için boru ile sürekli temas etmesine dikkat edin.

Kesme sırasında boru kıvrılırsa kesimi durdurun ve özellikle boru stantlarının hizası olmak üzere makine kurulumunu kontrol edin. Farklı boru materyalleri izlemeyi iyileştirmek için besleme vidalarının biraz daha fazla sıkılmasını gerektirebilir.

9. Ayağınızı ayak anahtarından kaldırın. Ardından I-Low/O-OFF/II-High (I-Düşük/O-Kapalı/II-Yüksek) anahtarını O-OFF (O-KAPALI) konumuna hareket ettirin.

10. Boru dönmeyi bırakırsa besleme vidasını 1-2 tur çevirerek gevşetin ve kesme tekerleğini tamamen geri çekmek için düğmeye basın. Boruyu çıkartın.

Borunun Raybalanması



Şekil 11 – Raybanın Takılması

1. I-Low/O-OFF/II-High (I-Düşük/O-Kapalı/II-Yüksek) anahtarını O-OFF Konumuna getirin.
2. Rayba depo konumundan kaldırın ve Şekil 11'de gösterildiği gibi kullanma konumuna getirin. Raybanın emniyetli bir şekilde monte edildiğinden emin olun.
3. I-Low/O-OFF/II-High (I-Düşük/O-Kapalı/II-Yüksek) anahtarını I-Low (I-Düşük) konumuna hareket ettirin.
4. Ayak anahtarına bastırın. Ellerinizi boru uçlarından ve dönen parçalardan uzak tutun.
5. Boruyu güvenli bir şekilde tutun. Kontrolü korumak için boruyu uygun bir şekilde destekleyin.
6. Boruyu rayba konisinin üzerine yerleştirin ve boru ucunun içindeki çapakları gidermek için hafifçe baskı uygulayın (Şekil 12). Boruyu raybanın içine zorlamayın, bu raybanın borunun yakalamasına ve elinize fırlamasına neden olabilir.



Şekil 12 – Borunun Raybalanması

7. Ayağınızı ayak anahtarından kaldırın.
8. I-Low/O-OFF/II-High (I-Düşük/O-Kapalı/II-Yüksek) anahtarını O-OFF Konumuna getirin.
9. Raybayı kullanım konumundan kaldırın ve depo konumuna geri getirin.

Taşıma

1. Düşmeyi veya devrilmeyi önlemek için tüm gevşek ekipmanı ve malzemeyi hareket etmeden önce makineden çıkarın.
2. Kesme Tekerleğini aşağı konuma getirin.
3. Güç kablosu ve ayak anahtarı hortumunu kablo kancasına geçirin ve Şekil 13'te gösterildiği gibi emniyete alın.
4. Tutamak ile kaldırın. Kaldırırken ve hareket ettirirken dikkatli şekilde kullanın. Makine ağırlığından haberdar olun.



Şekil 13 – Sarılı Kablo/Hortum

Saklama

⚠ UYARI Elektrikli Boru (Tüp) Makasları kuru ve iç mekanlarda tutulmalıdır, dış mekanda tutulacaksa iyice kaplanmalıdır. Makineyi, çocukların ve Elektrikli Boru (Tüp) Makaslarla aşına olmayan insanların ulaşamayacağı kilitli yerlerde saklayın. Bu makine, eğitimsiz kullanıcıların elinde, ciddi yaralanmalara sebep olabilir.

Bakım Talimatları

⚠ UYARI

Herhangi bir bakım yapmadan veya herhangi bir ayarlama yapmadan önce anahtarın O-OFF (O-KAPALI) konumunda olduğundan ve makinenin fişten çekildiğinden emin olun.

Elektrik çarpması, dolaşma ve diğer sebeplerden kaynaklanabilecek yaralanma riskini azaltmak için bu talimatlara makasa uygun bakım yapın.

Temizleme

Makineyi her kullanımdan sonra temiz ve kuru bir bez ile nazikçe temizleyin. Rulmanları temiz ve kir ve birikintilerden uzak tutun.

Raybayı maksimum verimlilik için temiz ve çapaklardan uzak tutun.

Motor havalandırmalarında olan kirlenmeleri ve birikintileri temizleyin.

Yağlama

Her ayda bir (veya gerekirse daha fazla) Elektrikli Boru (Tüp) Makaslarının ve PC116TS standının açık hareketli parçalarını (besleme vidası, hızlı besleme sistemi, rulmanlar ve pivot noktaları gibi) hafif bir yağlama yağı ile yağlayın. Açığı yüzeylerdeki fazla yağı silin.

Kesme Tekerleğinin Değiştirilmesi

Doğru kesme tekerleği seçimi için bkz. *Teknik Özellikler*. Farklı materyaller keserken kesme tekerleğini değiştirin, kesme ucu yontulduğunda veya düz olduğunda kesme tekerleğini yenileyin. Üniteye ekstra bir kesme tekerleği saklanabilir. Bkz. Şekil 13.

1. Bağlantı pimini sökün. Tekerlek Tutucu serbestçe düşer (Şekil 14).



Şekil 14 – Tekerlek Tutucunun Sökülmesi

2. Tekerlek pimini ve kesme tekerleği/yatağını sökün (Şekil 15).
3. Yatağı kontrol edin. Yatak serbestçe hareket etmelidir. Gerekirse değiştirin.
4. Kesme tekerleğini takmak için işlemi tersten uygulayın.



Şekil 15 – Kesme Tekerleğinin Değiştirilmesi

Motor Aşırı Akım Koruması

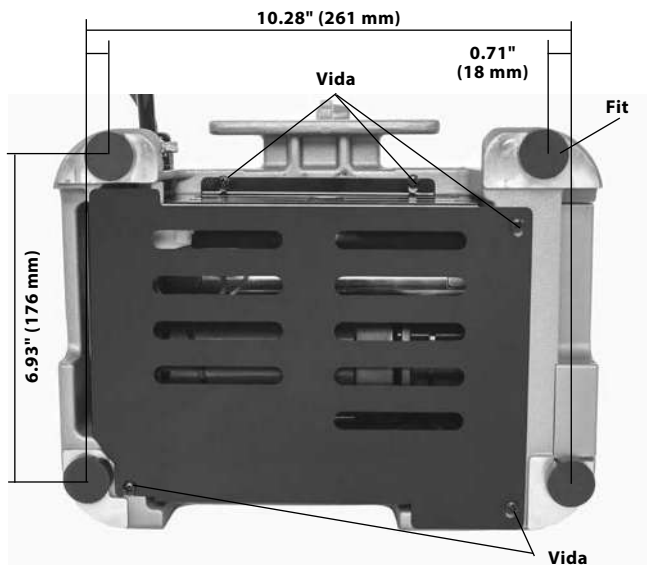
Makas, aşırı akım çektiğinde motoru korumak için makineyi kapatan aşırı akım koruması ile donatılmıştır.

Makine beklenmedik bir şekilde kapanırsa ayak anahtarını serbest bırakın. Anahtarı O-OFF (O-KAPALI) konumuna getirin ve makineyi fişten çekin. Makinedeki tüm boruları sökün. Makinenin doğru bir şekilde çalıştığından emin olmak için Kullanım-Öncesi Kontrol ve Makine ve Çalışma Alanı Kurulum bölümlerine uyun.

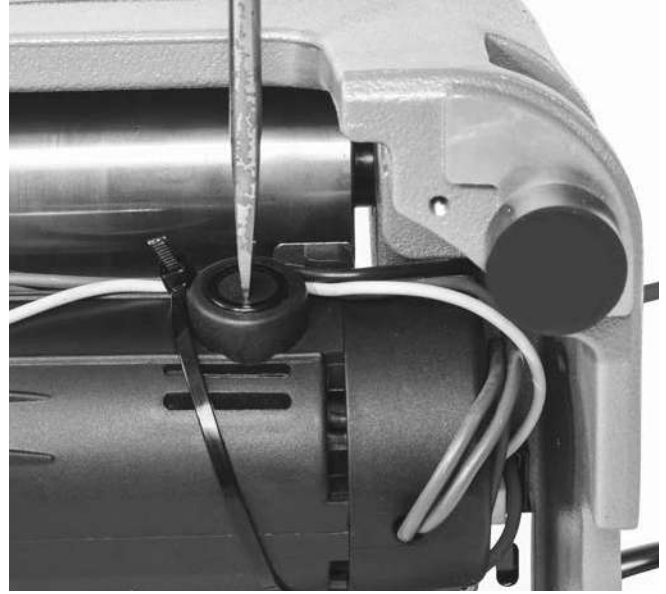
Motor Fırçalarının Değiştirilmesi

Motor fırçalarını altı ayda bir kontrol edin, fırçaların uzunluğu 5 mm'nin (0.2") altında olduğunda fırçalar değiştirilmelidir.

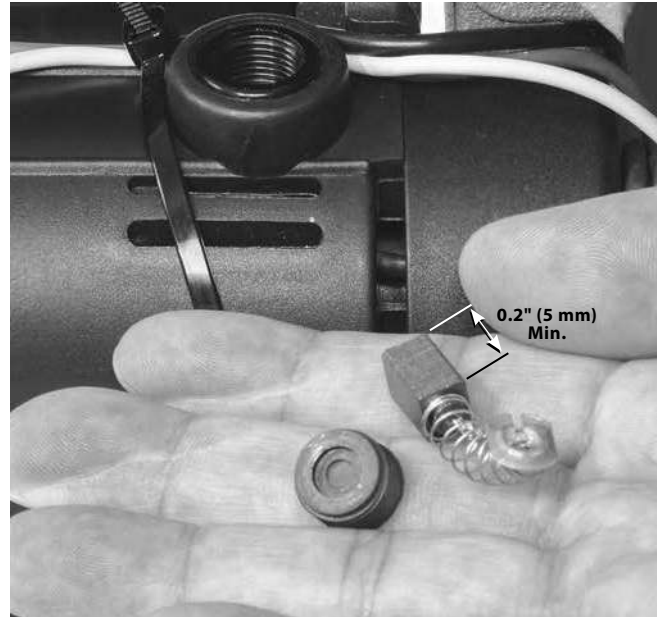
1. Anahtarın O-OFF (O-KAPALI) konumunda olduğundan ve makinenin fişten çekildiğine emin olun.
2. Alt kapağı tutan beş vidayı gevşetin (Şekil 16) ve kapağı sökün (Bazı vidalar kapağı sabitlemiştir).
3. Fırça kapaklarını gevşetmek ve sökmek için bir tornavida kullanın (Şekil 17). Karbon fırçaları nazikçe sökün ve uzunluğu kontrol edin (Şekil 18). Fırça uzunluğu 5 mm'nin (0.2") altında olduğunda fırçaları değiştirin.
4. Fırçayı fırça tutucusuna yerleştirin, fırça parçalarını fırça tutucusundaki rölyeflere göre hizalayın.
5. Fırça kapaklarını emniyetli bir şekilde sıkın. Alt kapağı tekrar takın.
6. Makin tekrar birleştirildiğinde makineyi, fırçaları alıştırmak için makinede boru yokken beş dakika boyunca II-High (II-Yüksek) hızında çalıştırın.



Şekil 16 – Alt Kapak Vidaları



Şekil 17 – Fırça Kapağının Sökülmesi



Şekil 18 – Fırça Uzunluğunun Kontrol Edilmesi

PC116/PTC-400 bilgi kaynağına ve videosuna erişmek için aşağıdaki QR kodunu tarayın.



Sorun Giderme

PROBLEM	OLASI NEDENLERİ	ÇÖZÜM
Çalışma sırasında aşırı titreşim.	Yanlış çalışma hızı.	Bkz. <i>Çalışma Hızını Seçme</i> .
	Bükülmüş boru kesiliyor.	Görünebilir şekilde bükülmüş boruyu kesmeyin. El makası kullanın.
	Uzun boru doğru şekilde desteklenmiyor.	Uzun boruları boru stantları ile destekleyin.
	Makine doğru şekilde monte edilmedi.	Makineyi düz bir yüzeye doğru bir şekilde monte edin, montaj civataları ile sabitleyin.
Makine boruları doğru şekilde kesmiyor.	Aşınmış kesme tekerleği.	Aşınmış kesme tekerleğini değiştirin.
	Yanlış boru boyutu veya materyalinde kullanım.	Doğru boru tipinde kullanım (bkz. <i>Teknik Özellikler</i>).
Makine kesme sırasında tekliyor.	Kesme sırasında kesme tekerleğinde sert besleme.	Kesme tekerleğini yavaşça besleyin.
Makine çalışmıyor.	Motor fırçaları yıpranmış.	Yeni motor fırçaları takın.
	Aşırı akım koruması etkinleştirildi.	<i>Bakım bölümündeki Motor Aşırı Akım talimatlarına uyun.</i>
Aşırı boru çapağı veya uç deformasyonu.	Aşınmış veya hasarlı kesme tekerleği.	Kesme tekerleğini değiştirin.
	Kesme sırasında kesme tekerleğinde sert besleme.	Kesme tekerleğini yavaşça besleyin.
Ayak anahtarına basıldığında makine duruyor. Ayak anahtarına yeniden basıldığında yeniden başlar.	Ayak anahtarında/hortumda delik.	Ayak anahtarını değiştirin.
	Hava anahtarı sızdırıyor.	Ayak anahtarı/hortum ile herhangi bir sorun yoksa hava anahtarını değiştirin.

Bakım ve Onarım

⚠ UYARI

Hatalı servis ve tamir makinenin çalışmasını güvensiz kılabilir.

Bakım Talimatları, bu makinenin bakım gereksinimlerinin çoğunu karşılayacaktır. Bu bölümde bahsedilmeyen sorunlar sadece bir RIDGID Bağımsız Servis Merkezi tarafından ele alınmalıdır. Sadece RIDGID servis parçaları kullanın.

Size en yakın RIDGID Bağımsız Servis Merkezi hakkında bilgi veya servis ya da onarımla ilgili sorularınız için *bu kılavuzdaki İrtibat Bilgileri bölümüne* bakın.

İsteğe Bağlı Ekipman

⚠ UYARI

Ciddi yaralanma riskini azaltmak için listelenenler gibi sadece RIDGID PC116/PTC-400 Elektrikli Boru (Tüp) Makasları için özel tasarlanan ve önerilen aksesuarları kullanın.

Katalog No.	Açıklama
64903	PC116/PTC-400 ile kullanılmak için PC116TS Boru standı
66253	PC116 220-240V Motor karbon fırça
66248	PC116 100-120V Motor karbon fırça
56662	VJ-99 28" - 52" V-Kafalı Yüksek Boru Standı
64908	PC116/PTC-400 için 137S Rayba
66938	E850 Kesme Tekerleği (Metal Boru İçin)
66943	E855 Kesme Tekerleği (Plastik Boru İçin)
64898	Kesme Tekerleği Yatağı

Bu makineler için mevcut olan RIDGID ekipmanların tam bir listesi için RIDGID.com adresinden çevrim içi Ridge Makine Kataloğuna bakın *veya İrtibat Bilgilerine* bakın.

Elden Çıkarma

Bu aletlerin parçaları değerli malzemeler içermektedir ve geri dönüşüme tabi tutulmalıdır. Bulduğunuz bölgede geri dönüşüm konusunda uzmanlaşmış şirketler bulunabilir. Parçaları geçerli düzenlemelere göre elden çıkarın. Daha fazla bilgi için yerel yetkili atık yönetimi birimi ile iletişim kurun.



AB Ülkeleri için: Elektrikli cihazları ev atıkları ile birlikte atmayın!

Atık Elektrikli ve Elektronik Cihazlar için Avrupa Yönergesi 2012/19/EU ve yerel mevzuata uygulanmasına göre, kullanılmayacak durumdaki elektrikli cihazlar ayrı olarak toplanmalı ve çevreye zarar vermeyecek şekilde elden çıkarılmalıdır.

Машина за рязане на тръби

РС116/РТС-400 Електрическа машина за рязане на тръби



⚠ ПРЕДУПРЕЖДЕНИЕ!

Прочетете внимателно това ръководство за оператора, преди да използвате този инструмент. Неразбирането и неспазването на съдържанието на това ръководство може да доведе до токов удар, пожар и/или сериозно нараняване.

РС116/РТС-400 Електрическа машина за рязане на тръби

Запишете серийния номер отдолу и запазете серийния номер на продукта, който се намира на табелката с данни.

Серийен
№

--	--

Съдържание

Форма за запис на сериен номер на машината	361
Символи за безопасност	363
Общи предупреждения за безопасност на електрически инструмент	363
Безопасност на работното място	363
Електрическа безопасност	363
Лична безопасност.....	364
Използване и грижа за електрическия инструмент.....	364
Сервизно обслужване	365
Специфична информация за безопасност	365
RIDGID Информация за контакт	365
Описание	365
Спецификации	366
Стандартно оборудване.....	367
Сглобяване	367
Монтаж на работна маса	367
Проверка преди експлоатация	367
Настройка на машината и работната зона	368
PC116TS Регулиране на стойката.....	369
Инструкции за експлоатация	370
Регулиране на тръбореза за различни размери на тръбите	370
Избор/промяна на работната скорост	371
Рязане на тръба.....	371
Разширител Тръба	372
Транспортиране	373
Съхраняване	373
Инструкции за поддръжка	373
Почистване	374
Смазване.....	374
Смяна на колело на тръбореза	374
Защита от свръхток на двигателя	374
Смяна на четки на двигателя.....	374
Отстраняване на проблеми	376
Сервиз и ремонт	376
Опционално оборудване	377
Бракуване	377
Декларация за съответствие на ЕО	На гърба на задната корица
Доживотна гаранция	Задна корица

* Превод на оригиналната инструкция

Символи за безопасност

В това ръководство за оператора и върху продукта символите за безопасност и сигналните думи се използват за предаване на важна информация за безопасност. Този раздел е предоставен за подобряване на разбирането на тези сигнални думи и символи.



Това е символът за предупреждение за безопасност. Използва се, за да ви предупреди за потенциална опасност от нараняване. Спазвайте всички съобщения за безопасност, следващи този символ, за да избегнете евентуални наранявания или смърт.

▲ ОПАСНОСТ ОПАСНОСТ показва опасна ситуация, която, ако не бъде избегната, ще доведе до смърт или сериозно нараняване.

▲ ПРЕДУПРЕЖДЕНИЕ ПРЕДУПРЕЖДЕНИЕ показва опасна ситуация, която, ако не бъде избегната, би могла да доведе до смърт или сериозно нараняване.

▲ ВНИМАНИЕ ВНИМАНИЕ показва опасна ситуация, която, ако не бъде избегната, би могла да доведе до малко или средно по сила нараняване.

ЗАБЕЛЕЖКА ЗАБЕЛЕЖКА посочва информация, свързана със опазването на собствеността.



Този символ означава да прочетете внимателно ръководството за оператора, преди да използвате оборудването. Ръководството за оператора съдържа важна информация за безопасната и правилна работа на оборудването.



Този символ означава винаги да носите предпазни очила със странични екрани или очила, когато работите или използвате това оборудване, за да намалите риска от нараняване на очите.



Този символ показва риска от токов удар.



Този символ обозначава риска от захващане или затискане на ръцете, пръстите или други части на тялото в ролки или други движещи се части.



Този символ показва риска от порязване ръцете, пръстите или други части на тялото от въртящите се или движещи се части.



Този символ показва риска от преобръщане на машината, причиняване на удари или смазване.



Този символ означава да не носите ръкавици, докато работите с тази машина, за да намалите риска от заплитане.

Общи предупреждения за безопасност на електрически инструмент*

▲ ПРЕДУПРЕЖДЕНИЕ

Прочетете всички предупреждения за безопасност, инструкции, илюстрации и спецификации, предоставени с този електрически инструмент. Неспазването на всички инструкции, изброени по-долу, може да доведе до токов удар, пожар и/или сериозно нараняване.

ЗАПАЗЕТЕ ВСИЧКИ ПРЕДУПРЕЖДЕНИЯ И ИНСТРУКЦИИ ЗА БЪДЕЩИ СПРАВКИ!

Терминът „електрически инструмент“ в предупрежденията се отнася до вашия електрически инструмент, захранван от електропреносната мрежа (с кабел) или захранван от акумулатор (безжичен) инструмент.

Безопасност на работното място

- **Поддържайте работното място чисто и добре осветено.** Претрупаните или тъмни места привличат инциденти.

- **Не работете с електрически инструменти във взривоопасна атмосфера, например в присъствието на запалими течности, газове или прах.** Електрическите инструменти създават искри, които могат да възпламенят праха или изпаренията.
- **Дръжте децата и околните преминаващи настрана, докато работите с електрически инструмент.** Разсейването може да доведе до загуба на управление.

Електрическа безопасност

- **Щепселите на електрическите инструменти трябва да съответстват на контакта. Никога не модифицирайте щепсела по никакъв начин. Не използвайте адаптерни щепсели със заземени електрически инструменти.** Немодифицираните щепсели и съответстващите контакти ще намалят риска от токов удар.
- **Избягвайте контакт на тялото със заземени или замасени повърхности като тръби, радиатори, конвектори и хладилници.** Има повишен риск от токов удар, ако тялото ви е заземено или замасено.
- **Не излагайте електрическите инструменти на дъжд или мокри условия.** Попадането на вода в електрически инструмент ще увеличи риска от токов удар.

* Текстът, използван в Общи предупреждения за безопасност на електрическите инструменти в това ръководство, следва дословно, както се изисква, приложимия стандарт UL/CSA/EN 62841-1. Този раздел съдържа общи практики за безопасност за много различни видове електрически инструменти. Не всяка предпазна мярка се отнася за всеки инструмент, а някои не се отнасят за този инструмент.

- **Не злоупотребявайте с кабела.** Никога не използвайте кабела за носене, издърпване или изключване на електрическия инструмент. Пазете кабела далеч от топлина, масло, остри ръбове или движещи се части. Повредените или заплетени кабели увеличават риска от токов удар.
- **Когато използвате електрически инструмент на открито, използвайте удължителен кабел, подходящ за използване на открито.** Използването на кабел, подходящ за използване на открито, намалява риска от токов удар.
- **Ако използването на електрически инструмент на влажно място е неизбежно, използвайте защитено захранване с прекъсвач на утечки на земята (GFCI).** Използването на GFCI намалява риска от токов удар.

Лична безопасност

- **Бъдете нащрек, следете какво правите и използвайте здравия разум, когато работите с електрически инструмент.** Не използвайте електрически инструмент, докато сте уморени или под въздействието на наркотици, алкохол или лекарства. Момент на невнимание при работа с електрически инструменти може да доведе до сериозно нараняване.
- **Използвайте лична предпазна екипировка.** Винаги носете предпазни очила. Предпазната екипировка като маска за прах, неплъзгащи се предпазни обувки, каска или шлемофони, използвана в съответните условия, ще намали нараняванията.
- **Предотвратете неволно стартиране.** Уверете се, че превключвателят е в положение OFF (ИЗКЛ), преди да свържете към източника на захранване и/или акумулатора, да хващате или пренасяте инструмента. Носенето на електрически инструменти с пръст върху превключвателя или включване на захранването на електрически инструменти, чийто превключвател е в положение ON (ВКЛ), предизвиква инциденти.
- **Извадете всички регулатори или гаечни ключове, преди да включите електрическия инструмент.** Гаечен ключ или ключ, оставен на въртящата се част на електрическия инструмент, може да доведе до нараняване.
- **Не се протягайте прекалено.** Поддържайте правилен строеж и баланс през цялото време. Това позволява по-добър контрол върху електрическия инструмент в неочаквани ситуации.
- **Обличайте се подходящо.** Не носете широки дрехи или бижута. Дръжте косата и дрехите си далеч от движещите се части. Широките дрехи, бижута или дългата коса могат да бъдат захванати от движещите се части.
- **Ако са предвидени устройства за свързване на съоръжения за извличане и събиране на прах, уверете се, че те са свързани и използвани правилно.** Събирането на прах може да намали свързаните с праха опасности.
- **Не позволявайте познанията, получени от честото използване на инструменти, да ви позволят да станете самоуверени и да игнорирате принципите за безопасност на инструментите.** Небрежното действие може да доведе до тежки наранявания в рамките на част от секундата.

Използване и грижа за електрическия инструмент

- **Не насилвайте електрическия инструмент.** Използвайте правилния електрически инструмент за вашето приложение. Правилният електрически инструмент ще свърши работата по-добре и по-безопасно със скоростта, за която е проектиран.
- **Не използвайте електрическия инструмент, ако превключвателят не го включва и изключва.** Всеки електрически инструмент, който не може да се управлява с превключвателя, е опасен и трябва да бъде поправен.
- **Изключете щепсела от източника на захранване и/или акумулатора, ако е подвижен, от електрическия инструмент, преди да извършвате каквито и да било настройки, смяна на аксесоари или съхранение на електрически инструменти.** Такива превантивни мерки за безопасност намаляват риска от случайно стартиране на електрическия инструмент.
- **Съхранявайте неизползваните електрически инструменти на място, недостъпно за деца, и не позволявайте на лица, които не са запознати с електрическия инструмент или тези инструкции, да работят с инструмента.** Електрическите инструменти са опасни в ръцете на необучени потребители.
- **Поддържайте електрически инструменти.** Проверявайте за неправилно подравняване или закрепване на подвижни части, счупване на части и всякакви други условия, които могат да повлияят на работата на електрическия инструмент. Ако е повреден, поправете електрическия инструмент преди употреба. Много аварии са причинени от лошо поддържани електрически инструменти.
- **Поддържайте режещите инструменти остри и чисти.** Правилно поддържаните режещи инструменти с остри режещи ръбове са по-малко склонни да се запъват и са по-лесни за управление.

- Използвайте електрическия инструмент, аксесоарите и накрайниците за инструменти и т.н. в съответствие с тези инструкции, като вземете предвид работните условия и работата, която трябва да се извърши. Използването на електрическия инструмент за операции, различни от предвидените, може да доведе до опасна ситуация.
- Поддържайте дръжките и ръкохватките сухи, чисти и без масло и мазнини. Хлъзгавите дръжки и ръкохватки не позволяват безопасно боравене и контрол на инструмента в неочаквани ситуации.

Сервизно обслужване

- Вашият електрически инструмент трябва се обслужва от квалифициран сервиз, като се използват само идентични резервни части. Това ще гарантира запазването на безопасността на електрическия инструмент.

Специфична информация за безопасност

⚠ ПРЕДУПРЕЖДЕНИЕ

Този раздел съдържа важна информация за безопасност, която е специфична за този инструмент.

Прочетете внимателно тези предпазни мерки, преди да използвате PC116/PTC-400 Електрическа машина за рязане на тръби, за да намалите риска от токов удар или друго сериозно нараняване.

ЗАПАЗЕТЕ ВСИЧКИ ПРЕДУПРЕЖДЕНИЯ И ИНСТРУКЦИИ ЗА БЪДЕЩИ СПРАВКИ!

Съхранявайте това ръководство при машината, за да може да се използва от оператора.

- Не носете ръкавици или широки дрехи, когато работите с машина за рязане на тръби. Дръжте ръкавите и якетата закопчани. Не се пресягайте през машината. Дрехите могат да бъдат захванати от машината, което води до заплитане.
- Дръжте ръцете далеч от въртящите се части като ролки, разширител, режещо колело и тръба. Изчаквайте частите да спрат напълно, преди да боравите с инструмента или тръбата. Тази практика ще намали вероятността от заплитане във въртящи се части.
- Закрепете машината на стабилна работна маса или стенд. Подпрете правилно тръбите. Това ще намали риска от наранявания от удряне и смазване поради преобръщане и падане на тръба и оборудване.
- Не режете видимо огънати тръби или тръби с прикрепени фитинги. Намалява риска от прекомерни вибрации и загуба на контрол върху машината и/или тръбите.

- Винаги носете подходяща защита за очите и подходящи лични предпазни средства. Режещите инструменти могат да се счупят или разбият. Това ще намали риска от нараняване.
- Един човек трябва да контролира работния процес и крачния превключвател. Само операторът трябва да е в работната зона, когато машината работи. Това спомага да се намали риска от нараняване.
- Прочетете и разберете тези инструкции и инструкциите и предупрежденията за цялото оборудване и материали, които се използват, преди да използвате този инструмент, за да намалите риска от сериозно нараняване.

RIDGID Информация за контакт

Ако имате някакви въпроси относно този продукт RIDGID®:

- Свържете се с вашия местен дистрибутор на RIDGID®.
- Посетете RIDGID.com, за да намерите местния контакт на RIDGID.
- Свържете се с Ridge Tool Technical Service Department на адрес rtctechservices@emerson.com, а в САЩ и Канада може да позвъните на (800) 519-3456.

Описание

RIDGID® PC116/PTC-400 Електрическа машина за рязане на тръби е предназначена за рязане на метални и пластмасови тръби с номинален размер от ½" до 4" (12 до 100 mm).

Двускоростен превключвател контролира скоростта на ролката, а пневматичният крачен превключвател осигурява включване и изключване на двигателя. Предвидена е скала за измерване на тръбите. Електрическата машина за рязане на тръби е лека и компактна за по-лесен транспорт.

Предлага се опционален разширител за отстраняване на мустаци от вътрешната страна на тръбите до 2" (50 mm).

Машина за рязане на тръби не е проектирана за използване с тръбопроводи.



Фигура 1 – RIDGID® PC116/PTC-400 Електрическа машина за рязане на тръби



Фигура 2 – Сериен номер на машината

Сериенният номер на машината се намира от страни на машината. Последните 4 цифри показват месеца и годината на производство. (10 = месец, 19 = година).

Спецификации

Номинален размер на тръбата Капацитет на рязане 1/2" до 4" (12 mm до 100 mm)
 Действителен капацитет на рязане 1/2" до 4.5" (12 mm до 116 mm)

Материал на тръбата/цветта*	Максимална дебелина на стената	CutterWheel	
		E-850	E-855
		Кат. #66938	Кат. #66943
Въглеродна стомана	0.1" (2.5 mm)	X	
Неръждаема стомана	0.1" (2.5 mm)	X	
Алуминий	0.1" (2.5 mm)	X	
Мед	0.1" (2.5 mm)		X
Пластмаса	0.23" (6 mm)		X

* Само общи указания. Съставът на материала, твърдостта и други фактори влияят върху способността за рязане, живота на колелото, образуването на мустаци и др

Номинален разширителен капацитет 1/2" до 2" (12 mm до 50 mm)
 (опционален аксесоар)

Макс. дължина на тръбата 20' (6m)

Двигател

Тип.....	Универсален	
Напрежение	100-120V	220-240V
Ток.....	5.8 A	3.0A
Честота.....	50/60 Hz	50/60 Hz
Мощност.....	705W	705W

Вижте серийната табелка на продукта за информация, специфична за устройството.

Скорост на въртене на ролката.....	190/363 об/мин за 220-240V, 225/385 об/мин за 100-120V
Органи за управление.....	Превключвател I-Ниско / O-ИЗКЛ / II-Високо и Крачен превключвател ВКЛ/ИЗКЛ
Тегло	32 lbs. (14,5 kg)
Общи размери Д x Ш x В.....	11.6" x 9.4" x 15.9" (295 mm x 239 mm x 403 mm)
Работна температура	-4°F до 122°F (-20°C до 50°C)
Звуково налягане (L _{РА})*.....	82.3 dB(A), K=3
Звукова мощност (L _{WA})*.....	93.3 dB(A), K=3

* Измерванията на звука са направени в съответствие със стандартизиран тест съгласно стандарт EN 62481-1.

- Звуковите емисии могат да варират в зависимост от местоположението ви и специфичното използване на тези инструменти.

- Ежедневните нива на експозиция на звука трябва да бъдат оценени за всяко приложение и да се вземат подходящи мерки за безопасност, когато е необходимо. Оценката на нивата на експозиция трябва да отчита времето, когато инструментът е изключен и не се използва. Това може значително да намали нивото на експозиция през целия работен период.

Стандартно оборудване

Вижте каталога RIDGID за подробности относно доставеното оборудване с конкретните каталожни номера на машините.

ЗАБЕЛЕЖКА Изборът на подходящи материали и методите за монтаж, сглобяване и оформяне е отговорност на проектанта на системата и/или монтажника. Изборът на неподходящи материали и методи може да причини повреда в системата.

По време на монтажа, сглобяването и оформянето могат да бъдат замърсени неръждаемата стомана и другите устойчиви на корозия материали. Това замърсяване може да причини корозия и преждевременна повреда. Преди да се направи каквато и да е инсталация, трябва да се извърши внимателна оценка на материалите и методите за специфичните условия на експлоатация, включително химически и температурни.

За да намалите риска от замърсяване на неръждаемата стомана с желязо, уверете се, че ролките са чисти и без остатъци. Почистете старателно с четка от неръждаема стомана. Сменете колелото на тръбореза и разширителя преди употреба с материал от неръждаема стомана. Най-добрата практика е да се отдели фреза само за неръждаема стомана.

Сглобяване

⚠ ПРЕДУПРЕЖДЕНИЕ

За да намалите риска от сериозно нараняване по време на употреба, следвайте тези процедури за правилно сглобяване. Превключвателят трябва да е ИЗКЛЮЧЕН и машината да е изключена преди сглобяването.

Монтаж на работна маса

Машината може да се монтира на равна, стабилна работна маса. За да монтирате устройството на работна маса, развийте гумените крачета в четирите ъгъла на основата на машината (вижте фигура 16) и използвайте болтове М8, за да задържите машината на масата. Затегнете здраво.

Проверка преди експлоатация

⚠ ПРЕДУПРЕЖДЕНИЕ



Преди всяка употреба проверявайте вашата машина за рязане на тръби и коригирайте всички проблеми, за да намалите риска от сериозни наранявания от токов удар, заплитане, нараняване и други причини и да предотвратите повреда на машината.

1. Уверете се, че машината за рязане на тръби е изключена.
2. Почистете машината и оборудването, включително дръжките и органите за управление. Това подпомага проверката и помага за предотвратяване на използване на машината или контрола от ръкохватката ви. Почистете и поддържайте машината в съответствие с инструкциите за поддръжка.
3. Проверете машината за рязане на тръби:
 - Проверете кабела и щепсела за повреди или модификации.
 - Правилно сглобяване, поддръжка и комплектност.
 - Всякакви счупени, износени, липсващи, неправилно подравнени или залепнали части или други повреди.
 - Наличие и работа на крачния превключвател. Уверете се, че крачният превключвател е прикрепен в добро състояние, че той се движи гладко и не залепва.
 - Свободно движение на подаващия винт, колело на тръбореза и поддържащи ролки.
 - Наличие и четливост на предупредителни и други етикети (Вижте фигура 1).

- Проверете режещите ръбове на колелото и разширителя за износване, деформация, стружки или други проблеми. Тъпите, повредени или разхлабени тръборези могат да повредят инструмента, да доведат до некачествено рязане и да увеличат риска от нараняване.
- Ако използвате стойка(и) PC116TS, почистете, инспектирайте и смажете, ако е необходимо.
- Всяко състояние, което може да попречи на безопасната и нормална работа.

Ако се открият някакви проблеми, не използвайте инструмента, докато проблемите не бъдат отстранени.

4. Проверете и поддържайте всяко друго оборудване, което се използва в съответствие с инструкциите му, за да се уверите, че функционира правилно.

Настройка на машината и работната зона

⚠ ПРЕДУПРЕЖДЕНИЕ



Настройте електрическата машина за рязане на тръби и работната зона в съответствие с тези

процедури за намаляване на риска от сериозни наранявания от токов удар, заплитане, нараняване и други причини и предотвратяване на повреда на машината.

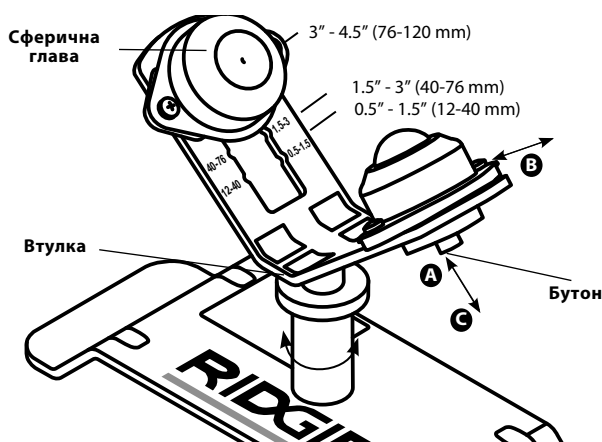
1. Проверете работната зона за:
 - Адекватно осветление.
 - Запалими течности, пари или прах, които могат да се възпламенят. Ако има такива, не работете в района, докато източниците не бъдат идентифицирани и коригирани. Тръборезът не е взривобезопасен и може да причини искри.
 - Ясно, ниво, стабилно, сухо място за цялото оборудване и оператора.
 - Правилно заземен електрически контакт на правилното напрежение. Проверете табелката със сериен № на машината за необходимото напрежение. Щепсел с три зъба или GFCI може да не е правилно заземен. Ако се съмнявате, щепселът трябва да се огледа от лицензиран електротехник.
2. Огледайте работата, която трябва да свършите. Определете материала, вида и размера на тръбата. Определете правилното оборудване за работата. *Вижте раздела за спецификации.*

3. Уверете се, че цялото оборудване, което ще се използва, е правилно проверено и сглобено.
4. Поставете машината на плоска, равна, стабилна повърхност. Вижте раздел „Монтаж на работна маса“ в раздела за сглобяване. Уверете се, че устройството е стабилно и сигурно.
5. Ако тръбата ще стърчи на повече от 6" (15 см) отвъд машината, използвайте една или повече подходящи стойки, за да поддържате тръбата. Поставете стойките на една линия с ролките. По-дългата тръба може да се нуждае от повече от една стойка. Използвайте само стойки, предназначени за тази цел. Неправилната опора или поддържането на тръбата с ръка може да причини нараняване или заплитане. Не превишавайте маркирания капацитет на стойката. Когато ножът и стойката са в една и съща равнина, използвайте стойката за тръби RIDGID PC116TS, за да поддържате тръбата.

Ако работите на маса или друга повдигната работна зона, могат да се използват различни RIDGID стойки за тръби, които да поддържат тръбата. Ако използвате PC116 / PTC-400 на земята, използвайте стойката за тръби RIDGID PC116TS, за да поддържате тръбата. *Вижте Фигура 3.*



Фигура 3 – Поставяне на стойката



Фигура 4 – PC116TS Регулиране на стойката

PC116TS Регулиране на стойката

Стойката PC116TS е опционален аксесоар, предназначен за използване с PC116/PTC-400 Машината за рязане на тръби и не е предназначена за други цели.

За да регулирате сферичните глави за размер на тръбата:

- Натиснете бутона **A**
- Преместете сферичната глава към правилната позиция за размер на тръбата (вижте Фигура 4) **B**
- Освободете бутона – проверете надеждното положение **C**

За да регулирате височината на стойката, завъртете втулката, за да повдигнете или спуснете главата на стойката. Стойката е проектирана да се поставя на същата равна повърхност като тръбореза PC116/PTC-400. Вижте Фигура 3. Ако е необходимо, за повдигане на стойката могат да се използват подходящи дистанционни елементи (като парче дърво).

- Ограничете достъпа или поставете предпазители или барикади, за да създадете минимум 3 фута (1 м) просвет около машината и тръбата. Това помага да се предотврати контакт на случайни хора с машината или тръбата и намалява риска от преобръщане или заплитане.
- Поставете крачния превключвател, както е показано на Фигура 8, за да осигурите правилно работно положение.
- С превключвателя в положение O-OFF (ИЗКЛ), прекарайте кабела по чисто трасе. Със сухи ръце включете захранващия кабел в правилно заземения контакт. Дръжте всички съединения сухи и без контакт със земята. Ако захранващият кабел не е достатъчно дълъг, използвайте удължителен кабел, който:

- Е в добро състояние.
- Има щепсел с три зъба, както на електрическата машина за рязане на тръби.
- Е обозначен за употреба на открито.
- Има достатъчен размер на проводника. За удължителни кабели до 50' (15.2 m) дължина използвайте 14 AWG (2.5 mm²) или по-тежки. За удължителни кабели с 50'-100' (15.2 m - 30.5 m) дължина използвайте 12 AWG (2.5 mm²) или по-тежки.

9. Проверете електрическата машина за рязане на тръби за правилна работа. С чисти ръце:

- Преместете превключвателя на скоростта на положението на скоростта I-НИСКО. Натиснете и освободете крачния превключвател. Ролките трябва да се въртят, както е показано със стрелките на Фигура 5. Ако машината не се върти в правилната посока или крачния превключвател не контролира работата на машината, не използвайте машината, докато не бъде ремонтирана.
- Натиснете и задръжте крачния превключвател. Проверете подвижните части за неправилно подравняване, закрепване, странни шумове или други необичайни условия. Извадете крака от крачния превключвател. Ако се установят някакви необичайни условия, не използвайте машината, докато не бъде ремонтирана.



Фигура 5 – Посока на въртене на ролката

10. Преместете превключвателя за скоростта в положение O-ИЗКЛ и със сухи ръце изключете машината от контакта.

Инструкции за експлоатация

⚠ ПРЕДУПРЕЖДЕНИЕ



Не носете ръкавици или широки дрехи, когато работите с машина за рязане на тръби. Дръжте ръкавите и якетата закопчани. Не се пресягайте през машината. Дрехите могат да бъдат захванати от машината, което води до заплитане.

Дръжте ръцете далеч от въртящите се части като ролки, разширител, режещо колело и тръба. Изчакайте частите да спрат напълно, преди да боравите с инструмента или тръбата. Тази практика ще намали вероятността от заплитане във въртящи се части.

Дръжте ръцете далеч от въртящите се части като ролки, разширител, режещо колело и тръба. Изчакайте частите да спрат напълно, преди да боравите с инструмента или тръбата. Тази практика ще намали вероятността от заплитане във въртящи се части.

Подпрете правилно тръбите. Това ще намали риска от наранявания от удряне и смазване поради преобръщане и падане на тръба и оборудване.

Един човек трябва да контролира работния процес и крачния превключвател. Само операторът трябва да е в работната зона, когато машината работи. Това спомага да се намали риска от нараняване.

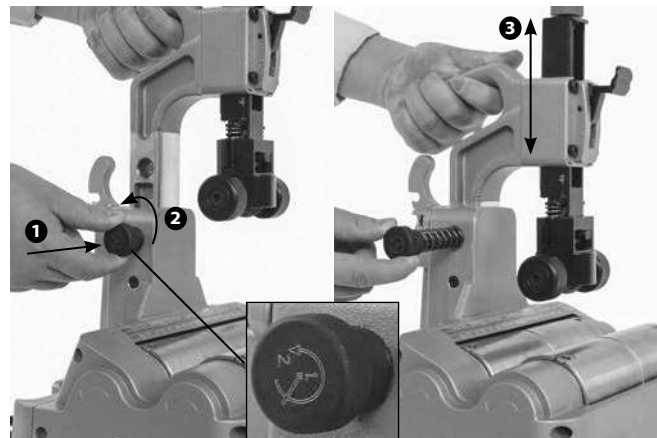
Следвайте инструкциите за експлоатация, за да намалите риска от сериозни наранявания от токов удар, заплитане, нараняване и други причини и да предотвратите повреда на машината.

Уверете се, че машината и работната зона са правилно настроени и че в работната зона няма странични лица и други разсейващи фактори. Операторът трябва да е единственият човек в района, докато машината работи.

Регулиране на тръбореза за различни размери на тръбите

Бърз превключвател за регулиране на размера

Бързото регулиране на размера на превключвателя се осигурява за бързо регулиране между диапазоните на размера на тръбата 2" (50 mm) и по-малки и 2" до 4" (50 mm до 100 mm).



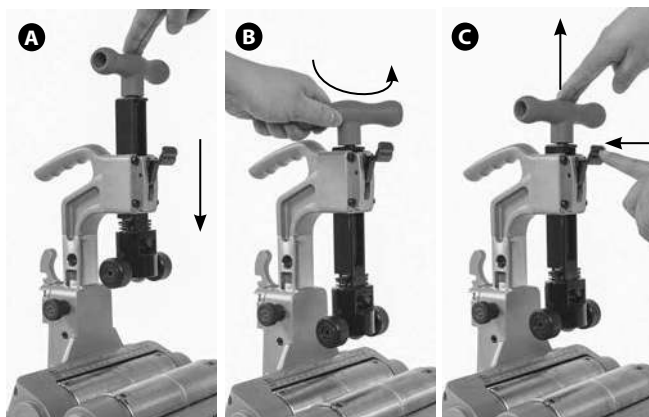
Фигура 6 – Бърз превключвател за регулиране на размера

1. Без тръба в тръбореза, хванете ръкохватката и освободете щифта, като леко натиснете бутона ❶ и завъртане леко в посока, обратна на часовниковата стрелка ❷. Бутонът е пружинно зареден и ще се прибере, контролирайте движението на бутона. *Вижте Фигура 6.*
2. С помощта на ръкохватката преместете главата в желаната позиция ❸.
3. Вкарайте бутона за бързо превключване, за да задържите главата в това положение.

Бързо регулиране на подаването към тръбореза

Това бързо регулиране на подаването към тръбореза се използва за придвижване и прибиране на колелото на тръбореза по време на операцията по рязане.

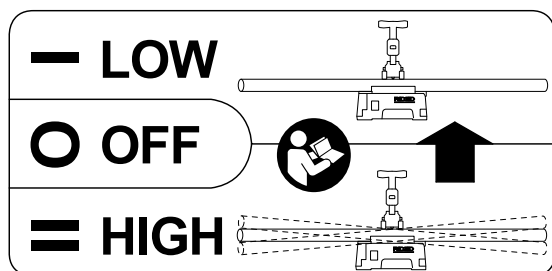
1. За да придвижите колелото на тръбореза, натиснете дръжката надолу (*Фигура 7A*), докато се захване за тръбата.
2. За да приберете колелото на тръбореза, разхлабете дръжката/подаващия винт на 1-2 оборота (*Фигура 7B*) и натиснете освобождаването (*Фигура 7C*), за да му позволите да се прибере (то е пружинно заредено - контролирайте движението на дръжката).



Фигура 7 – Бързо подаване: А-Подаване, В-Разхлабване, С-Изваждане

Избор/промяна на работната скорост

Електрическата машина за рязане на тръби има две работни скорости – LOW (Ниска) и HIGH (Висока), вижте Фигура 8.



Фигура 8 – Етикет за скорости

НИСКА скорост (настройка на превключвателя I-Low). Това намалява риска от вибрации и трептения на тръбата по време на употреба.

Препоръчва се за тръба 2" (50 mm) диаметър и по-малък и по-дълъг от 6.5' (2 m)

ВИСОКА скорост (настройка на превключвателя II-High). Това ще намали времето за рязане.

За тръби с диаметър над 2" (50mm) и всякаква дължина

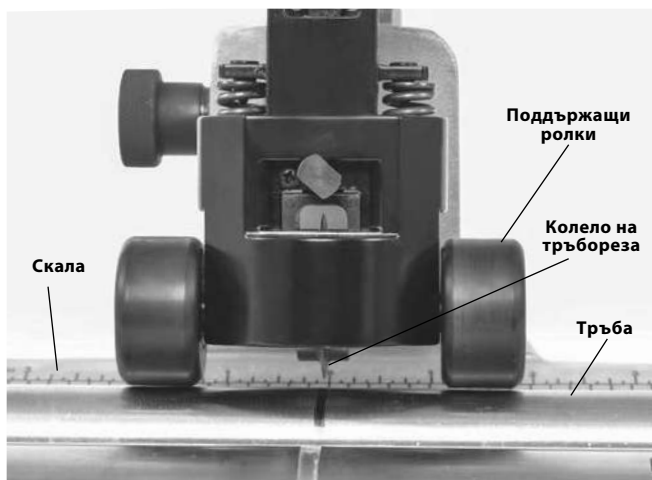
За всякакви тръби с дължина под 6.5' (2m)

Вибрацията и трептенето на тръбата зависят от много фактори, като дължина на тръбата, размер, тегло, праволинейност, подравняване на стойката, скорост на ролката и др. Ако по някое време усетите, че тръбата прекомерно вибрира или трепти, освободете крачния превключвател. Ако сте на скорост II-High (Висока), сменете на I-Low (Ниска) скорост и опитайте отново. Ако сте на I-Low (Ниска) скорост, преминете към друг метод на рязане за това парче, като ръчен нож.

За да смените скоростта, освободете крачния превключвател и изчакайте тръбореза да спре напълно. Преместете превключвателя в желаното положение. Не променяйте работната скорост, докато машината работи.

Рязане на тръба

1. Уверете се, че тръбата не е видимо огъната и не са закрепени фитинги. Рязането на огънати тръби или тръби с фитинги може да доведе до прекомерни вибрации и загуба на контрол. Ако е необходимо, използвайте ръчна фреза. Маркирайте тръбата до желаната дължина. За удобство на машината е предвидена измервателна скала.
2. Ако е необходимо, коригирайте диапазона на размера на тръбите на машината с бързия превключвател за регулиране на размера.
3. Поставете тръбата върху ролките така, че маркировката за рязане да се намира под ножа на нулевата маркировка на скалата. Ако тръбата стърчи извън машината, поставете опори под тръбата. Опорите трябва да се регулират, така че тръбата да ляга точно върху ролките. Това ще помогне да се осигури правилно проследяване на среза. Вижте Фигура 3.
4. Заемете правилно работно положение, за да поддържате контрол над машината и тръбата (вижте фигура 10):
 - Уверете се, че имате удобен достъп до инструментите и превключвателя.
 - Уверете се, че можете да контролирате крачния превключвател. Все още не стъпвайте на крачния превключвател. В случай на спешност трябва да можете да освободите крачния превключвател.
 - Уверете се, че имате добър баланс и не е нужно да се пресягате.
5. Придвигнете системата за бързо подаване, докато поддържащите ролки допрат тръбата (Фигура 9). Подравнете колелото на тръбореза с маркировката на тръбата. Затегнете подаващия винт, за да приведете колелото на тръбореза в контакт с тръбата. След като колелото на тръбореза допре тръбата, придвигнете подаващия винт с още 1 до 1½ оборота, за да захванете тръбата. Не придвигвайте прекалено подаващия винт, това може да направи тръбата овална и да увеличи образуването на мустаци.



Фигура 9 – Поддържащи ролки в контакт с тръбата

6. Преместете превключателя I-Low/O-OFF/II-High в подходящото положение за тръбата, която се реже
7. Натиснете крачния превключател. Ролките и тръбата ще започнат да се въртят. Пазете ръцете от въртящите се части.



Фигура 10 – Рязане на тръби

8. Придвигнете подаващия винт, като бавно и непрекъснато затягате подаващия винт, докато тръбата се отреже. Агресивното рязане може да повреди колелото на тръбореза и да причини прекомерно образуване на мустаци. Поддържайте поддържащите ролки в контакт с тръбата, за да улесните задържането на тръбата на място.

Ако тръбата се навива спираловидно докато се реже, спрете рязането и проверете настройката на маши-

ната, особено подравняването на стойките на тръбите. Различните материали на тръбите може да се нуждаят от леко допълнително затягане на подаващия винт, за да се подобри проследяването.

9. Извадете крака от крачния превключател. След това преместете превключателя I-Low/O-OFF/II-High в положение O-OFF.
10. Когато тръбата спре да се върти, разхлабете подаващия винт на 1-2 оборота и натиснете освобождаването, за да приберете напълно колелото на тръбореза. Извадете тръбата.

Разширител Тръба



Фигура 11 – Инсталиране на разширител

1. Поставете превключателя I-Low/O-OFF/II-High в положение O-OFF.
2. Извадете разширителя от позицията за съхранение и го монтирайте в положение за използване, както е показано на *Фигура 11*. Уверете се, че разширителят е надеждно монтиран.
3. Преместете превключателя I-Low/O-OFF/II-High в положение I-Low.
4. Натиснете крачния превключател. Дръжте ръцете далеч от краищата на тръбите и въртящите се части.
5. Хванете здраво тръбата. Подпрете правилно тръбата, за да запазите контрол.
6. Поставете тръбата върху конуса на разширителя и леко приложете натиск (*Фигура 12*), за да отстраните мустаци от вътрешната страна на края на тръбата. Не насилвайте тръбата в разширителя, това може да накара разширителя да захване тръбата и да я завърти в ръцете ви.



Фигура 12 – Райбероване на тръби

7. Извадете крака от крачния превключвател.
8. Поставете превключвателя I-Low/O-OFF/II-High в положение O-OFF.
9. Извадете разширителя от позиция за използване и го върнете в позиция за съхранение.

Транспортиране

1. Извадете или закрепете цялото незакрепено оборудване и материали от машината преди да задвижване, за да предотвратите падане или преобръщане.
2. Поставете колелото на тръбореза в долно положение.
3. Увийте захранващия кабел и маркуча на крачния превключвател около куката за кабела и го закрепете, както е показано на *Фигура 13*.
4. Повдигнете с ръкохватката. Внимавайте при повдигане и придвижване. Имайте предвид теглото на машината.



Фигура 13 – Навит кабел/маркуч

Съхраняване

⚠ ПРЕДУПРЕЖДЕНИЕ Машината за рязане на тръби трябва да се поддържа сухо и на закрито или добре покрито, ако се държи на открито. Съхранявайте машината в заключена зона, недостъпна за деца и хора, непознати с машината за рязане на тръби. Тази машина може да причини сериозни наранявания в ръцете на необучени потребители.

Инструкции за поддръжка

⚠ ПРЕДУПРЕЖДЕНИЕ

Уверете се, че превключвателят е в положение O-OFF и машината е изключена от контакта, преди да извършите каквато и да е поддръжка или каквито и да било настройки.

Поддържайте машината в съответствие с тези процедури, за да намалите риска от нараняване от токов удар, заплитане и други причини.

Почистване

Почиствайте внимателно машината след всяка употреба с чиста суха кърпа. Поддържайте ролките чисти и без замърсявания и остатъци.

Поддържайте разширителя чист и без отломки за максимална ефективност.

Почистете праха и остатъците от вентилационните отвори на двигателя.

Смазване

Ежемесечно (или по-често, ако е необходимо) смазвайте всички открити движещи се части на електрическата машина за рязане на тръби и стойката PC116TS (като подаващ винт, система за бързо подаване, ролки и точки на въртене) с леко смазочно масло. Избършете излишното масло от откритите повърхности.

Смяна на колело на тръбореза

Вижте *Спецификации* за правилния избор на колело. Сменяйте колелото на тръбореза, когато режете различни материали, сменете колелото на тръбореза, когато режещият ръб стане назъбен или плосък. На уреда може да се съхранява допълнително колело. Вижте *Фигура 13*.

1. Извадете свързващия щифт. Държачът на колелото ще падне свободно (*Фигура 14*).



Фигура 14 – Демонтиране на държач на колело

2. Демонтирайте щифта на колелото и колелото на тръбореза/лагера (*Фигура 15*).
3. Проверете лагера. Лагерът трябва да се движи свободно. Сменете, ако е необходимо.
4. Изпълнете процеса в обратен ред за монтиране на колело на тръбореза.



Фигура 15 – Смяна на колело на тръбореза

Защита от свръхток на двигателя

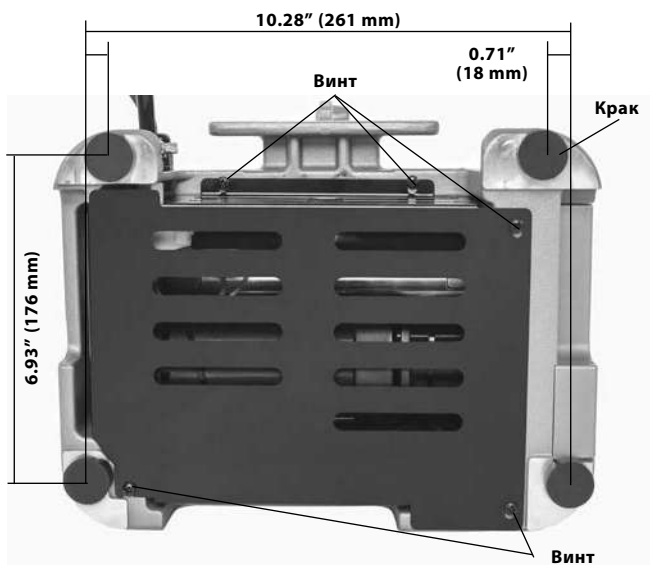
Машината е снабдена със защита от свръхток, която изключва машината, за да защити двигателя, ако изтече прекомерен ток.

Ако машината се изключи неочаквано, освободете крачния превключвател. Преместете превключвателя в положение О-ИЗКЛ и изключете машината от контакта. Извадете всички тръби от машината. Следвайте разделите "Проверка преди експлоатация" и "Настройка на машината и работната зона", за да се уверите, че машината работи правилно.

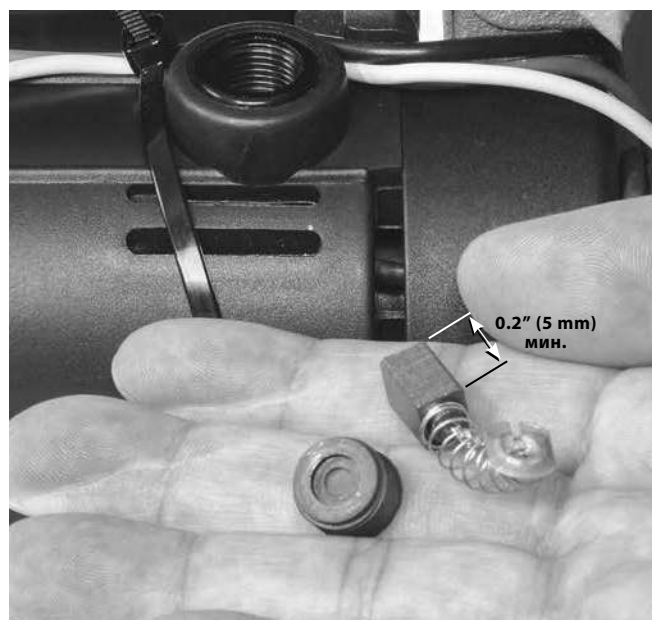
Смяна на четки на двигателя

Проверявайте четките на двигателя на всеки шест месеца, четките трябва да се сменят, ако дължината им е по-малка от 5 mm (0.2").

1. Уверете се, че превключвателят е в положение О-OFF и машината е изключена от контакта.
2. Разхлабете петте винта, които държат долния капак (*Фигура 16*) и свалете капака (Някои винтове се държат към капака).
3. Използвайте отвертка, за да развиете и премахнете капачките на четките (*Фигура 17*). Внимателно махнете карбоновите четки и проверете дължината (*Фигура 18*). Ако дължината на четката е по-малка от 5 mm (0.2"), сменете четките.
4. Поставете четката в държача на четката, като правилно подравните езичетата на четката с релефите в държача на четката.
5. Затегнете здраво капачките на четките. Поставете отново долния капак.
6. След като машината бъде сглобена отново, пуснете машината на скорост II-High в продължение на пет минути, без тръба в машината, която да чупят четките.

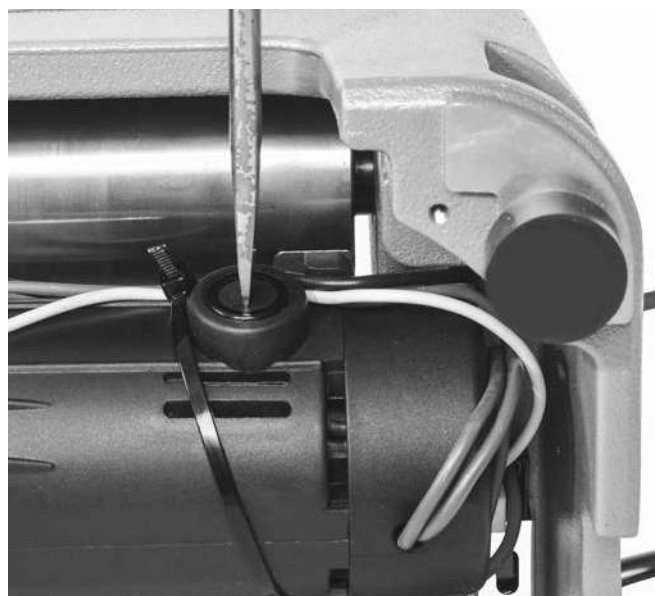


Фигура 16 – Винтове на долния капак



Фигура 18 – Проверка на дължина на четки

Сканирайте QR кода по-долу, за да получите достъп до литературата и видеото за PC116/PTC-400.



Фигура 17 – Демонтиране на капачки на четки

Отстраняване на проблеми

ПРОБЛЕМ	ВЪЗМОЖНИ ПРИЧИНИ	РЕШЕНИЕ
Прекомерни вибрации по време на работа.	Неправилна работна скорост.	Вижте <i>Избор на работната скорост</i> .
	Рязане на огъната тръба.	Не режете видимо огъната тръба. Използвайте ръчна фреза.
	Дългата тръба не се поддържа правилно.	Поддържайте дълга тръба със стойки за тръби.
	Машината не е монтирана правилно.	Правилно монтирайте машината на равна повърхност, закрепете болта с монтажните болтове.
Машината не реже тръби правилно.	Износено колело на тръбореза.	Сменете износеното колело на тръбореза.
	Използвайте при неправилен размер или материал на тръбата.	Използвайте за правилния тип тръба (вижте <i>Спецификации</i>).
Машината гасне по време на рязане.	Агресивно подаване на колелото по време на рязане.	Внимателно подавайте колелото на тръбореза.
Машината не работи.	Четките на двигателя са износени.	Инсталирайте нови четки на двигателя.
	Активирана защита от свръхток.	<i>Следвайте инструкциите за свръхток на двигателя в Инструкции за поддръжка.</i>
Прекомерно образуване на мустаци по тръбата или деформация в края.	Износено или повредено колело на тръбореза.	Сменете колелото на тръбореза.
	Агресивно подаване на колелото по време на рязане.	Внимателно подавайте колелото на тръбореза.
Машината спира, докато крачният превключвател е натиснат. Рестартиране, когато крачният превключвател се натисне отново.	Отвор в крачния превключвател/маркуч.	Сменете крачния превключвател.
	Утечка на пневматичния превключвател.	Ако не е открит проблем с крачния превключвател/маркуч, сменете пневматичния превключвател.

Сервиз и ремонт

⚠ ПРЕДУПРЕЖДЕНИЕ

Неправилното обслужване или ремонт може да направи машината опасна за работа.

Раздел *Инструкции за поддръжка* разглежда се погрижат за повечето нужди от обслужване на тази машина. Всички проблеми, които не са разгледани в този раздел, трябва да се решават само от независим сервизен център на RIDGID. Използвайте само RIDGID сервизни части.

За информация относно най-близкия RIDGID независим сервизен център или въпроси за сервиз или ремонт *вижте раздела за информация за контакт* в това ръководство.

Опционално оборудване

⚠ ПРЕДУПРЕЖДЕНИЕ

За да намалите риска от сериозни наранявания, използвайте само аксесоари, специално проектирани и препоръчани за използване с PC116/PTC-400 Електрическа машина за рязане на тръби, като посочените.

Каталожен №	Описание
64903	PC116TS Стойка за тръба за използване с PC116/PTC-400
66253	PC116 220-240V Въглеродна четка за двигател
66248	PC116 100-120V Въглеродна четка за двигател
56662	VJ-99 28" - 52" V-Head Висока стойка за тръби
64908	1375 Разширител за PC116/PTC-400
66938	E850 Колело на тръборез (за метална тръба)
66943	E855 Колело на тръборез (за пластмасова тръба)
64898	Лагер на колело на тръборез

За пълен списък на оборудването RIDGID, налично за тези инструменти, вижте онлайн каталога за инструменти Ridge на RIDGID.com или *вижте информацията за контакт*.

Бракуване

Части от тези инструменти съдържат ценни материали и могат да бъдат рециклирани. Има фирми, специализирани в рециклирането, които могат да бъдат намерени на местно ниво. Изхвърляйте компонентите в съответствие с всички приложими разпоредби. За повече информация се свържете с местните органи за управление на отпадъците.



За страни от ЕС: Не изхвърляйте електрическото оборудване с битови отпадъци!

Съгласно Европейските насоки 2012/19 ЕС за отпадъци от електрическо и електронно оборудване и прилагането им в националното законодателство, електрическото оборудване, което вече не е използваемо,

трябва да се събира отделно и да се изхвърля по екологичен начин.

Құбыркескіш

PC116/PTC-400 электр құбыркескіші



⚠ ЕСКЕРТУ!

Осы құралды пайдаланбас бұрын Оператордың нұсқаулығын мұқият оқып шығыңыз. Осы нұсқаулықты дұрыс түсінбеу және қадағаламау электр тогының соғуына, өртке және/немесе ауыр жарақатқа әкелуі мүмкін.

PC116/PTC-400 электр құбыркескіші

Төмендегі сериялық нөмірді жазып алыңыз және атау тақтасында орналасқан өнімнің сериялық нөмірін сақтап қойыңыз.

Сериялық
нөмірі.

Мазмұны

Құрылғының сериялық нөмірін жазу үлгісі.....	379
Қауіпсіздік нышандары.....	381
Жалпы электр құралының қауіпсіздік ескертулері	381
Жұмыс аумағының қауіпсіздігі.....	381
Электр қауіпсіздігі.....	381
Жеке қауіпсіздік.....	382
Электр құралын пайдалану және оған күтім көрсету.....	382
Қызмет көрсету.....	383
Арнайы қауіпсіздік ақпараты	383
RIDGID байланыс ақпараты	383
Сипаттама	383
Техникалық сипаттар	384
Стандартты жабдық.....	385
Құру	385
Үстелді бекіту.....	385
Жұмыс алдында тексеру	385
Құрылғыны және жұмыс аумағын орнату	386
PC116TS тұғыры/Петтеу.....	386
Пайдалану нұсқаулары	387
Кескішті түрлі құбыр өлшемдеріне келтіру.....	388
Жұмыс жылдамдығын таңдау/ауыстыру.....	388
Құбырды кесу.....	389
Құбырды үңгу.....	390
Тасымалдау.....	390
Сақтау	391
Техникалық қызмет көрсету нұсқаулары	391
Тазалау.....	391
Майлау.....	391
Кескіш дөңгелегін ауыстыру.....	391
Қозғалтқыштың артық токтан қорғауы.....	392
Қозғалтқыш қылшақтарын ауыстыру.....	392
Ақаулықтарды жою.....	394
Қызмет көрсету және жөндеу.....	394
Қосымша жабдық	395
Тастау	395
ЕО сәйкестік мәлімдемесі	Ішкі артқы мұқабасы
Пайдалану мерзіміне берілетін кепілдік	Артқы мұқаба

* Түпнұсқа нұсқаулардың аудармасы

Қауіпсіздік нышандары

Бұл пайдалану нұсқаулығындағы және өнімдегі қауіпсіздік нышандары және белгі сөздер маңызды қауіпсіздік ақпаратын жеткізу үшін пайдаланылады. Бұл бөлім осы белгі сөздер мен нышандарды жете түсіну үшін берілген.



Бұл қауіпсіздік ескертуі нышаны болып табылады. Бұл сізге ықтимал дене жарақаты қауіптері жөнінде ескерту жасау үшін пайдаланылады. Ықтимал жарақаттың немесе өлімнің алдын алу үшін осы нышанда берілген барлық қауіпсіздік шараларын сақтаңыз.

⚠ ҚАУІП ҚАУІП алдын алмаған жағдайда өлімге немесе ауыр жарақатқа әкелетін қауіпті жағдайды білдіреді.

⚠ ЕСКЕРТУ ЕСКЕРТУ алдын алмаған жағдайда өлімге немесе ауыр жарақатқа әкелуі мүмкін қауіпті жағдайды білдіреді.

⚠ НАЗАР АУДАРЫҢЫЗ НАЗАР АУДАРЫҢЫЗ алдын алмаған жағдайда кішігірім немесе орташа жарақатқа әкелуі мүмкін қауіпті жағдайды білдіреді.

⚠ ЕСКЕРТПЕ ЕСКЕРТПЕ мүлікті қорғауға қатысты ақпаратты білдіреді.



Бұл нышан жабдықты пайдаланбас бұрын пайдалану нұсқаулығын мұқият оқып шығуды білдіреді. Пайдалану нұсқаулығында жабдықты қауіпсіз және тиісті түрде пайдалану туралы маңызды ақпарат бар.



Бұл таңба көздің жарақаттану қаупін азайту үшін осы жабдықты пайдаланғанда, үнемі бүйір қалқалары бар көзәйнекті не көзілдірікті кию керектігін білдіреді.



Бұл таңба электр тогының соғу қаупін көрсетеді.



Бұл таңба шығыршықтарға немесе басқа қозғалмалы бөлшектерге қолыңыздың, саусағыңыздың немесе басқа дене бөліктерінің ілінуі не шатысуы қаупін білдіреді.



Бұл нышан қолдардың, саусақтардың немесе өзге дене бөлігінің айналатын немесе жылжитын бөліктермен кесілу қаупін білдіреді.



Бұл нышан құрылғының аударылып, соққы немесе езу нәтижесінде жарақатқа әкелу қаупін білдіреді.



Бұл нышан шатысу қаупін азайту үшін осы құрылғыны пайдаланған кезде қолғап кимеу керектігін білдіреді.

Жалпы электр құралының қауіпсіздік ескертулері*

⚠ ЕСКЕРТУ

Бұл электр құралымен берілген барлық қауіпсіздік ескертулерін, нұсқауларын, суреттерін және сипаттамаларын оқыңыз. Төменде көрсетілген барлық нұсқауларды орындамау электр тогының соғуына, өртке және/немесе ауыр жарақатқа әкелуі мүмкін.

КЕЙІНГІ АНЫҚТАМАЛЫҚ РЕТІНДЕ БАРЛЫҚ ЕСКЕРТУЛЕР МЕН НҰСҚАУЛАРДЫ САҚТАП ҚОЙЫҢЫЗ!

Ескертудегі "электр құралы" термині желілік (сымды) электр құралын немесе батареямен жұмыс істейтін (сымсыз) электр құралын білдіреді.

Жұмыс аумағының қауіпсіздігі

- Жұмыс аумағын таза, әрі жарық ұстаңыз. Ыбырсытылған немесе қараңғы орындар жазатайым оқиғаларға әкеледі.
- Электр құралдарын жанғыш сұйықтықтар, газдар немесе шаң бар жарылғыш орталарда пайдаланбаңыз. Электр құралдары шаң не түтінді тұтандыруы мүмкін ұшқындарды түзейді.

- Электр құралын іске қосқан кезде балалар мен жаныңыздағы адамдарды жақындатпаңыз. Назарыңызды бөлу басқаруды жоғалтуыңызға әкелуі мүмкін.

Электр қауіпсіздігі

- Электр құралының ашалары розеткаға сәйкес келуі керек. Ашаны қандай да бір жолмен түрлендірмеңіз. Адаптер ашаларын жерге қосылған электр құралдарымен пайдаланбаңыз. Түрлендірілмеген ашалар және сәйкес келетін розеткалар электр тогының соғу қаупін азайтады.
- Жерге қосылған не тұйықталған беттерді, мысалы, құбырларды, радиаторларды, тізбектерді және тоңазытқыштарды ұстамаңыз. Денеңіз жерге тиіп тұрса, электр тогының соғу қаупі артады.
- Электр құралдарын жаңбыр немес ылғал жағдайлар әсерінде қалдырмаңыз. Электр құралына судың енуі электр тогының соғу қаупін арттырады.
- Сымды теріс жолмен пайдаланбаңыз. Сымды электр құралын тасу, тарту немесе желіден ажырату үшін мүлдем пайдаланбаңыз. Сымды қызудан, майдан, өткір жиектерден немесе қозғалатын бөлшектерден алшақ ұстаңыз. Зақымданған немесе шатысқан сымдар электр тогының соғу қаупін арттырады.

* Осы нұсқаулықтың Жалпы электр құралы қауіпсіздігінің ескертулері бөліміндегі мәтін талапқа сәйкес қолданыстағы UL/CSA/EN 62841-1 стандартынан дәлме-дәл алынған. Бұл бөлімде электр құралдарының көптеген түрлеріне арналған жалпы қауіпсіздік әдістері бар. Әрбір сақтық шара әр құралға қолданыла бермейді және кейбіреуі осы құралға қолданылмайды.

- **Электр құралын сыртта іске қосқан кезде сыртта пайдалануға жарамды ұзартқыш сымды пайдаланыңыз.** Сыртта пайдалануға арналған сымды пайдалану электр тогының соғу қаупін азайтады.
- **Электр құралын дымқыл орында пайдалануға тура келсе, жерге қысқа тұйықталу ажыратқышымен (GFCI) қорғалған қуат көзін пайдаланыңыз.** GFCI пайдалану электр тогының соғу қаупін азайтады.

Жеке қауіпсіздік

- **Сақ болыңыз, не істеп жатқаныңызды бақылаңыз және электр құралын пайдаланған кезде саналы түрде әрекет етіңіз.** Шаршаған кезде немесе есірткі, алкоголь немесе дәрі әсерінде болғанда электр құралын пайдаланбаңыз. Электр құралдарын пайдалану кезінде зейіннің бір сәт аууы ауыр дене жарақатына әкелуі мүмкін.
- **Жеке қорғаныш жабдығын пайдаланыңыз.** Үнемі көзді қорғау құралын киіп жүріңіз. Шаңға қарсы респиратор, таймайтын қорғаныш аяқ киімі, дулыға немесе құлақ тығыны сияқты белгілі бір жағдайларда пайдаланылатын қорғаныш жабдығы дене жарақаттарын азайтады.
- **Еріксіз іске қосылудың алдын алыңыз.** Қуат көзіне және/немесе батареяға қоспас бұрын, құрылғыны көтеру немесе тасымалдау алдында қосқыштың ӨШІРУ күйінде екеніне көз жеткізіңіз. Электр құралдарын саусақты қосқыштың үстіне қойып тасымалдау немесе қосқышы ҚОСУЛЫ электр құралдарына қуат беру оқыс жағдайларға әкеледі.
- **Электр құралын ҚОСУ алдында реттегіш кілтті алып тастаңыз.** Электр құралының айналмалы бөлігіне бекітулі қалған бұранда немесе кілт дене жарақатына әкелуі мүмкін.
- **Созылып қол жеткізу әрекетін орындамаңыз.** Дұрыс адымдаңыз және үнемі тепе-теңдікті сақтаңыз. Бұл күтпеген жағдайларда электр құралының басқаруын жақсартуға мүмкіндік береді.
- **Тиісті түрде киініңіз.** Бос киім кимеңіз немесе әшекей тақпаңыз. Шашыңызды және киіміңізді қозғалмалы бөлшектерден алшақ ұстаңыз. Бос киім, әшекей немесе ұзын шаш қозғалмалы бөлшектерге ілініп қалуы мүмкін.
- **Егер шаң сору және жинау нысандарын жалғау құрылғылары берілген болса, олардың қосылғанына және тиісті түрде пайдаланылатынына көз жеткізіңіз.** Шаңжинағышты пайдалану шаңға қатысты қауіптіліктерді азайтуға мүмкіндік береді.
- **Құралдарды жиі пайдаланудан олармен таныс болуыңыз сақтығыңызды жоғалтып, құрал қауіпсіздігінің қағидаларының еленбеуіне жол**

бермеңіз. Абайсыз әрекет әп-сәтте ауыр жарақатқа себеп болуы мүмкін.

Электр құралын пайдалану және оған күтім көрсету

- **Электр құралына күш түсірмеңіз. Қолдану үшін тиісті электр жабдығын пайдаланыңыз.** Тиісті электр құралы жұмысты дұрыс және өзіне арналған жылдамдықта қауіпсіз орындайды.
- **Егер қосқыш оны ҚОСПАСА және ӨШІРМЕСЕ, электр құралын пайдаланбаңыз.** Қосқышпен басқарылмайтын кез келген электр құралы қауіпті және оны жөндеу керек.
- **Реттеулер орындау, қосалқы құралдарды ауыстыру немесе электр құралдарын сақтау алдында ашаны қуат көзінен және/немесе батарея жинағын электр құралынан ажыратыңыз.** Мұндай алдын алу қауіпсіздік шаралары электр құралының байқаусызда іске қосылу қаупін азайтады.
- **Пайдаланылмайтын электр құралдарын балалардың қолы жетпейтін жерде сақтаңыз және электр құралымен немесе құралды пайдалану нұсқауларымен таныс емес адамдарға онымен жұмыс істеуге рұқсат етпеңіз.** Электр құралдары оқудан өтпеген пайдаланушылар қолында қауіпті болады.
- **Электр құралдарына қызмет көрсетіңіз.** Қозғалмалы бөлшектердің тура келмеушіліктерін немесе қысылып қалуын, бөлшектердің сынуын және электр құралының жұмысына әсер етуі мүмкін басқа жағдайларды тексеріңіз. Егер зақымданса, электр құралын пайдаланбас бұрын жөндеңіз. Көптеген оқыс оқиғалар дұрыс қызмет көрсетілмеген электр құралдарына байланысты орын алады.
- **Кескіш құралдарды өткір, әрі таза күйінде ұстаңыз.** Өткір жиектері бар тиісті түрде қызмет көрсетілетін кескіш құралдар әдетте жабыспайды және оларды басқару оңай.
- **Электр құралын, керек-жарақтарды және құрал қашауларын жұмыс жағдайлары мен орындалатын жұмысты ескере отырып, осы нұсқауларға сәйкес пайдаланыңыз.** Электр құралын өзге мақсаттарда пайдалану қауіпті жағдайдың орын алуына әкелуі мүмкін.
- **Тұтқаларды және ұстау беттерін құрғақ және таза күйде, майдан және жақпа майдан таза ұстаңыз.** Сырғанақ тұтқалар мен ұстау беттері қауіпсіз қолдануға және күтпеген жағдайларда құралды басқаруға мүмкіндік бермейді.

Қызмет көрсету

- Электр құралына білікті жөндеу маманының тек бірдей қосалқы бөлшектерімен қызмет көрсетуін қадағалаңыз. Бұл электр құралы қауіпсіздігінің сақталуын қамтамасыз етеді.

Арнайы қауіпсіздік ақпараты

⚠ ЕСКЕРТУ

Бұл бөлімде осы құралға қатысты маңызды қауіпсіздік ақпараты бар.

PC116/PTC-400 электр құбыррескішін пайдаланбас бұрын электр тогының соғу қаупін немесе басқа ауыр дене жарақаты қаупін азайту үшін осы сақтық шараларды мұқият оқыңыз.

КЕЙІНГІ АНЫҚТАМАЛЫҚ РЕТІНДЕ БАРЛЫҚ ЕСКЕРТУЛЕР МЕН НҰСҚАУЛАРДЫ САҚТАП ҚОЙЫҢЫЗ!

Бұл нұсқаулықты пайдаланушының пайдалануы үшін құрылғымен бірге ұстаңыз.

- Электр құбыррескішін пайдаланған кезде қолғап немесе бос киім кимеңіз. Жеңдер мен күртелерді тағулы сақтаңыз. Құрылғыға қолыңызды созбаңыз. Киімді құрылғы тартып, нәтижесінде оралып қалуы мүмкін.
- Қолдарыңызды шығыршықтар, үңгіш, кесу дөңгелегі және құбыр секілді айналатын бөліктерге тигізбеңіз. Құралды не құбырды қолдану алдында бөліктердің әбден тоқтауына мүмкіндік беріңіз. Бұл әдіс айналатын бөлшектердің шатысу ықтималдығын азайтады.
- Құрылғыны орнықты үстелге немесе тұғырға бекітіңіз. Құбырларды дұрыстап тіреңіз. Бұл құбыр мен жабдықтың аударылуы мен құлауынан орын алатын соғу және езу нәтижесіндегі жарақат алу қаупін азайтады.
- Бүгілгені байқалатын немесе фитингер тіркелген құбырды кеспеңіз. Артық діріл және құрылғы мен/немесе құбыр басқаруын жоғалту ықтималдығын азайтады.
- Үнемі тиісті қорғаныш көзілдірікті және тиісті жеке қорғаныш киімін киіңіз. Кесу құралдары сынуы не бөлшектенуі мүмкін. Бұл жарақат алу қаупін азайтады.
- Бір адам жұмыс үдерісін және аяқ қосқышын басқаруы керек. Құрылғы іске қосылған кезде жұмыс аумағында тек пайдаланушы болуы қажет. Бұл жарақат қаупін азайтуға көмектеседі.
- Ауыр дене жарақаты қаупін азайту үшін осы құралды пайдалану алдында осы нұсқауларды және пайдаланылатын барлық жабдық пен материалдардың

нұсқаулары мен ескертулерін оқып шығыңыз және түсініңіз.

RIDGID байланыс ақпараты

Егер осы RIDGID® өніміне қатысты қандай да бір сұрағыңыз болса:

- Жергілікті RIDGID® дистрибьюторына хабарласыңыз.
- Жергілікті RIDGID байланыс орнын табу үшін RIDGID.com торабына кіріңіз.
- Ridge Tool Техникалық қызмет бөліміне rttechservices@emerson.com торабында хабарласыңыз немесе АҚШ және Канада аумағында (800) 519-3456 нөміріне қоңырау шалыңыз.

Сипаттама

RIDGID® PC116/PTC-400 электр құбыррескіші номиналдық өлшемі ½-4 дюйм (12-100 мм) металды және пластик құбырларды/желілерді кесуге арналған.

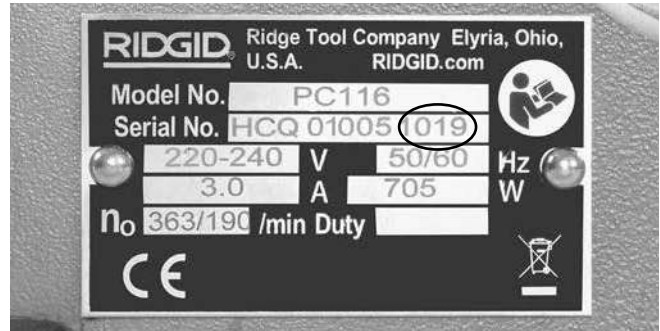
Екі жылдамдықты қосқыш шығыршық жылдамдығын басқарады және пневматикалық аяқ қосқышы қозғалтқыштың ҚОСУ/ӨШІРУ басқаруын қамтамасыз етеді. Шкала құбырды өлшеу үшін қосылған. Электр құбыррескішінің салмағы жеңіл және шағын болуына байланысты оңай тасымалданады.

Қосымша үңгіш 2 дюймге (50 мм) дейінгі құбырлар ішіндегі қылауларды кетіреді.

Құбыррескіш құбырмен пайдалануға арналмаған.



1-сурет — RIDGID® PC116/PTC-400 электр құбыркескіші



2-сурет – Құрылғының сериялық нөмірі

Құрылғының сериялық нөмірі кескіштің бүйірінде орналасқан. Соңғы 4 сан өндірілген айы мен жылын білдіреді. (10 = ай, 19 = жыл).

Техникалық сипаттар

Номиналдық құбыр өлшемі Кесу қуаттылығы½-4 дюйм (12-100 мм)
Нақты кесу қуаттылығы½-4.5 дюйм (12-116 мм)

Құбыр/Желі материалы*	Максималды қабырға қалыңдығы	Кескіш дөңгелегі	
		E-850	E-855
		Санат № 66938	Санат № 66943
Көміртекті болат	0.1 дюйм (2,5 мм)	X	
Тот баспайтын болат	0.1 дюйм (2,5 мм)	X	
Алюминий	0.1 дюйм (2,5 мм)	X	
Мыс	0.1 дюйм (2,5 мм)		X
Пластик	0.23 дюйм (6 мм)		X

* Тек жалпы нұсқаулық. Материал құрамы, қаттылығы және басқа факторлар кесу мүмкіндігіне, дөңгелек жарамдылығына, қылаудың түзілуіне және т.б. әсер етеді.

Номиналдық ұңғу қуаттылығы½-2 дюйм (12-50 мм)
(қосымша керек-жарақ)

Максималды құбыр ұзындығы20 фут (6 м)

Қозғалтқыш

Түрі	Әмбебап	
Кернеу	100-120 В	220-240 В
Ток	5,8 А	3,0 А
Жиілік.....	50/60 Гц	50/60 Гц
Қуат	705 Вт	705 Вт

Құрылғыға қатысты ақпарат бойынша өнімнің сериялық нөмір тақтасын қараңыз.

Шығыршықтың айналу жылдамдығы.....190/363 айн/мин, 220-240 В;
225/385 айн/мин, 100-120 В

Басқару тетіктері.....	I-ТӨМЕН/О-ӨШІРУ/II-ЖОҒАРЫ қосқышы және ҚОСУ/ӨШІРУ аяқ қосқышы
Салмағы.....	32 фунт (14,5 кг)
Жалпы өлшемдері	
Ұ x Е x Б.....	11,6 дюйм x 9,4 дюйм x 15,9 дюйм (295 мм x 239 мм x 403 мм)
Жұмыс температурасы	-4°F-122°F (-20°C-50°C)
Дыбыс қысымы (L _{РА})*	82,3 дБ (А), К=3
Дыбыс қуаты (L _{WA})*	93,3 дБ (А), К=3

* Дыбыс өлшемдері EN 62481-1 стандартына сәйкес келетін стандартталған сынаққа сәйкес өлшенеді.

- Шығатын дыбыс орналасқан жеріңізге және осы құралдардың белгілі бір пайдалануына қарай әр түрлі болуы мүмкін.

- Дыбыстың күнделікті әсер деңгейлері әрбір қолдану түріне бағалануы және қажет болғанда тиісті қауіпсіздік шаралары қолға алынуы тиіс. Әсер деңгейлерін анықтаған кезде құрал ӨШІРІЛІП, пайдаланылмайтын уақыт ескерілуі қажет. Бұл жалпы жұмыс кезеңінде әсер деңгейін едәуір азайтуы мүмкін.

Стандартты жабдық

Белгілі бір құрылғы каталогының нөмірлерімен жабдықталған жабдық туралы деректерді RIDGID каталогынан қараңыз.

ЕСКЕРТПЕ Тиісті материалдарды таңдау және орнату, біріктіру және түзу әдістері жүйе жасақтаушысының және/немесе орнатушысының жауапкершілігіне жатады. Жарамсыз материалдарды және әдістерді таңдау жүйенің істен шығуына әкелуі мүмкін.

Тот баспайтын болат және басқа коррозияға төзімді материалдар орнату, біріктіру және түзу кезінде ластануы мүмкін. Бұл ластану коррозияны және мезгілінен бұрын бұзылуға әкелуі мүмкін. Химиялық зат пен температураны қоса белгілі бір қызмет көрсету жағдайларына материалдар мен әдістердің жігі бағалануы кез келген орнату әрекеті алдында орындалуы қажет.

Тот баспайтын болаттың темірмен ластану ықтималдығын азайту үшін шығыршықтардың таза және қоқыссыз екеніне көз жеткізіңіз. Тот баспайтын қылшақпен барынша тазалаңыз. Тот баспайтын болат материалымен пайдалану алдында кескіш дөңгелегін және үңгішті ауыстырыңыз. Тот баспайтын болатқа бөлек кескіш арнаған жөн.

Құру

⚠ ЕСКЕРТУ

Пайдалану кезінде ауыр жарақат қаупін азайту үшін осы тиісті жинақтау рәсімдерін орындаңыз. Құру алдында қосқыш ӨШІРУ күйінде болуы қажет және құрылғы ажыратулы болуы керек.

Үстелді бекіту

Құрылғыны тегіс, орнықты үстелге орнатуға болады. Құрылғыны үстелге бекіту үшін құрылғы негізінің төрт бұрышындағы резеңке аяқ бұрандасын шешіңіз (16-суретті қараңыз) және құрылғыны үстелге ұстату үшін M8 бұрандамаларын пайдаланыңыз. Барынша қатайтыңыз.

Жұмыс алдында тексеру

⚠ ЕСКЕРТУ



Әрбір пайдалану алдында Электр құбыркескішін тексеріңіз және электр тогының соғу, оралып қалу, езу және өзге себептерге байланысты ауыр жарақат қаупін азайту және құрылғы зақымдалуының алдын алу үшін ақаулықтарды түзетіңіз.

1. Электр құбыркескішінің ажыратылғанына көз жеткізіңіз.
 2. Тұтқаларын және басқару тетіктерін қоса құрылғыны және жабдықты тазалаңыз. Бұл тексеруге көмектеседі және құрылғының немесе басқару тетігінің қысқыштан сырғып кетуіне жол бермейді. Құрылғыны қызмет көрсету нұсқауларына сәйкес тазалаңыз және оған қызмет көрсетіңіз.
 3. Электр құбыркескішінде мыналарды тексеріңіз:
 - Сым мен ашада зақымның немесе түрлендірудің бар-жоғын тексеріңіз.
 - Тиісті түрде жинақтау, қызмет көрсету және толықтығы.
 - Кез келген сынық, тозған, жоқ, шатасқан немесе байланысқан бөлшектер немесе басқа зақым.
 - Аяқ қосқышының болуы және пайдаланылуы. Аяқ қосқышының тіркелгенін, тиісті күйде екенін, бірқалыпты айналатынын және жабысып қалмайтынын растаңыз.
 - Беру бұрандасының, кескіш дөңгелегінің және тіреуіш шығыршықтарының еркін қозғалуы.
 - Ескерту және басқа белгілерінің бар болуы және оқылуды (1-суретті қараңыз).
 - Кескіш дөңгелегінің және үңгіштің кесу жиектерін тозу, майысу, кесектерінің болуы немесе басқа мәселелер бойынша тексеріңіз. Өтпейтін, зақымдалған не бос кескіштер құралды зақымдауы, кесу сапасын төмендетуі және жарақат алу қаупін арттыруы мүмкін.
 - Егер PC116TS тұғырлары пайдаланылса, тазалаңыз, тексеріңіз және қажетінше майлаңыз.
 - Қауіпсіз және қалыпты жұмыс істеуіне жол бермеуі мүмкін кез келген жағдай.
- Егер ақаулықтар табылса, ақаулықтар түзетілгенше құралды пайдаланбаңыз.
4. Дұрыс жұмыс істейтініне көз жеткізу үшін басқа кез келген пайдаланылатын жабдықты тексеріңіз және оған өз нұсқауларына сәйкес қызмет көрсетіңіз.

Құрылғыны және жұмыс аумағын орнату

⚠ ЕСКЕРТУ

Электр тогының соғуынан, шатысудан, езілуден және басқа себептерге байланысты



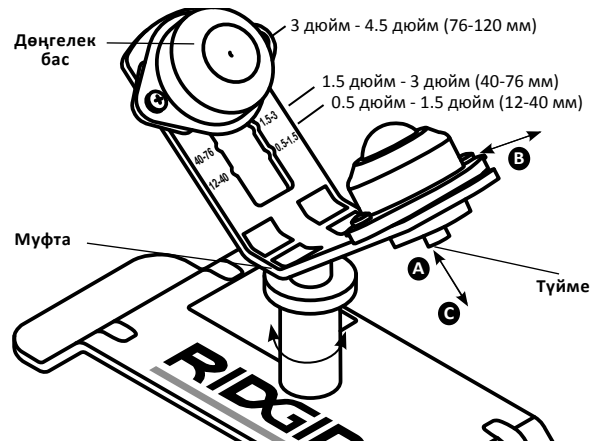
ауыр жарақат алу қаупін азайту және құрылғы зақымын болдырмау үшін Электр құбыркескішін және жұмыс аумағын осы рәсімдерге сәйкес орнатыңыз.

- Жұмыс аумағында мыналарды тексеріңіз:
 - Тиісті жарық мөлшері.
 - Жанғыш сұйықтықтардың, булардың немесе тұтануы мүмкін шаңның болуы. Бар болған жағдайда көздері анықталып, түзетілмейінше, аумақта жұмыс істеңіз. Кескіш жарылысқа төзімді емес және ұшқындар шығаруы мүмкін.
 - Барлық жабдық және пайдаланушы үшін ашық, тегіс, орнықты, құрғақ орын.
 - Тиісті кернеудің жерге дұрыс тұйықталған электр розеткасы. Құрылғының сериялық нөмір тақтасында қажетті кернеуді тексеріңіз. Үш ұш немесе GFCI розеткасы жерге дұрыс қосылмаған болуы мүмкін. Күмәніңіз болса, розетканы рұқсаты бар электр маманына тексертіңіз.
- Орындалатын жұмысты тексеріңіз. Құбыр материалын, түрін және өлшемін анықтап алыңыз. Жұмысқа жарамды жабдықты анықтаңыз. *Техникалық сипаттар бөлімін қараңыз.*
- Пайдаланылатын барлық жабдық дұрыс тексеріліп құрылғанын растаңыз.
- Құрылғыны жазық, тегіс және орнықты бетке орналастырыңыз. Құру бөліміндегі «Үстелді бекіту» тармағын қараңыз. Құрылғының орнықты және бекітулі екенін растаңыз.
- Егер құбыр құрылғыдан 6 дюймнен (15 см) артық созылса, құбырды тіреу үшін бір немесе бірнеше тиісті тұғырды пайдаланыңыз. Тұғырларды шығыршықтармен бір деңгейде орналастырыңыз. Ұзындау құбырға бірден көп тұғыр қажет болуы мүмкін. Тек осы мақсатқа арналған тұғырларды пайдаланыңыз. Тіреулердің дұрыс болмауы немесе құбырды қолмен тіреу аударылуға немесе шатысып жарақат алуға әкелуі мүмкін. Белгіленген тұғыр қуаттылығын асырмаңыз. Кескіш пен тұғыр бір жазықтықта болған кезде құбырды тіреу үшін RIDGID PC116TS құбыр тұғырын пайдаланыңыз.

Егер жұмыс үстелде немесе басқа биік жұмыс аумағында орындалса, құбырды тіреу үшін түрлі RIDGID құбыр тұғырларын пайдалануға болады. Егер PC116/PTC-400 құрылғысы жерде пайдаланылса, құбырды тіреу үшін RIDGID PC116TS құбыр тұғырын пайдаланыңыз. *3-суретті қараңыз.*



3-сурет — Тұғырды орналастыру



4-сурет — PC116TS тұғырын реттеу

PC116TS тұғыры/Реттеу

PC116TS тұғыры PC116/PTC-400 кескішімен пайдалануға арналған және өзге мақсатта пайдалануға арналмаған қосымша керек-жарақ болып табылады.

Дөңгелек бастарды құбыр өлшеміне келтіру үшін:

- Түймені басыңыз **A**
- Дөңгелек басты құбыр өлшемінің тиісті күйіне жылжытыңыз (*4-суретті қараңыз*) **B**
- Түймені босатыңыз — барынша орналастырылғанын растаңыз **C**

Тұғыр биіктігін реттеу үшін тұғыр басын көтеру немесе түсіру мақсатында муфтаны бұрыңыз. Тұғыр PC116/PTC-400 кескішімен бірдей тегіс бетке орналастырылуға арналған. *3-суретті қараңыз.* Егер қажет болса, тұғырды көтеру мақсатында жарамды төсемдерді (мысалы, ағаш) пайдалануға болады.

6. Құрылғы және құбыр айналасында кемінде 3 фут (1 м) аралықты қалдыру үшін қатынасты шектеңіз немесе қоршаулар орнатыңыз. Бұл қатысы жоқ тұлғалардың құрылғыға жақындауына жол бермейді және аударылу немесе шатысу қаупін азайтады.
7. Тиісті жұмыс күйін қамтамасыз ету үшін аяқ қосқышын *8-суретте* көрсетілгендей орналастырыңыз.
8. Қосқыш О-ӨШІРУ күйінде болған кезде сымды ашық жол бойымен жүргізіңіз. Құрғақ қолмен қуат сымын тиісті жерге тұйықталған шығысқа жалғаңыз. Барлық қосылымдарды құрғақ ұстаңыз және жердің бетінде жатқызбаңыз. Егер қуат сымы жеткілікті түрде ұзын болмаса, келесідей ұзартқыш сымдарды пайдаланыңыз:

- Жақсы күйдегі.
 - Электр құбыркескішіндегідей үш ұшты аша бар.
 - Сыртта пайдалануға арналған.
 - Сым өлшемі жеткілікті. Ұзындығы 50 футқа (15,2 м) дейінгі ұзартқыш сымдары үшін 14 AWG (2,5 мм²) немесе ауырлау сымды пайдаланыңыз. Ұзындығы 50-100 футқа (15,2 м - 30,5 м) дейінгі ұзартқыш сымдары үшін 12 AWG (2,5 мм²) немесе ауырлау сымды пайдаланыңыз.
9. Электр құбыркескішінің тиісті түрде жұмыс істеп тұрғанын тексеріңіз. Қолдарыңызды тигізбей:
 - Жылдамдық қосқышын I-ТӨМЕН жылдамдық күйіне жылжытыңыз. Аяқ қосқышты басыңыз және босатыңыз. Шығыршықтар *5-суреттегі көрсеткілер бағытында айналуы қажет.* Егер құрылғы дұрыс бағытта айналмаса немесе аяқ қосқышы құрылғы жұмысын басқармаса, оны жөндегенше құрылғыны пайдаланбаңыз.
 - Аяқ қосқышты басып тұрыңыз. Қозғалмалы бөлшектерде тура келмеушілік, қысылу, оғаш дыбыстар немесе басқа да қалыптыдан тыс жағдайлардың бар-жоқтығын тексеріңіз. Аяқ қосқыштан аяғыңызды шығарыңыз. Егер орынсыз жағдайлар анықталса, жөнделгенше құрылғыны пайдаланбаңыз.



5-сурет — Шығыршықты айналдыру бағыты

10. Жылдамдық қосқышын О-ӨШІРУ күйіне жылжытыңыз және құрғақ қолмен құрылғыны ажыратыңыз.

Пайдалану нұсқаулары

⚠ ЕСКЕРТУ



Электр құбыркескішін пайдаланған кезде қолғап немесе бос киім кимеңіз. Жеңдер мен күртелерді тағулы сақтаңыз. Құрылғыға қолыңызды созбаңыз. Киімді құрылғы тартып, нәтижесінде оралып қалуы мүмкін.

Қолдарыңызды шығыршықтар, үңгіш, кесу дөңгелегі және құбыр секілді айналатын бөліктерге тигізбеңіз. Құралды не құбырды қолдану алдында бөліктердің әбден тоқтауына мүмкіндік беріңіз. Бұл әдіс айналатын бөлшектердің шатысу ықтималдығын азайтады.

Құбырларды дұрыстап тіреңіз. Бұл құбыр мен жабдықтың аударылуы мен құлауынан орын алатын соғу және езу нәтижесіндегі жарақат алу қаупін азайтады.

Бір адам жұмыс үдерісін және аяқ қосқышын басқаруы керек. Құрылғы іске қосылған кезде жұмыс аумағында тек пайдаланушы болуы қажет. Бұл жарақат қаупін азайтуға көмектеседі.

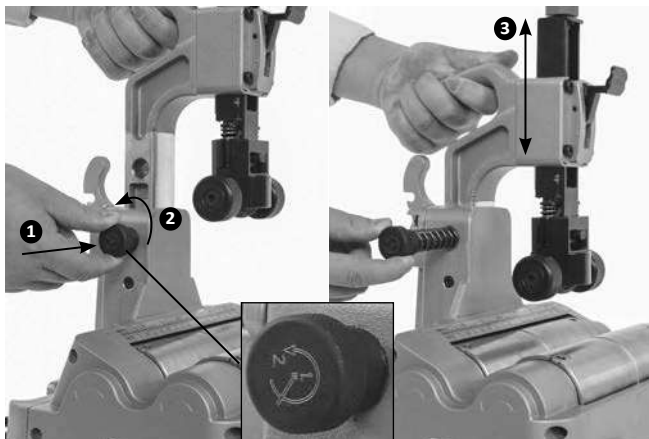
Электр тогының соғуынан, шатысудан, езілуден және басқа себептерге байланысты ауыр жарақат алу қаупін азайту және құрылғы зақымын болдырмау үшін пайдалану нұсқауларын орындаңыз.

Құрылғы мен жұмыс аумағы дұрыс орнатылғандығын және жұмыс аумағында бөгде адамдар және басқа алаңдататын заттардың жоқтығын тексеріңіз. Құрылғы пайдаланылатын аумақта тек оператор ғана болуы қажет.

Кескішті түрлі құбыр өлшемдеріне келтіру

Қосқыш өлшемін жылдам реттеу

Қосқыш өлшемін жылдам реттеу 2 дюйм (50 мм) және одан кіші және 2-4 дюйм (50 мм-100 мм) аралығындағы құбыр өлшемдері арасында жылдам реттеу үшін қамтамасыз етіледі.



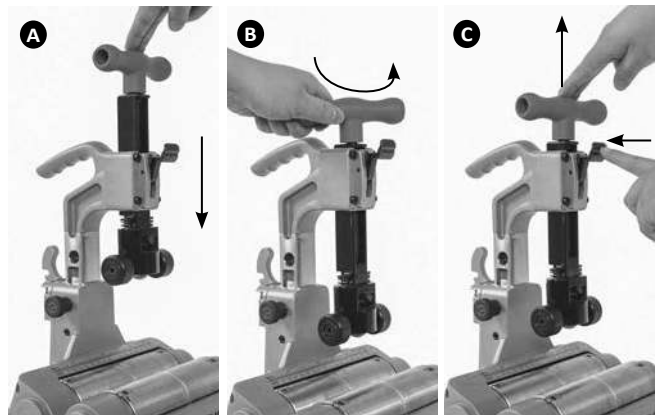
6-сурет — Қосқыш өлшемін жылдам реттеу

1. Құбыр кескіште болмаған кезде ұстағышты ұстаңыз және тұтқаны ақырын басып **1** және аздап сағат тілі бағытына қарсы бұрап, істікшені босатыңыз **2**. Тұтқа серіппелі және ішке тартылады, тұтқаның қозғалысын бақылаңыз. *6-суретті қараңыз.*
2. Ұстағышпен басты қажетті күйіне жылжытыңыз **3**.
3. Басты орнында ұстату үшін жылдам қосқыш тұтқасын енгізіңіз.

Беру кескішін жылдам реттеу

Осы беру кескішін жылдам реттеу кесу әрекеті кезінде кескішті жылжыту және ішке тарту үшін пайдаланылады.

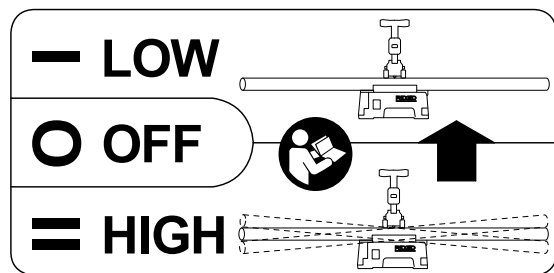
1. Кескіш дөңгелегін жылжыту үшін құбыр тіркелгенше тұтқаны басыңыз (*7A-сурет*).
2. Кескіш дөңгелегін ішке тарту үшін тұтқаны/беру бұрандасын 1-2 айналым босатыңыз (*7B-сурет*) және ішке тартылуы үшін басып босатыңыз (*7C-сурет*) (ол серіппелі — тұтқа қозғалысын бақылаңыз).



7-сурет — Жылдам беру: А-Жылжыту, В-Босату, С-Ішке тарту

Жұмыс жылдамдығын таңдау/ауыстыру

Электр құбыр кескішінде екі жұмыс жылдамдығы бар — ТӨМЕН және ЖОҒАРЫ, *8-суретті қараңыз.*



8-сурет — Жылдамдық жапсырмасы

ТӨМЕН жылдамдығы (I-Төмен қосқыш параметрі). Бұл пайдалану кезінде құбырдың дірілдеу және шайқалу уақымалдығын азайтады.

Диаметрі 2 дюйм (50 мм) және одан кіші және ұзындығы 6.5 футтан (2 м) асатын құбырға ұсынылады

ЖОҒАРЫ жылдамдығы (II-Жоғары қосқыш параметрі). Бұл кесу уақытын төмендетеді.

Кез келген ұзындықтағы диаметрі 2 дюймнен (50 мм) асатын құбыр үшін

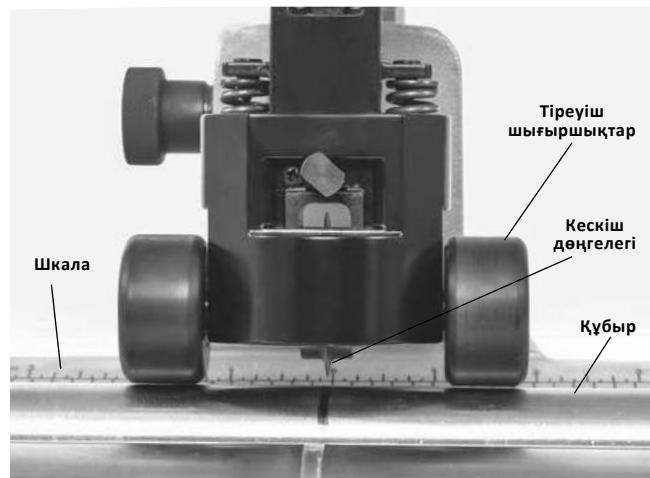
Ұзындығы 6.5 футтан (2 м) аз кез келген құбыр үшін

Құбырдың дірілдеуі мен шайқалуы көптеген факторларға байланысты, соның ішінде құбырдың ұзындығы, өлшемі, салмағы, туралығы, тұғырдың туралануы, шығыршық жылдамдығы, т.б. Егер кез келген уақытта құбырдың шамадан көп дірілдейтінін не шайқалатынын сезсеңіз, аяқ қосқышты босатыңыз. Егер II-Жоғары жылдамдығында болса, I-Төмен жылдамдығына ауыстырыңыз және әрекетті қайталаңыз. Егер I-Төмен жылдамдығында болса, қол кескіш секілді осы бөлшекті кесудің басқа әдісіне ауысыңыз.

Жылдамдықтарды ауыстыру үшін аяқ қосқышты босатыңыз және кескіштің барынша тоқтауын күтіңіз. Қосқышты қажетті күйіне жылжытыңыз. Құрылғы жұмыс істеп тұрған кезде жұмыс жылдамдығын ауыстырмаңыз.

Құбырды кесу

1. Құбырдың бүгілмегенін және ешбір фитинг тіркелмегенін байқаңыз. Бүгілген құбырларды немесе фитингтер бар құбырларды кесу артық дірілге және бақылауды жоғалтып алуға әкелуі мүмкін. Қажет болған кезде қол кескішті пайдаланыңыз. Құбырды қажетті ұзындығында белгілеңіз. Ыңғайлылық үшін құрылғыда өлшеу шкаласы берілген.
2. Егер қажет болса, қосқыш өлшемін жылдам реттеумен электр құбыррескішінің өлшем ауқымын реттеңіз.
3. Кесу белгісінің кескіш дөңгелегінің астында, шкаланың нөл белгісінде орналасатындай етіп, құбырларды шығыршықтарға орналастырыңыз. Егер құбыр құрылғы сыртына шығып кетсе, тіреулерді құбыр астына орналастырыңыз. Құбыр шығыршықтарда бір деңгейде орналасуы үшін тіреулерді реттеу қажет. Бұл кесуді тиісті түрде қадағалау мүмкіндігін береді. 3-суретті қараңыз.
4. Құрылғы және құбыр басқаруын сақтау үшін дұрыс жұмыс күйін таңдаңыз (10-суретті қараңыз):
 - Құралдарға және қосқышқа ыңғайлы қатынастың болуын тексеріңіз.
 - Аяқ қосқышын басқара алатыныңызды тексеріңіз. Аяқ қосқышты әлі баспаңыз. Апат орын алған жағдайда аяқ қосқышты босатып алуыңыз керек.
 - Орнықтылықты тексеріңіз және созылу қажет емес екеніне көз жеткізіңіз.
5. Тіреуіш шығыршықтар құбырға тигенше жылдам беру жүйесін жылжытыңыз (9-сурет). Кескіш дөңгелегін құбырдағы таңбамен туралаңыз. Кескіш дөңгелегін құбырмен жанастыру үшін беру бұрандасын қатайтыңыз. Кескіш дөңгелегі құбырға тигеннен кейін, құбырды қысу үшін беру бұрандасын қосымша 1-1½ айналым жылжытыңыз. Беру бұрандасын артық жылжытпаңыз, бұл құбырдың сопаюына және қылаудың түзілуін арттыруы мүмкін.



9-сурет — Тіреуіш шығыршықтарының құбырмен жанасуы

6. I-Төмен/O-ӨШІРУ/II-Жоғары қосқышын кесілетін құбырдың жарамды күйіне жылжытыңыз
7. Аяқ қосқышты басыңыз. Шығыршықтар және құбыр айнала бастайды. Қолдарыңызды айналатын бөліктерге тигізбеңіз.



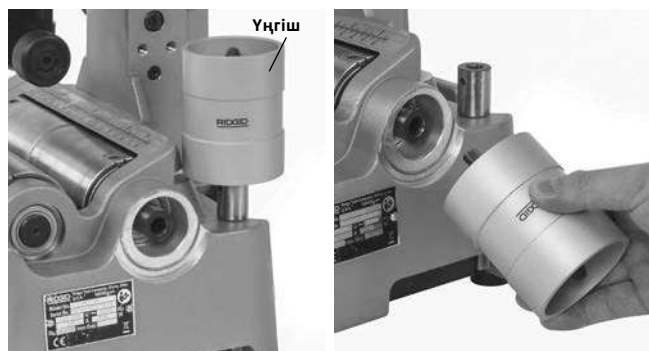
10-сурет — Құбырды кесу

8. Құбыр кесілгенше беру бұрандасын ақырын және үздіксіз қатайту арқылы беру бұрандасын жылжытыңыз. Қарқынды кесу кескіш дөңгелегін зақымдауы және артық қылауларға әкелуі мүмкін. Құбырды орнында ұстату үшін тіреуіш шығыршықтарды құбырмен жанасуын қамтамасыз етіңіз.

Егер кесілген кезде құбыр шиыршықталса, кесуді тоқтатыңыз және құрылғы реттелуін тексеріңіз, әсіресе құбыр тұғырларының туралануы. Түрлі құбыр материалдарында қадағалауды жақсарту мақсатында беру бұрандасын аздап тағы қатайту қажет болуы мүмкін.

9. Аяқ қосқыштан аяғыңызды шығарыңыз. Кейін І-Төмен/О-ӨШІРУ/І-Жоғары қосқышын О-ӨШІРУ күйіне жылжытыңыз.
10. Құбыр айналуын тоқтатқан кезде беру бұрандасын 1-2 айналым босатыңыз және кескіш дөңгелегін толық ішке тарту үшін босату түймесін басыңыз. Құбырды алып тастаңыз.

Құбырды үңгу



11-сурет — Үңгішті орнату

1. І-Төмен/О-ӨШІРУ/І-Жоғары қосқышын О-ӨШІРУ күйіне орналастырыңыз.
2. Үңгішті қойма күйінен алып тастаңыз және *11-суретте* көрсетілгендей пайдалану күйіне бекітіңіз. Үңгіштің барынша бекітілгенін растаңыз.
3. І-Төмен/О-ӨШІРУ/І-Жоғары қосқышын І-Төмен күйіне жылжытыңыз.
4. Аяқ қосқышты басыңыз. Қолдарыңызды құбыр шеттеріне және айналатын бөліктерге тигізбеңіз.
5. Құбырды барынша ұстаңыз. Бақылауды сақтап қалу үшін құбырды тиісті түрде тіреңіз.
6. Құбырды үңгіш конусына орналастырыңыз және құбыр шетіндегі қылауларды кетіру үшін ақырын күш салыңыз (*12-сурет*). Құбырды үңгішке күштеп енгізбеңіз, бұл үңгіштің құбырды ұстап, оны қолдарыңызда орауына әкелуі мүмкін.



12-сурет — Құбырды үңгу

7. Аяқ қосқыштан аяғыңызды шығарыңыз.
8. І-Төмен/О-ӨШІРУ/І-Жоғары қосқышын О-ӨШІРУ күйіне орналастырыңыз.
9. Үңгішті пайдалану күйінен алып тастаңыз және қойма күйіне қайтарыңыз.

Тасымалдау

1. Құлаудың немесе аударылудың алдын алу үшін жылжытпас бұрын құрылғыдан барлық бос жабдық пен материалды алып тастаңыз немесе бекітіңіз.
2. Кескіш дөңгелегін төмен күйіне орналастырыңыз.
3. Қуат сымын және аяқ қосқышы құбыршегін сым ілмегі айналасына ораңыз және *13-суретте* көрсетілгендей бекітіңіз.
4. Ұстағышпен көтеріңіз. Абайлап көтеріңіз және жылжытыңыз. Құрылғы салмағын ескеріңіз.



13-сурет — Оралған сым/құбыршек

Сақтау

⚠ ЕСКЕРТУ Электр құбыркескішін құрғақ күйде және жай ішінде немесе сыртта сақтаған кезде барынша жауып қою керек. Электр құбыркескішін балалардың және құрылғылармен таныс емес адамдардың қолы жетпейтін, құлыпталған аумақта сақтаңыз. Құрылғы тәжірибесі жоқ пайдаланушылардың қолында ауыр жарақатқа әкеліп соғуы мүмкін.

Техникалық қызмет көрсету нұсқаулары

⚠ ЕСКЕРТУ

Қызмет көрсетуді орындау немесе реттеулер жасау алдында **О-ӨШІРУ** қосқышының **О-ӨШІРУ** күйінде болғанына және құрылғының ажыратылғанына көз жеткізіңіз.

Электр тогының соғуынан, шатысудан және басқа себептерден жарақат алу қаупін азайту үшін кескішке осы рәсімдерге сәйкес қызмет көрсетіңіз.

Тазалау

Құрылғыны әрбір пайдаланудан кейін таза құрғақ шүберекпен ақырын тазалаңыз. Шығыршықтарды таза және қоқыссыз күйде ұстаңыз.

Үңгішті барынша тиімділігі үшін таза және жоңқасыз күйде ұстаңыз.

Қозғалтқыштың желдету саңылауларынан шаң мен қоқысты тазалап кетіріңіз.

Майлау

Ай сайын (немесе қажетінше жиірек) Электр құбыркескішінің және PC116TS тұғырының барлық ашық айналатын бөліктерін (соның ішінде беру бұрандасы, жылдам беру жүйесі, шығыршықтар және айналдыру нүктелері) жеңіл жақпа маймен майлаңыз. Ашық беттерден артық майды сүртіп алыңыз.

Кескіш дөңгелегін ауыстыру

Тиісті кесу дөңгелегін таңдау бойынша *Техникалық сипаттар* бөлімін қараңыз. Түрлі материалдарды кескен кезде кескіш дөңгелегін ауыстырыңыз, кесу жиегі жоңқаланған немесе жазық болған кезде кескіш дөңгелегін ауыстырыңыз. Құрылғыда қосымша кескіш дөңгелегін сақтап қоюға болады. *13-суретті* қараңыз.

1. Байланыстыру істікшесін алып тастаңыз. Дөңгелек ұстағыш босап түседі (*14-сурет*).



14-сурет — Дөңгелек ұстағышты алып тастау

2. Дөңгелек істікшесін және кескіш дөңгелегін/ мойынтірегін алып тастаңыз (*15-сурет*).
3. Мойынтіректі тексеріңіз. Мойынтірек еркін қозғалуы қажет. Қажетінше ауыстырыңыз.
4. Кескіш дөңгелегін орнату үшін үдерісті кері орындаңыз.



15-сурет — Кескіш дөңгелегін ауыстыру

Қозғалтқыштың артық токтан қорғауы

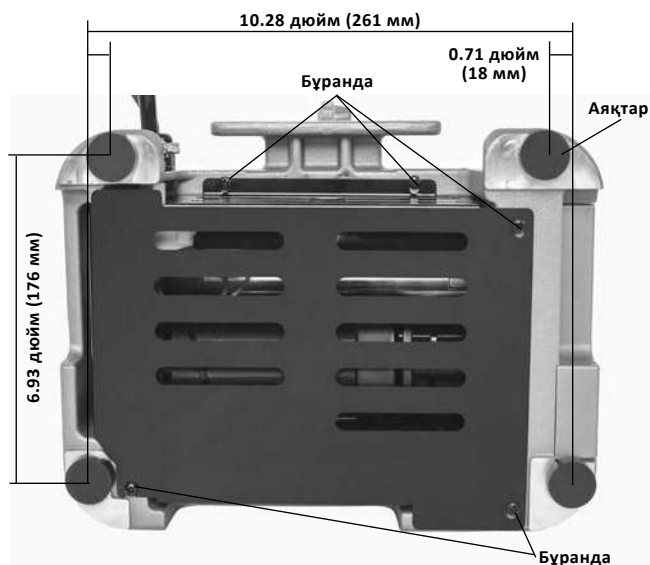
Кескіш артық ток берілген кезде қозғалтқышты қорғау мақсатында құрылғыны өшіретін артық токтан қорғаумен жабдықталған.

Егер құрылғы күтпеген жерден өшіп қалса, аяқ қосқышты босатыңыз. Қосқышты О-ӨШІРУ күйіне орналастырыңыз және құрылғыны ажыратыңыз. Құрылғыдан кез келген құбырды алып тастаңыз. Құрылғының тиісті түрде жұмыс істейтінін растау үшін Пайдалану алдындағы тексеру және Жұмыс аумағын әзірлеу бөлімдерін ұстанаңыз.

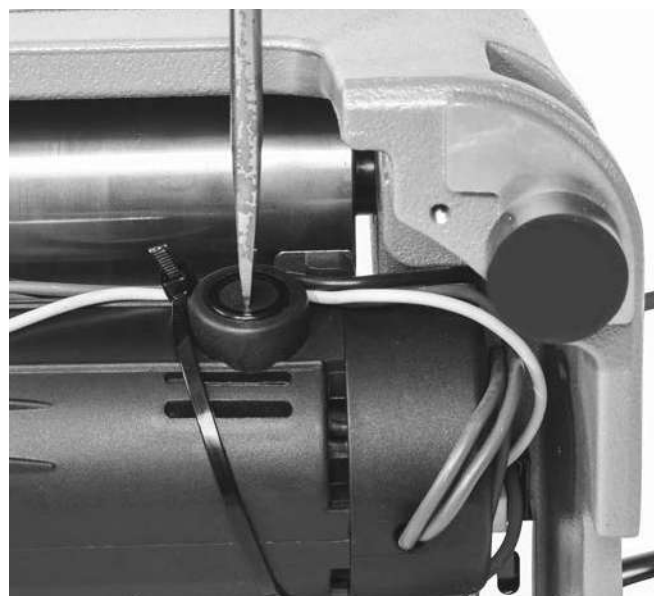
Қозғалтқыш қылшақтарын ауыстыру

Қозғалтқыш қылшақтарын алты ай сайын тексеріп тұрыңыз, ұзындығы 5 мм (0.2 дюйм) кем болса, қылшақтарды ауыстыру қажет.

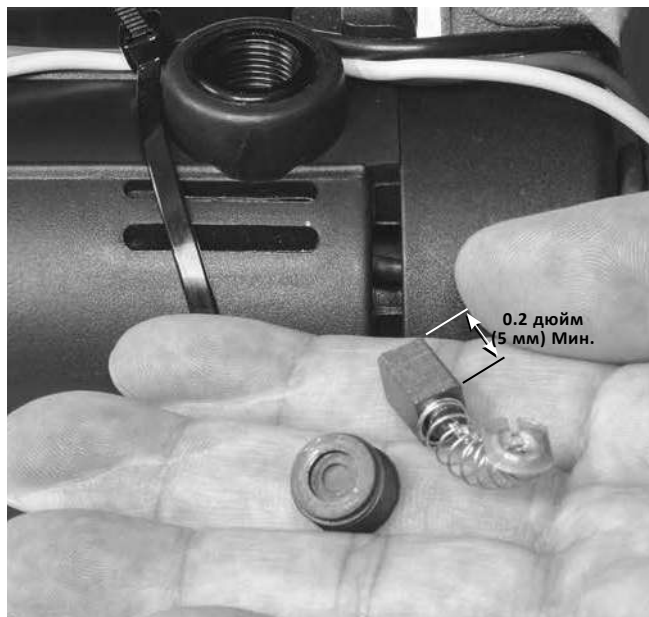
1. Қосқыштың О-ӨШІРУ күйінде және құрылғының ажыратылғанын растаңыз.
2. Төменгі қақпақты ұстап тұратын бес бұранданы босатыңыз (16-сурет) және қақпақты шешіңіз (Кейбір бұрандалар қақпақта қалады).
3. Бұранданы шешу үшін бұрағышты пайдаланыңыз және қылшақ қақпақтарын алып тастаңыз (17-сурет). Көміртекті қылшақтарды ақырын алыңыз және ұзындығын тексеріңіз (18-сурет). Егер қылшақ ұзындығы 5 мм (0.2 дюйм) кем болса, қылшақтарды ауыстырыңыз.
4. Қылшақ қойындыларын қылшақ ұстағышындағы тығындармен тиісті түрде туралап, қылшақты қылшақ ұстағышқа енгізіңіз.
5. Қылшақ қақпақтарын барынша қатайтыңыз. Төменгі қақпақты қайта орнатыңыз.
6. Құрылғы қайта құрылған кезде құрылғыда ешбір құбырсыз құрылғыны бес минут бойы II-Жоғары жылдамдығында жұмыс істетіңіз.



16-сурет — Төменгі қақпақ бұрандалары



17-сурет — Қылшақ қақпағын шешу



18-сурет — Қылшақ ұзындығын тексеру

PC116/PTC-400 анықтамалығына және бейнесіне қатынасу үшін төмендегі QR кодын сканерлеңіз.



Ақаулықтарды жою

АҚАУЛЫҚ	ЫҚТИМАЛ СЕБЕПТЕРІ	ШЕШІМІ
Пайдалану кезіндегі артық діріл.	Жұмыс жылдамдығын дұрыс емес.	<i>Жұмыс жылдамдығын таңдау бөлімін қараңыз</i>
	Бүгілген құбырды кесу.	Бүгілгені байқалатын құбырды кеспеңіз. Қол кескішті пайдаланыңыз.
	Ұзын құбыр дұрыс тірелмеген.	Ұзын құбырды құбыр тұғырларымен тіреңіз.
	Құрылғы дұрыс бекітілмеген.	Құрылғыны тегіс бетке тиісті түрде бекітіңіз, бекіту бұрандамаларымен қатайтыңыз.
Құрылғы құбырларды тиісті түрде кеспейді.	Кескіш дөңгелегі тозған.	Тозған кескіш дөңгелегін ауыстырыңыз.
	Тиісті құбыр өлшемінде не материалда пайдаланбау.	Тиісті құбыр түрінде пайдаланыңыз (<i>Техникалық сипаттар</i> бөлімін қараңыз).
Құрылғы кескен кезде тұрып қалады.	Кескен кезде кескіш дөңгелегі қарқынды беріледі.	Кескіш дөңгелегін ақырын беріңіз.
Құрылғы жұмыс істемейді.	Қозғалтқыш қылшақтары тозған.	Жаңа қозғалтқыш қылшақтарын орнатыңыз.
	Артық токтан қорғау іске қосылған.	<i>Техникалық қызмет көрсету бөліміндегі Қозғалтқыштың артық тогы нұсқауларын орындаңыз.</i>
Құбырдың артық қылаулары немесе шеткі деформациясы.	Тозған не зақымдалған кескіш дөңгелегі.	Кескіш дөңгелегін ауыстырыңыз.
	Кескен кезде кескіш дөңгелегі қарқынды беріледі.	Кескіш дөңгелегін ақырын беріңіз.
Құрылғы аяқ қосқышы басылған кезде тоқтайды. Аяқ қосқыш қайта басылған кезде қайта іске қосылады.	Аяқ қосқыштағы/құбыршектегі саңылау.	Аяқ қосқышты ауыстырыңыз.
	Ауа қосқышының жылыстауы.	Егер аяқ қосқышында/құбыршегінде ешбір мәселе анықталмаса, ауа қосқышын ауыстыртыңыз.

Қызмет көрсету және жөндеу
⚠ ЕСКЕРТУ

Орынсыз қызмет көрсету немесе жөндеу құрылғы пайдалануын қауіпті етуі мүмкін.

Техникалық қызмет көрсету нұсқаулары осы құрылғының көптеген қызметтік қажеттіліктерін қамтиды. Осы бөлімде қамтылмаған кез келген мәселелерді RIDGID тәуелсіз қызмет көрсету орталығы ғана шешуі қажет. Тек RIDGID қызмет бөлшектерін пайдаланыңыз.

Жақын жердегі RIDGID тәуелсіз қызмет көрсету орталығы туралы ақпарат алу немесе қандай да бір қызмет немесе жөндеу туралы сұрақтар қою үшін осы нұсқаулықтың *Байланыс ақпараты* бөлімін қараңыз.

Қосымша жабдық

⚠ ЕСКЕРТУ

Ауыр дене жарақаты қаупін азайту үшін көрсетілген PC116/PTC-400 электр құбыркескішімен пайдалануға арнайы жасақталған және кеңес етілген қосалқы құралдарды ғана пайдаланыңыз.

Каталог нөмірі	Сипаттама
64903	PC116/PTC-400 құрылғысымен пайдалануға арналған PC116TS құбыр тұғыры
66253	PC116 220-240 В қозғалтқыштың көміртекті қылшағы
66248	PC116 100-120 В қозғалтқыштың көміртекті қылшағы
56662	VJ-99 28 дюйм - 52 дюйм V-басты жоғары құбыр тұғыры
64908	PC116/PTC-400 құрылғысына арналған 137S үңгіші
66938	E850 кескіш дөңгелегі (Металды құбыр үшін)
66943	E855 кескіш дөңгелегі (Пластик құбыр үшін)
64898	Кескіш дөңгелегінің мойынтірегі

Осы құралдар үшін қол жетімді RIDGID жабдығының толық тізімі үшін Ridge Tool электрондық каталогын RIDGID.com торабында қараңыз немесе *Байланыс ақпараты бөлімін* қараңыз.

Тастау

Осы құралдар бөліктерінде құнды материалдар бар және оларды қайта өңдеуге болады. Жергілікті жерде орналасқан қайта өңдеумен айналысатын компаниялар бар. Құрамдастарды барлық қолданылатын талаптарға сәйкес кәдеге жаратыңыз. Қосымша ақпарат алу үшін жергілікті қалдықтарды реттеу ұйымына хабарласыңыз.



ЕО елдері үшін: Электр жабдығын тұрмыстық қоқыстармен бірге тастамаңыз!

Еуропа елдерінің 2012/19/EU Қалдық электр және электрондық жабдық бойынша нұсқаулығына және оның ұлттық заңдарға ендірілуіне сәйкес, бұдан әрі пайдаланылмайтын электр жабдығы жеке жиналып, қоршаған ортаға зиян келтірмейтіндей тасталуы керек.

RIDGID® PC116/PTC-400 Power Tubing Cutter

RIDGE TOOL COMPANY
400 Clark Street
Elyria, Ohio 44035-6001
U.S.A.

Ridge Tool Europe NV (RIDGID)
Schurhovenveld 4820
3800 Sint-Truiden
Belgium

EC DECLARATION OF CONFORMITY

We declare that the machines listed above, when used in accordance with the operator's manual, meet the relevant requirements of the Directives and Standards listed below.

DÉCLARATION DE CONFORMITÉ CE

Nous déclarons que lorsqu'elles sont utilisées selon leur mode d'emploi, les machines indiquées ci-dessus répondent aux exigences applicables des directives et normes ci-après.

DECLARACIÓN DE CONFORMIDAD DE LA CE

Declaramos que las máquinas listadas más arriba, cuando se usan conforme al manual del operario, cumplen con los requisitos pertinentes de las directrices y normas listadas a continuación.

PROHLÁŠENÍ O SHODĚ ES

Prohlašujeme, že výše uvedené nástroje a zařízení splňují při použití v souladu s jejich návodem k obsluze příslušné požadavky níže uvedených směrnic a nařízení.

EF-OVERENSSTEMMELSESERKLÆRING

Vi erklærer, at de ovenfor anførte maskiner, ved brug i overensstemmelse med brugervejledningen, opfylder de relevante krav i de nedenfor anførte direktiver og standarder.

EG KONFORMITÄTSESKLÄRUNG

Wir erklären, dass die oben aufgeführten Maschinen, wenn sie entsprechend der Bedienungsanleitung verwendet werden, die einschlägigen Anforderungen der folgenden Richtlinien und Normen erfüllen.

ΔΗΛΩΣΗ ΣΥΜΜΟΡΦΩΣΗΣ ΕΚ

Δηλώνουμε ότι τα μηχανήματα που αναφέρονται παραπάνω, όταν χρησιμοποιούνται σύμφωνα με το εγχειρίδιο χειρισμού, πληρούν τις σχετικές απαιτήσεις των παρακάτω Οδηγιών και Προτύπων.

EY-VAATIMUSTENMUKAISUUSVAKUUTUS

Vakuutamme, että edellä luetellut koneet täyttävät käyttöohjekirjan mukaisesti käytettynä seuraavien direktiivien ja standardien vaatimukset.

EU IZJAVA O SUKLADNOSTI

Izjavljujemo da su gore navedeni strojevi, kada se koriste u skladu s priručnikom za korisnike, sukladni s relevantnim zahtjevima dolje navedenih direktiva i standarda.

EK MEGFELELŐSÉGI NYILATKOZAT

Kijelentjük, hogy a fent felsorolt gépek - amennyiben a kezelési útmutatónak megfelelően használják őket - megfelelnek az alább felsorolt irányelvek és Szabványok követelményeinek.

DICHIARAZIONE DI CONFORMITÀ CE

Dichiariamo che le macchine elencate in alto, se utilizzate in conformità con il manuale dell'operatore, soddisfano i relativi requisiti delle Direttive e degli Standard specificati di seguito.

EO СӘЙКЕСТІК МӘЛІМДЕМЕСІ

Біз жоғарыда көрсетілген құрылғылардың пайдаланушы нұсқаулығына сәйкес пайдаланылған жағдайда төменде көрсетілген Директивалар мен Стандарттардың тиісті талаптарына жауап беретінін мәлімдейміз.

EG-CONFORMITEITSVERKLARING

Hierbij verklaren wij dat de hierboven vermelde machines, mits gebruikt in overeenstemming met de handleiding, voldoen aan de relevante eisen van de hieronder vermelde richtlijnen en normen.

CE-SAMSVARERKLÆRING

Vi erklærer at maskinene oppført over oppfyller de relevante kravene i direktiver og standarder oppført under dersom de brukes i henhold til bruksanvisningen.

DEKLARACJA ZGODNOŚCI WE

Deklarujemy, że maszyny wymienione powyżej, gdy są używane zgodnie z podręcznikiem użytkownika, spełniają właściwe wymagania Dyrektyw i Standardów, wymienione poniżej.

DECLARAÇÃO DE CONFORMIDADE CE

Declaramos que as máquinas listadas acima, quando utilizadas de acordo com o manual do operador, cumprem os requisitos relevantes das Diretivas e Normas listadas abaixo.

DECLARAȚIE DE CONFORMITATE CE

Declarăm că mașina specificată mai jos, atunci când este utilizată în conformitate cu manualul de exploatare, îndeplinește cerințele relevante ale Directivelor și standardelor specificate mai jos.

ДЕКЛАРАЦИЯ СООТВЕТСТВИЯ ЕС

Мы заявляем, что инструменты, перечисленные выше, при условии использования согласно руководству по эксплуатации, отвечают соответствующим требованиям указанных ниже директив и стандартов.

ES PREHLÁŠENIE O ZHODE

Vyhlasujeme, že stroje uvedené vyššie spĺňajú relevantné požiadavky smerníc za korisníka uvedených nižšie, ak sa používajú podľa návodu na použitie.

IZJAVA ES O SKLADNOSTI

Izjavljamo, da zgoraj omenjeni stroji, ko se uporabljajo skladno z uporabniškim priručnikom, izpolnjujejo relevantne zahteve spodaj omenjenih direktiv in standardov.

EC DEKLARACIJA O USAGLAŠENOSTI

Izjavljujemo da gore navedeni strojevi, ako se koriste u skladu s priručnikom za korisnike, zadovoljavaju relevantne zahteve direktiva i standarda koji se navode dole.

EG-FÖRSÄKRAN OM ÖVERENSSTÄMMELSE

Vi meddelar att maskinen som anges ovan uppfyller de aktuella kraven i de angivna direktiven och standarderna nedan när den används enligt bruksanvisningen.

AB UYGUNLUK BEYANI

Yukarıda listelenen makinelerin, kullanıcı kılavuzuna göre kullanıldığında, aşağıda listelenen Direktiflerin ve Standartların ilgili gereksinimlerini karşıladığını beyan ederiz.

EÜ VASTAVUSDEKLARATSIOON

Kinnitame, et eelpool loetletud masinad vastavad allpool loetletud direktiivide ja standardite asjakohastele nõuetele, kui neid kasutatakse vastavalt kasutusjuhendile.

EK ATBILSTĪBAS DEKLARĀCIJA

Mēs apliecinām, ka iepriekšminētās iekārtas, izmantojot tās saskaņā ar operatora rokasgrāmatu, atbilst attiecīgajām tālāk norādīto direktīvu un standartu prasībām.

DEARBHÚ COMHRÉIREACHTA AN CE

Fógraímid go bhfuil na hinnill sa liosta thuas i gcomhréir le riachtanais ábhartha na dTeoracha agus na gCaighdeán sa liosta thíos, ach iad a úsáid de réir an lámhleabhair don oibreoir.

EB ATITIKTIES DEKLARACIJA

Deklaruojame, kad pirmiau išvardytos mašinos, jei naudojamos pagal naudotojų vadovą, atitinka atitinkamus toliau išvardytą direktivų ir standartų reikalavimus.

EO ДЕКЛАРАЦИЯ ЗА СЪОТВЕТСТВИЕ

Декларираме, че изброените по-горе машини, когато се използват в съответствие с Ръководство за оператора, отговарят на съответните изисквания на директивите и стандартите, изброени по-долу.



2006/42/EC, 2014/35/EU, 2014/30/EU, 2011/65/EU
IEC 62841-1, EN55014-1, EN55014-2, IEC61000-3-2, IEC61000-3-3



Conforms to UL 62841-1
Certified to CSA C22.2#62841-1-15, 45CFR15B/ICES 003



Signature: *Kron dorfer*
Name: Harald Krondorfer
Qualification: V.P. Engineering
Date: 12/01/2020



FULL LIFETIME WARRANTY (garantie légale étendue à la durée de vie du produit,
voir conditions de garantie / legal warranty extended to the product lifecycle,
see warranty conditions)

**For Warranty Information for your World Region
visit RIDGID.com**

Ridge Tool Europe NV (RIDGID)

Ondernemerslaan 5428

3800 Sint-Truiden

Belgium

Tel.: +32 (0)11 598 620

RIDGID.com

© 2020 RIDGID, Inc.

The Emerson logo and RIDGID logo are registered trademarks of Emerson Electric Co. or RIDGID, Inc. in the U.S. and other countries.
All other trademarks belong to their respective holders.

944-732-258.09
REV. C

RIDGID


EMERSON